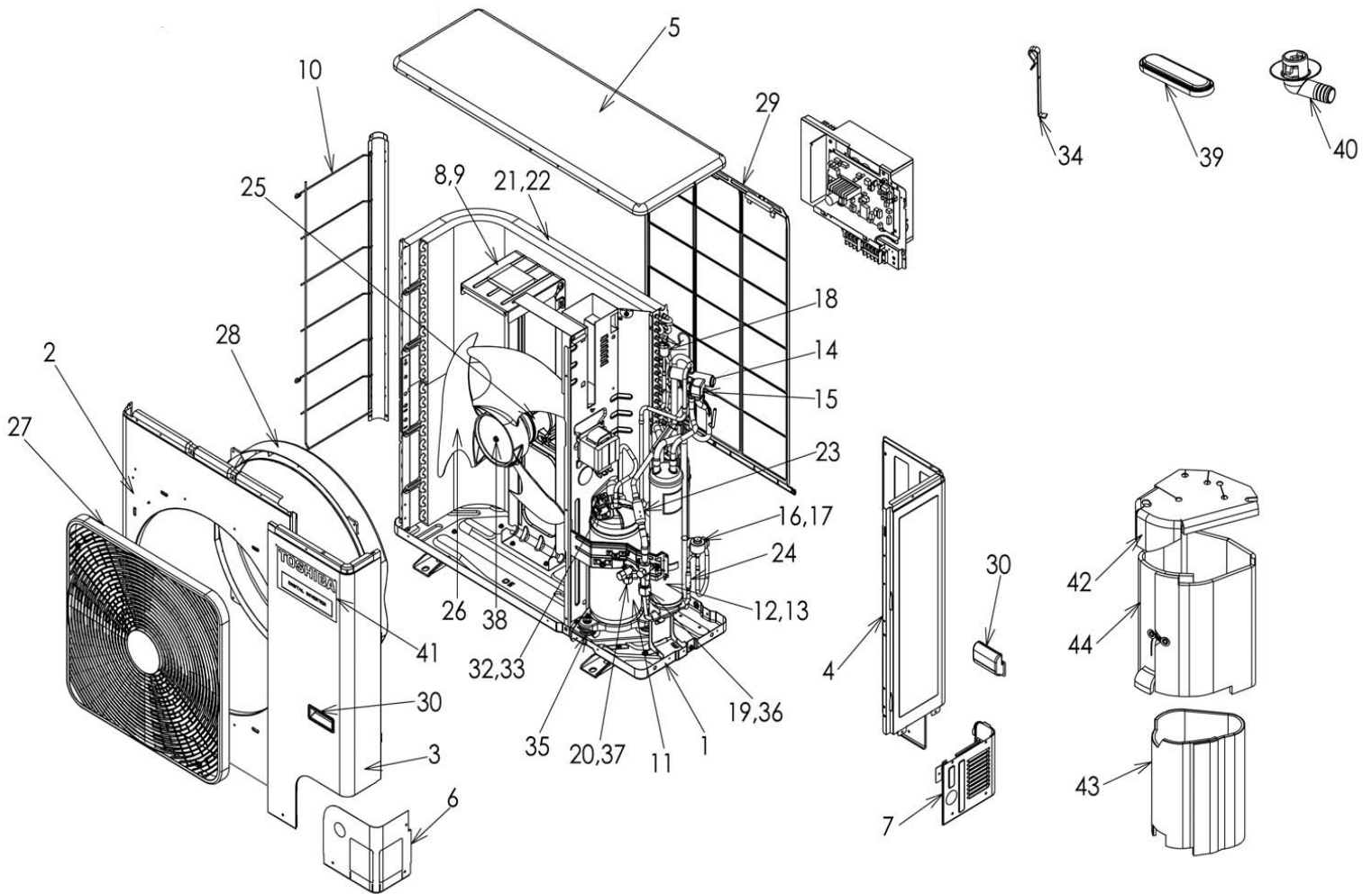


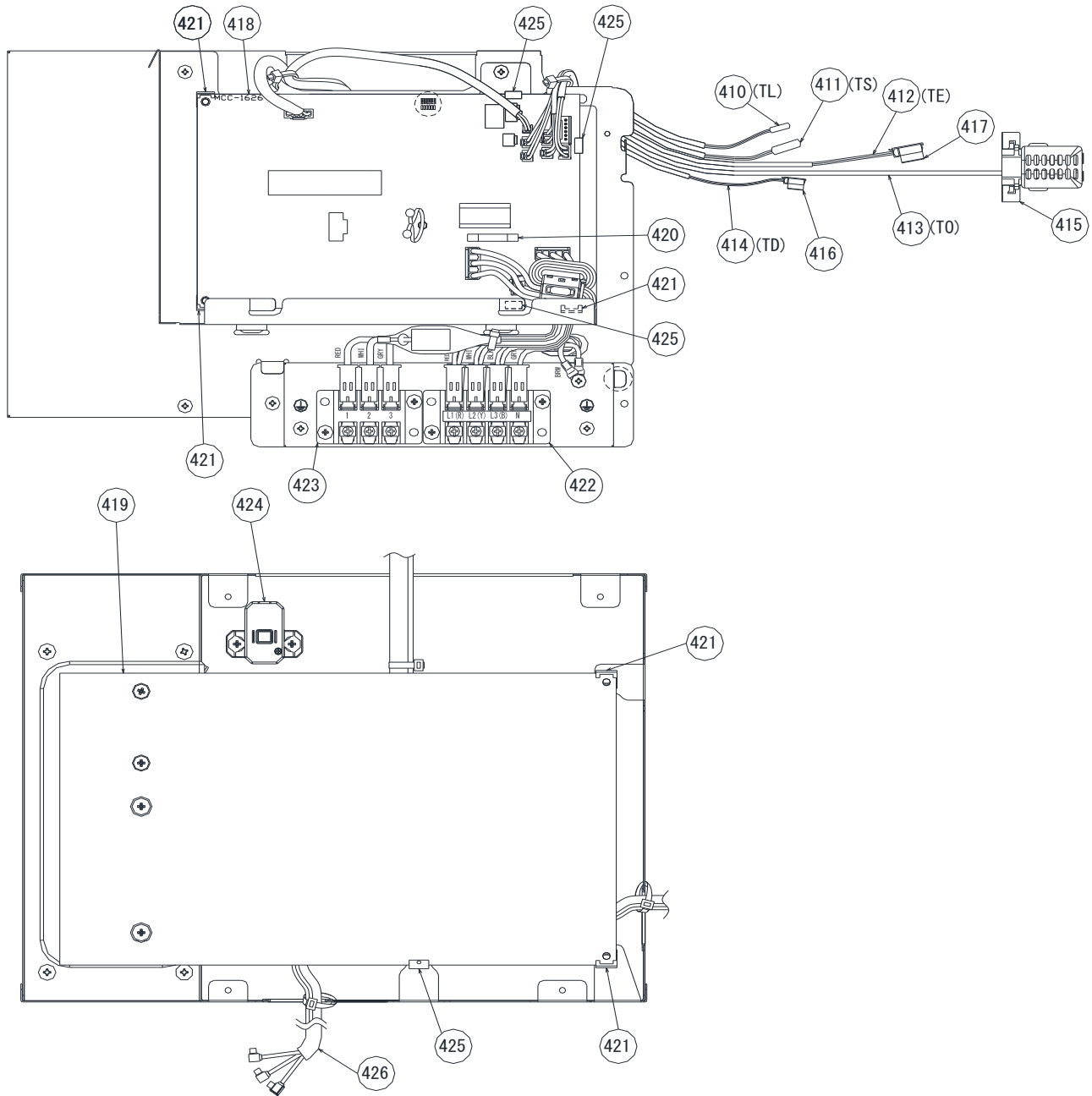
11. EXPLODED VIEWS AND PARTS LIST

11-1. RAV-GM1101AT8P-E, GM1101AT8JP-E, GM1101AT8P-TR
 RAV-GM1401AT8P-E, GM1401AT8JP-E, GM1401AT8P-TR



Location No.	Parts No.	Description	RAV-GM					
			1101 AT8P-E	1401 AT8P-E	1101 AT8P-TR	1401 AT8P-TR	1101 AT8JP-E	1401 AT8JP-E
1	43T42351	ASM-BASE	1	1	1	1	1	1
2	43T00606	ASM-COAT-C-A-T	1	1	1	1	1	1
3	43T00601	ASM-PANEL-FRONT	1	1	1	1	1	1
4	43T00607	ASM-COAT-P-S-R	1	1	1	1	1	1
5	43T00611	ASM-CABI-UP	1	1	1	1	1	1
6	43T00608	ASM-COAT-P-P-FR	1	1	1	1	1	1
7	43T00609	ASM-COAT-P-P-BK	1	1	1	1	1	1
8	43T39342	MOTOR BASE	1	1	1	1	-	-
9	43T39349	ASM-COAT-BASE-M	-	-	-	-	1	1
10	43T19346	FIN GUARD ASSEMBLY	1	1	1	1	1	1
11	43T41538	COMPRESSOR	1	1	1	1	1	1
12	43T46383	ACCUMULATOR ASSEMBLY	1	1	1	1	-	-
13	43T48322	ACCUMULATOR ASSEMBLY	-	-	-	-	1	1
14	43T46383	VALVE-4WAY	1	1	1	1	1	1
15	43T63337	4 WAY VALVE COIL ASSEMBLY	1	1	1	1	1	1
16	43T46387	VALVE PULSE MODULATING	1	1	1	1	1	1
17	43T63372	COIL-PMV	1	1	1	1	1	1
18	43T63370	SWITCH PRESSURE	1	1	1	1	1	1
19	43T46381	VALVE;BALL 15.88 DIA	1	1	1	1	1	1
20	43T46380	VALVE;PACKED 9.52 DIA	1	1	1	1	1	1
21	43T43589	CONDENSER ASSEMBLY	1	1	1	1	-	-
22	43T43590	CONDENSER ASSEMBLY	-	-	-	-	1	1
23	43T47372	STRAINER	1	1	1	1	1	1
24	43T47396	STRAINER	1	1	1	1	1	1
25	43T60478	ASM-SERV-MOT	1	1	1	1	1	1
26	43T20352	FAN-PR (PB522)	1	1	1	1	1	1
27	43T19372	FAN GUARD (TOSHIBA)	1	1	1	1	1	1
28	43T22313	BELLMOUTH	1	1	1	1	1	1
29	43T19345	FIN GUARD	1	1	1	1	1	1
30	43T71302	HANDLE	2	2	2	2	2	2
32	43T54319	BIMETAL-THERMO	1	1	1	1	1	1
33	43T50307	HOLDER-THERMO	1	1	1	1	1	1
34	43T19333	HOLDER SENSOR	1	1	1	1	1	1
35	43T49346	RUBBER CUSHION	3	3	3	3	3	3
36	43T47410	BONNET (15.9D)	1	1	1	1	1	1
37	43T47404	BONNET (9.52D)	1	1	1	1	1	1
38	43047669	NUT FLANGE	1	1	1	1	1	1
39	43089160	CAP WETERPROOF	5	5	5	5	5	5
40	43T79305	DRAIN NIPPLE	1	1	1	1	1	1
41	43T85553	MARK-T	1	1	1	1	1	1
42	43T04314	SOUND-INSU(UP)	1	1	1	1	1	1
43	43T04312	SOUND-INSU(IS)	1	1	1	1	1	1
44	43T04313	SOUND-INSU(OS)	1	1	1	1	1	1

Inverter assembly



Location No.	Part No.	Description	Model name RAV-GM	
			1101AT8P-E 1101AT8JP-E 1101AT8JP-TR	1401AT8P-E 1401AT8JP-E 1401AT8JP-TR
410	43T50335	TEMPERATURE SENSOR	1	1
411	43T50336	TEMPERATURE SENSOR	1	1
412	43T50338	TEMPERATURE SENSOR	1	1
413	43T50337	TEMPERATURE SENSOR,TO	1	1
414	43T50346	TEMPERATURE SENSOR	1	1
415	43T63335	SENSOR HOLDER	1	1
416	43T63317	HOLDER,SENSOR	1	1
417	43T63316	HOLDER,SENSOR	1	1
418	43T6W756	PC BOARD ASSY CDB (MCC-1626)	1	-
418	43T6W757	PC BOARD ASSY CDB (MCC-1626)	-	1
419	43T6W389	PC BOARD ASSY IPDU	1	1
420	43T60413	FUSE	1	1
421	43T95301	SUPPORT, SPACER	5	5
422	43T60419	TERMINAL;4P	1	1
423	43T60331	TERMINAL, 3P	1	1
424	43T50345	THERMISTOR,PTC	1	1
425	43T95302	SPACER(EDGE)	4	4
426	43T60479	WIRE ASSY(COMP LEAD)	1	1
427	43T63323	HOLDER,SENSOR	1	1