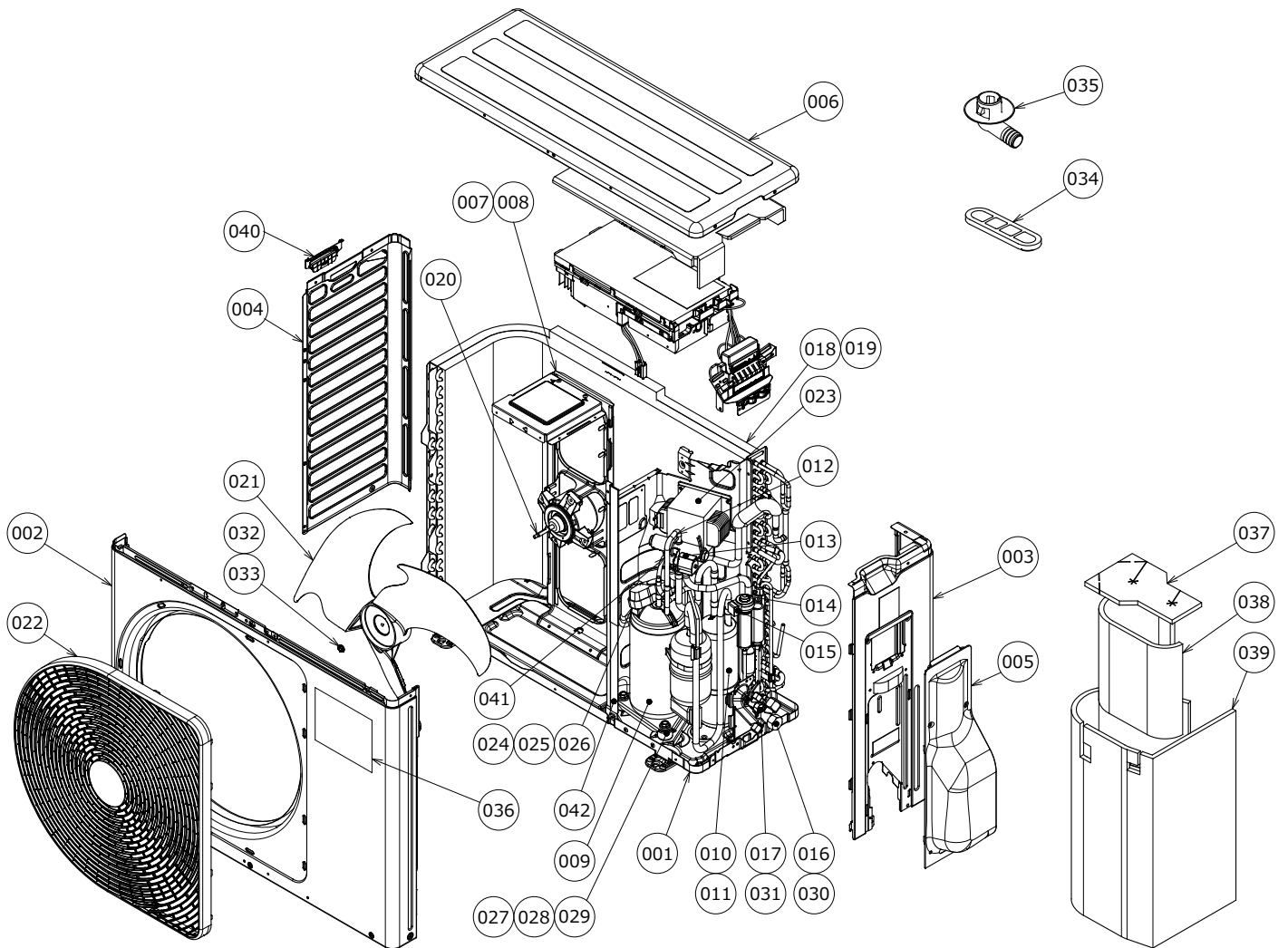


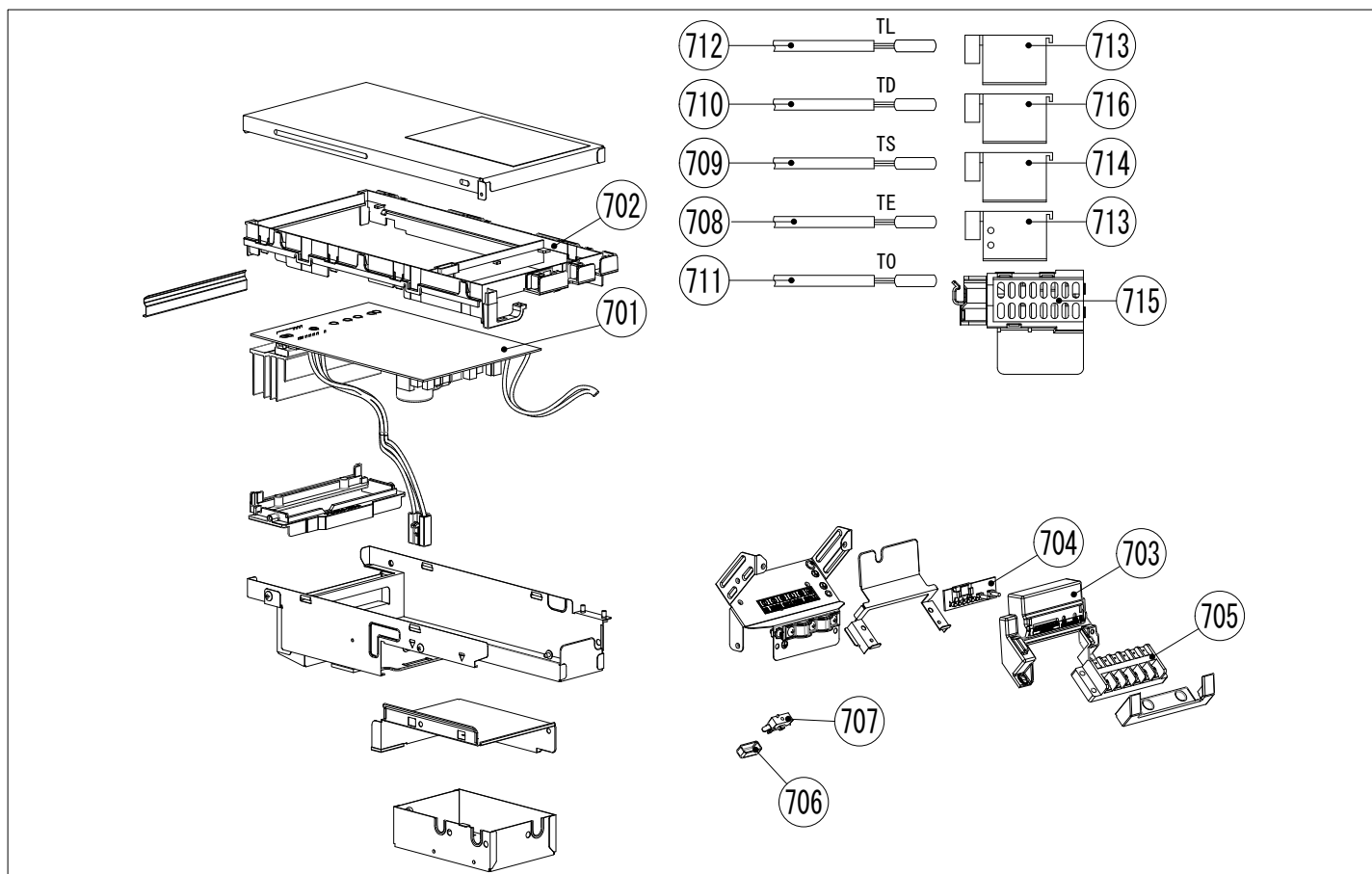
11. EXPLODED VIEWS AND PARTS LIST

11-1. RAV-GP561ATP*



Location No.	Part No.	Description	RAV-		
			GP561ATP-E	GP561ATP-TR	GP561ATJP-E
001	43T42354	ASM-COAT-S-BASE	1	1	1
002	43T00745	ASM-CABI-F-S	1	1	1
003	43T00746	ASM-CABI-SIDE-R	1	1	1
004	43T00747	ASM-COAT-C-S-L	1	1	1
005	43T19352	ASM-COVER-PV	1	1	1
006	43T00748	ASM-CABI-U	1	1	1
007	43T39396	ASM-M-BASE	1	1	
008	43T39397	ASM-M-BASE			1
009	43T41541	COMP-ASSY	1	1	1
010	43T48302	ASM-ACCUM	1	1	
011	43T48303	ASM-ACCUM			1
012	43T46383	VALVE-4WAY	1	1	1
013	43T63352	COIL-V-4WAY	1	1	1
014	43T46469	BODY PMV	1	1	1
015	43T63360	COIL PMV	1	1	1
016	43T46427	VALVE;PACKED 12.7 DIA	1	1	1
017	43T46358	VALVE;PACKED 6.35 DIA	1	1	1
018	43T43595	ASM-WORK-COND	1	1	1
020	4302C119	MOTOR-FAN	1	1	1
021	43T20331	PROPELLER FAN	1	1	1
022	43T19371	FAN GUARD	1	1	1
023	43T58340	REACTOR	1	1	1
024	43T60439	ASM-COMP-LEAD	1	1	1
025	43T54319	BIMETAL-THERMO	1	1	1
026	43T50307	HOLDER-THERMO	1	1	1
027	43T47354	BOLT COMPRESSOR	1	1	
028	43T47413	BOLT COMPRESSOR			1
029	43T49335	RUBBER CUSHION	3	3	3
030	43T47405	BONNET, 12.7 DIA	1	1	1
031	43T47403	BONNET, 6.35 DIA	1	1	1
032	43T47001	NUT FLANGE	1	1	
033	43T39346	NUT FLANGE			1
034	43089160	CAP, WATERPROOF	2	2	2
035	43T79305	DRAIN NIPPLE	1	1	1
036	43T85529	MARK-T	1	1	1
037	43T04372	S-INSU(UP)	1	1	1
038	43T04355	SOUND INSULATION(IS)	1	1	1
039	43T04373	SOUND-INSU(OS)	1	1	1
040	43T19360	HANDLE	1	1	1
041	43T63359	SWITCH, PRESSURE	1	1	1
042	43T00749	ASM-PARTITION	1	1	1

<Inverter assembly>



Location No.	Parts No	Description	RAV-
			GP561ATP*
701	43T6W345	PC BOARD ASSY	1
702	43T61325	BASE,PC BORAD	1
703	43T61320	BASE, PC BOARD	1
704	43T6V418	PC BOARD ASSY(MCC-1646)-LED	1
705	43T60423	SERV-TERMINAL	1
706	43T60426	FUSE	1
707	43T60425	FUSE HOLDER	1
708	43T50352	TEMPERATURE SENSOR (THAILAND)	1
709	43T50353	TEMPERATURE SENSOR (THAILAND)	1
710	43T50334	TEMPERATURE SENSOR)	1
711	43T50337	TEMPERATURE SENSOR,TO (Thailand)	1
712	43T50379	TEMPERATURE SENSOR(TL)	1
713	43T63318	HOLDER SENSOR	2
714	43T63323	HOLDER,SENSOR	1
715	43T63319	HOLDER,SENSOR	1
716	43T63317	HOLDER,SENSOR	1

TOSHIBA CARRIER (THAILAND) CO., LTD.

**144/9 MOO 5, BANGKADI INDUSTRIAL PARK, TIVANON ROAD, TAMBOL BANGKADI,
AMPHUR MUANG, PATHUMTHANI 12000, THAILAND.**