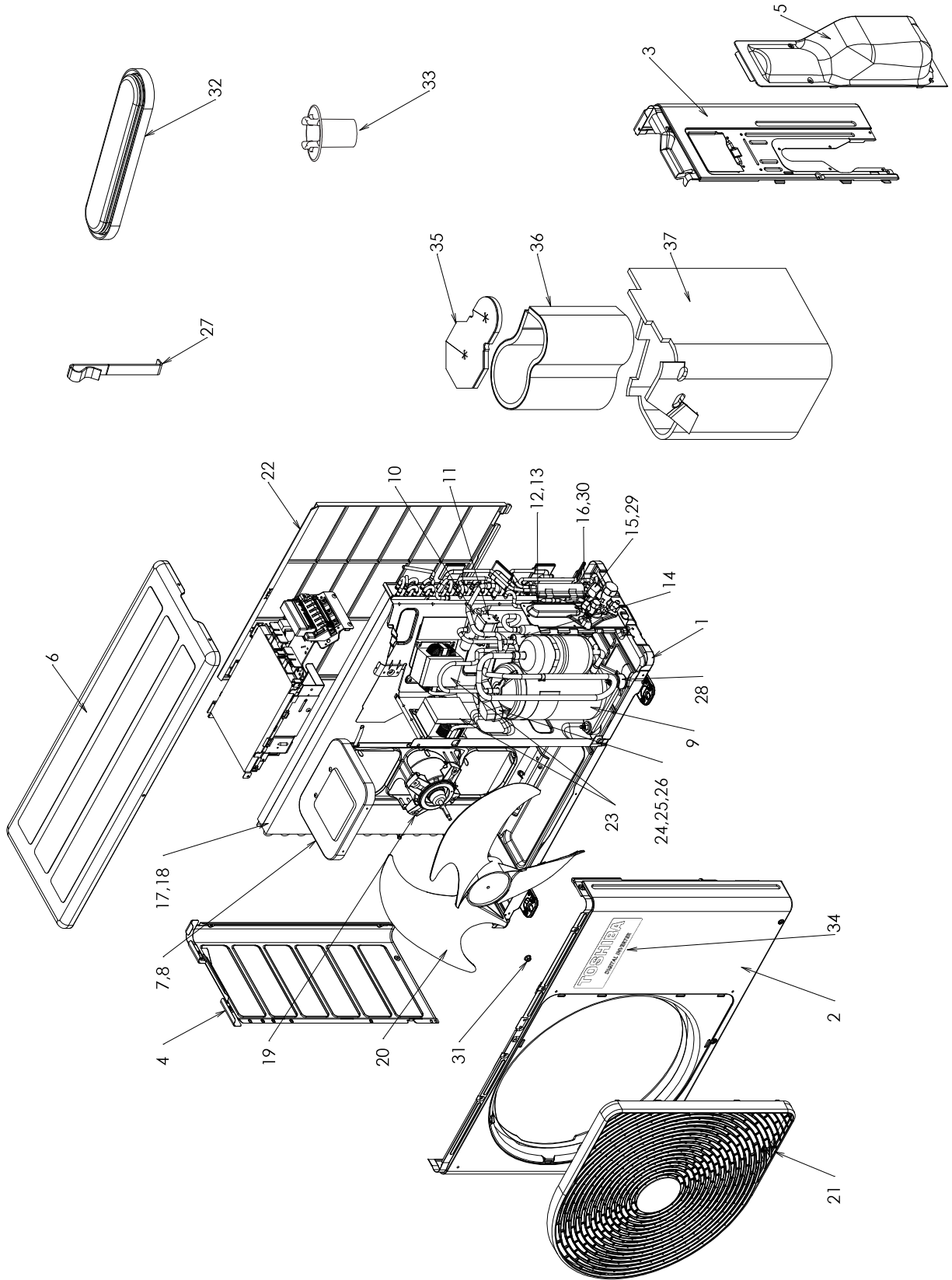


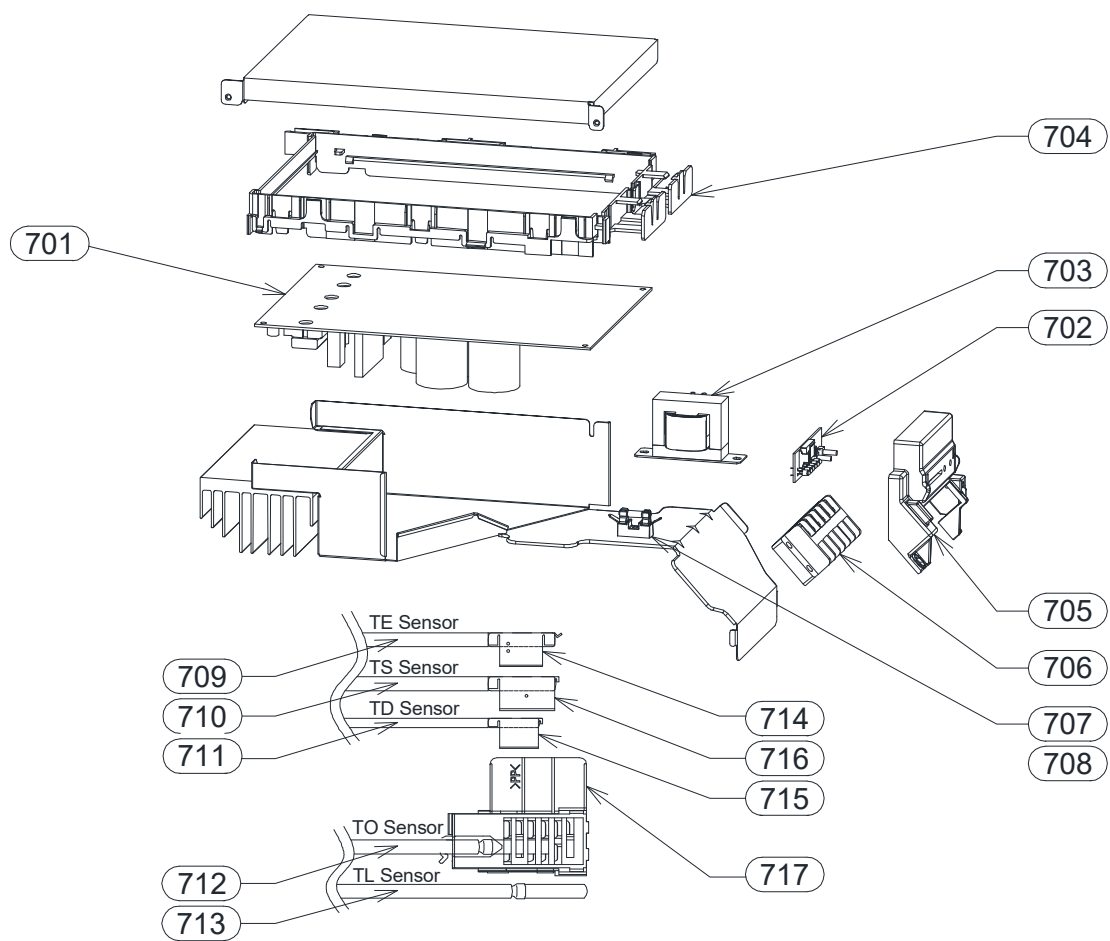
# 14. EXPLODED VIEWS AND PARTS LIST

## Outdoor Unit



Location No.	Part No.	Description	Model name	
			RAV-GM562ATP-E	RAV-GM562ATP-TR
1	43T42387	BASE COATING ASSEMBLY	1	1
2	43T00605	ASM-CABI-F-S	1	1
3	43T00599	ASM-CABI-SIDE-R	1	1
4	43T00603	ASM-COAT-C-S-L	1	1
5	43T19352	ASM-COVER-PV	1	1
6	43T00604	ASM-COAT-CABI-U	1	1
7	43T39348	ASM-M-BASE	1	1
9	43T41536	COMPRESSOR	1	1
10	43T46375	4 WAY VALVE	1	1
11	43T63352	COIL-V-4WAY	1	1
12	43T46425	BODY-PMV	1	1
13	43T46430	COIL-PMV	1	1
14	43T63370	SWITCH, PRESSURE	1	1
15	43T46374	VALVE;PACKED 12.7DIA(H4)	1	1
16	43T46358	VALVE;PACKED 6.35 DIA	1	1
17	43T43491	ASM-COND	1	1
19	43T21375	FAN MOTOR	1	1
20	43T20319	PROPELLER FAN	1	1
21	43T19364	FAN GUARD	1	1
22	43T19331	FIN GUARD	1	1
23	43T58306	REACTOR	2	2
24	43T60420	ASM-COMP-LEAD	1	1
25	43T54319	BIMETAL-THERMO	1	1
26	43T50307	HOLDER-THERMO	1	1
27	43T19333	HOLDER, SENSOR	1	1
28	43T49335	RUBBER CUSHION	3	3
29	43T47405	BONNET, 12.7 DIA	1	1
30	43T47403	BONNET, 6.35 DIA	1	1
31	43047669	NUT, FLANGE	1	1
32	43089160	CAP, WATERPROOF	2	2
33	43T79324	DRAIN NIPPLE	1	1
34	43T01340	MARK-T (DI)	1	1
35	43T04315	S-INSU(UP)	1	1
36	43T04316	SOUND-INSU(IS)	1	1
37	43T04317	SOUND-INSU(OS)	1	1

<Inverter assembly>



Location No.	Part No.	Description	Model name	
			RAV-GM562ATP-E	RAV-GM562ATP-TR
701	43TN9672	PC BOARD ASSY (MCC-1645)	1	1
702	43T6W816	PC BOARD ASSY (MCC-1646)	1	1
703	43T58326	REACTOR,CH-76	1	1
704	43T62313	PC PLATE BASE	1	1
705	43T61320	BASE, PC BOARD	1	1
706	43T60423	SERV-TERMINAL	1	1
707	43T60463	FUSE(FJL)	1	1
708	43T60564	HOLDER-FUSE	1	1
709	43T50352	TEMPERATURE SENSOR	1	1
710	43T50412	TC-SENSOR	1	1
711	43T50334	TEMPERATURE SENSOR	1	1
712	43T50417	TEMPERATURE SENSOR, TO	1	1
713	43T50335	TEMPERATURE SENSOR	1	1
714	43T63318	HOLDER SENSOR	1	1
715	43T63317	HOLDER,SENSOR	1	1
716	43T63323	HOLDER,SENSOR	1	1
717	43T63319	HOLDER,SENSOR	1	1