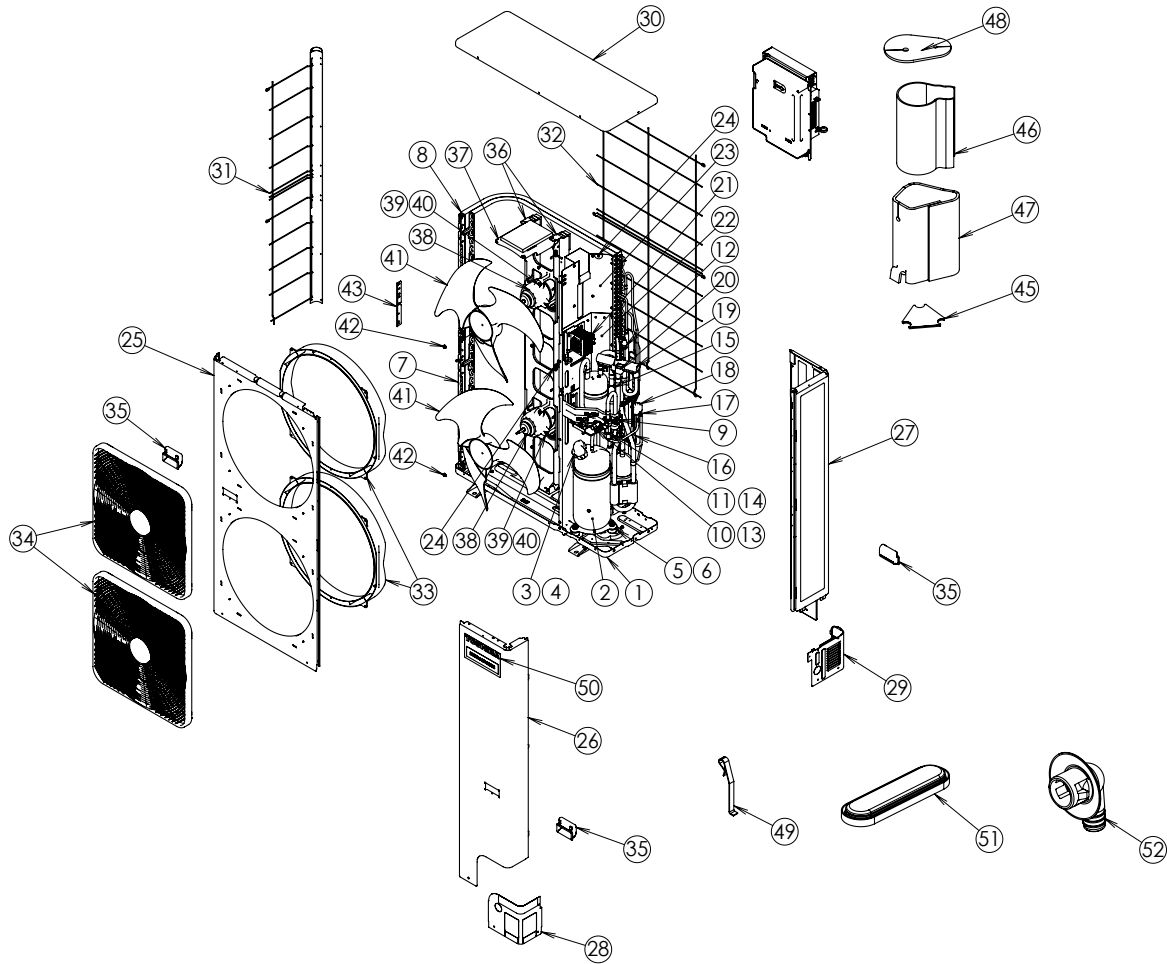


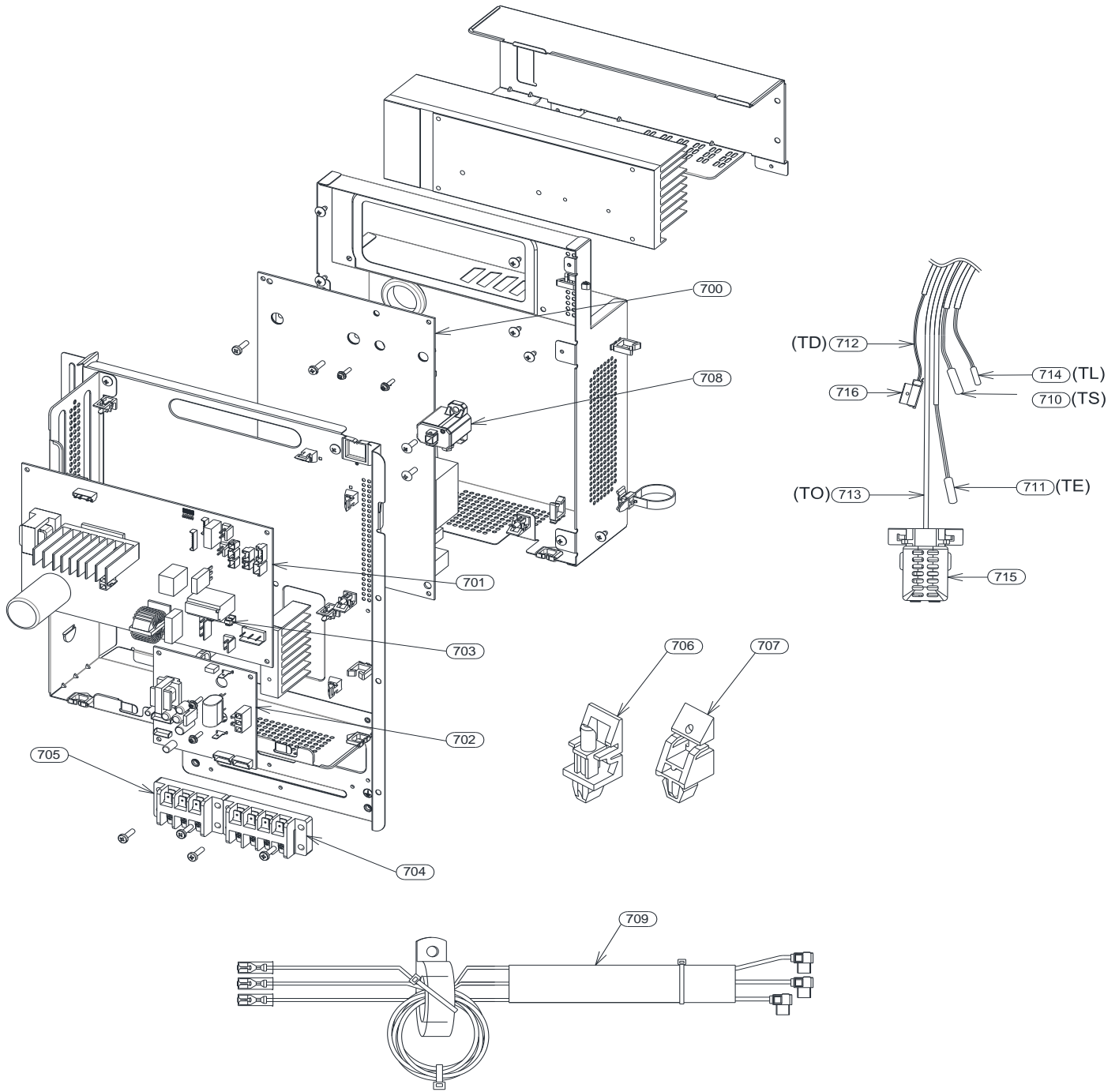
## 12. EXPLODED VIEWS AND PARTS LIST

### Outdoor Unit



Location No.	Part No.	Description	Location No.	Part No.	Description
1	43T42373	BASE PLATE ASSEMBLY	24	43T96305	BUSHING
2	43T41545	COMPRESSOR(RX380A2T-20M)	25	43T00786	AIR OUTLET CABINET
3	43T54319	BIMETAL-THERMO	26	43T00784	FRONT PANEL ASSEMBLY
4	43T50307	HOLDER-THERMO	27	43T00785	RIGHT PANEL ASSEMBLY
5	43T49357	RUBBER,CUSHION	28	43T00608	ASM-COAT-P-P-FR
6	43T97326	COMPRESSOR NUT	29	43T00609	ASM-COAT-P-P-BK
7	43T43626	DOWN CONDENSER ASSEMBLY (FOR RAV-GM1601AT8P-E, AT8P-TR)	30	43T00611	ASM-CABI-UP
7	43T43628	DOWN CONDENSER ASSEMBLY (FOR RAV-GM1601AT8JP-E)	31	43T00726	GUARD FIN ASSEMBLY
8	43T43627	UPPER CONDENSER ASSEMBLY (FOR RAV-GM1601AT8P-E, AT8P-TR)	32	43T00727	GUARD FIN BACK
8	43T43629	UPPER CONDENSER ASSEMBLY (FOR RAV-GM1601AT8JP-E)	33	43T22313	BELLMOUTH
9	43T00781	VALVE FIXING PLATE COATING	34	43T19372	FAN GUARD
10	43T46380	VALVE;PACKED 9.52 DIA	35	43T71302	HANDLE
11	43T46456	VALVE, BALL, SBV-JA6GTC-1	36	43T39413	PLATE SUPPORT MOTOR ASSEMBLY
12	43T63385	HIGH PRESSURE SWITCH ASSEMBLY	37	43T39412	BASE MOTOR ASSEMBLY
13	43T47404	BONNET, 9.52 DIA	38	43T21502	FAN MOTOR ASSEMBLY
14	43T47411	BONNET (19.1D)	39	43T97327	SCREW
15	43T47400	STRAINER	40	43T22321	COLLAR
16	43T47414	STRAINER	41	43T20352	FAN-PR(PB522)
17	43T46387	VALVE,PULSE,MODULATING	42	43T39346	NUT FLANGE
18	43T63384	COIL PMV ASSEMBLY	43	43T43630	COAT PLATE COND ASSEMBLY
19	43T46512	4WAY VALVE	45	43T04389	INSULATION SOUND UNDERSIDE
20	43T63382	COIL 4WAY ASSEMBLY	46	43T04312	SOUND-INSU(IS)
21	43T58344	REACTOR(CH-86-2Z-T)	47	43T04387	INSULATION SOUND OUTSIDE
22	43T00782	SPOT WELDING PARTITION COAT ASSEMBLY	48	43T04439	INSULATION SOUND UPPERSIDE
23	43T00783	PARTITION SUB COAT ASSEMBLY	49	43T19333	HOLDER, SENSOR
			50	43T85553	MARK-T
			51	43089160	CAP, WATERPROOF
			52	43T79305	DRAIN NIPPLE

# Inverter assembly



Location No.	Part No.	Description	Location No.	Part No.	Description
700	43T6W815	PC BOARD ASSY IPDU	709	43T60519	COMP LEAD ASSY
701	43T6W758	PC BOARD ASSY CDB & FAN UPPER	710	43T50372	TEMPERATURE SENSOR,TS
702	43T6W461	PC BOARD ASSY FAN LOWER	711	43T50385	TEMPERATURE SENSOR,TE
703	43T60413	FUSE (CHINA)	712	43T50376	SENSOR-TD
704	43T60419	TERMINAL;4P	713	43T50337	TEMPERATURE SENSOR,TO
705	43T60331	TERMINAL, 3P	714	43T50335	TEMPERATURE SENSOR
706	43T95301	SUPPORT, SPACER	715	43T63335	SENSOR HOLDER
707	43T95302	SPACER(EDGE)	716	43T63323	HOLDER,SENSOR
708	43T50345	THERMISTOR,PTC			