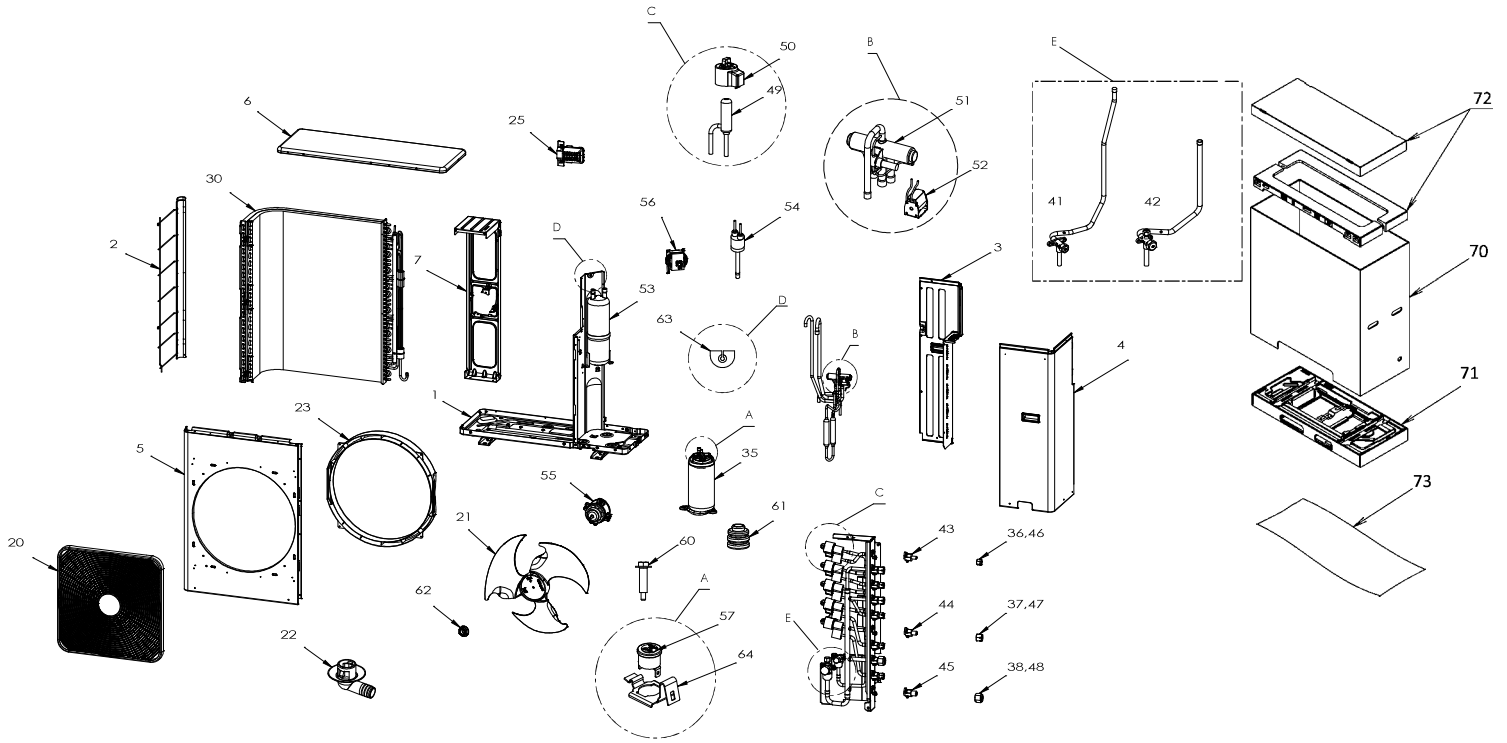


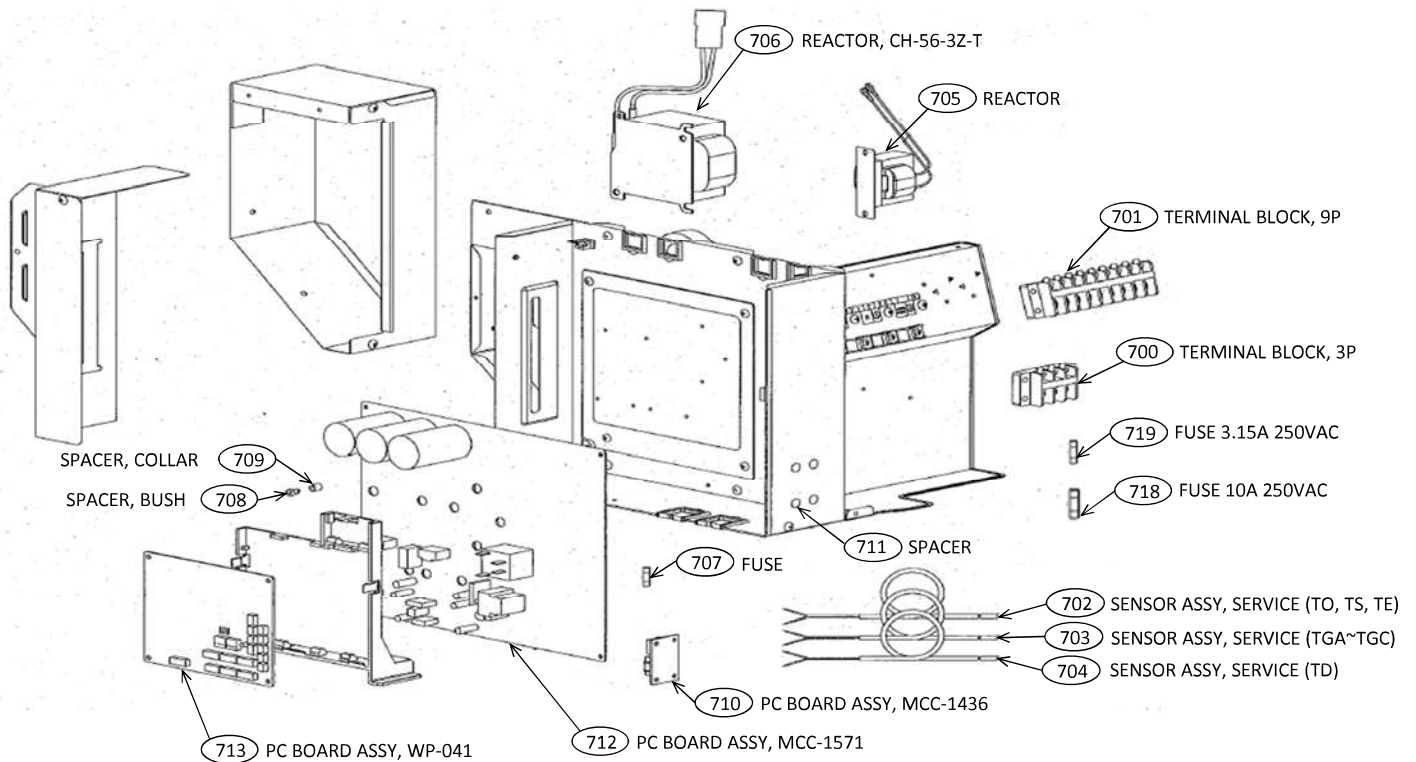
13. EXPLODED VIEWS AND PARTS LIST

13-1. Outdoor Unit



Location No.	Part No.	Description	Location No.	Part No.	Description
1	43T42363	BASE PLATE ASSEMBLY	46	43T97311	NUT, FLARE, 1/4 IN
2	43T19346	FIN GUARD ASSEMBLY	47	43T97312	NUT, FLARE, 3/8 IN
3	43T00661	ASM-CABI-BACK	48	43T97317	NUT, FLARE, 1/2 IN
4	43T00659	ASM-PANEL-FRONT	49	43T46439	BODY-PMV
5	43T00551	AIR OUTLET CABINET	50	43T46440	COIL-PMV
6	43T00803	UPPER CABINET ASSEMBLY	51	43T46383	VALVE-4WAY
7	43T39342	MOTOR BASE	52	43T63344	COIL-V-4WAY
20	43T19372	FAN GUARD(TOSHIBA)	53	43T48310	ACCUMULATOR ASSEMBLY
21	43T20329	PROPELLER FAN	54	43T63380	HIGH PRESSURE SWITCH ASSEMBLY
22	43T79305	DRAIN NIPPLE	55	43T21429	FAN MOTOR; ICF-280-A60-1
23	43T22313	BELLMOUTH	56	43T58307	REACTOR
30	43T43639	CONDENSER ASSEMBLY	57	43T54319	BIMETAL-THERMO
35	43T41539	COMPRESSOR	60	43T47385	BOLT, COMPRESSOR
36	43T47403	BONNET, 6.35 DIA	61	43T49346	RUBBER CUSHION
37	43T47404	BONNET, 9.52 DIA	62	43T47001	NUT FLANGE
38	43T47405	BONNET, 12.7 DIA	63	43T96305	BUSHING
41	43T46509	VALVE;PACKED 9.52 DIA	64	43T50307	HOLDER-THERMO
42	43T46511	VALVE;PACKED 12.7 DIA	70	43T91323	CARTON-BOX
43	43T46501	SOCKET 6.35 DIA	71	43T91318	FIBERBOARD UNDER ASSEMBLY
44	43T46500	SOCKET 9.52 DIA	72	43T91324	FIBERBOARD UPPER ASSEMBLY
45	43T46499	SOCKET 12.7 DIA	73	43T91301	PE SHEET

13-2. Inverter Assembly



Location No.	Part No.	Description	Location No.	Part No.	Description
700	43T60427	TERMINAL BLOCK	708	43T61315	SPACER(BUSH)
701	43T60452	SERV-TERMINAL	709	43T61316	SPACER(COLLAR)
702	43T50347	SENSOR ASSY, SERVICE	710	43T6V587	ASM-PCB(FAN-REL)
703	43T50356	SERVICE-SENSOR	711	43T61324	ASM-SPACER-SET
704	43T60433	SENSOR ASSY, SERVICE	712	43T6W379	PC-BOARD
705	43T58341	REACTOR	713	43T6W382	PC-BOARD
706	43T58307	REACTOR	718	43T60490	FUSE
707	43T60413	FUSE	719	43T60361	FUSE