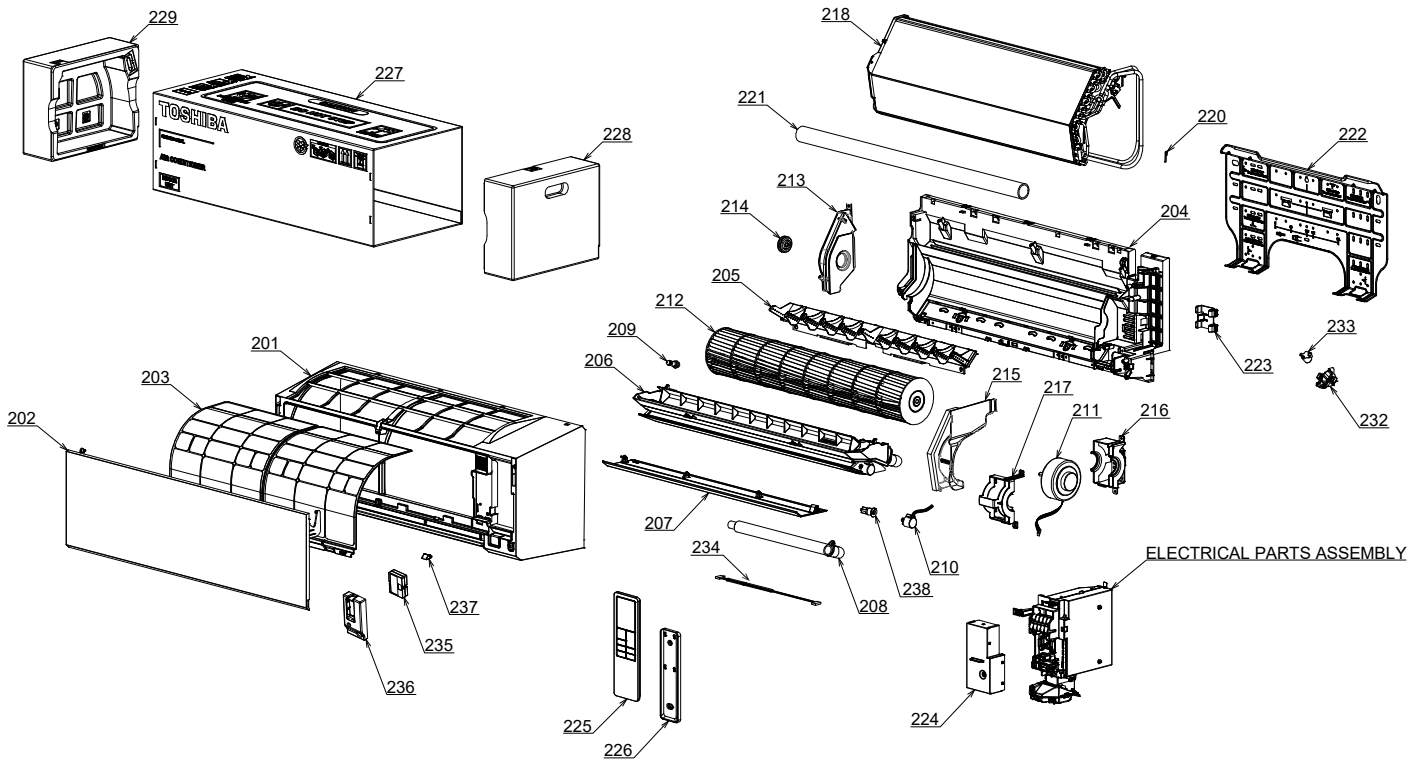


## 13. EXPLODED VIEWS AND PARTS LIST

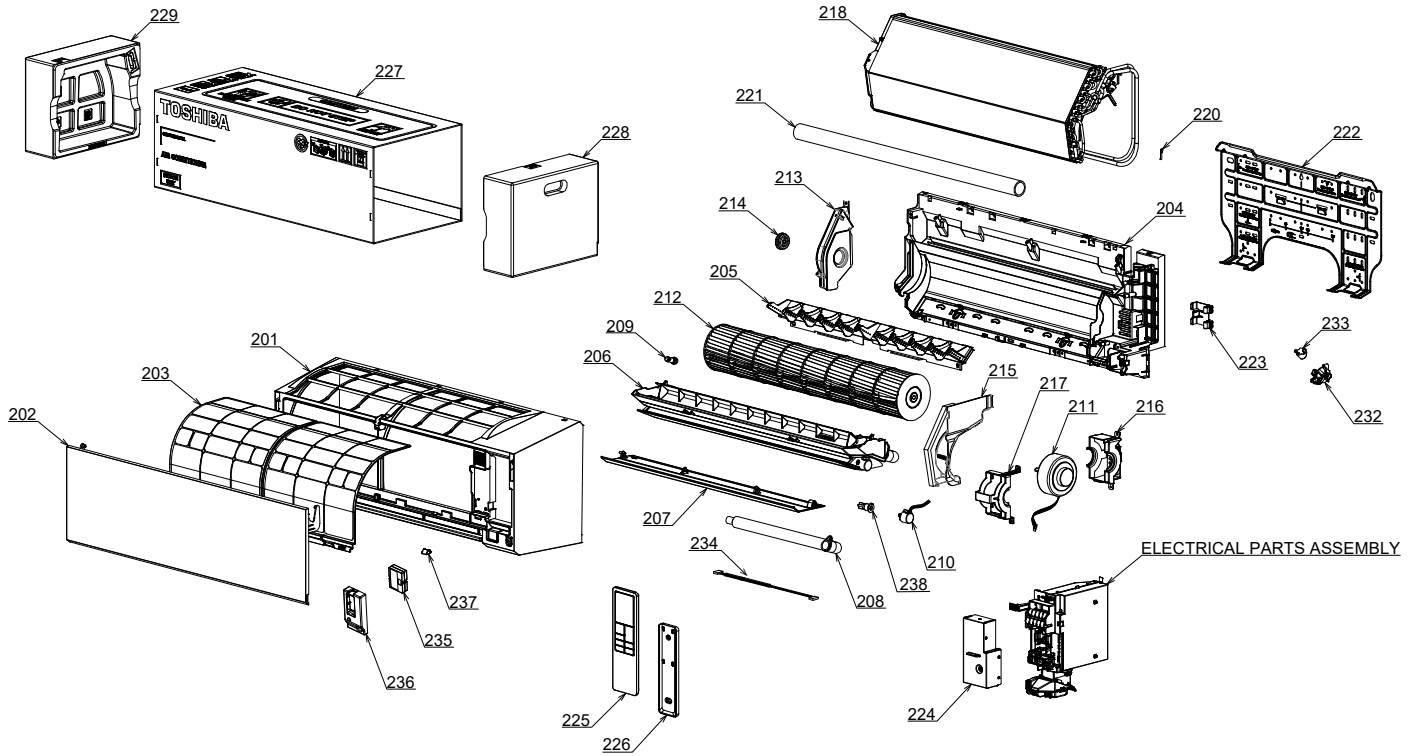
### 13-1. Indoor Unit

RAS-B07, 10, 13, 16G3KVSG-E



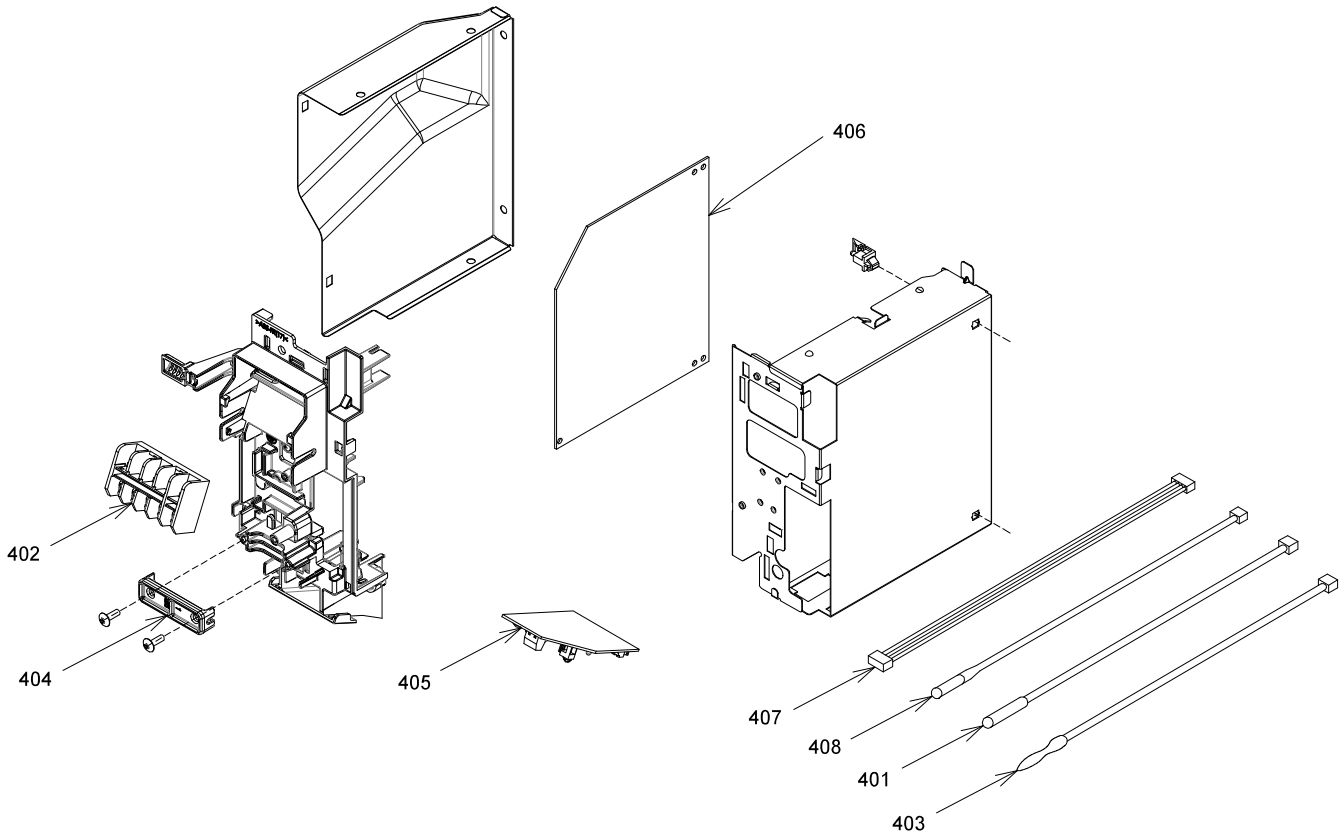
Location No.	Part No.	Description	Location No.	Part No.	Description
201	43T00777	FRONT PANEL ASSY	218	43T44681	REFRIGERATION CYCLE ASSY (FOR RAS-B16G3KVSG-E)
202	43T09585	GRILLE OF AIR INLET ASSY	220	43T19333	HOLDER, SENSOR
203	43T80357	AIR FILTER	221	43T11341	PIPE-SHIELD
204	43T03422	BACK BODY ASSY	222	43T82332	INSTALLATION PLATE
205	43T22379	VERTICAL LOUVER ASSY	223	43T49368	PIPE HOLDER
206	43T72394	DRAIN PAN ASSY	224	43T62360	TERMINAL COVER ASSY
207	43T22364	HORIZONTAL LOUVER	225	43T66449	WIRELESS REMOCO(WH-UA06UE)
208	43T70321	DRAIN HOSE	226	43T66423	HOLDER, REMOTE CONTROL
209	43T79322	DRAIN CAP	227	43T91305	PACKING SLEEVE
210	43T21478	MOTOR; STEPPING	228	43T91395	PACKING CUSHION RIGHT
211	43T21488	MOTOR FAN	229	43T91396	PACKING CUSHION LEFT
212	43T20344	CROSS FLOW FAN ASSY	232	43T03406	COVER MOTOR VT
213	43T39365	BASE BEARING	233	43T21434	STEPPING-MOTOR
214	43T22312	BEARING ASSY, MOLD	234	43T60551	CORD MOTOR LOUVER LEFT
215	43T39364	MOTOR COVER	235	43T66421	WIRELESS ADAPTER (WRE-T00BJ10)
216	43T39441	MOTOR BAND BACK ASSY	236	43T08438	COVER WIFI
217	43T39369	MOTOR BAND FRONT	237	43T00917	CAP SCREW
218	43T44680	REFRIGERATION CYCLE ASSY (FOR RAS-B07,10,13G3KVSG-E)	238	43125202	COVER-AXIS

**RAS-B07, 10, 13, 16G3KVSGB-E**



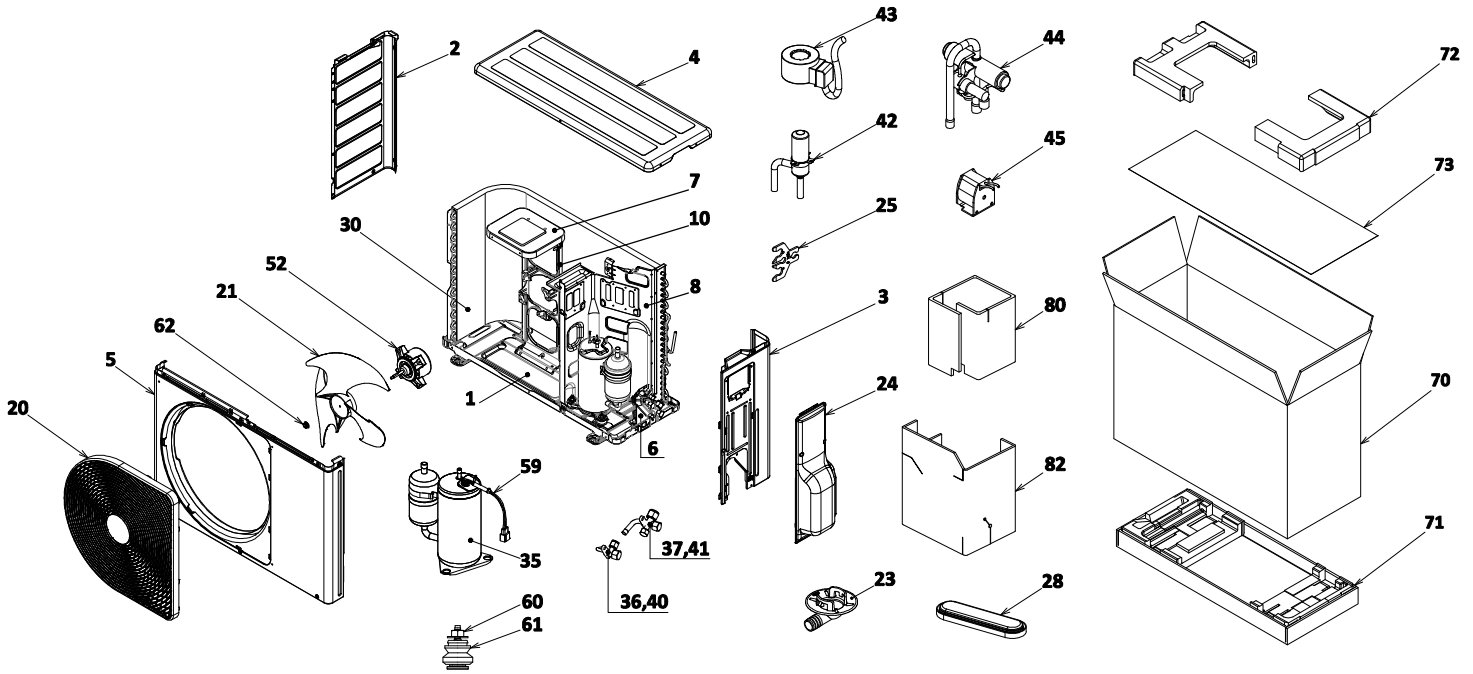
Location No.	Part No.	Description	Location No.	Part No.	Description
201	43T00921	FRONT PANEL BLACK ASSY	218	43T44681	REFRIGERATION CYCLE ASSY (FOR RAS-B16G3KVSGB-E)
202	43T09642	GRILLE OF AIR INLET ASSY	220	43T19333	HOLDER, SENSOR
203	43T80357	AIR FILTER	221	43T11341	PIPE-SHIELD
204	43T03422	BACK BODY ASSY	222	43T82332	INSTALLATION PLATE
205	43T22379	VERTICAL LOUVER ASSY	223	43T49368	PIPE HOLDER
206	43T72396	DRAIN PAN BLACK ASSY	224	43T62360	TERMINAL COVER ASSY
207	43T22380	HORIZONTAL LOUVER BLACK	225	43T66427	WIRELESS REMOCO (WH-UA04UE)
208	43T70321	DRAIN HOSE	226	43T66423	HOLDER, REMOTE CONTROL
209	43T79322	DRAIN CAP	227	43T91305	PACKING SLEEVE
210	43T21478	MOTOR; STEPPING	228	43T91395	PACKING CUSHION RIGHT
211	43T21488	MOTOR FAN	229	43T91396	PACKING CUSHION LEFT
212	43T20344	CROSS FLOW FAN ASSY	232	43T03406	COVER MOTOR VT
213	43T39365	BASE BEARING	233	43T21434	STEPPING-MOTOR
214	43T22312	BEARING ASSY, MOLD	234	43T60551	CORD MOTOR LOUVER LEFT
215	43T39364	MOTOR COVER	235	43T66421	WIRELESS ADAPTER (WRE-T00BJ10)
216	43T39441	MOTOR BAND BACK ASSY	236	43T08438	COVER WIFI
217	43T39369	MOTOR BAND FRONT	237	43T00903	CAP SCREW
218	43T44680	REFRIGERATION CYCLE ASSY (FOR RAS-B07,10,13G3KVSGB-E)	238	43125202	COVER-AXIS

## 13-2. Indoor Unit (Part-E)



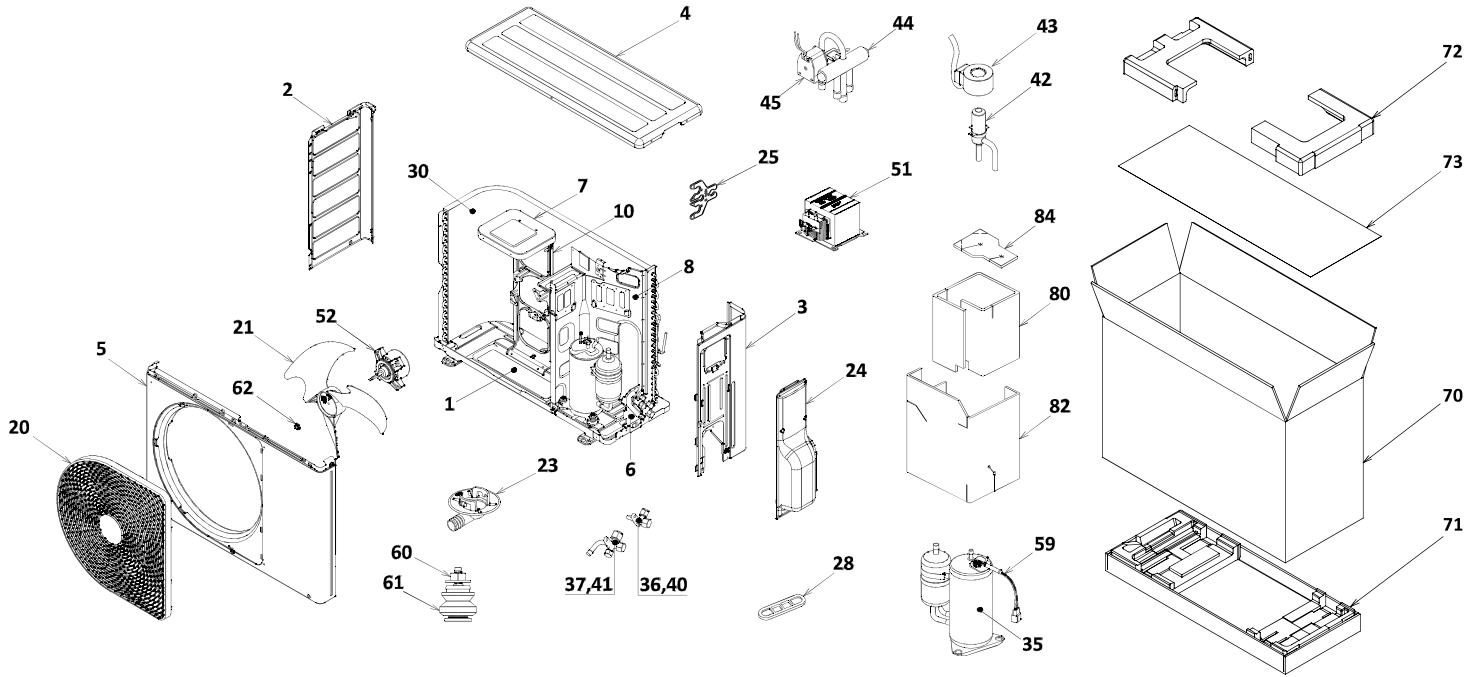
Location No.	Part No.	Description	Location No.	Part No.	Description
401	43T50393	TEMPERATURE SENSOR	406	43TN9855	PC BOARD ASSY(WP-048) (FOR RAS-B13G3KVSG-E,B13G3KVSGB-E)
402	43T6V673	TERMINAL(5P-TF)	406	43TN9857	PC BOARD ASSY(WP-048) (FOR RAS-B16G3KVSG-E,B16G3KVSGB-E)
403	43T60604	SENSOR-TA(SEMITEC)	407	43T60502	HOUSING-WiFi
404	43T62340	CORD-CLAMP	408	43T60605	TEMPERATURE SENSOR
405	43T6W727	PC BOARD ASSY : WRS-LED			
406	43TN9851	PC BOARD ASSY(WP-048) (FOR RAS-B07G3KVSG-E,B07G3KVSGB-E)			
406	43TN9853	PC BOARD ASSY(WP-048) (FOR RAS-B10G3KVSG-E,B10G3KVSGB-E)			

**13-3. Outdoor Unit**  
**RAS-07J2AVSG-E1**



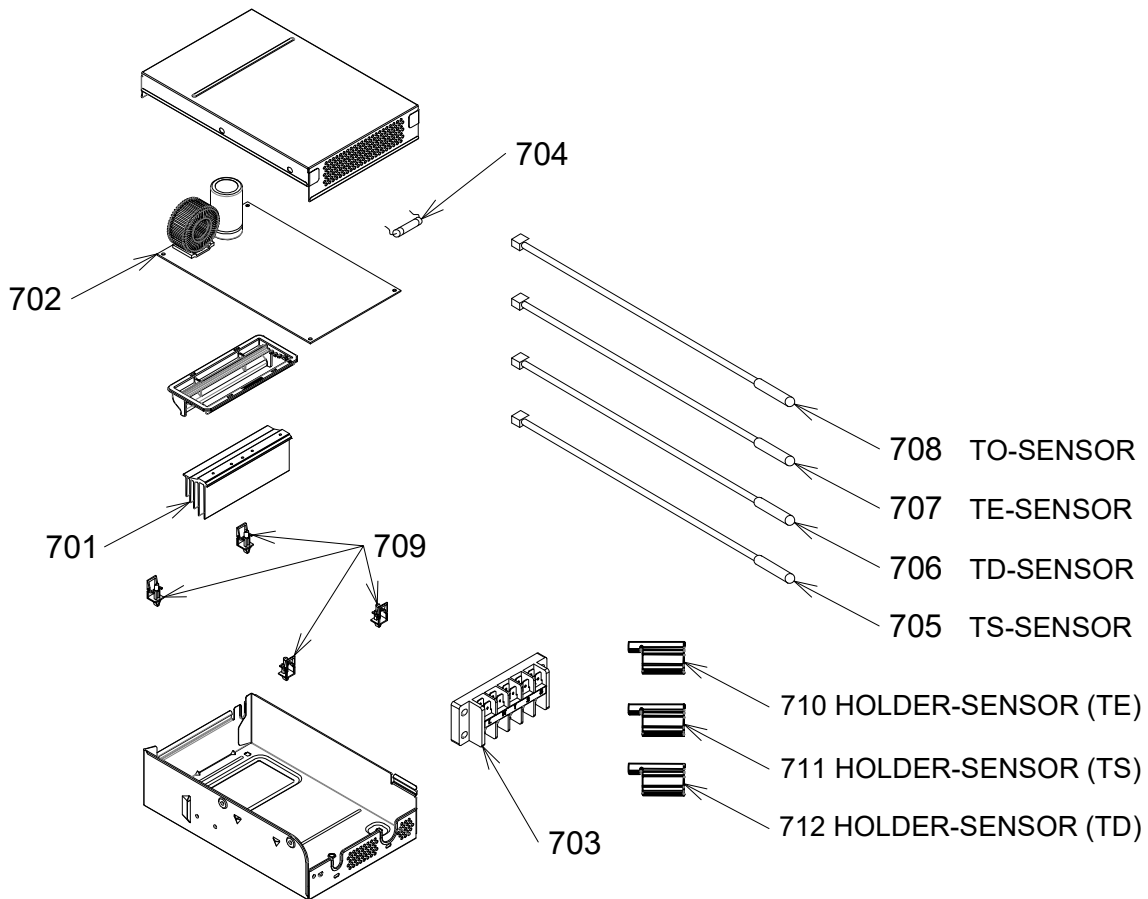
Location No.	Part No.	Description	Location No.	Part No.	Description
1	43T42382	BASE PLATE ASSEMBLY	37	43T47404	BONNET, 9.52 DIA
2	43T00459	LEFT CABINET	40	43T46421	VALVE; PACKED 6.35 DIA
3	43T00690	RIGHT CABINET ASSEMBLY	41	43T46422	VALVE; PACKED 9.52 DIA
4	43T00735	UPPER CABINET ASSEMBLY	42	43T46469	BODY PMV
5	43T00737	FRONT CABINET ASSEMBLY	43	43T63360	COIL PMV
6	43T00448	FIXING PLATE VALVE	44	43T46367	4 WAY VALVE
7	43T39333	MOTOR BASE CONNECTION PLATE	45	43T63327	COIL-4WAY
8	43T04330	PARTITION ASSEMBLY	52	43T21460	MOTOR FAN
10	43T39393	MOTOR BASE	59	43T60505	LEAD ASSY, COMPRESSOR
20	43T19364	FAN GUARD	60	43T97001	NUT
21	43T20319	PROPELLER FAN	61	43T49327	CUSHION,RUBBER
23	43T79325	DRAIN NIPPLE	62	43T47001	NUT FLANGE
24	43T00762	PACKED-VALVE COVER ASSEMBLY	70	43T91343	CARTON BOX
25	43T63376	HOLDER, SENSOR	71	43T91342	FIBERBOARD UNDER ASSEMBLY
28	43089160	CAP, WATERPROOF	72	43T91314	CUSHION-PKG-UPR
30	43T43603	CONDENSER ASSEMBLY	73	43T91301	PE SHEET
35	43T41533	COMPRESSOR	80	43T04463	INSULATION SOUND INSIDE
36	43T47403	BONNET, 6.35 DIA	82	43T04462	INSULATION SOUND OUTSIDE

**RAS-10, 13, 16J2AVSG-E1**



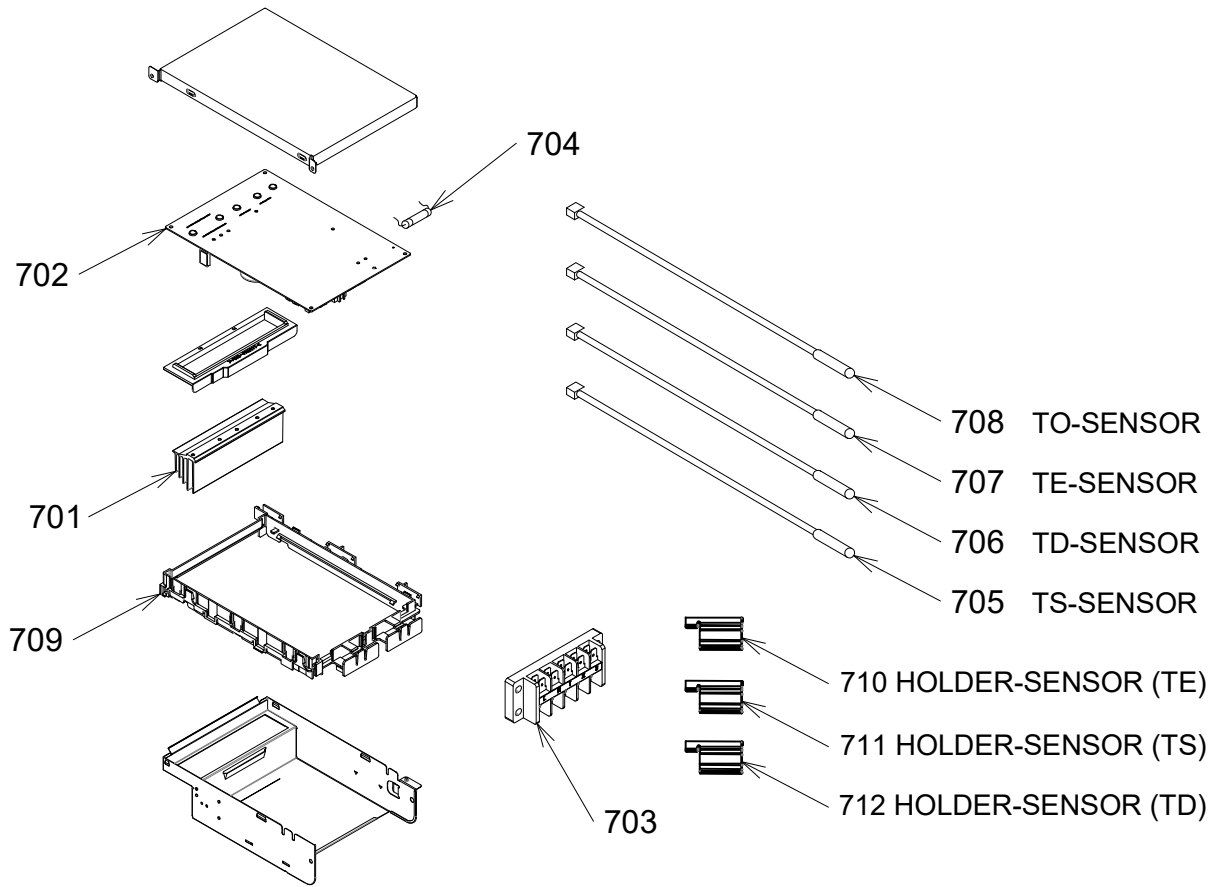
Location No.	Part No.	Description	Location No.	Part No.	Description
1	43T42382	BASE PLATE ASSEMBLY	40	43T46421	VALVE; PACKED 6.35 DIA (FOR RAS-10J2AVSG-E1)
2	43T00459	LEFT CABINET	40	43T46435	VALVE; PACKED 6.35 DIA (FOR RAS-13,16J2AVSG-E1)
3	43T00690	RIGHT CABINET ASSEMBLY	41	43T46422	VALVE; PACKED 9.52 DIA (FOR RAS-10J2AVSG-E1)
4	43T00735	UPPER CABINET ASSEMBLY	41	43T46436	VALVE; PACKED 9.52 DIA (FOR RAS-13J2AVSG-E1)
5	43T00688	FRONT CABINET ASSEMBLY (FOR RAS-16J2AVSG-E1)	41	43T46461	VALVE; PACKED 12.7 DIA (FOR RAS-16J2AVSG-E1)
5	43T00737	FRONT CABINET ASSEMBLY (FOR RAS-10,13J2AVSG-E1)	42	43T46469	BODY PMV
6	43T00448	FIXING PLATE VALVE	43	43T63360	COIL PMV
7	43T39333	MOTOR BASE CONNECTION PLATE	44	43T46367	4 WAY VALVE (FOR RAS-10,16J2AVSG-E1)
8	43T04330	PARTITION ASSEMBLY (FOR RAS-10J2AVSG-E1)	44	43T46470	4 WAY VALVE (FOR RAS-13J2AVSG-E1)
8	43T04340	PARTITION ASSEMBLY (FOR RAS-13J2AVSG-E1)	45	43T63327	COIL-4WAY (FOR RAS-10,16J2AVSG-E1)
8	43T04362	GUIDE WIND PARTITION ASSEMBLY (FOR RAS-16J2AVSG-E1)	45	43T63361	4 WAY VALVE COIL (FOR RAS-13J2AVSG-E1)
10	43T39393	MOTOR BASE	51	43T58309	REACTOR (FOR RAS-16J2AVSG-E1)
20	43T19364	FAN GUARD	52	43T21460	MOTOR FAN
21	43T20319	PROPELLER FAN	59	43T60494	LEAD ASSY, COMPRESSOR (FOR RAS-16J2AVSG-E1)
23	43T79325	DRAIN NIPPLE	59	43T60505	LEAD ASSY, COMPRESSOR (FOR RAS-10,13J2AVSG-E1)
24	43T00762	PACKED-VALVE COVER ASSEMBLY	60	43T97001	NUT
25	43T63376	HOLDER, SENSOR	61	43T49327	CUSHION,RUBBER
28	43089160	CAP, WATERPROOF	62	43T47001	NUT FLANGE
30	43T43545	CONDENSER ASSEMBLY (FOR RAS-13,16J2AVSG-E1)	70	43T91343	CARTON BOX
30	43T43603	CONDENSER ASSEMBLY (FOR RAS-10J2AVSG-E1)	71	43T91342	FIBERBOARD UNDER ASSEMBLY
35	43T41500	COMPRESSOR (FOR RAS-16J2AVSG-E1)	72	43T91314	CUSHION-PKG-UPR
35	43T41521	COMPRESSOR (FOR RAS-13J2AVSG-E1)	73	43T91301	PE SHEET
35	43T41533	COMPRESSOR (FOR RAS-10J2AVSG-E1)	80	43T04357	SOUND INSULATION(IS)
36	43T47403	BONNET, 6.35 DIA	82	43T04429	INSULATION SOUND OUTSIDE
37	43T47404	BONNET, 9.52 DIA (FOR RAS-10,13J2AVSG-E1)	84	43T04416	INSULATION SOUND OUTSIDE (FOR RAS-16J2AVSG-E1)
37	43T47405	BONNET, 12.7 DIA (FOR RAS-16J2AVSG-E1)			

**13-4. Outdoor Unit (Part-E)**  
**RAS-07, 10, 13J2AVSG-E1**



Location No.	Part No.	Description	Location No.	Part No.	Description
701	43T67311	HEATSINK	705	43T50353	TEMPERATURE SENSOR (FOR RAS-10,13J2AVSG-E1)
702	43TN9473	PC BOARD (WP-043) (FOR RAS-10J2AVSG-E1)	706	43T50334	TEMPERATURE SENSOR
702	43TN9474	PC BOARD (WP-043) (FOR RAS-13J2AVSG-E1)	707	43T50352	TEMPERATURE SENSOR
702	43TN9811	PC BOARD (WP-043) (FOR RAS-07J2AVSG-E1)	708	43T50360	TC-SENSOR(TO)
703	43T60392	TERMINAL-5P	709	43T95304	SPACER-KGES
704	43T60459	FUSE	710	43T63318	HOLDER SENSOR
705	43T50336	TEMPERATURE SENSOR (FOR RAS-07J2AVSG-E1)	711	43T63316	HOLDER,SENSOR
			712	43T63317	HOLDER,SENSOR

RAS-16J2AVSG-E1



Location No.	Part No.	Description
701	43T62351	HEATSINK
702	43T6W878	PC BOARD (WP-044)
703	43T60392	TERMINAL-5P
704	43T60326	FUSE
705	43T50353	TEMPERATURE SENSOR
706	43T50334	TEMPERATURE SENSOR

Location No.	Part No.	Description
707	43T50352	TEMPERATURE SENSOR
708	43T50360	TC-SENSOR(TO)
709	43T62313	PC PLATE BASE
710	43T63318	HOLDER SENSOR
711	43T63316	HOLDER,SENSOR
712	43T63317	HOLDER,SENSOR

# **Toshiba Carrier (Thailand) Co., Ltd.**

**144/9 MOO 5, BANGKADI INDUSTRIAL PARK, TIVANON ROAD, TAMBOL BANGKADI,  
AMPHUR MUANG, PATHUMTHANI 12000, THAILAND.**