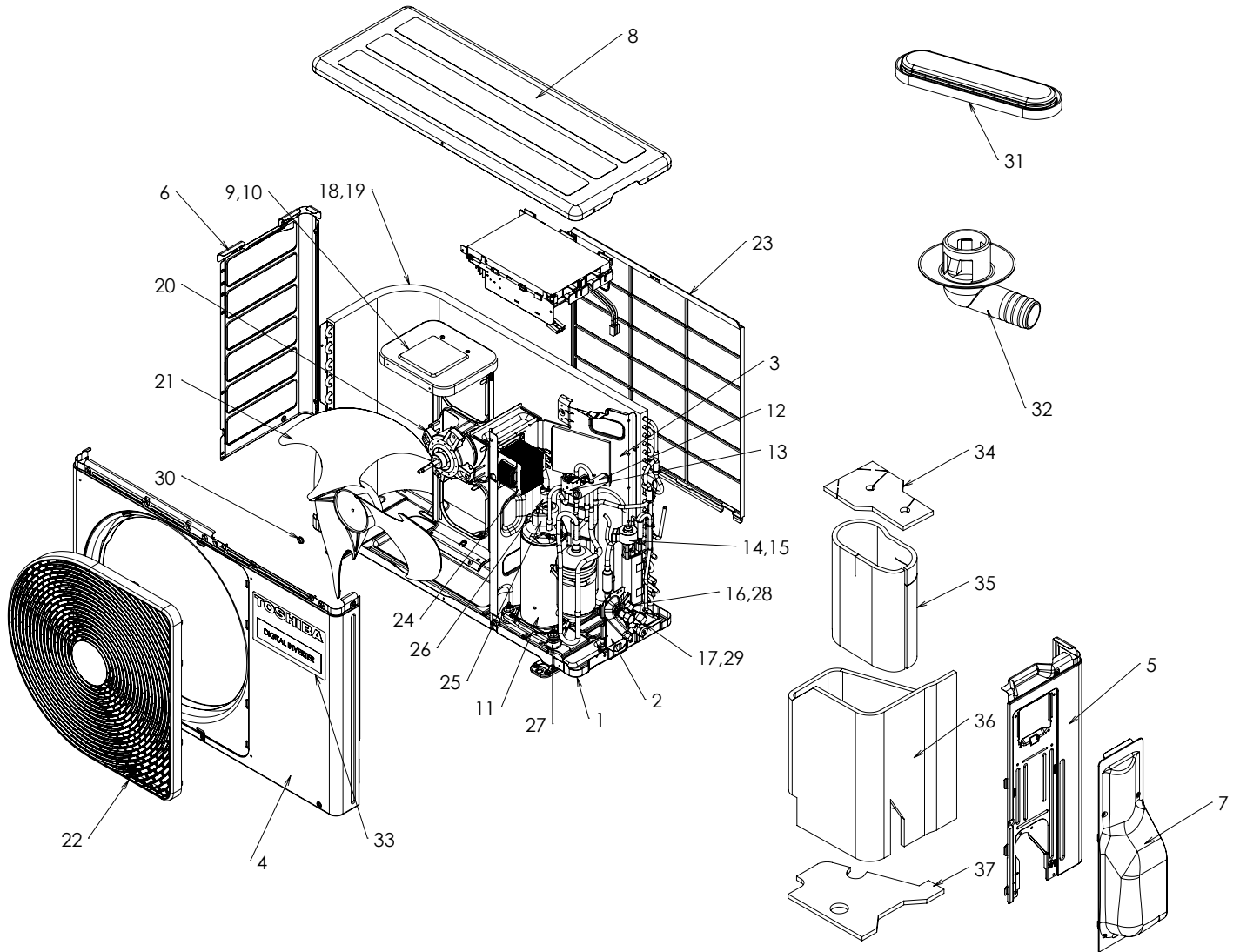


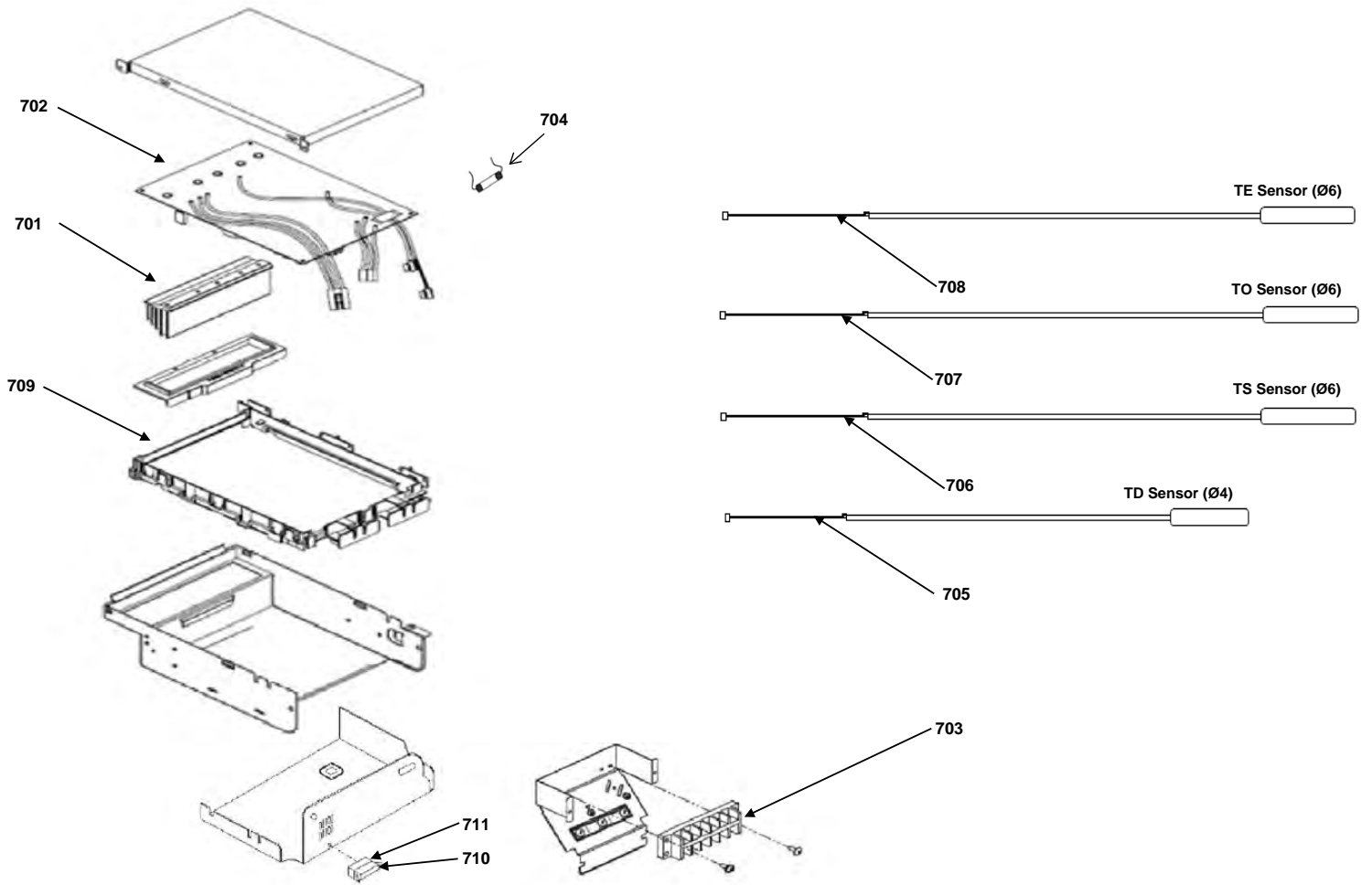
13. EXPLODED VIEWS AND PARTS LIST

13-1. RAV-GM301ATP-E, RAV-GM301ATP-TR, RAV-GM301ATP-NZ



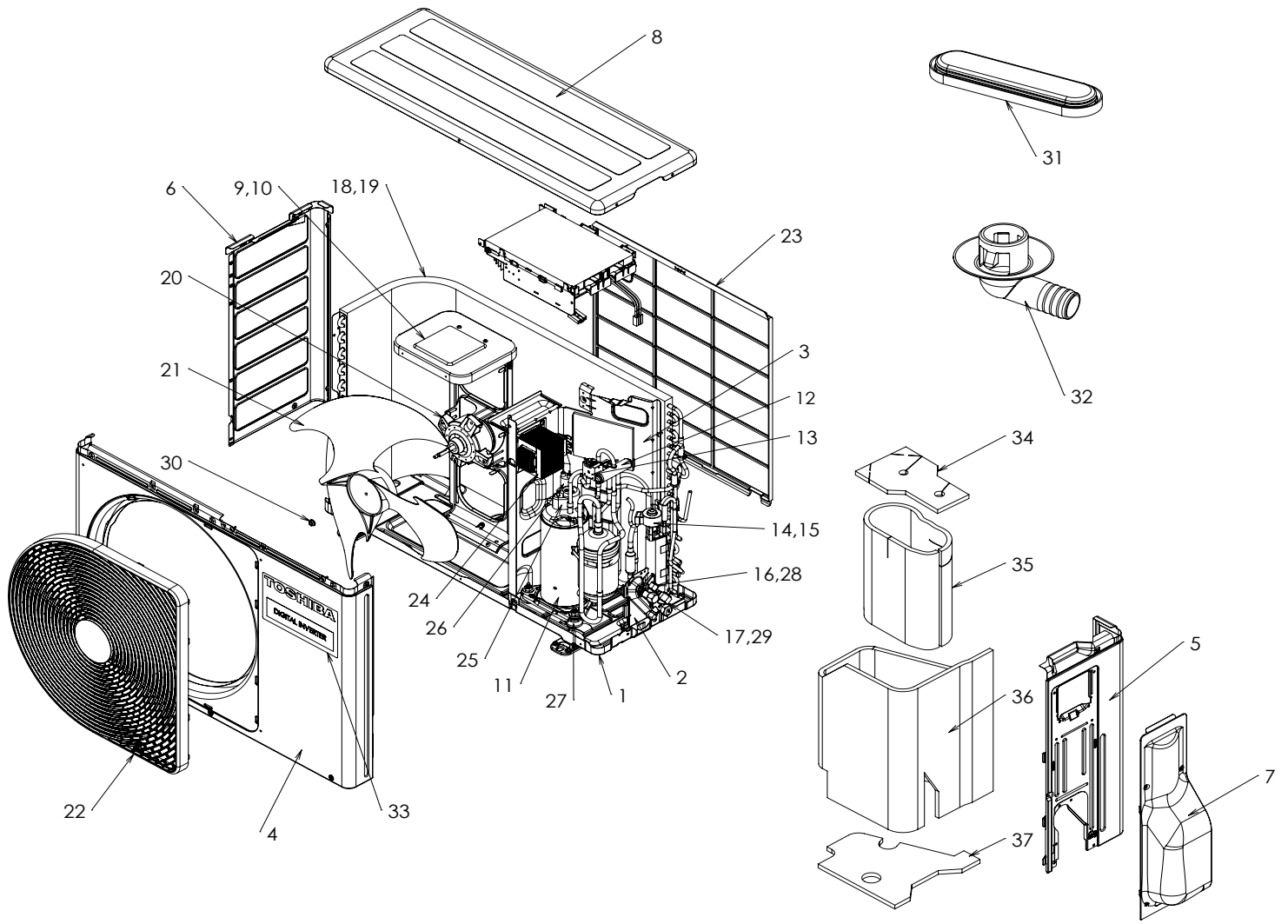
Ref.No.	Parts No.	Description	RAV-		
			GM301ATP-E	GM301ATP-TR	GM301ATP-NZ
1	43T42352	ASM-COAT-BASE	1	1	1
2	43T00653	ASM-COAT-P-F-PV	1	1	1
3	43T00742	PARTITION ASSEMBLY	1	1	1
4	43T00605	ASM-CABI-F-S	1	1	1
5	43T00743	RIGHT CABINET ASSEMBLY	1	1	1
6	43T00602	ASM-COAT-C-S-L	1	1	1
7	43T19352	ASM-COVER-PV	1	1	1
8	43T00604	ASM-COAT-CABI-U	1	1	1
9	43T39348	ASM-M-BASE	1	1	1
11	43T41521	COMPRESSOR	1	1	1
12	43T46367	4 WAY VALVE	1	1	1
13	43T63327	COIL-4WAY	1	1	1
14	43T46469	BODY PMV	1	1	1
15	43T63360	COIL PMV	1	1	1
16	43T46435	VALVE; PACKED 6.35 DIA	1	1	1
17	43T46503	VALVE ; PACKED 9.52 DIA	1	1	1
18	43T43559	CONDENSER ASSEMBLY	1	1	1
20	43T21460	FAN MOTOR	1	1	1
21	43T20319	PROPELLER FAN	1	1	1
22	43T19364	FAN GUARD	1	1	1
23	43T19331	FIN GUARD	1	1	1
24	43T58309	REACTOR	1	1	1
25	43T60420	ASM-COMP-LEAD	1	1	1
26	43T63369	SWITCH, PRESSURE	1	1	1
27	43T49327	CUSHION,RUBBER	3	3	3
28	43T47403	BONNET, 6.35 DIA	1	1	1
29	43T47404	BONNET, 9.52 DIA	1	1	1
30	43T39346	NUT FLANGE	1	1	1
31	43089160	CAP, WATERPROOF	2	2	2
32	43T79305	DRAIN NIPPLE	1	1	1
33	43T85553	MARK-T	1	1	1
34	43T04358	SOUND INSULATION(UP)	1	1	1
35	43T04355	SOUND INSULATION(IS)	1	1	1
36	43T04332	S-INSU-OUT	1	1	1
37	43T04356	SOUND INSULATION(DN)	1	1	1

<Inverter assembly GM30>



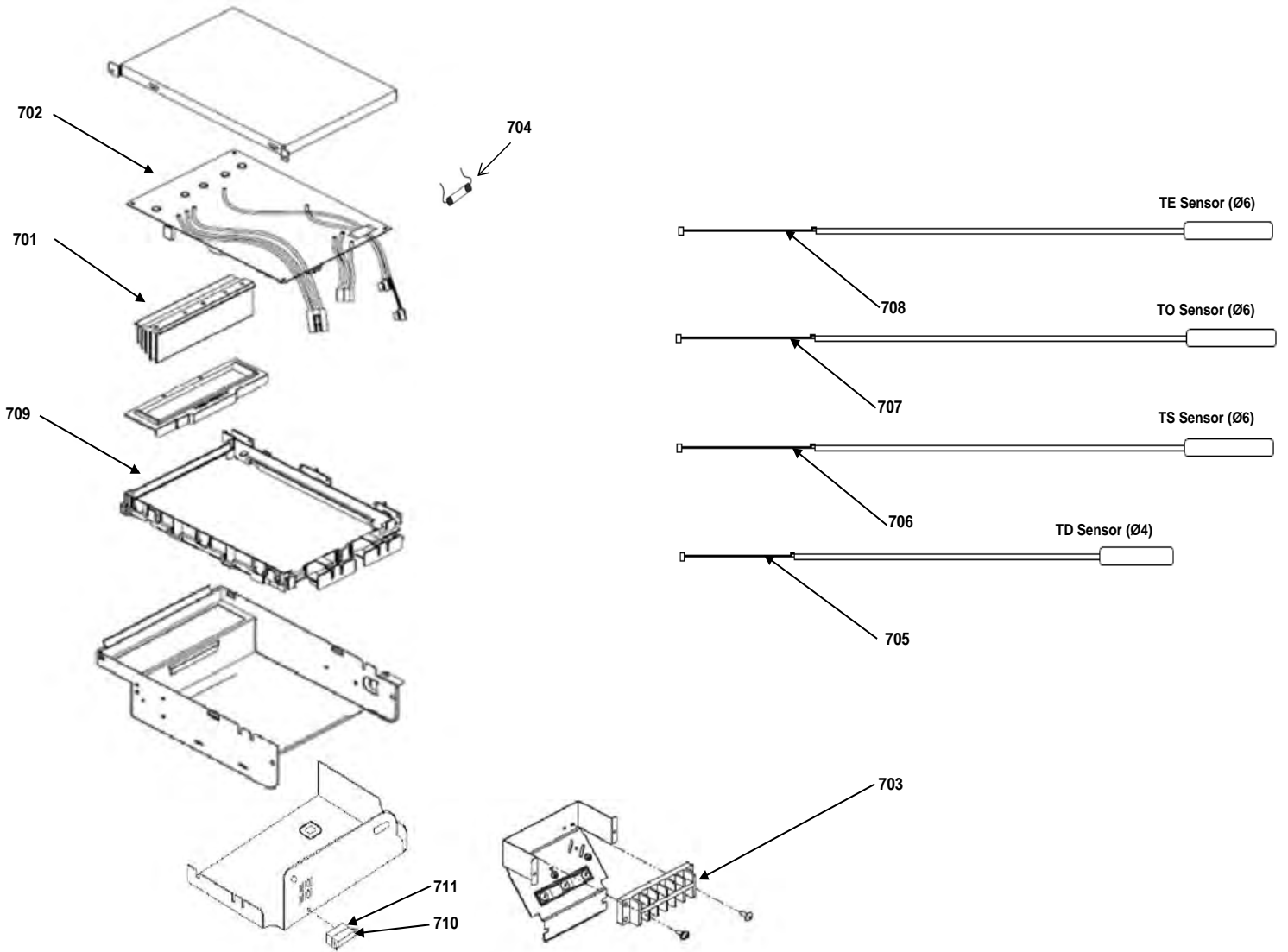
Ref.No.	Parts No.	Description	RAV-		
			GM301ATP-E	GM301ATP-TR	GM301ATP-NZ
701	43T62351	HEATSINK	1	1	1
702	43T6W748	PC BOARD ASSY	1	1	1
703	43T60384	TERMINAL-6P	1	1	1
704	43T60326	FUSE	1	1	1
705	43T50369	TEMPERATURE SENSOR	1	1	1
706	43T50336	TEMPERATURE SENSOR	1	1	1
707	43T50370	TEMPERATURE SENSOR	1	1	1
708	43T50371	TEMPERATURE SENSOR	1	1	1
709	43T62313	PC PLATE BASE	1	1	1
710	43T60463	FUSE	1	1	1
711	43T60425	FUSE HOLDER	1	1	1

13-2. RAV-GM301ATJP-E



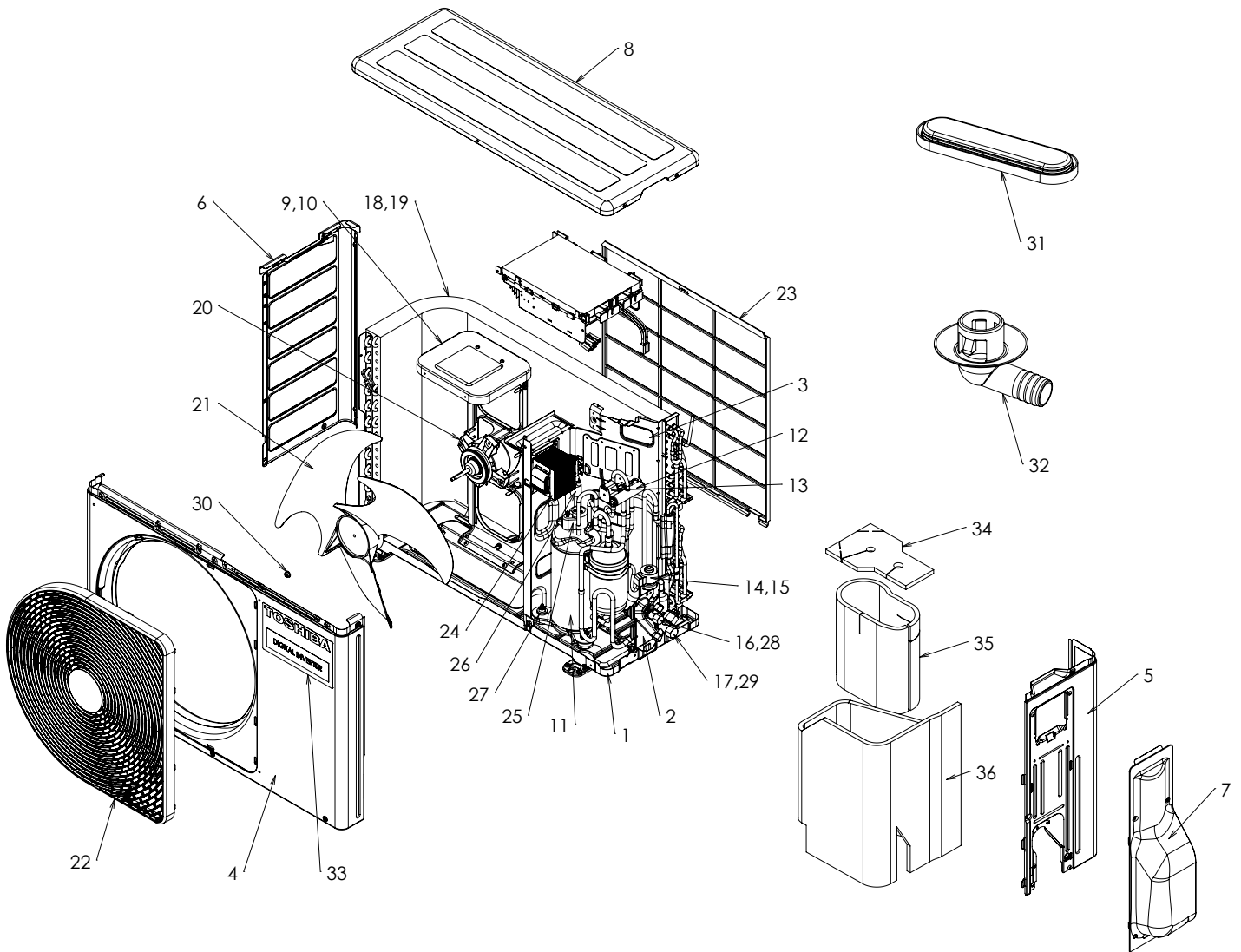
Ref.No.	Parts No.	Description	RAV-
			GM301ATJP-E
1	43T42352	ASM-COAT-BASE	1
2	43T00653	ASM-COAT-P-F-PV	1
3	43T00742	PARTITION ASSEMBLY	1
4	43T00605	ASM-CABI-F-S	1
5	43T00743	RIGHT CABINET ASSEMBLY	1
6	43T00602	ASM-COAT-C-S-L	1
7	43T19352	ASM-COVER-PV	1
8	43T00604	ASM-COAT-CABI-U	1
10	43T39347	ASM-M-BASE	1
11	43T41521	COMPRESSOR	1
12	43T46367	4 WAY VALVE	1
13	43T63327	COIL-4WAY	1
14	43T46469	BODY PMV	1
15	43T63360	COIL PMV	1
16	43T46435	VALVE; PACKED 6.35 DIA	1
17	43T46503	VALVE ; PACKED 9.52 DIA	1
19	43T43587	CONDENSER ASSEMBLY	1
20	43T21460	FAN MOTOR	1
21	43T20319	PROPELLER FAN	1
22	43T19364	FAN GUARD	1
23	43T19331	FIN GUARD	1
24	43T58309	REACTOR	1
25	43T60420	ASM-COMP-LEAD	1
26	43T63369	SWITCH, PRESSURE	1
27	43T49327	CUSHION,RUBBER	3
28	43T47403	BONNET, 6.35 DIA	1
29	43T47404	BONNET, 9.52 DIA	1
30	43T39346	NUT FLANGE	1
31	43089160	CAP, WATERPROOF	2
32	43T79305	DRAIN NIPPLE	1
33	43T85553	MARK-T	1
34	43T04358	SOUND INSULATION(UP)	1
35	43T04355	SOUND INSULATION(IS)	1
36	43T04332	S-INSU-OUT	1
37	43T04356	SOUND INSULATION(DN)	1

<Inverter assembly GM30>



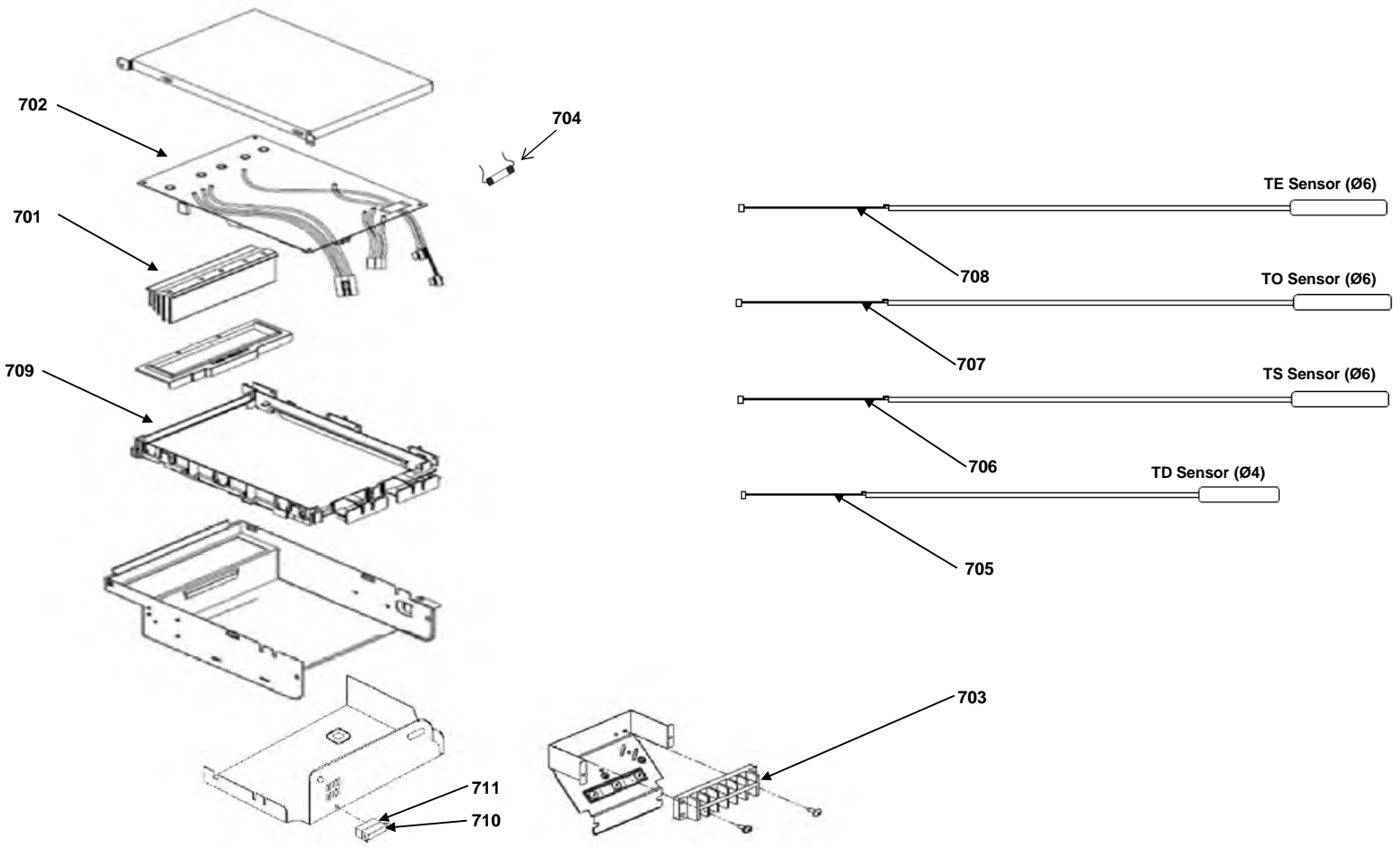
Ref.No.	Parts No.	Description	RAV-
			GM301ATJP-E
701	43T62351	HEATSINK	1
702	43T6W748	PC BOARD ASSY	1
703	43T60384	TERMINAL-6P	1
704	43T60326	FUSE	1
705	43T50369	TEMPERATURE SENSOR	1
706	43T50336	TEMPERATURE SENSOR	1
707	43T50370	TEMPERATURE SENSOR	1
708	43T50371	TEMPERATURE SENSOR	1
709	43T62313	PC PLATE BASE	1
710	43T60463	FUSE	1
711	43T60425	FUSE HOLDER	1

13-3. RAV-GM401ATP-E, RAV-GM401ATP-TR, RAV-GM401ATP-NZ



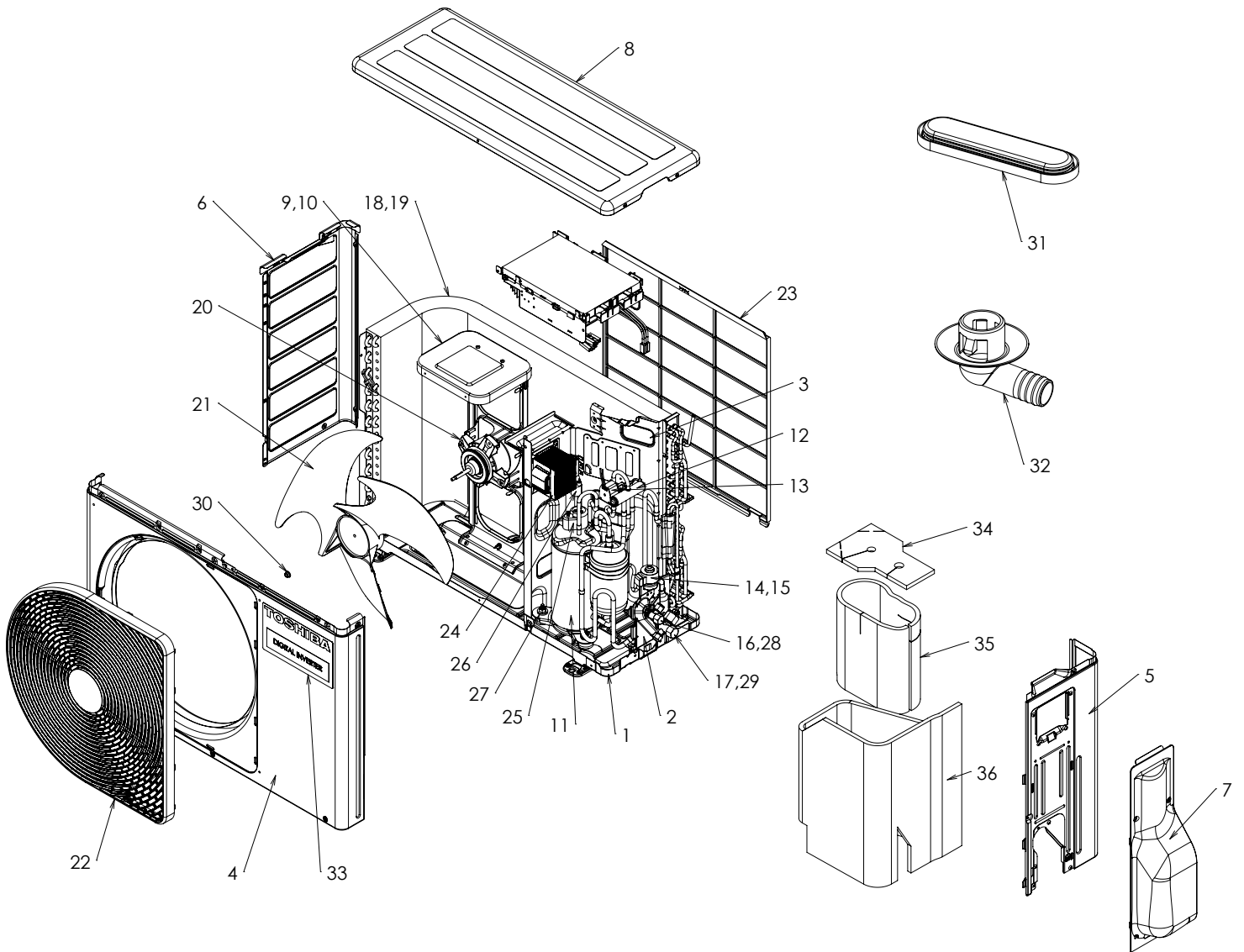
Ref.No.	Parts No.	Description	RAV-		
			GM401ATP-E	GM401ATP-TR	GM401ATP-NZ
1	43T42352	ASM-COAT-BASE	1	1	1
2	43T00653	ASM-COAT-P-F-PV	1	1	1
3	43T00742	PARTITION ASSEMBLY	1	1	1
4	43T00605	ASM-CABI-F-S	1	1	1
5	43T00743	RIGHT CABINET ASSEMBLY	1	1	1
6	43T00602	ASM-COAT-C-S-L	1	1	1
7	43T19352	ASM-COVER-PV	1	1	1
8	43T00604	ASM-COAT-CABI-U	1	1	1
9	43T39348	ASM-M-BASE	1	1	1
11	43T41522	COMPRESSOR	1	1	1
12	43T46367	4 WAY VALVE	1	1	1
13	43T63327	COIL-4WAY	1	1	1
14	43T46469	BODY PMV	1	1	1
15	43T63360	COIL PMV	1	1	1
16	43T46435	VALVE; PACKED 6.35 DIA	1	1	1
17	43T46461	VALVE; PACKED 12.7 DIA	1	1	1
18	43T43561	CONDENSER ASSEMBLY	1	1	1
20	43T21460	FAN MOTOR	1	1	1
21	43T20319	PROPELLER FAN	1	1	1
22	43T19364	FAN GUARD	1	1	1
23	43T19331	FIN GUARD	1	1	1
24	43T58309	REACTOR	1	1	1
25	43T60420	ASM-COMP-LEAD	1	1	1
26	43T63369	SWITCH, PRESSURE	1	1	1
27	43T49327	CUSHION,RUBBER	3	3	3
28	43T47403	BONNET, 6.35 DIA	1	1	1
29	43T47405	BONNET, 12.7 DIA	1	1	1
30	43T39346	NUT FLANGE	1	1	1
31	43089160	CAP, WATERPROOF	2	2	2
32	43T79305	DRAIN NIPPLE	1	1	1
33	43T85553	MARK-T	1	1	1
34	43T04358	SOUND INSULATION(UP)	1	1	1
35	43T04355	SOUND INSULATION(IS)	1	1	1
36	43T04332	S-INSU-OUT	1	1	1

<Inverter assembly GM40>



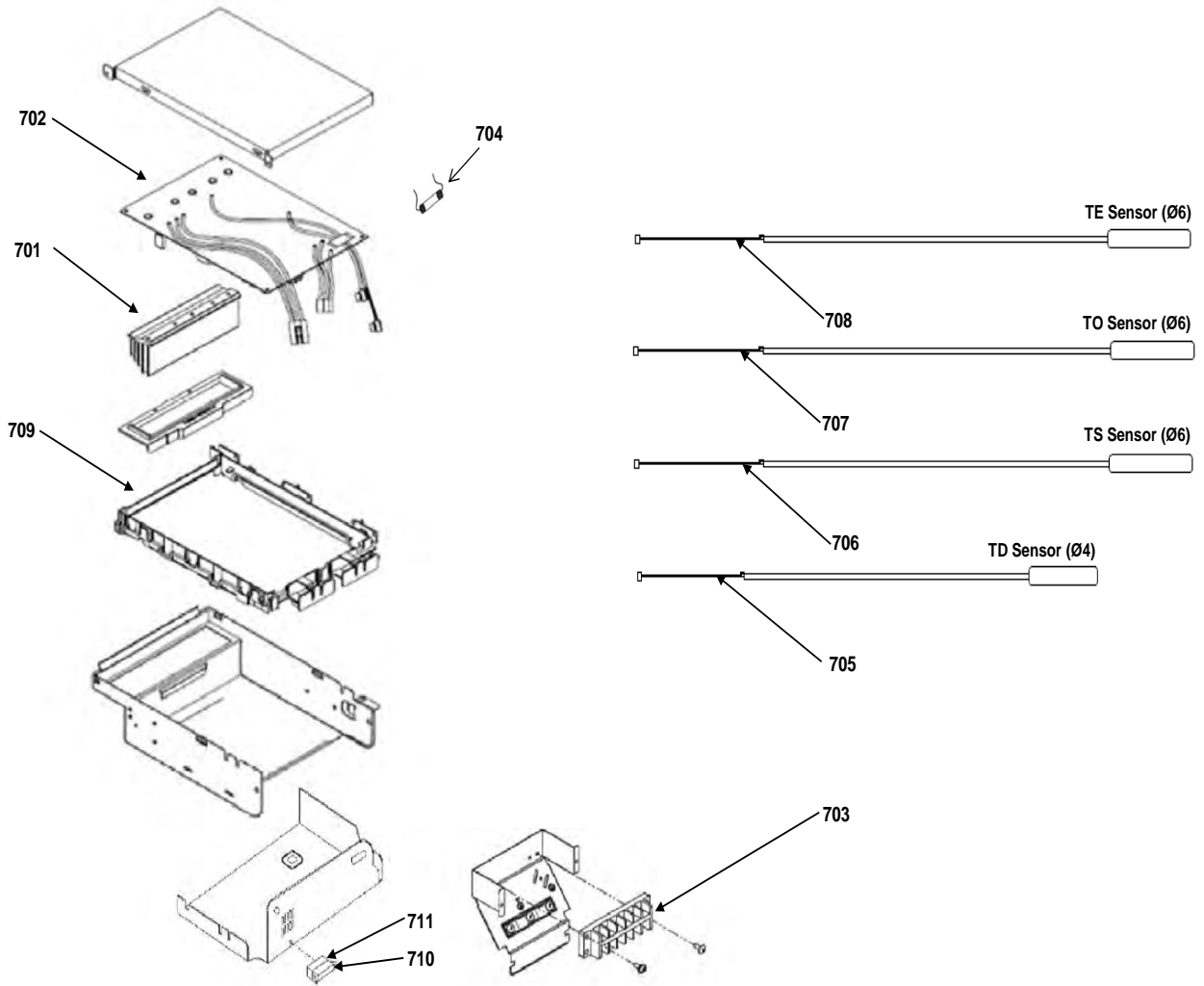
Ref.No.	Parts No.	Description	RAV-		
			GM401ATP-E	GM401ATP-TR	GM401ATP-NZ
701	43T62351	HEATSINK	1	1	1
702	43T6W749	PC BOARD ASSY	1	1	1
703	43T60384	TERMINAL-6P	1	1	1
704	43T60326	FUSE	1	1	1
705	43T50369	TEMPERATURE SENSOR	1	1	1
706	43T50336	TEMPERATURE SENSOR	1	1	1
707	43T50370	TEMPERATURE SENSOR	1	1	1
708	43T50371	TEMPERATURE SENSOR	1	1	1
709	43T62313	PC PLATE BASE	1	1	1
710	43T60463	FUSE	1	1	1
711	43T60425	FUSE HOLDER	1	1	1

13-4. RAV-GM401ATJP-E



Ref.No.	Parts No.	Description	RAV-
			GM401ATJP-E
1	43T42352	ASM-COAT-BASE	1
2	43T00653	ASM-COAT-P-F-PV	1
3	43T00742	PARTITION ASSEMBLY	1
4	43T00605	ASM-CABI-F-S	1
5	43T00743	RIGHT CABINET ASSEMBLY	1
6	43T00602	ASM-COAT-C-S-L	1
7	43T19352	ASM-COVER-PV	1
8	43T00604	ASM-COAT-CABI-U	1
9	43T39348	ASM-M-BASE	1
11	43T41522	COMPRESSOR	1
12	43T46367	4 WAY VALVE	1
13	43T63327	COIL-4WAY	1
14	43T46469	BODY PMV	1
15	43T63360	COIL PMV	1
16	43T46435	VALVE; PACKED 6.35 DIA	1
17	43T46461	VALVE; PACKED 12.7 DIA	1
18	43T43561	CONDENSER ASSEMBLY	1
20	43T21460	FAN MOTOR	1
21	43T20319	PROPELLER FAN	1
22	43T19364	FAN GUARD	1
23	43T19331	FIN GUARD	1
24	43T58309	REACTOR	1
25	43T60420	ASM-COMP-LEAD	1
26	43T63369	SWITCH, PRESSURE	1
27	43T49327	CUSHION,RUBBER	3
28	43T47403	BONNET, 6.35 DIA	1
29	43T47405	BONNET, 12.7 DIA	1
30	43T39346	NUT FLANGE	1
31	43089160	CAP, WATERPROOF	2
32	43T79305	DRAIN NIPPLE	1
33	43T85553	MARK-T	1
34	43T04358	SOUND INSULATION(UP)	1
35	43T04355	SOUND INSULATION(IS)	1
36	43T04332	S-INSU-OUT	1

<Inverter assembly GM40>



Ref.No.	Parts No.	Description	RAV-
			GM401ATJP-E
701	43T62351	HEATSINK	1
702	43T6W749	PC BOARD ASSY	1
703	43T60384	TERMINAL-6P	1
704	43T60326	FUSE	1
705	43T50369	TEMPERATURE SENSOR	1
706	43T50336	TEMPERATURE SENSOR	1
707	43T50370	TEMPERATURE SENSOR	1
708	43T50371	TEMPERATURE SENSOR	1
709	43T62313	PC PLATE BASE	1
710	43T60463	FUSE	1
711	43T60425	FUSE HOLDER	1