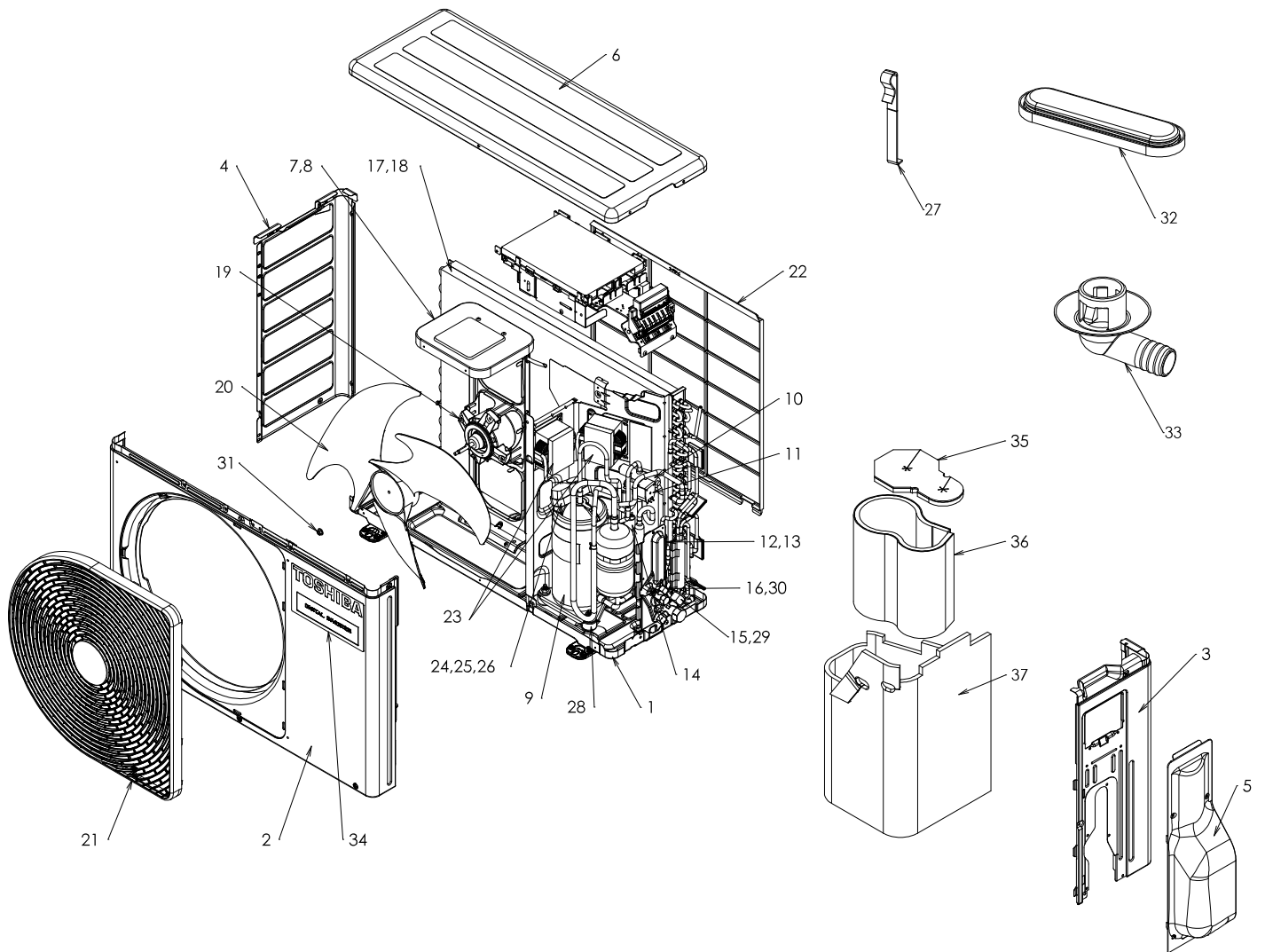


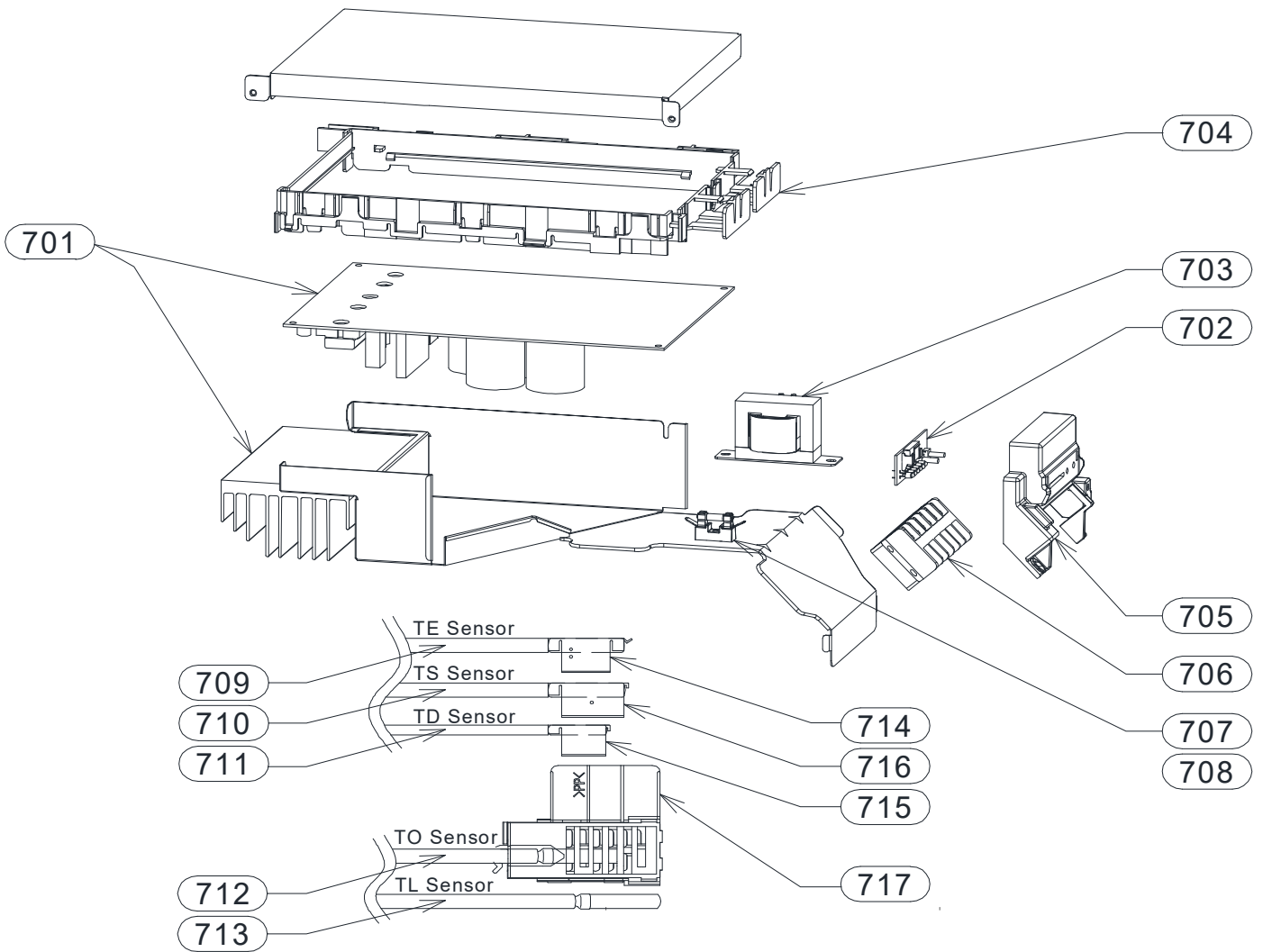
14. EXPLODED VIEWS AND PARTS LIST

14-1. RAV-GM561ATP-E, GM561ATJP-E, GM561ATP-TR, GM561ATP-NZ



Location No.	Part No.	Description	RAV-			
			GM561ATP-E	GM561ATJP-E	GM561ATP-TR	GM561ATP-NZ
1	43T42352	ASM-COAT-BASE	1	1	1	1
2	43T00605	ASM-CABI-F-S	1	1	1	1
3	43T00599	ASM-CABI-SIDE-R	1	1	1	1
4	43T00603	ASM-COAT-C-S-L	1	1	1	1
5	43T19352	ASM-COVER-PV	1	1	1	1
6	43T00604	ASM-COAT-CABI-U	1	1	1	1
7	43T39348	ASM-M-BASE	1	-	1	1
8	43T39347	ASM-M-BASE	-	1	-	-
9	43T41536	COMPRESSOR	1	1	1	1
10	43T46375	4 WAY VALVE	1	1	1	1
11	43T63352	COIL-V-4WAY	1	1	1	1
12	43T46425	BODY-PMV	1	1	1	1
13	43T46430	COIL-PMV	1	1	1	1
14	43T63370	SWITCH, PRESSURE	1	1	1	1
15	43T46374	VALVE;PACKED 12.7DIA(H4)	1	1	1	1
16	43T46358	VALVE;PACKED 6.35 DIA	1	1	1	1
17	43T43491	ASM-COND	1	-	1	1
18	43T43490	ASM-COAT-COND	-	1	-	-
19	43T21375	FAN MOTOR	1	1	1	1
20	43T20319	PROPELLER FAN	1	1	1	1
21	43T19364	FAN GUARD	1	1	1	1
22	43T19331	FIN GUARD	1	1	1	1
23	43T58306	REACTOR	2	2	2	2
24	43T60439	ASM-COMP-LEAD	1	1	1	1
25	43T54319	BIMETAL-THERMO	1	1	1	1
26	43T50307	HOLDER-THERMO	1	1	1	1
27	43T19333	HOLDER, SENSOR	1	1	1	-
27	43T49361	FIX-P-SENSOR	-	-	-	1
28	43T49335	RUBBER CUSHION	3	3	3	3
29	43T47405	BONNET, 12.7 DIA	1	1	1	1
30	43T47403	BONNET, 6.35 DIA	1	1	1	1
31	43047669	NUT, FLANGE	1	1	1	1
32	43089160	CAP, WATERPROOF	2	2	2	2
33	43T79305	DRAIN NIPPLE	1	1	1	1
34	43T85553	MARK-T	1	1	1	1
35	43T04315	S-INSU(UP)	1	1	1	1
36	43T04316	SOUND-INSU(IS)	1	1	1	1
37	43T04317	SOUND-INSU(OS)	1	1	1	1

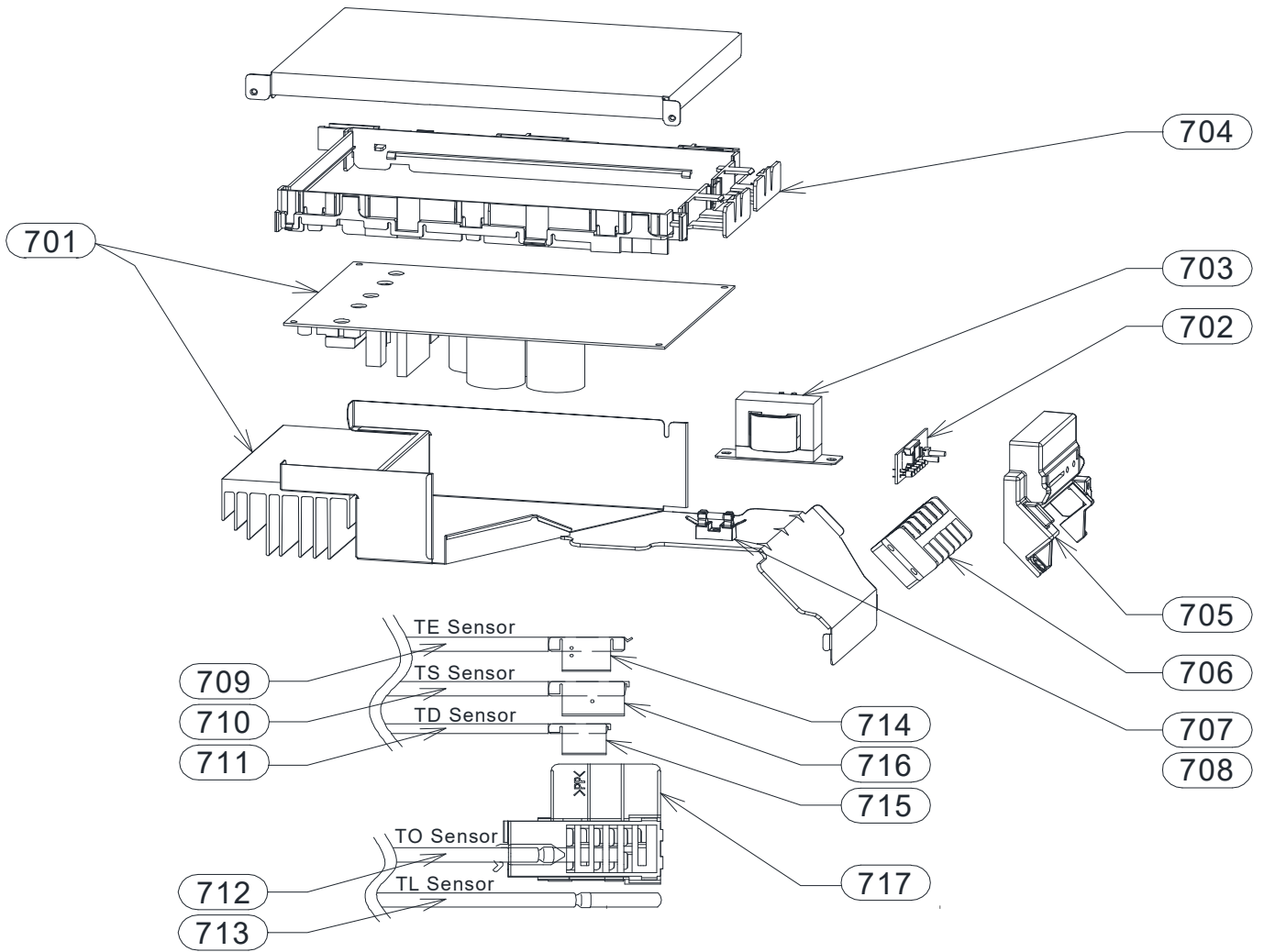
<Inverter assembly GM56>



Location No.	Part No.	Description	RAV-			
			GM561ATP-E	GM561ATJP-E	GM561ATP-TR	GM561ATP-NZ
701	43T6W750	ASM-L-PCB+HEATSINK	1	1	1	1
702	43T6V418	ASM-PCB	1	1	1	1
703	43T60422	REACTOR(CH-76)	1	1	1	1
704	43T62313	BASE-PLATE-PC	1	1	1	1
705	43T61320	ASM-BASE-PL-SUB-PC	1	1	1	1
706	43T60423	TERMINAL	1	1	1	1
707	43T60426	FUSE	1	1	1	1
708	43T60425	FUSE-HOLDER	1	1	1	1
709	43T50352	TC-SENSOR(TE)	1	1	1	1
710	43T50353	TC-SENSOR(TS)	1	1	1	1
711	43T50334	SENSOR(TD)	1	1	1	1
712	43T50337	SENSOR(TO)	1	1	1	1
713	43T50335	SENSOR(TL)	1	1	1	1
714	43T63318	HOLDER-SENSOR(TE)	1	1	1	1
715	43T63317	HOLDER-SENSOR(TD)	1	1	1	1
716	43T63323	HOLDER-SENSOR(TS)	1	1	1	1
717	43T63319	SENSOR-HOLDER(TO)	1	1	1	1

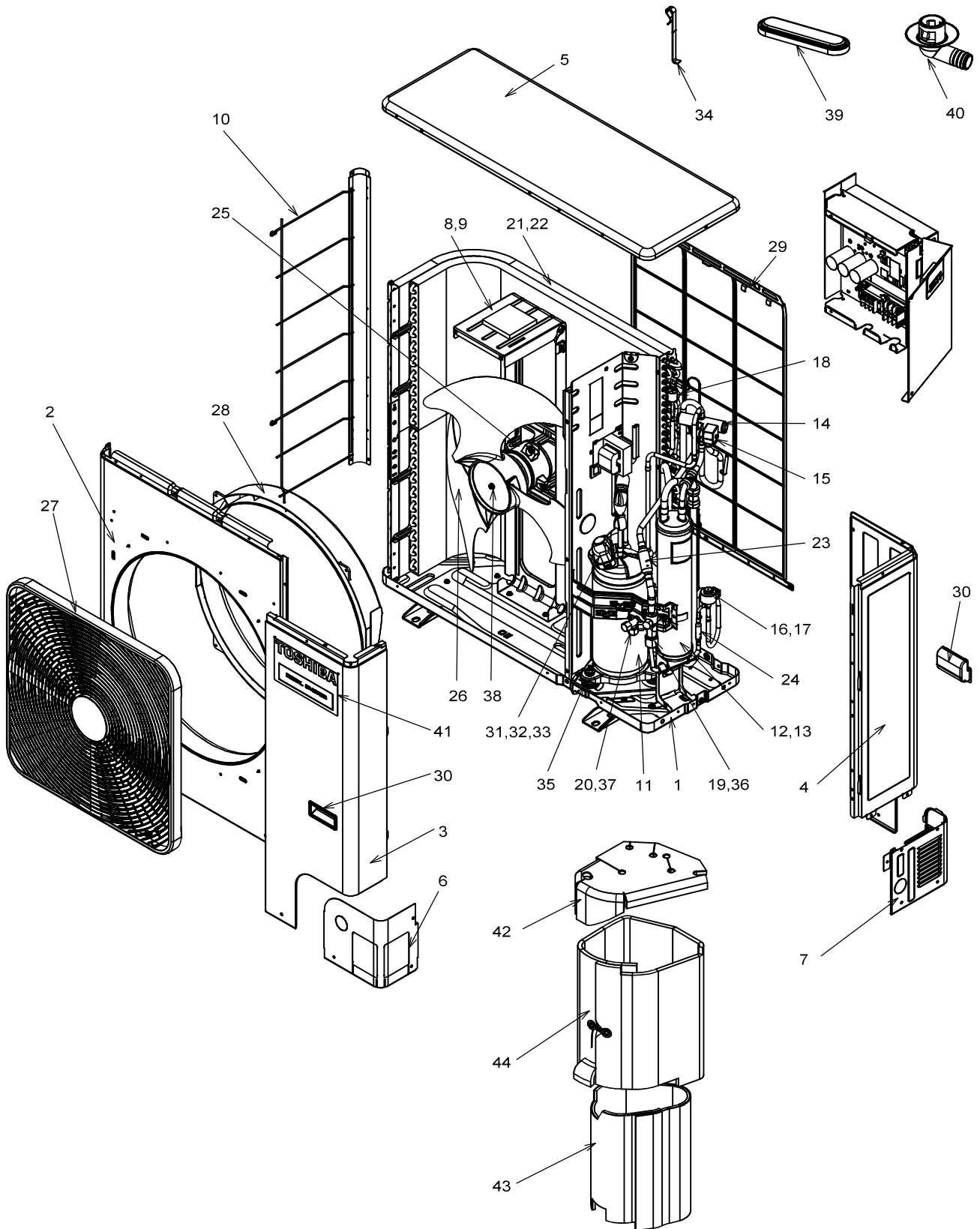
Location No.	Part No.	Description	RAV-			
			GM801ATP-E	GM801ATJP-E	GM801ATP-TR	GM801ATP-NZ
1	43T42352	ASM-COAT-BASE	1	1	1	1
2	43T00605	ASM-CABI-F-S	1	1	1	1
3	43T00599	ASM-CABI-SIDE-R	1	1	1	1
4	43T00602	ASM-COAT-C-S-L	1	1	1	1
5	43T19352	ASM-COVER-PV	1	1	1	1
6	43T00604	ASM-COAT-CABI-U	1	1	1	1
7	43T39348	ASM-M-BASE	1	-	1	1
8	43T39347	ASM-M-BASE	-	1	-	-
9	43T41536	COMPRESSOR	1	1	1	1
10	43T48302	ASM-ACCUM	1	1	1	1
12	43T46383	VALVE-4WAY	1	1	1	1
13	43T63352	COIL-V-4WAY	1	1	1	1
14	43T46425	BODY-PMV	1	1	1	1
15	43T46430	COIL-PMV	1	1	1	1
16	43T63370	SWITCH, PRESSURE	1	1	1	1
17	43T46386	VALVE,PACKED,15.88 DIA	1	1	1	1
18	43T46380	VALVE;PACKED 9.52 DIA	1	1	1	1
19	43T43471	ASM-COND	1	-	1	1
20	43T43487	WORK-COND	-	1	-	-
21	43T21375	FAN MOTOR	1	1	1	1
22	43T20319	PROPELLER FAN	1	1	1	1
23	43T19364	FAN GUARD	1	1	1	1
24	43T19331	FIN GUARD	1	1	1	1
25	43T58306	REACTOR	2	2	2	2
26	43T60439	ASM-COMP-LEAD	1	1	1	1
27	43T54319	BIMETAL-THERMO	1	1	1	1
28	43T50307	HOLDER-THERMO	1	1	1	1
29	43T19333	HOLDER, SENSOR	1	1	1	-
29	43T49361	HOLDER, SENSOR	-	-	-	1
30	43T49335	RUBBER CUSHION	3	3	3	3
31	43T47410	BONNET (15.9D)	1	1	1	1
32	43T47404	BONNET, 9.52 DIA	1	1	1	1
33	43047669	NUT, FLANGE	1	1	1	1
34	43089160	CAP, WATERPROOF	2	2	2	2
35	43T79305	DRAIN NIPPLE	1	1	1	1
36	43T85553	MARK-T	1	1	1	1
37	43T04358	SOUND INSULATION(UP)	1	1	1	1
38	43T04357	SOUND INSULATION(IS)	1	1	1	1
39	43T04332	SOUND INSULATION(OUT)	1	1	1	1

<Inverter assembly GM80>



Location No.	Part No.	Description	RAV-			
			GM801ATP-E	GM801ATJP-E	GM801ATP-TR	GM801ATP-NZ
701	43T6W751	ASM-L-PCB+HEATSINK	1	1	1	1
702	43T6V418	ASM-PCB	1	1	1	1
703	43T60422	REACTOR(CH-76)	1	1	1	1
704	43T62313	BASE-PLATE-PC	1	1	1	1
705	43T61320	ASM-BASE-PL-SUB-PC	1	1	1	1
706	43T60423	TERMINAL	1	1	1	1
707	43T60426	FUSE	1	1	1	1
708	43T60425	FUSE-HOLDER	1	1	1	1
709	43T50352	TC-SENSOR(TE)	1	1	1	1
710	43T50353	TC-SENSOR(TS)	1	1	1	1
711	43T50334	SENSOR(TD)	1	1	1	1
712	43T50337	SENSOR(TO)	1	1	1	1
713	43T50335	SENSOR(TL)	1	1	1	1
714	43T63318	HOLDER-SENSOR(TE)	1	1	1	1
715	43T63317	HOLDER-SENSOR(TD)	1	1	1	1
716	43T63323	HOLDER-SENSOR(TS)	1	1	1	1
717	43T63319	SENSOR-HOLDER(TO)	1	1	1	1

14-3. RAV-GM1101ATP-E, GM1101ATJP-E, GM1101ATP-TR, GM1101ATP-NZ
 RAV-GM1401ATP-E, GM1401ATPJ-E, GM1401ATP-TR, GM1401ATP-NZ



Location No.	Part No.	Description	RAV-GM							
			1101 ATP-E	1101 ATJP-E	1101 ATP-TR	1101 ATP-NZ	1401 ATP-E	1401 ATJP-E	1401 ATP-TR	1401 ATP-NZ
1	43T42351	ASM-BASE	1	1	1	1	1	1	1	1
2	43T00606	ASM-COAT-C-A-T	1	1	1	1	1	1	1	1
3	43T00601	ASM-PANEL-FRONT	1	1	1	1	1	1	1	1
4	43T00607	ASM-COAT-P-S-R	1	1	1	1	1	1	1	1
5	43T00600	UPPER CABINET ASSEMBLY	1	1	1	1	1	1	1	1
6	43T00608	ASM-COAT-P-P-FR	1	1	1	1	1	1	1	1
7	43T00609	ASM-COAT-P-P-BK	1	1	1	1	1	1	1	1
8	43T39342	MOTOR BASE	1	-	1	1	1	-	1	1
9	43T39349	ASM-COAT-BASE-M	-	1	-	-	-	1	-	-
10	43T19346	FIN GUARD ASSEMBLY	1	1	1	1	1	1	1	1
11	43T41537	COMPRESSOR	1	1	1	1	1	1	1	1
12	43T48321	ACCUMULATOR ASSEMBLY	1	-	1	1	1	-	1	1
13	43T48322	ACCUMULATOR ASSEMBLY	-	1	-	-	-	1	-	-
14	43T46383	VALVE-4WAY	1	1	1	1	1	1	1	1
15	43T63352	COIL-V-4WAY	1	1	1	1	1	1	1	1
16	43T46387	VALVE,PULSE,MODULATING	1	1	1	1	1	1	1	1
17	43T63351	COIL-PMV	1	1	1	1	1	1	1	1
18	43T63370	SWITCH, PRESSURE	1	1	1	1	1	1	1	1
19	43T46381	VALVE;BALL 15.88 DIA	1	1	1	1	1	1	1	1
20	43T46380	VALVE;PACKED 9.52 DIA	1	1	1	1	1	1	1	1
21	43T43589	CONDENSER ASSEMBLY	1	-	1	1	1	-	1	1
22	43T43590	CONDENSER ASSEMBLY	-	1	-	-	-	1	-	-
23	43T47372	STRAINER	1	1	1	1	1	1	1	1
24	43T47396	STRAINER	1	1	1	1	1	1	1	1
25	43T60442	ASM-SERV-MOT	1	1	1	1	1	1	1	1
26	43T20352	FAN-PR(PB522)	1	1	1	1	1	1	1	1
27	43T19372	FAN GUARD	1	1	1	1	1	1	1	1
28	43T22313	BELLMOUTH	1	1	1	1	1	1	1	1
29	43T19345	FIN GUARD	1	1	1	1	1	1	1	1
30	43T71302	HANDLE	2	2	2	2	2	2	2	2
31	43T60443	ASM-LEAD-COMP	1	1	1	1	1	1	1	1
32	43T54319	BIMETAL-THERMO	1	1	1	1	1	1	1	1
33	43T50307	HOLDER-THERMO	1	1	1	1	1	1	1	1
34	43T19333	HOLDER, SENSOR	1	1	1	-	1	1	1	-
34	43T49361	FIX-P-SENSOR	-	-	-	1	-	-	-	1
35	43T49346	RUBBER CUSHION	3	3	3	3	3	3	3	3
36	43T47410	BONNET (15.9D)	1	1	1	1	1	1	1	1
37	43T47404	BONNET, 9.52 DIA	1	1	1	1	1	1	1	1
38	43047669	NUT, FLANGE	1	1	1	1	1	1	1	1
39	43089160	CAP, WATERPROOF	5	5	5	5	5	5	5	5
40	43T79305	DRAIN NIPPLE	1	1	1	1	1	1	1	1
41	43T85553	MARK-T	1	1	1	1	1	1	1	1
42	43T04314	SOUND-INSU(UP)	1	1	1	1	1	1	1	1
43	43T04312	SOUND-INSU(IS)	1	1	1	1	1	1	1	1
44	43T04313	SOUND-INSU(OS)	1	1	1	1	1	1	1	1

Location No.	Part No.	Description	RAV-	
			GM1101ATP-E GM1101ATJP-E GM1101ATP-TR GM1101ATP-NZ	GM1401ATP-E GM1401ATJP-E GM1401ATP-TR GM1401ATP-NZ
701	43T6W753	ASM-L-PCB	1	-
701	43T6W754	ASM-L-PCB	-	1
702	43T6V418	ASM-PCB	1	1
703	43T95301	SUPPORT, SPACER	2	2
704	43T95302	SPACER (EDGE)	1	1
705	43T61319	SPACER(COLLAR)	2	2
706	43T61315	SPACER(BUSH)	2	2
707	43T61321	ASM-BASE-PL-SUB-PC	1	1
708	43T60405	TERMINAL (power supply)	1	1
709	43T60427	TERMINAL (to indoor unit)	1	1
710	43T60413	FUSE(10A/250V)	1	1
711	43T60425	FUSE-HOLDER	1	1
712	43T50336	SENSOR(TS)	1	1
713	43T50338	SENSOR(TE)	1	1
714	43T50337	SENSOR(TO)	1	1
715	43T50346	SENSOR(TD)	1	1
716	43T50335	SENSOR(TL)	1	1
717	43T63323	HOLDER-SENSOR(TS)	1	1
718	43T63318	HOLDER-SENSOR(TE)	1	1
719	43T63335	HOLDER-SENSOR(TO)	1	1
720	43T63317	HOLDER-SENSOR(TD)	1	1
721	43T60444	ASM-CAPA	1	1