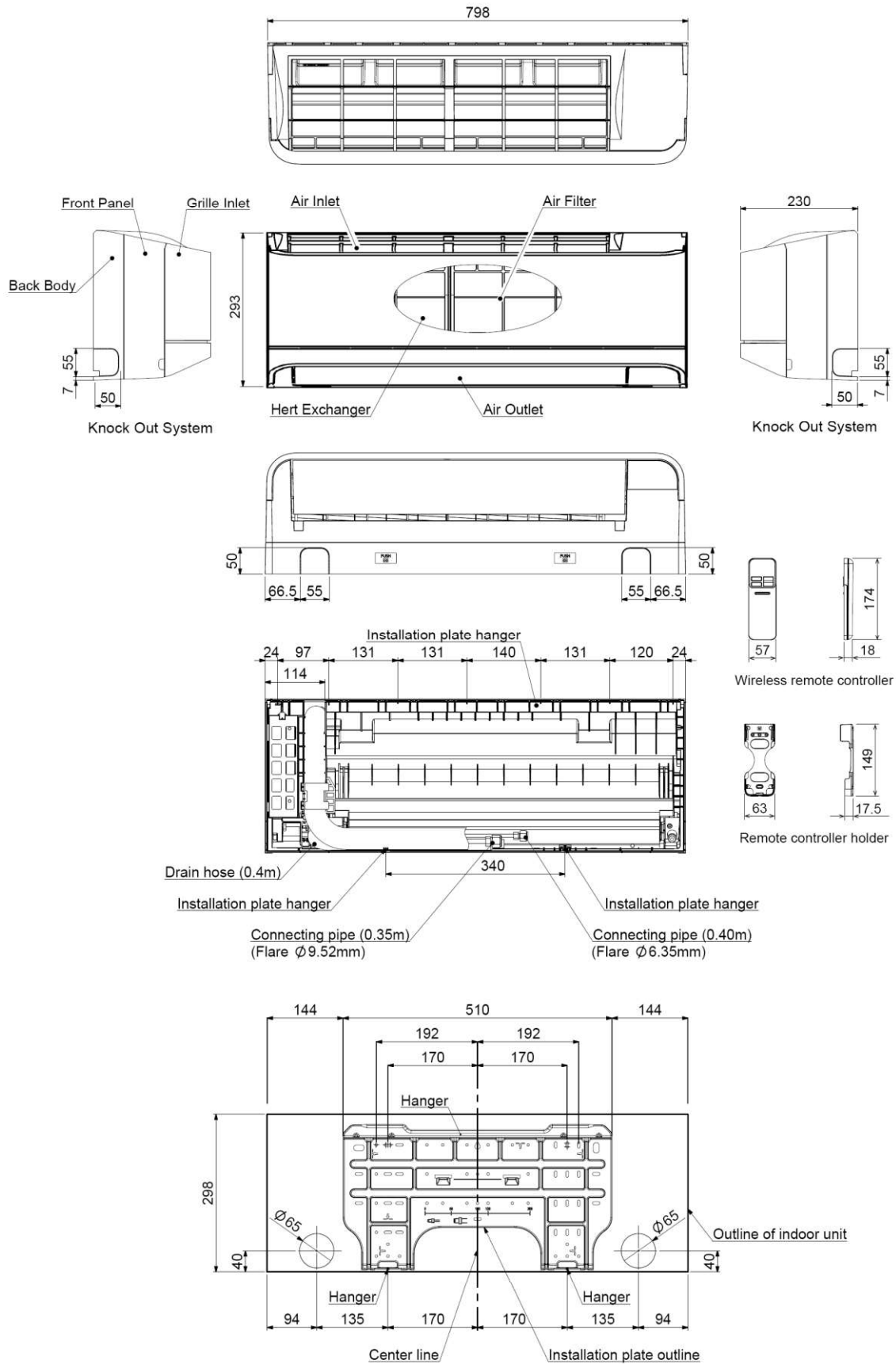


# Dimensions of Indoor units

## RAS-10PKVSG-E, RAS-13PKVSG-E, RAS-16PKVSG-E



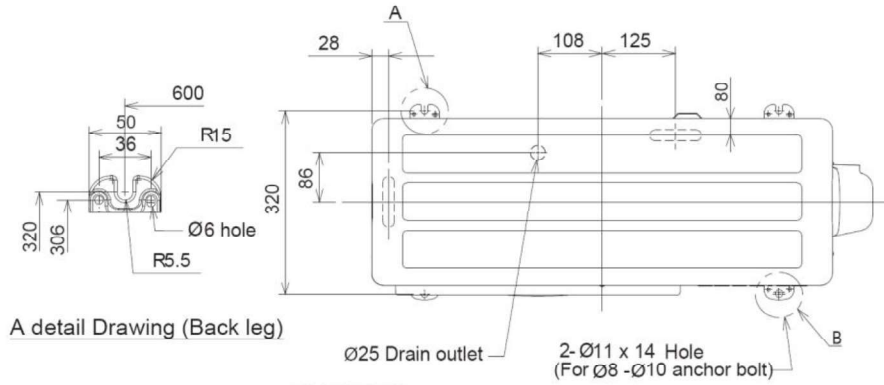




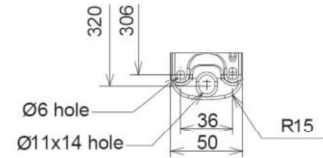
# Dimensions of outdoor units

## RAS-18PAVSG-E, RAS-22PAVSG-E

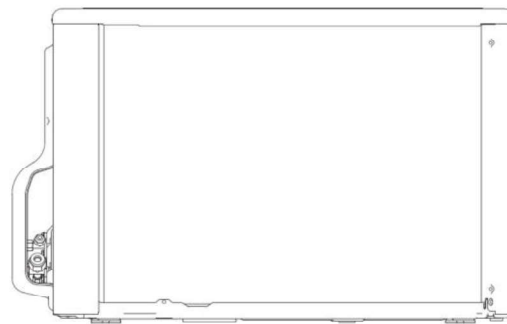
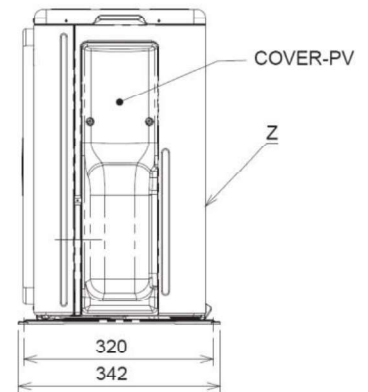
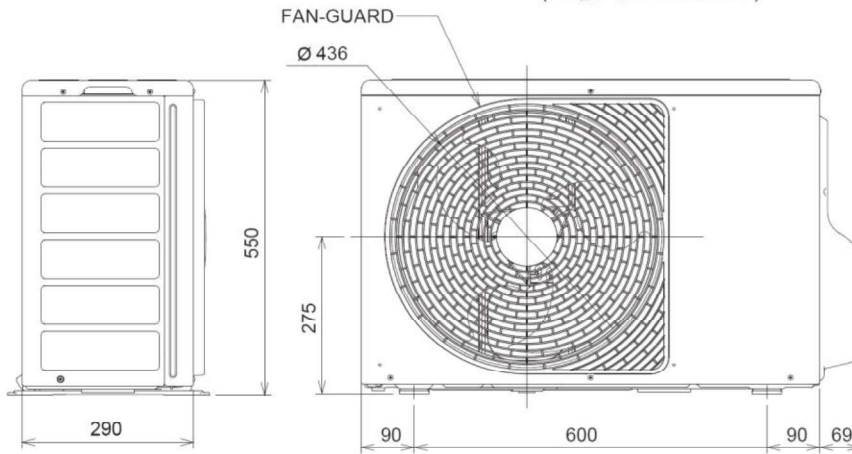
(Unit : mm)



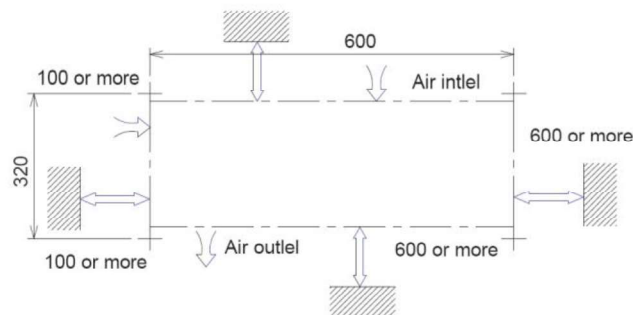
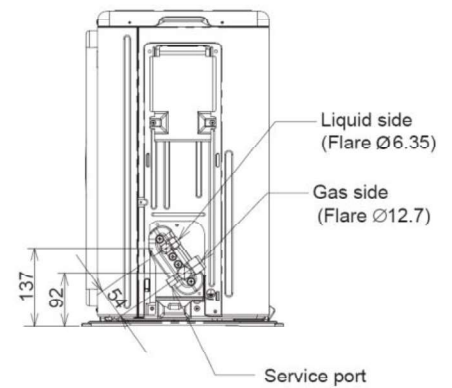
A detail Drawing (Back leg)



B Detail Drawing (Front leg)



Z View



Installation dimension

# Dimensions of outdoor units

## RAS-24PAVSG-E

(Unit : mm)

