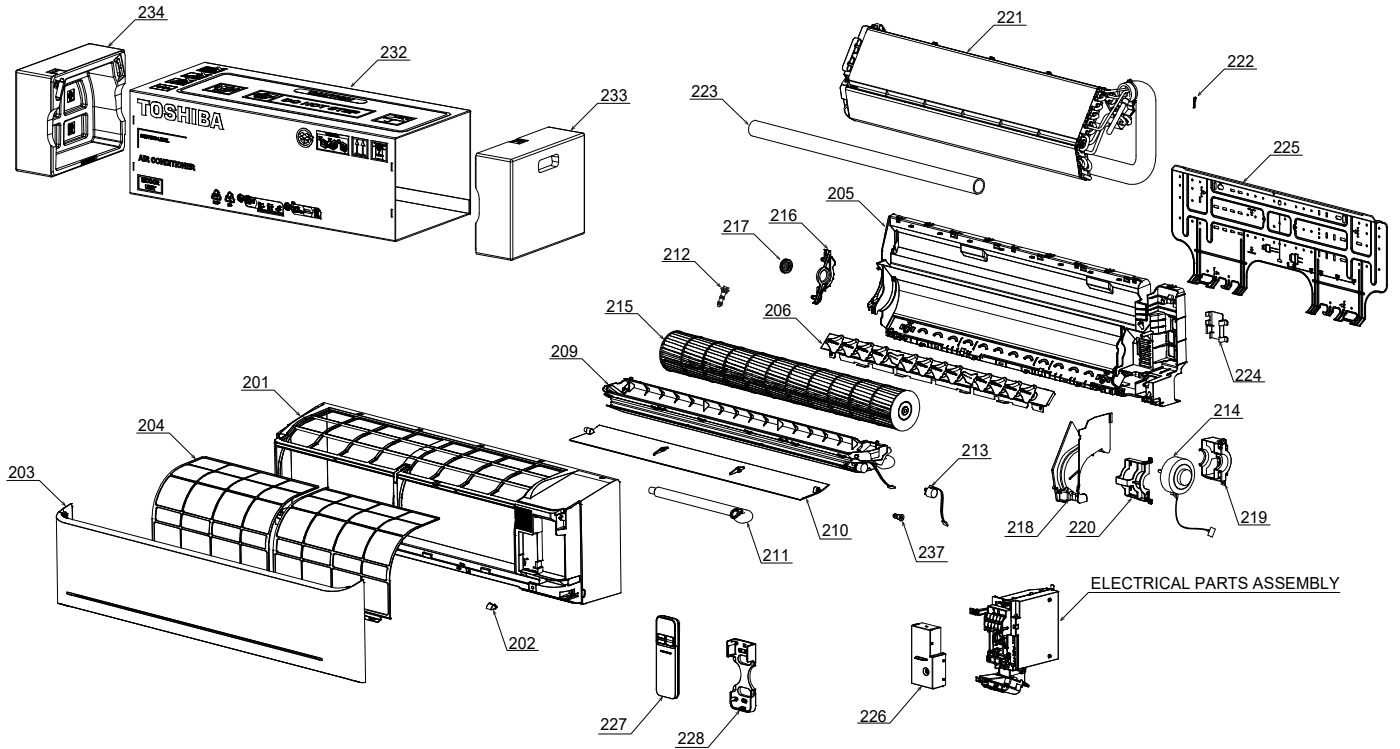


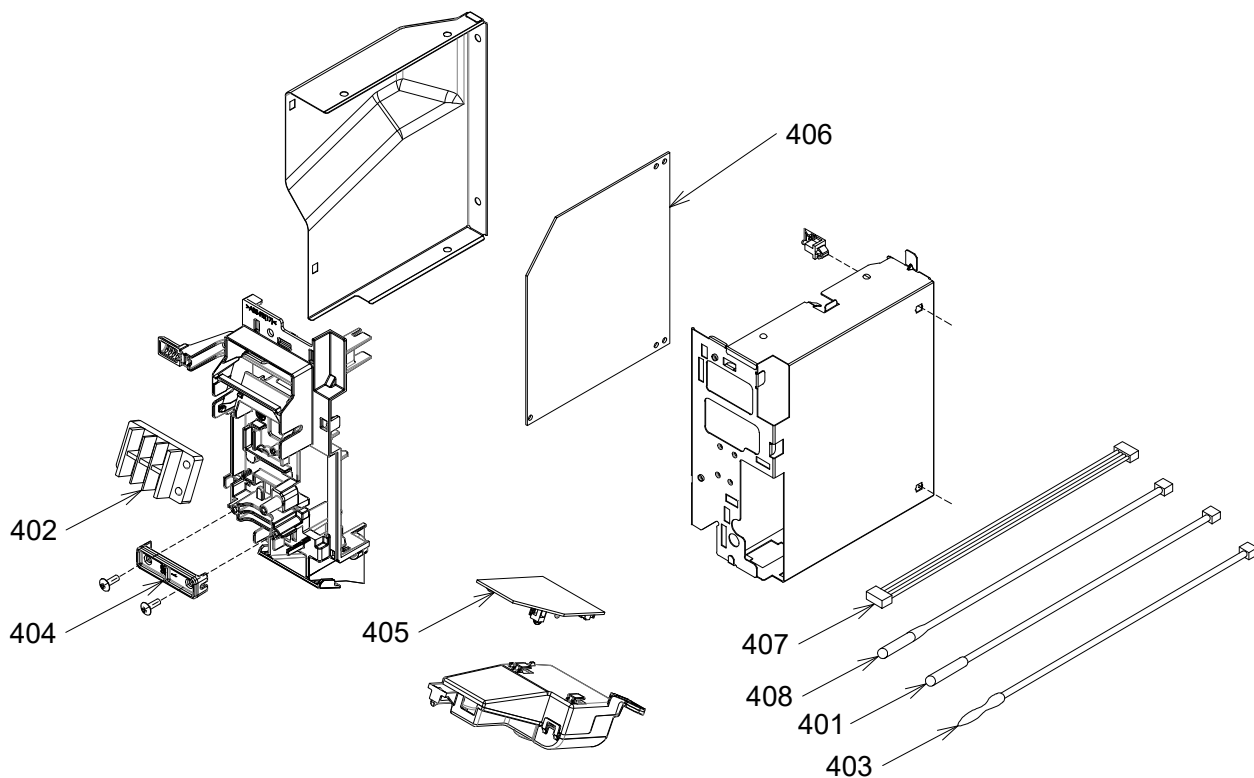
13. EXPLODED VIEWS AND PARTS LIST

13-1. Indoor Unit



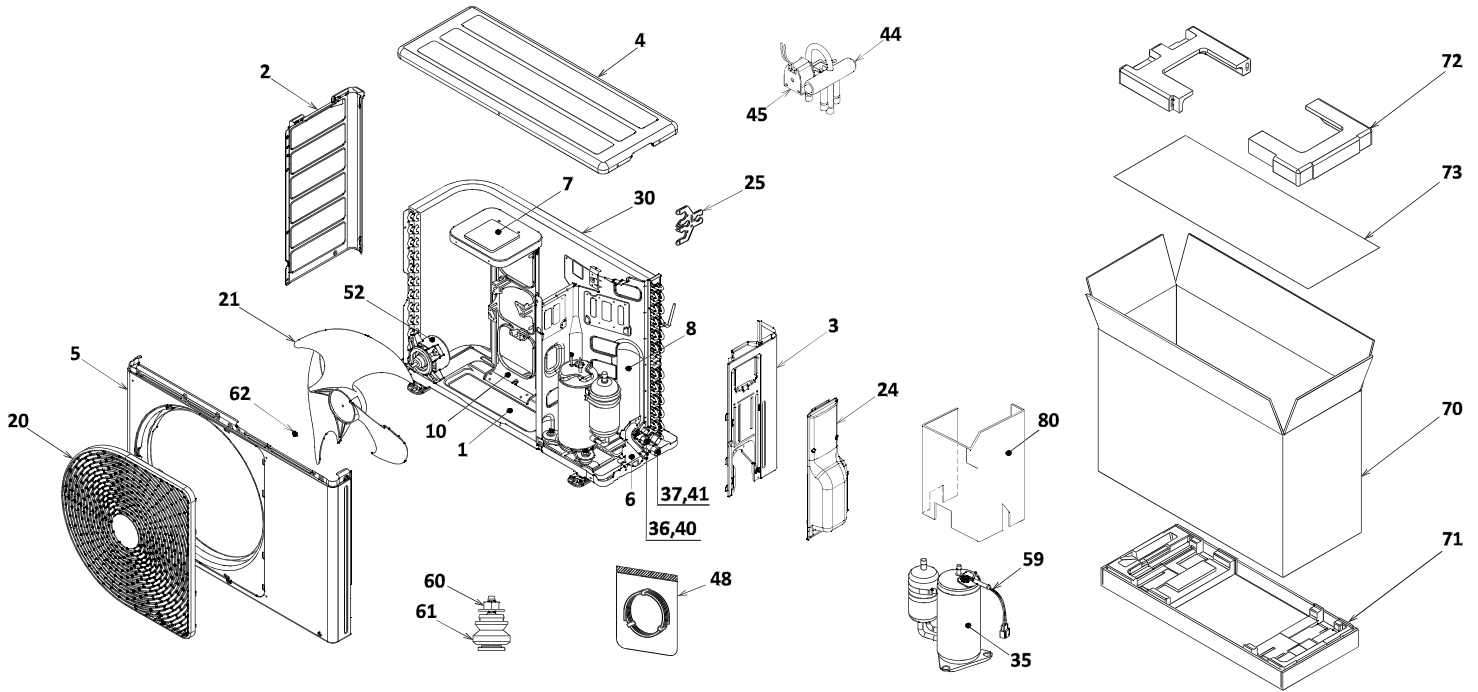
Location No.	Part No.	Description	Location No.	Part No.	Description
201	43T00883	FRONT PANEL ASSY	218	43T39384	MOTOR COVER
202	43T00715	CAP SCREW	219	43T39455	MOTOR BAND BACK ASSY
203	43T09614	GRILLE OF AIR INLET ASSY	220	43T39382	MOTOR BAND FRONT
204	43T80358	AIR FILTER	221	43T44848	REFRIGERANT CYCLE ASSEMBLY
205	43T03407	BACK BODY ASSY	222	43T19333	HOLDER, SENSOR
206	43T22357	VERTICAL LOUVER ASSY	223	43T11342	PIPE-SHIELD
209	43T72414	DRAIN PAN ASSY	224	43T49043	HOLDER, PIPE
210	43T22354	HORIZONTAL LOUVER	225	43T82008	PLATE, INSTALLATION
211	43T70321	DRAIN HOSE	226	43T62360	TERMINAL COVER ASSY
212	43T79322	DRAIN CAP	227	43T66433	WIRELESS REMOCO (WH-TG01NE)
213	43T21546	STEPPING-MOTOR (24BYJ48-STHL)	228	43T83305	HOLDER, REMOTE CONTROL
214	43T21543	FAN-MOTOR(WDF-340-30CA)	232	43T91333	PACKING SLEEVE
215	43T20357	CROSS FLOW FAN ASSY	233	43T91334	PACKING CUSHION RIGHT
216	43T39385	BASE BEARING	234	43T91335	PACKING CUSHION LEFT
217	43T22312	BEARING ASSY, MOLD	237	43125202	COVER-AXIS

13-2. Indoor Unit (Part-E)



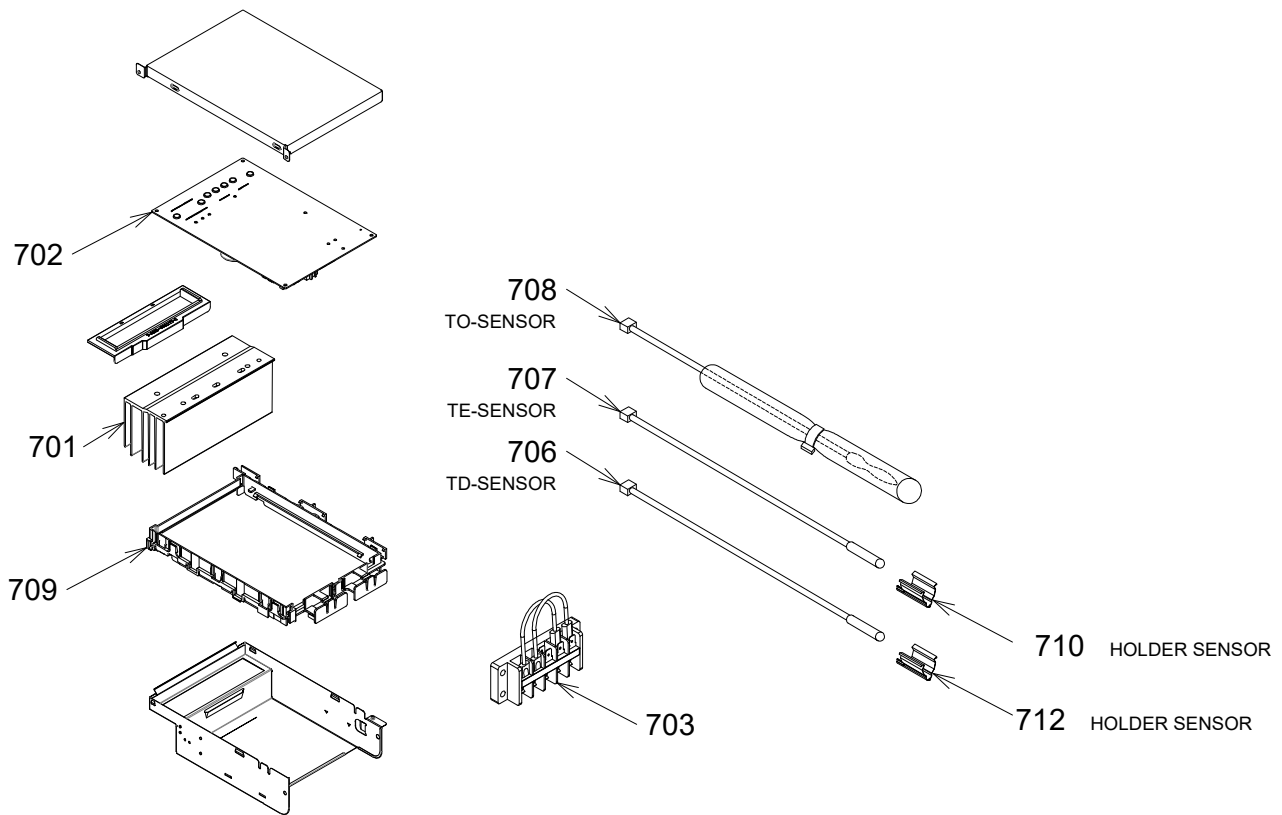
Location No.	Part No.	Description	Location No.	Part No.	Description
401	43T50393	TEMPERATURE SENSOR	405	43T6W441	PC BOARD ASSY:WRS-LED
402	43T60331	TERMINAL, 3P	406	43TNV383	PC BOARD (WP-048)
403	43T50392	SENSOR,THERMOSTAT	407	43T60502	HOUSING-WiFi
404	43T62340	CORD-CLAMP	408	43T50306	TEMPERATURE SENSOR

13-3. Outdoor Unit



Location No.	Part No.	Description	Location No.	Part No.	Description
1	43T42382	BASE PLATE ASSEMBLY	40	43T46540	VALVE; PACKED 6.35 DIA
2	43T00459	LEFT CABINET	41	43T46572	VALVE; PACKED 12.7 DIA
3	43T00690	RIGHT CABINET ASSEMBLY	44	43T46367	4 WAY VALVE
4	43T00735	UPPER CABINET ASSEMBLY	45	43T63327	COIL-4WAY
5	43T00688	FRONT CABINET ASSEMBLY	48	43T47014	CAPILLARY TUBE; 1.7DIA
6	43T00448	FIXING PLATE VALVE	52	43T21547	MOTOR FAN
7	43T39333	MOTOR BASE CONNECTION PLATE	59	43T60497	LEAD ASSY, COMPRESSOR
8	43T04500	GUIDE WIND PARTITION ASSEMBLY	60	43T97001	NUT
10	43T39393	MOTOR BASE	61	43T49327	RUBBER CUSHION
21	43T20365	PROPELLER FAN	62	43T47001	NUT FLANGE
24	43T00939	PACKED-VALVE COVER ASSEMBLY	70	43T91343	CARTON BOX
25	43T63376	HOLDER, SENSOR	71	43T91435	FIBERBOARD UNDER ASSEMBLY
30	43T43657	CONDENSER ASSEMBLY	72	43T91314	CUSHION-PKG-UPR
35	43T41608	COMPRESSOR	73	43T91301	PE SHEET
36	43T47403	BONNET, 6.35 DIA	80	43T04510	SOUND INSULATION OUTSIDE
37	43T47405	BONNET, 12.7 DIA			

13-4. Outdoor Unit (Part-E)



Location No.	Part No.	Description
701	43T67310	HEATSINK
702	43TNV391	PC BOARD (WP-528)
703	43T60553	TERMINAL(5P-W)
706	43T60465	TEMPERATURE SENSOR
707	43T50352	TEMPERATURE SENSOR

Location No.	Part No.	Description
708	43T50452	SENSOR-TA(TO)
709	43T62313	PC PLATE BASE
710	43T63318	HOLDER SENSOR
712	43T63317	HOLDER,SENSOR