

◆SERVICE PARTS LIST

RUAGP421H*(N)8E/TR (30KQA050(N) 4803 EU/TR 2*)

RUAGP511H*(N)8E/TR (30KQA060(N) 4803 EU/TR 2*)

RUAGP561H*(N)8E/TR (30KQA070(N) 4803 EU/TR 2*)

(Water pump size (1:1.5kW, 2:2.2kW, 3:3.7kW, 5:5.5kW,7:7.5kW)
apply to those marked with [*].)

When ordering service parts, please inform us of
the serial number of the UNIT as well as
part number.

ITEM	PART DESCRIPTION	PART NUMBER	T/ P (JPY) *FOB JPN IN JPY		RUAGP					
					421H1/2/3(N)	511H1/2/3(N)	561H2/3(N)	421H5/7(N)	511H5/7(N)	561H5/7(N)
Note: This parts list is a special edition for publication in this magazine.										
1	DC FAN MOTOR	43R21182	65,520	HE83BB40021	4	4	4	4	4	4
2	COMPRESSOR	437KD297 (FUJD)	163,800	BK650037010K	4	4	4	4	4	4
3	PMV ASSEMBLY	43R46151	8,779	30KQA47031521	4	4	4	4	4	4
4	PMV COIL PMV A1/C1	437KP245	1,555	EF29PA00121	2	2	2	2	2	2
5	PMV COIL PMV A2/C2	437KP246	1,555	EF29PA00221	2	2	2	2	2	2
6	PMV COIL PMV B1/D1	437KP247	1,555	EF29PA00321	2	2	2	2	2	2
7	PMV COIL PMV B2/D2	437KP248	1,555	EF29PA00421	2	2	2	2	2	2
8	4WAY VALVE ASSEMBLY (A/C)	437KP304	34,441	30YHA46030321	2	2	2	2	2	2
9	4WAY VALVE ASSEMBLY (B/D)	437KP305	34,749	30YHA46030421	2	2	2	2	2	2
10	COIL, 4WAY VALVE 20SF-A,B,C,D	431K6138	818	EF19ZS20121	4	4	4	4	4	4
11	COIL, SOLENOID VALVE 20SV-A,B,C,D	437KP268	1,278	EF29BE21121	4	4	4	4	4	4
12	INJECTION PIPE ASSEMBLY	437KR396	1,206	30KQA46034021	4	4	4	4	4	4
13	PMV COIL	43R46145	2,633	EF29FA00421	4	4	4	4	4	4
14	COIL ASSEMBLY (A-L)	437KH352	130,309	30YHA46050521	1	1	1	1	1	1
15	COIL ASSEMBLY (A-R)	437KH327	146,982	30YHA46051521	1	1	1	1	1	1
16	COIL ASSEMBLY (C-L / B,D-R)	437KH282	130,046	30YHA46050621	3	3	3	3	3	3
17	COIL ASSEMBLY (C-R / B,D-L)	437KH283	130,046	30YHA46051621	3	3	3	3	3	3
18	THERMISTOR SENSOR (for DGT SERVICE)	437MB407	5,002	30UHA64071621	4	4	4	4	4	4
19	THERMISTOR SENSOR (for SERVICE)	437MB370	5,002	30UHA64071021	16	16	16	16	16	16
20	COOLING FAN	437FB042	14,612	30KQA4627532B	3	3	3	3	3	3
21	HIF BOARD ASSEMBLY	437PW493	6,590	30KQA46073021	1	1	1	1	1	1
22	UC-CPU BOARD UC-CPU	437PW495	13,493	99PCB444KQA10721	1	1	1	1	1	1
23	UC-IO BOARD UC-IO	437PW462	14,058	99PCB462IOBA4021	1	1	1	1	1	1
24	FILTER BOARD NF1	437MM052	7,124	66RBP-NOISEF-V	1	1	1	1	1	1
25	LINE FILTER (RED)	437PB252	2,282	66C001059601	1	1	1	1	1	1
26	POWER BOARD (DC24V-150W) PB2	437PW332	7,898	HT50PT10621	1	1	1	1	1	1
27	PMW BOARD PWM(A/B)	437PW385	39,488	99PCB496YEA91421	2	2	2	2	2	2
28	FILTER BOARD NF(A/B)	437MM056	8,557	66DC00100031	2	2	2	2	2	2
29	LINE FILTER (RED)	437PB252	2,282	66C001059601	2	2	2	2	2	2
30	PMW BOARD PWM(C/D)	437PW385	39,488	99PCB496YEA91421	2	2	2	2	2	2
31	FILTER BOARD NF(C/D)	437MM056	8,557	66DC00100031	2	2	2	2	2	2
32	LINE FILTER (RED)	437PB252	2,282	66C001059601	2	2	2	2	2	2

◆SERVICE PARTS LIST

RUAGP421H*(N)8E/TR (30KQA050(N) 4803 EU/TR 2*)

RUAGP511H*(N)8E/TR (30KQA060(N) 4803 EU/TR 2*)

RUAGP561H*(N)8E/TR (30KQA070(N) 4803 EU/TR 2*)

(Water pump size (1:1.5kW, 2:2.2kW, 3:3.7kW, 5:5.5kW,7:7.5kW) apply to those marked with 「*」.)

When ordering service parts, please inform us of the serial number of the UNIT as well as part number.

ITEM	PART DESCRIPTION	PART NUMBER	T/ P (JPY) *FOB JPN IN JPY		RUAGP						
					421H1/2/3(N)	511H1/2/3(N)	561H2/3(N)	421H5/7(N)	511H5/7(N)	561H5/7(N)	
33	EEV BOARD	EEV1,2	437PW443	39,488	99PCB415EEVA2521	2	2	2	2	2	2
(*1) In case of MC assembled module, please change the part number as follows.											
34	MC-CPU BOARD	MC-CPU	43R69131	16,455	99PCB445KQA508EU	1	1	1	1	1	1
35	MC-HIF BOARD	MC-HIF	437PW512	39,488	99PCB455LCDA3021	1	1	1	1	1	1
Note: Additional parts of High-EER type.											
36	BOX ASSEMBLY, HEAT EXCHANGER WITH WATER SPRAY SYSTEM	437PD106	42,384	30KQA460N95121	1	1	1	1	1	1	1
37	WATER SPRAY NOZZLE	437RW032	962	CN01WQ10721	1	1	1	1	1	1	1
38	WATER SPRAY NOZZLE	437RW033	541	CN01WR10721	7	7	7	7	7	7	7
						2	2	2	2	2	2
Note: Additional parts of Powerful Heating Type type.											
F1	HEATER BOX ASSEMBLY	43R61225	32,049	30KQA464F79621	1	1	1	1	1	1	1

◆SERVICE PARTS LIST

RUAGP421H*(N)8E/TR (30KQA050(N) 4803 EU/TR 2*)

RUAGP511H*(N)8E/TR (30KQA060(N) 4803 EU/TR 2*)

RUAGP561H*(N)8E/TR (30KQA070(N) 4803 EU/TR 2*)

(Water pump size (1:1.5kW, 2:2.2kW, 3:3.7kW, 5:5.5kW,7:7.5kW)
apply to those marked with 「*」.)

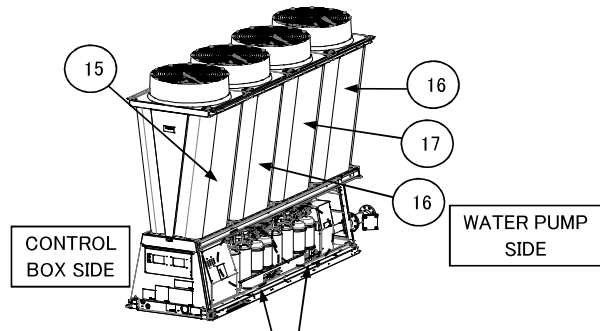
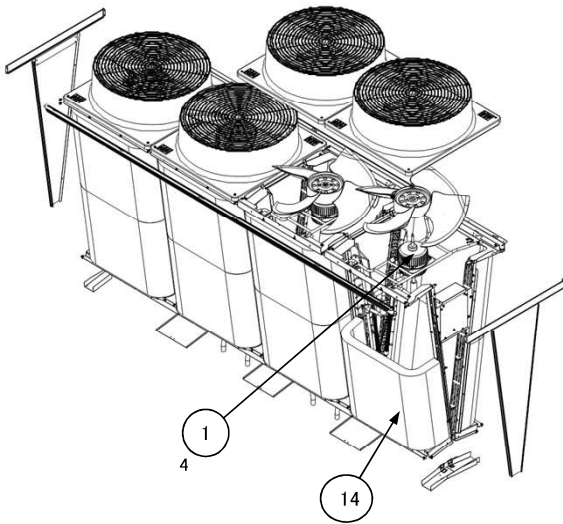
When ordering service parts, please inform us of
the serial number of the UNIT as well as
part number.

ITEM	PART DESCRIPTION	PART NUMBER	T/ P (JPY) *FOB, JPN IN JPY		RUAGP						
					421H1/2/3(N)	511H1/2/3(N)	561H2/3(N)	421H5/7(N)	511H5/7(N)	561H5/7(N)	
WATER PUMP for STANDARD											
39	WATER PUMP (1.5kW)	43R48027	171,698	KK33FE615HT21	1	1					
40	PUMP INVERTER (1.5kW)	43R69121	44,408	99MT415FJ20221	1	1					
41	REACTOR ASSEMBLY RD1	43R58030	3,649	30KEA46079621	1	1					
39	WATER PUMP (2.2kW)	43R48028	180,765	KK33FE622HT21	1	1	1				
40	PUMP INVERTER (2.2kW)	43R69122	47,660	99MT422FJ20221	1	1	1				
41	REACTOR ASSEMBLY RD1	43R58031	6,978	30KEA46079721	1	1	1				
39	WATER PUMP (3.7kW)	43R48029	248,333	KK33FE637HT21	1	1	1				
40	PUMP INVERTER (3.7kW)	43R69123	51,755	99MT437FJ20221	1	1	1				
41	REACTOR ASSEMBLY RD1	43R58031	6,978	30KEA46079721	1	1	1				
39	WATER PUMP (5.5kW)	43R48030	330,818	KK33FK655HT21				1	1	1	
40	PUMP INVERTER (5.5kW)	43R69124	79,863	99MT455FJ20221				1	1	1	
41	REACTOR ASSEMBLY RD1	43R58031	6,978	30KEA46079721				1	1	1	
39	WATER PUMP (7.5kW)	43R48031	396,338	KK33FK675HT21				1	1	1	
40	PUMP INVERTER (7.5kW)	43R69125	90,246	99MT475FJ20221				1	1	1	
41	REACTOR ASSEMBLY RD1	43R58031	6,978	30KEA46079721				1	1	1	
WATER PUMP for BRAIN											
39	WATER PUMP (2.2kW)	43R73021	226,980	KK33FD622HT21	1	1					
40	PUMP INVERTER (2.2kW)	43R69122	47,660	99MT422FJ20221	1	1					
41	REACTOR ASSEMBLY RD1	43R58031	6,978	30KEA46079721	1	1					
39	WATER PUMP (3.7kW)	43R73022	294,548	KK33FD637HT21	1	1	1				
40	PUMP INVERTER (3.7kW)	43R69123	51,755	99MT437FJ20221	1	1	1				
41	REACTOR ASSEMBLY RD1	43R58031	6,978	30KEA46079721	1	1	1				
39	WATER PUMP (5.5kW)	43R73023	368,843	KK33FL655HT21				1	1	1	
40	PUMP INVERTER (5.5kW)	43R69124	79,863	99MT455FJ20221				1	1	1	
41	REACTOR ASSEMBLY RD1	43R58031	6,978	30KEA46079721				1	1	1	
39	WATER PUMP (7.5kW)	43R73024	455,423	KK33FL675HT21				1	1	1	
40	PUMP INVERTER (7.5kW)	43R69125	90,246	99MT475FJ20221				1	1	1	
41	REACTOR ASSEMBLY RD1	43R58031	6,978	30KEA46079721				1	1	1	

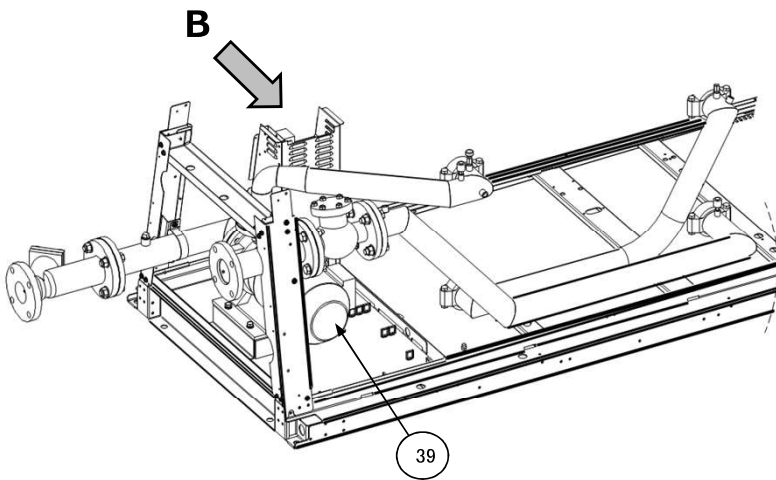
◆SERVICE PARTS LIST

RUAGP421H*(N)8E (30KQA050(N) 4803 EU2*)

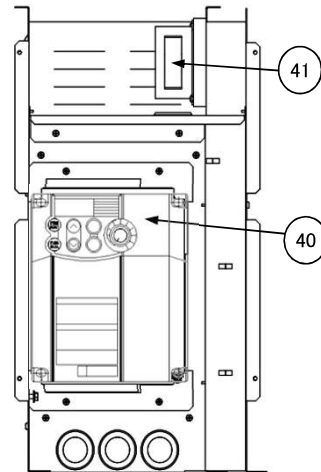
RUAGP511H*(N)8E (30KQA060(N) 4803 EU2*)



DETAIL A Reference
 Two modules of the same piping assembly are carried.
 DETAIL E illustrates only one module.



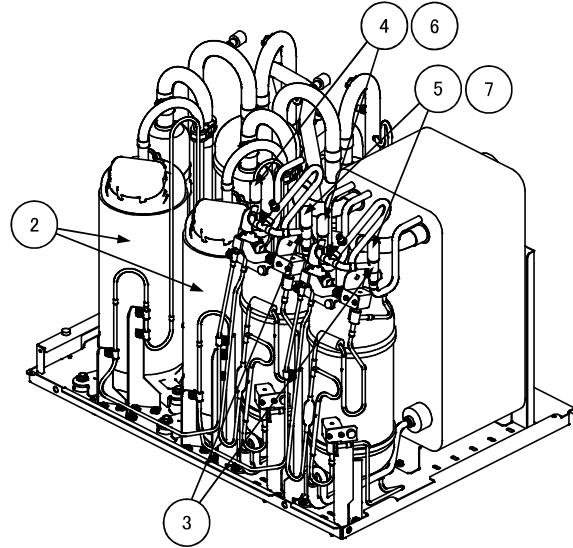
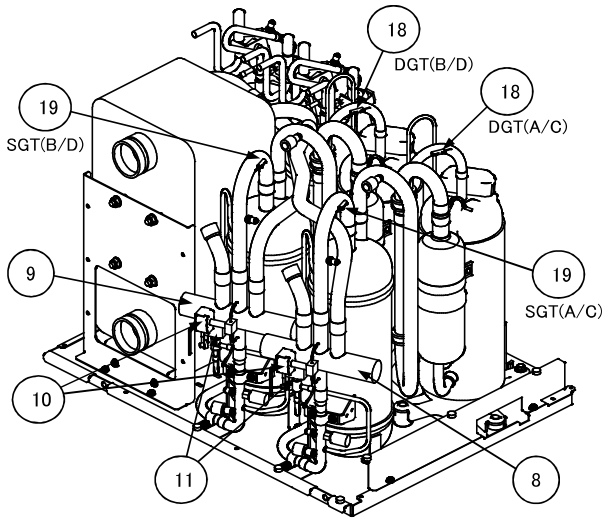
ARROW VIEW B
INVERTER BOX ASSEMBLY, PUMP



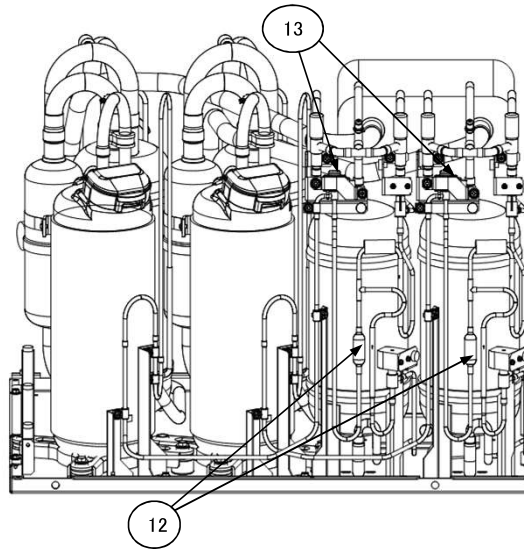
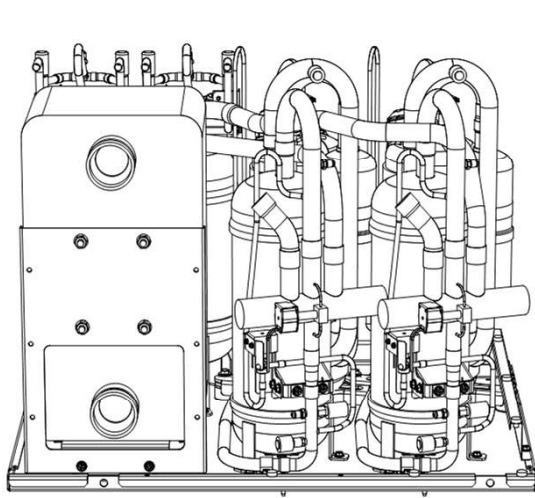
◆SERVICE PARTS LIST

RUAGP421H*(N)8E (30KQA050(N) 4803 EU2*)

RUAGP511H*(N)8E (30KQA060(N) 4803 EU2*)



DETAIL A

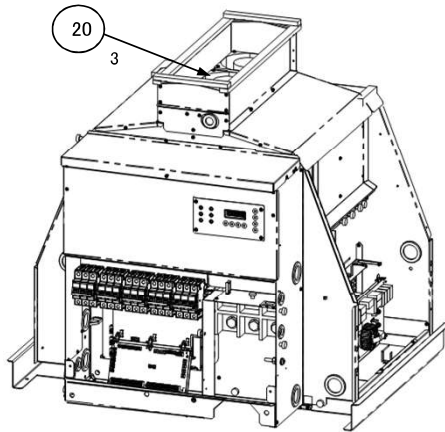


◆SERVICE PARTS LIST

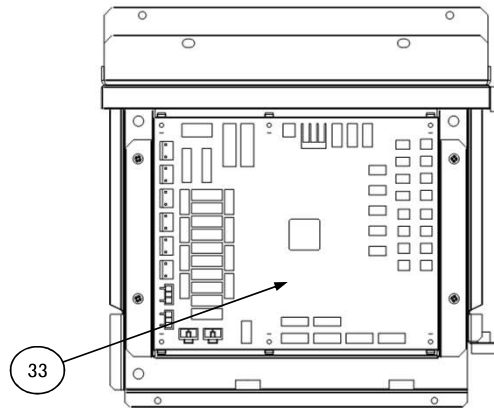
RUAGP421H*(N)8E (30KQA050(N) 4803 EU2*)

RUAGP511H*(N)8E (30KQA060(N) 4803 EU2*)

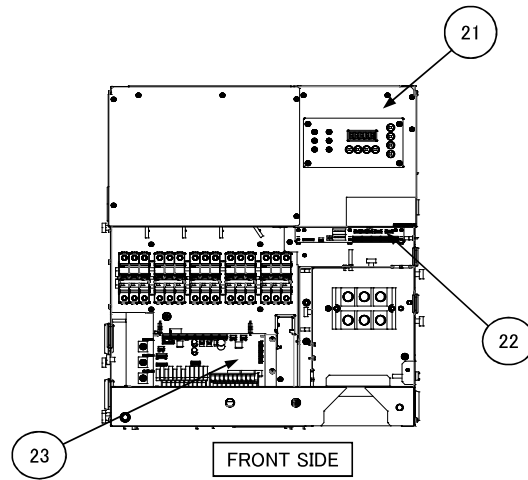
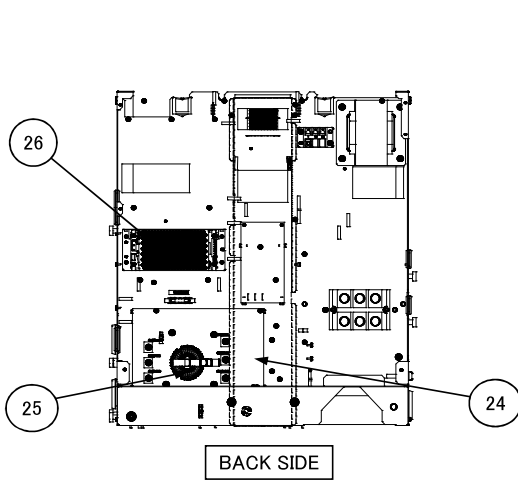
CONTROL BOX ASSEMBLY



EEV BOX ASSEMBLY



MAIN BOX ASSEMBLY

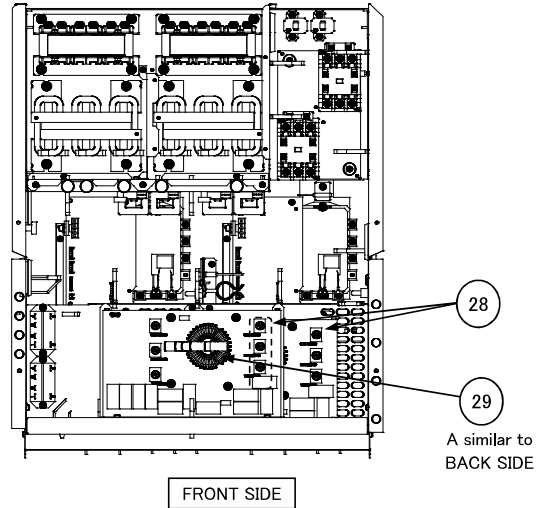
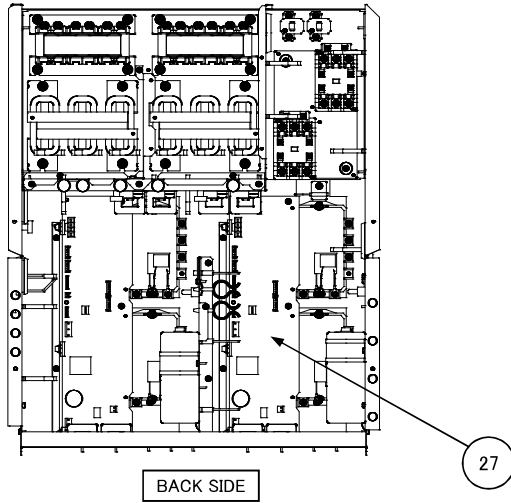


◆SERVICE PARTS LIST

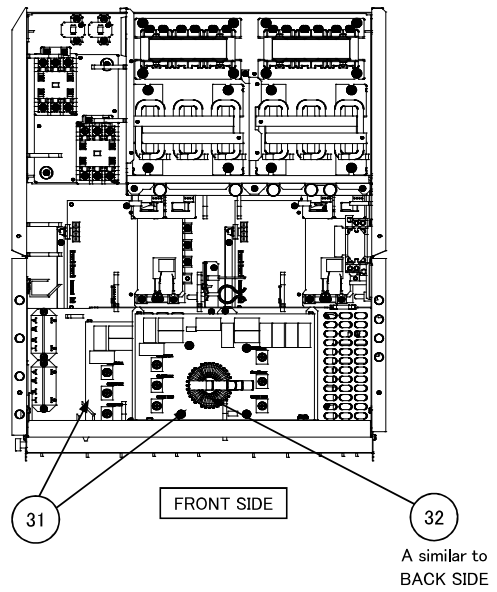
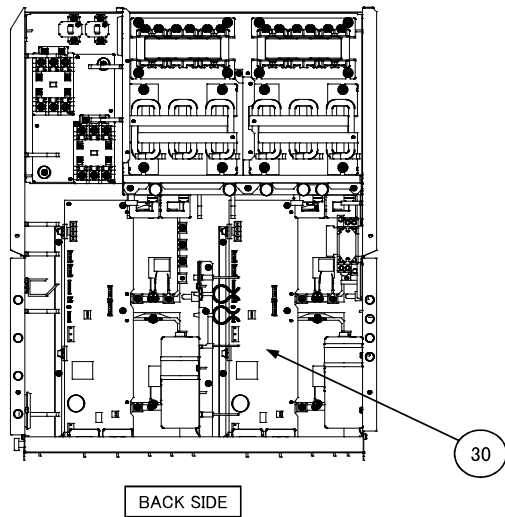
RUAGP421H*(N)8E (30KQA050(N) 4803 EU2*)

RUAGP511H*(N)8E (30KQA060(N) 4803 EU2*)

PWM BOX ASSEMBLY (A/B CIRCUIT)



PWM BOX ASSEMBLY (C/D CIRCUIT)

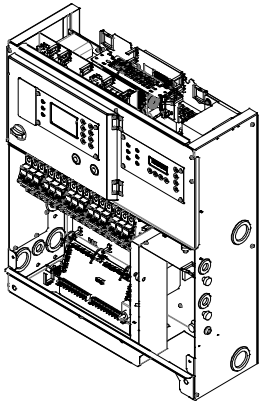


◆SERVICE PARTS LIST

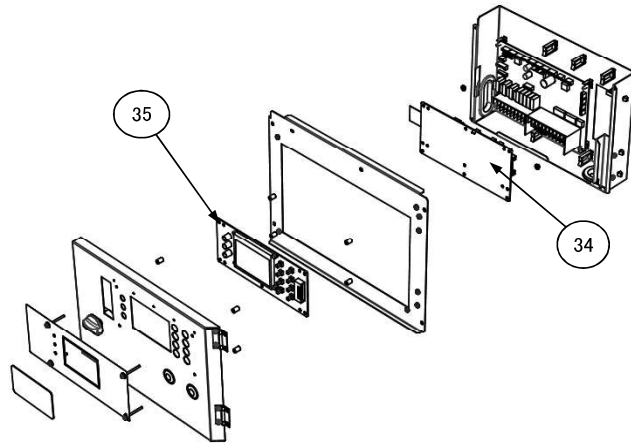
RUAGP421H*(N)8E (30KQA050(N) 4803 EU2*)

RUAGP511H*(N)8E (30KQA060(N) 4803 EU2*)

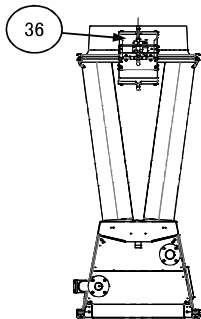
MAIN BOX ASSEMBLY(MC)



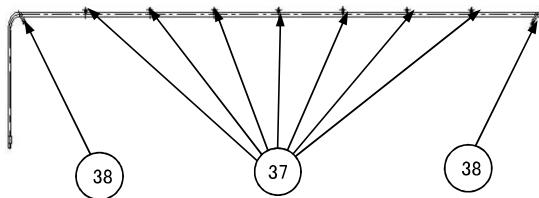
DETAIL
HIF BOARD ASSEMBLY(MC)



HEAT EXCHANGER WITH WATER SPRAY SYSTEM
(High-EER type only)



37 PIPE ASSEMBLY, HEAT EXCHANGER
WATER SPRAY SYSTEM (LEFT)



38 PIPE ASSEMBLY, HEAT EXCHANGER
WATER SPRAY SYSTEM (RIGHT)

