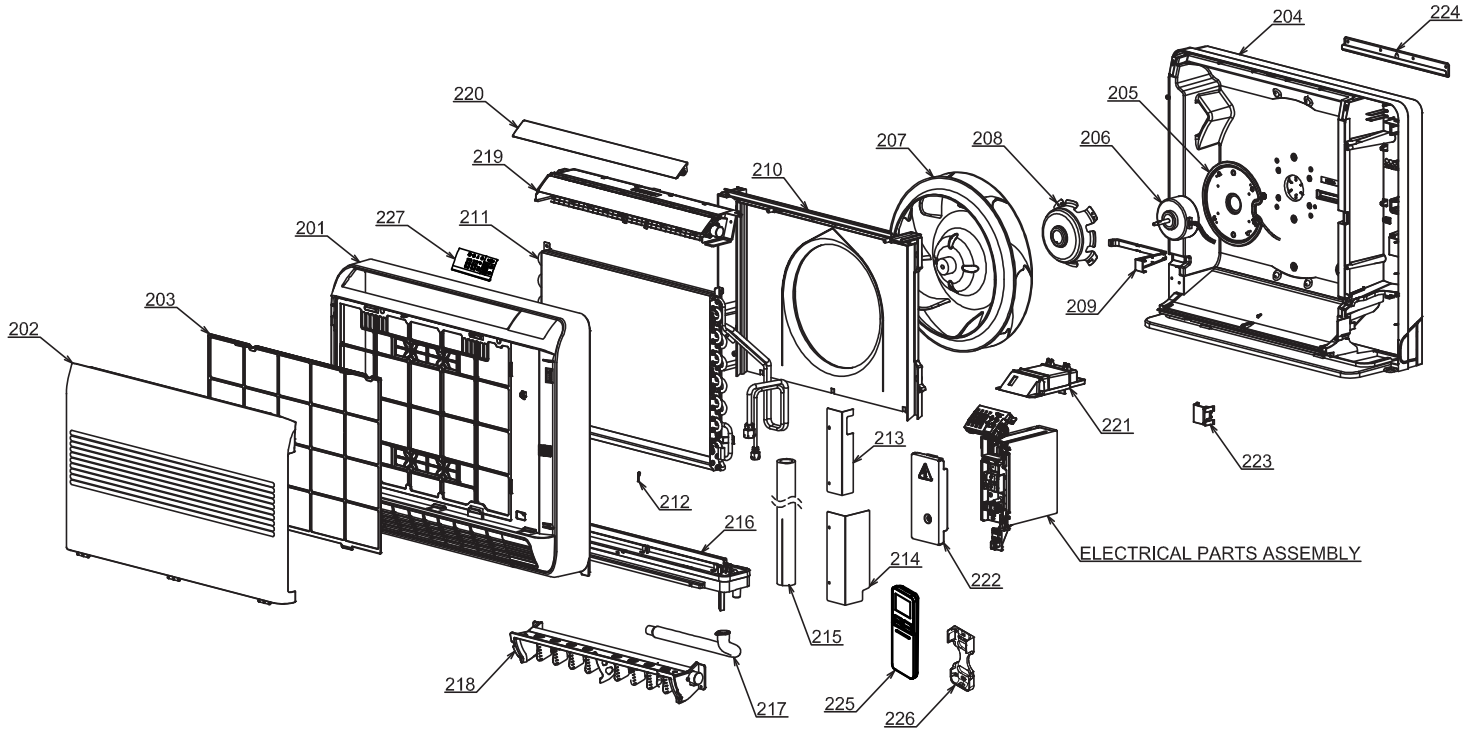


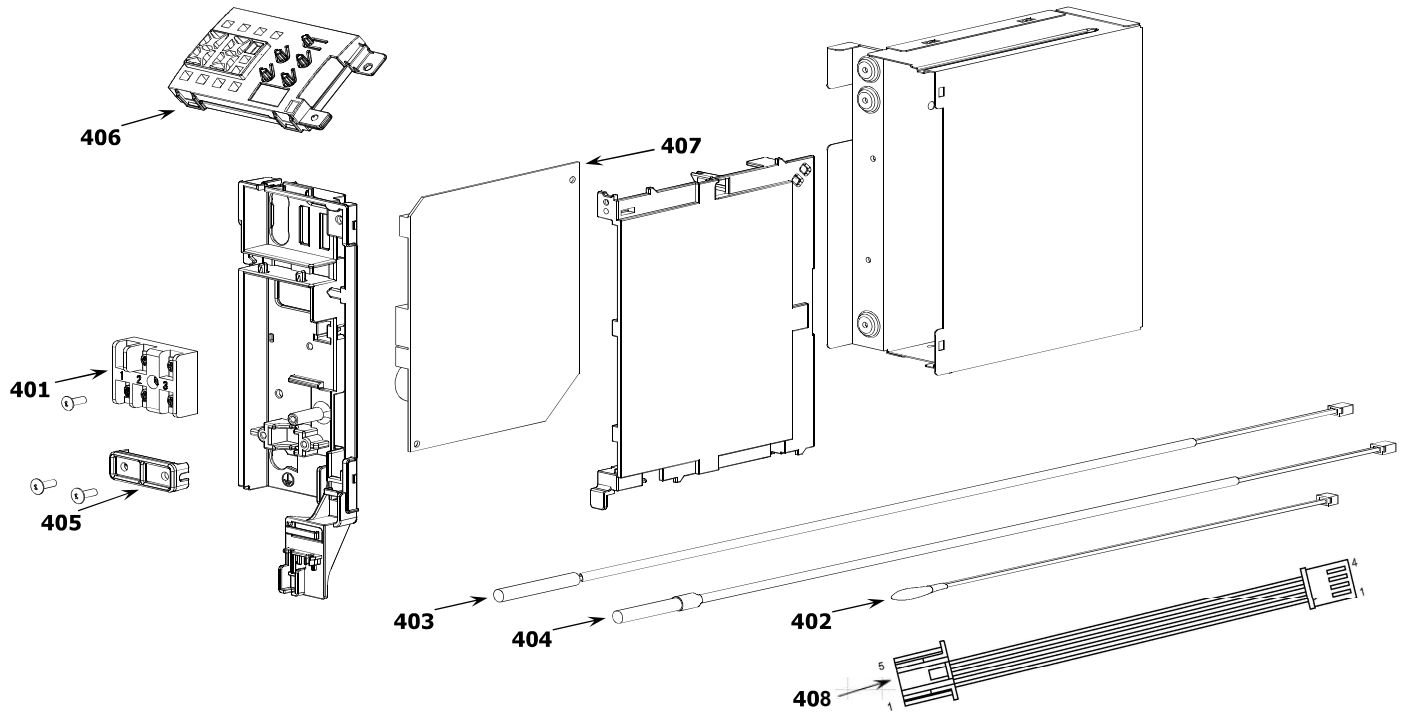
## 13. EXPLODED VIEWS AND PARTS LIST

### 13-1. Indoor Unit



Location No.	Part No.	Description	Location No.	Part No.	Description
201	43T00553	FRONT PANEL ASSY	213	43T79314	DRAIN GUIDE (UP)
202	43T09460	INLET GRILLE ASSY	214	43T79315	DRAIN GUIDE (DOWN)
203	43T80325	AIR FILTER	215	43T49341	SHIELD PIPE
204	43T03379	BACK BODY ASSY	216	43T72310	DRAIN PAN ASSY
205	43T39340	MOTOR BASE ASSY	217	43T70313	HOSE, DRAIN
206	43T21424	FAN MOTOR ASSY	218	43T22317	DAMPER ASSY
207	43T20330	TURBO FAN ASSY	219	43T22316	UPPER LOUVER ASSY
208	43T60408	MOTOR HOLDER	220	43T22315	HORIZONTAL LOUVER
209	43T63331	LEAD COVER	221	43T63333	DISPLAY BASE
210	43T22314	BELL MOUTH ASSY	222	43T62339	TERMINAL COVER ASSY
211	43T44634	REFRIGERANT CYCLE ASSY (FOR RAS-B18J2FVG-E)	223	43T49340	PIPE HOLDER
211	43T44673	REFRIGERANT CYCLE ASSY (FOR RAS-B10,B13J2FVG-E)	224	43T82316	PLATE MOUNTING
212	43T19333	HOLDER, SENSOR	225	43T66390	WIRELESS REMOCO
			226	43T83305	HOLDER, REMOTE CONTROL
			227	43T08425	SHEET-DISPLAY

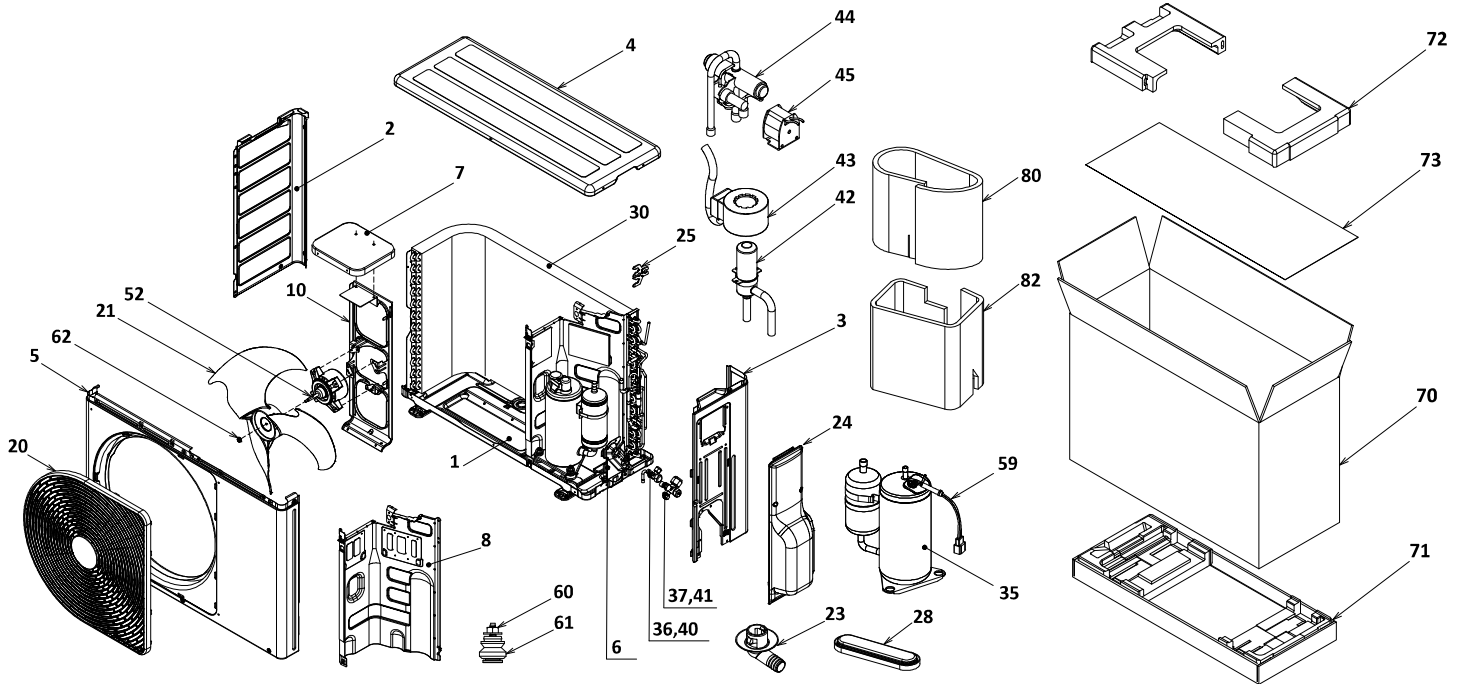
## 13-2. Indoor Unit (E-Part)



Location No.	Part No.	Description	Location No.	Part No.	Description
401	43T60406	TERMINAL 3P	407	43T6W712	PC BOARD (FOR RAS-B13J2FVG-E)
402	43T69320	TEMPERATURE SENSOR	407	43T6W743	PC BOARD (FOR RAS-B18J2FVG-E)
403	43T50395	TEMPERATURE SENSOR	408	43T60502	HOUSING-WiFi
404	43T50333	SENSOR:HEAT EXCHANGER			
405	43T62003	CORD CLAMP			
406	43T69865	PC BOARD ASSY,WRS-LED			
407	43T6W711	PC BOARD (FOR RAS-B10J2FVG-E)			

### 13-3. Outdoor Unit

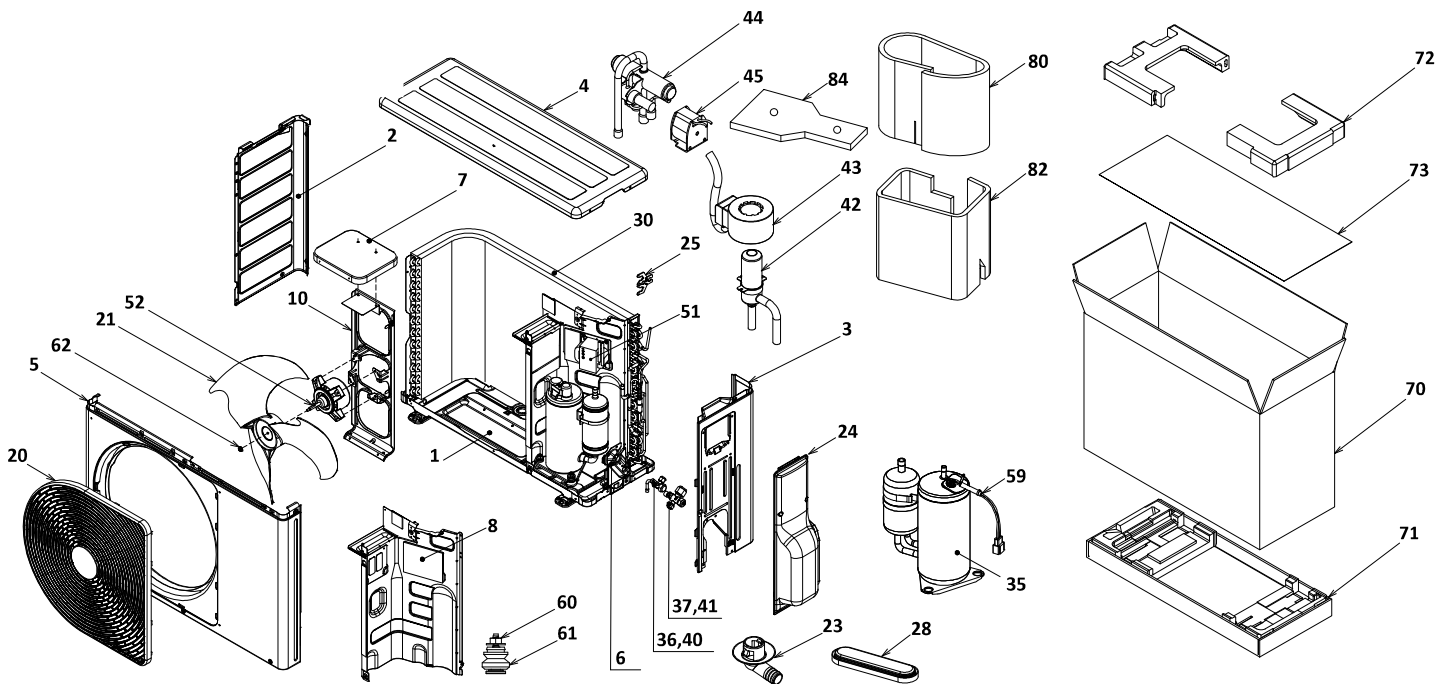
RAS-10, 13J2AVSG-E



Location No.	Part No.	Description	Location No.	Part No.	Description
1	43T42327	BASE PLATE ASSEMBLY	36	43T47403	BONNET, 6.35 DIA
2	43T00459	LEFT CABINET	37	43T47404	BONNET, 9.52 DIA
3	43T00690	RIGHT CABINET ASSEMBLY	40	43T46435	VALVE; PACKED 6.35 DIA
4	43T00735	UPPER CABINET ASSEMBLY	41	43T46436	VALVE; PACKED 9.52 DIA
5	43T00737	FRONT CABINET ASSEMBLY	42	43T46469	BODY PMV
6	43T00448	FIXING PLATE VALVE	43	43T63360	COIL PMV
7	43T39333	MOTOR BASE CONNECTION PLATE	44	43T46367	4 WAY VALVE (FOR RAS-10J2AVSG-E)
8	43T04330	PARTITION ASSEMBLY (FOR RAS-10J2AVSG-E)	44	43T46470	4 WAY VALVE (FOR RAS-13J2AVSG-E)
8	43T04340	PARTITION ASSEMBLY (FOR RAS-13J2AVSG-E)	45	43T63327	COIL-4WAY (FOR RAS-10J2AVSG-E)
10	43T39393	MOTOR BASE	45	43T63361	COIL-4WAY (FOR RAS-13J2AVSG-E)
20	43T19364	FAN GUARD	52	43T21460	FAN MOTOR
21	43T20319	PROPELLER FAN	59	43T60505	LEAD ASSY, COMPRESSOR
23	43T79305	DRAIN NIPPLE	60	43T97001	NUT
24	43T00762	PACKED-VALVE COVER ASSEMBLY	61	43T49327	CUSHION,RUBBER
25	43T63376	HOLDER, SENSOR	62	43T47001	NUT FLANGE
28	43089160	CAP, WATERPROOF	70	43T91343	CARTON BOX
30	43T43545	CONDENSER ASSEMBLY (FOR RAS-13J2AVSG-E)	71	43T91342	FIBERBOARD UNDER ASSEMBLY
30	43T43603	CONDENSER ASSEMBLY (FOR RAS-10J2AVSG-E)	72	43T91314	CUSHION-PKG-UPR
35	43T41521	COMPRESSOR (FOR RAS-13J2AVSG-E)	73	43T91301	PE SHEET
35	43T41533	COMPRESSOR (FOR RAS-10J2AVSG-E)	80	43T04357	SOUND INSULATION(IS)
			82	43T04429	INSULATION SOUND OUTSIDE

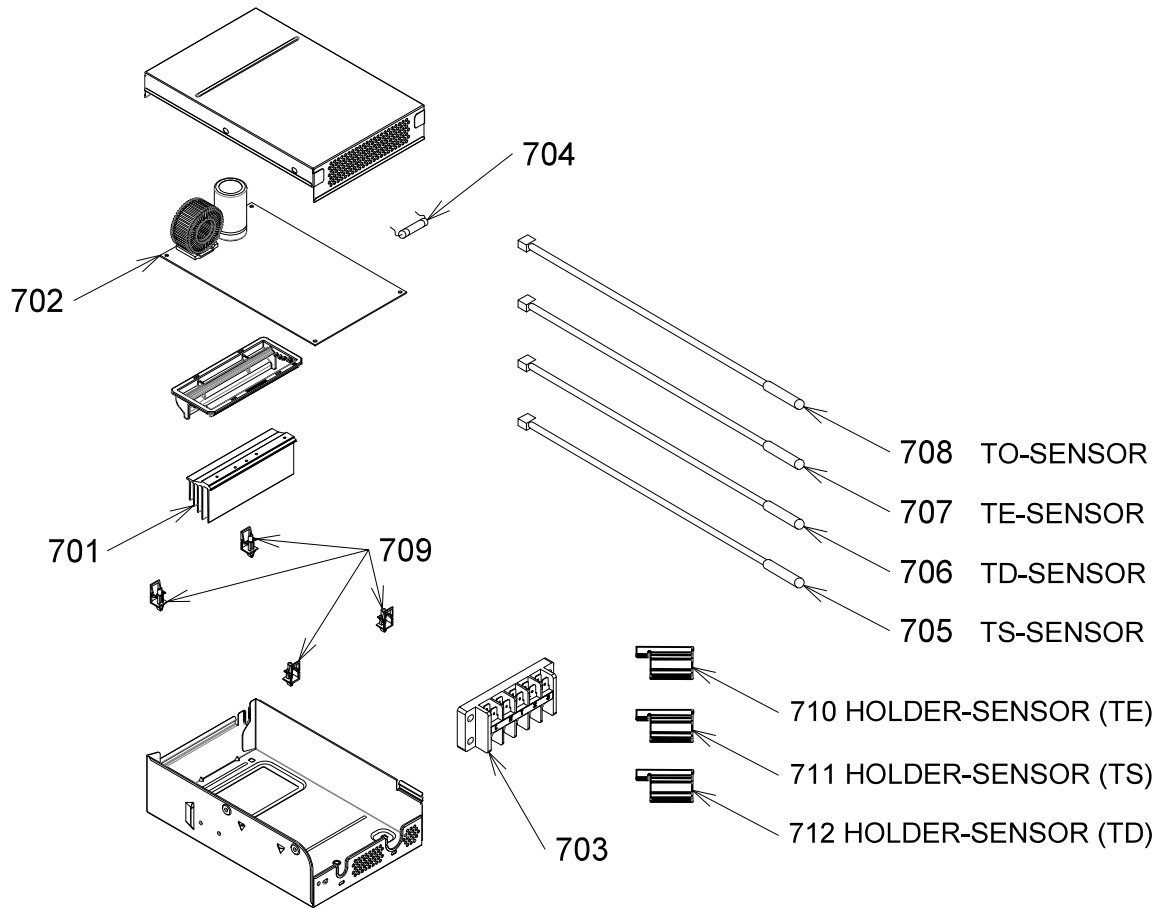
## 13-4. Outdoor Unit

RAS-18J2AVSG-E



Location No.	Part No.	Description	Location No.	Part No.	Description
1	43T42327	BASE PLATE ASSEMBLY	40	43T46435	VALVE; PACKED 6.35 DIA
2	43T00459	LEFT CABINET	41	43T46461	VALVE; PACKED 12.7 DIA
3	43T00690	RIGHT CABINET ASSEMBLY	42	43T46469	BODY PMV
4	43T00735	UPPER CABINET ASSEMBLY	43	43T63360	COIL PMV
5	43T00688	FRONT CABINET ASSEMBLY	44	43T46367	4 WAY VALVE
6	43T00448	FIXING PLATE VALVE	45	43T63327	COIL-4WAY
7	43T39333	MOTOR BASE CONNECTION PLATE	51	43T58309	REACTOR
8	43T04362	GUIDE WIND PARTITION ASSEMBLY	52	43T21460	FAN MOTOR
10	43T39393	MOTOR BASE	59	43T60494	LEAD ASSY, COMPRESSOR
20	43T19364	FAN GUARD	60	43T97001	NUT
21	43T20319	PROPELLER FAN	61	43T49327	CUSHION,RUBBER
23	43T79305	DRAIN NIPPLE	62	43T47001	NUT FLANGE
24	43T00762	PACKED-VALVE COVER ASSEMBLY	70	43T91343	CARTON BOX
25	43T63376	HOLDER, SENSOR	71	43T91342	FIBERBOARD UNDER ASSEMBLY
28	43089160	CAP, WATERPROOF	72	43T91314	CUSHION-PKG-UPR
30	43T43562	CONDENSER ASSEMBLY	73	43T91301	PE SHEET
35	43T41522	COMPRESSOR	80	43T04357	SOUND INSULATION(IS)
36	43T47403	BONNET, 6.35 DIA	82	43T04429	INSULATION SOUND OUTSIDE
37	43T47405	BONNET, 12.7 DIA	84	43T04358	SOUND INSULATION(UP)

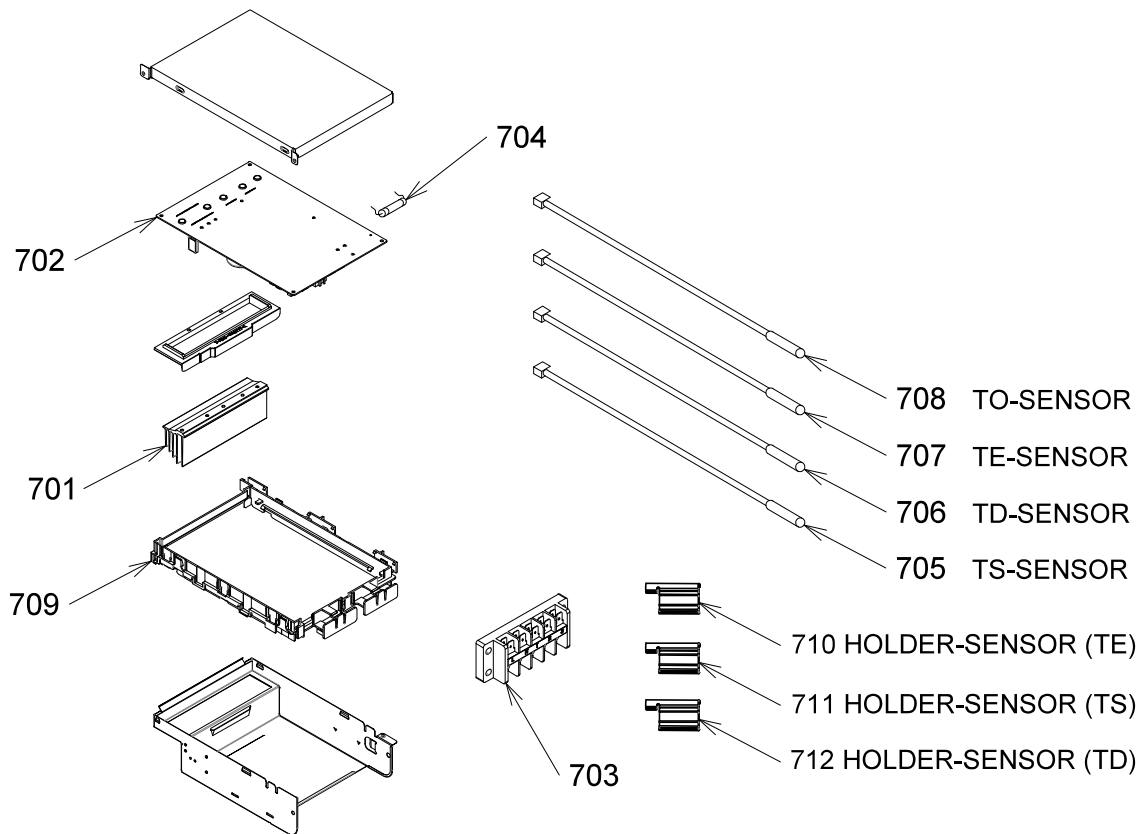
**13-5. Outdoor Unit (Part-E)**  
**RAS-10, 13J2AVSG-E**



Location No.	Part No.	Description	Location No.	Part No.	Description
701	43T67311	HEATSINK	706	43T50334	TEMPERATURE SENSOR
702	43T6W705	PC BOARD ASSY (FOR RAS-10J2AVSG-E)	707	43T50352	TEMPERATURE SENSOR
702	43T6W706	PC BOARD ASSY (FOR RAS-13J2AVSG-E)	708	43T50360	TC-SENSOR(TO)
703	43T60392	TERMINAL-5P	709	43T95304	SPACER-KGES
704	43T60459	FUSE	710	43T63318	HOLDER SENSOR
705	43T50353	TEMPERATURE SENSOR	711	43T63316	HOLDER,SENSOR
			712	43T63317	HOLDER,SENSOR

## 13-6. Outdoor Unit (Part-E)

RAS-18J2AVSG-E



Location No.	Part No.	Description	Location No.	Part No.	Description
701	43T62351	HEATSINK	707	43T50352	TEMPERATURE SENSOR
702	43T6W708	PC BOARD ASSY	708	43T50360	TC-SENSOR(TO)
703	43T60392	TERMINAL-5P	709	43T62313	PC PLATE BASE
704	43T60326	FUSE	710	43T63318	HOLDER SENSOR
705	43T50353	TEMPERATURE SENSOR	711	43T63316	HOLDER,SENSOR
706	43T50334	TEMPERATURE SENSOR	712	43T63317	HOLDER,SENSOR