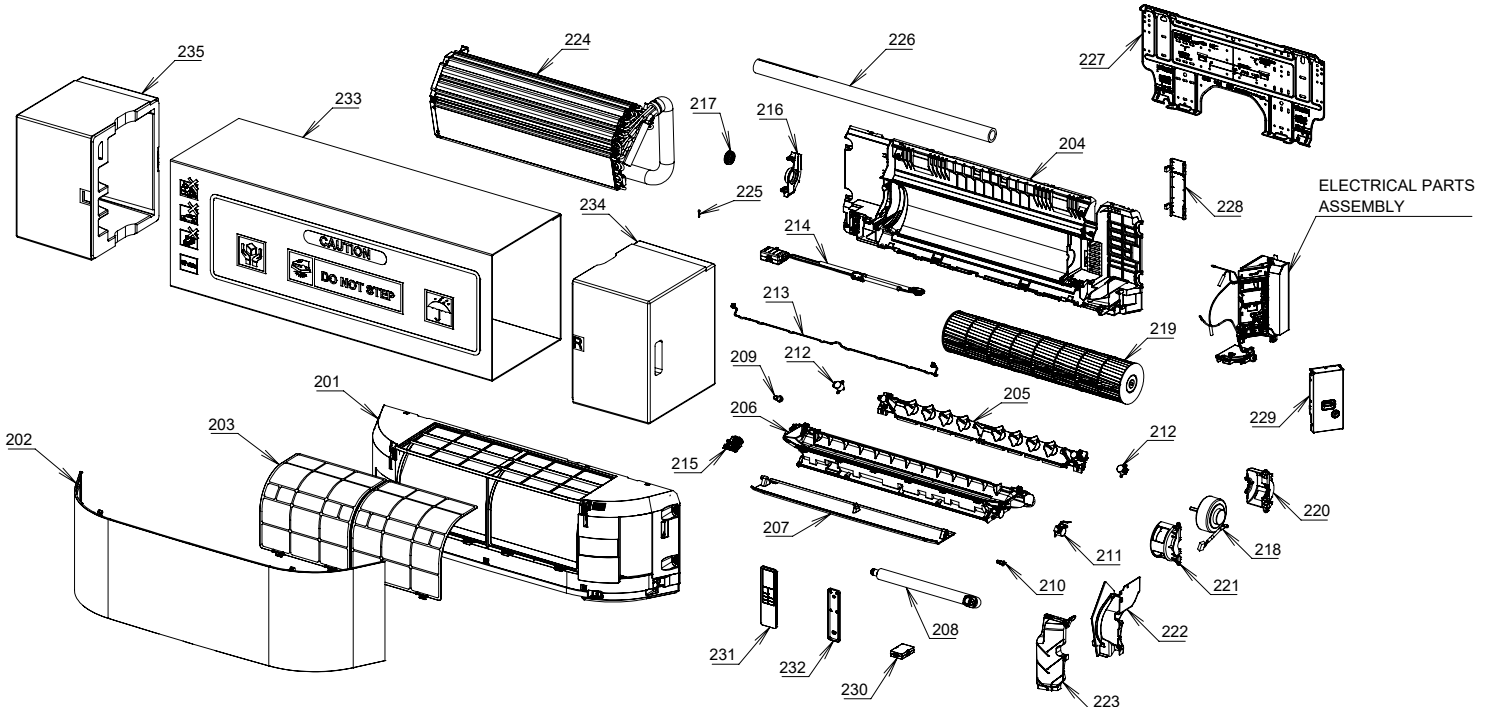


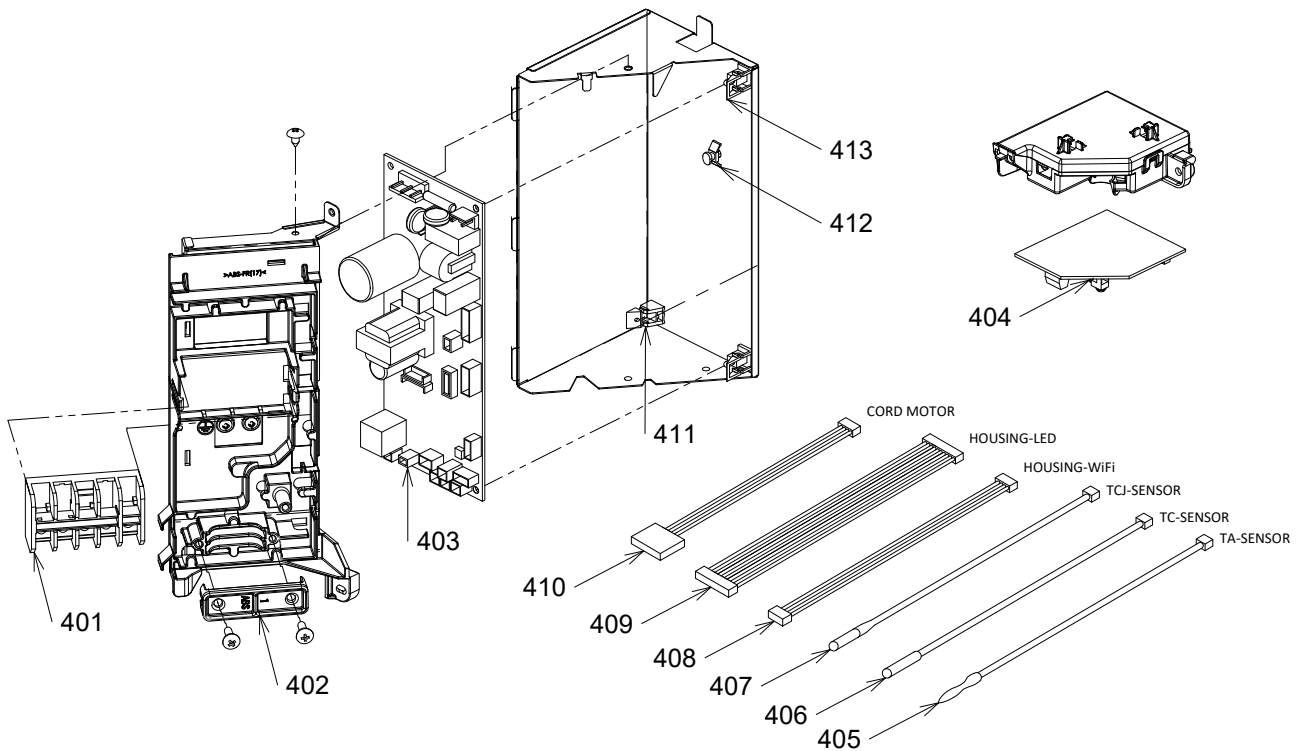
13. EXPLODED VIEWS AND PARTS LIST

13-1. Indoor Unit



Location No.	Part No.	Description	Location No.	Part No.	Description
201	43T00823	FRONT PANEL ASSY (FOR RAS-B10,B13N4KVRG-E)	219	43T20361	CROSS FLOW FAN ASSY
201	43T00824	FRONT PANEL ASSY (FOR RAS-B16N4KVRG-E)	220	43T39423	MOTOR BAND BACK
202	43T09592	GRILLE OF AIR INLET ASSY	221	43T39424	MOTOR BAND FRONT
203	43T80363	AIR FILTER	222	43T39425	MOTOR COVER
204	43T03421	BACK BODY ASSY	223	43T79326	DRAIN COVER
205	43T22375	VERTICAL LOUVER ASSY	224	43T44713	REFRIGERATION CYCLE ASSY (FOR RAS-B10,B13N4KVRG-E)
206	43T72364	DRAIN PAN ASSY	224	43T44715	REFRIGERATION CYCLE ASSY (FOR RAS-B16N4KVRG-E)
207	43T22376	HORIZONTAL LOUVER	225	43T19333	HOLDER, SENSOR
208	43T70321	DRAIN HOSE	226	43T11321	PIPE-SHIELD
209	43T79322	DRAIN CAP	227	43T82346	INSTALLATION PLATE ASSY
210	43125202	COVER-AXIS	228	43T49388	PIPE HOLDER
211	43T21478	MOTOR; STEPPING	229	43T62396	TERMINAL COVER ASSY
212	43T21434	STEPPING-MOTOR	230	43T66421	WIRELESS ADAPTER (WRE-T00BJ10)
213	43T60536	VERTICAL MOTOR CORD	231	43T66422	WIRELESS REMOCO
214	43T80362	HIGH VOLTAGE UNIT ASSY	232	43T66423	HOLDER, REMOTE CONTROL
215	43T80354	IONIZER UNIT COVER	233	43T91410	PACKING SLEEVE
216	43T22377	BASE BEARING	234	43T91411	PACKING CUSHION RIGHT
217	43T22312	BEARING ASSY, MOLD	235	43T91412	PACKING CUSHION LEFT
218	43T21471	MOTOR FAN			

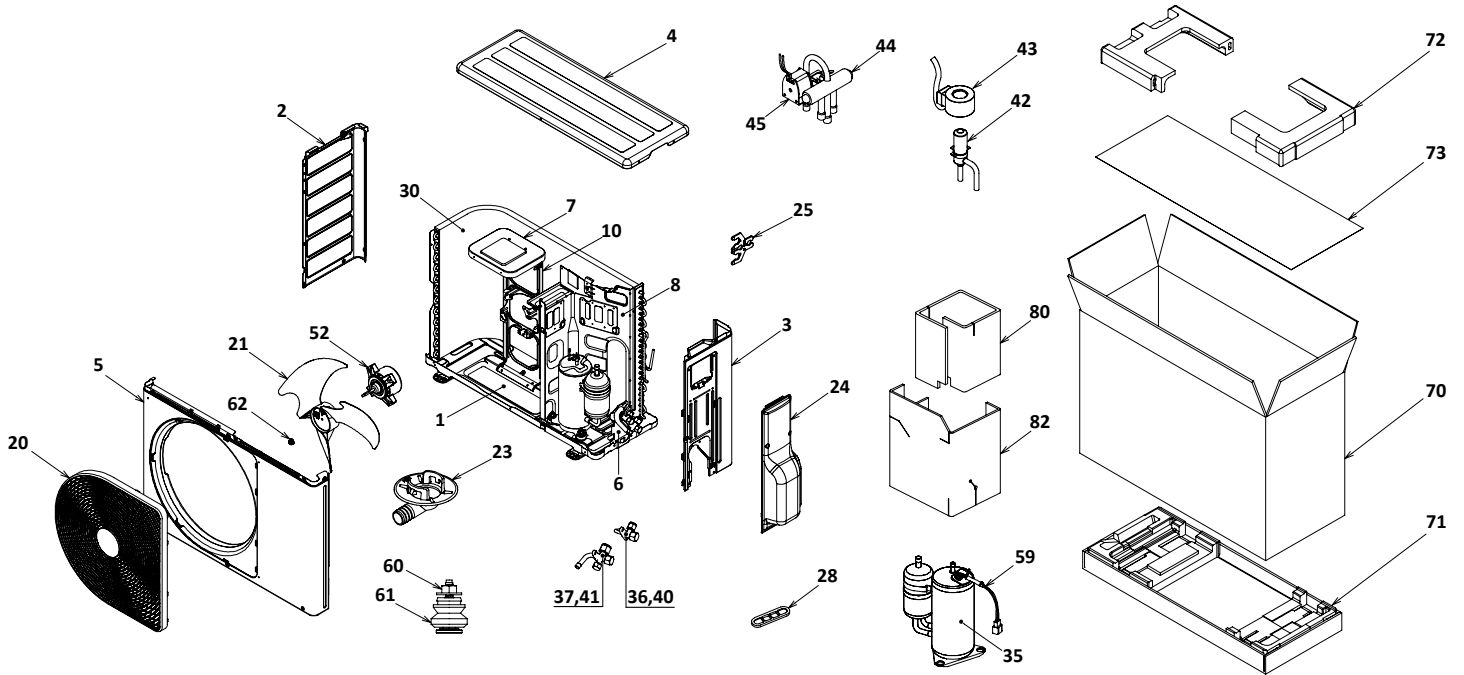
13-2. Indoor Unit (Part-E)



Location No.	Part No.	Description	Location No.	Part No.	Description
401	43T60532	TERMINAL(5P-TF)	405	43T50399	TEMPERATURE SENSOR
402	43T62340	CORD-CLAMP	406	43T50393	TEMPERATURE SENSOR
403	43T6W879	PC BOARD (WP-501) (FOR RAS-B10N4KVRG-E)	407	43T50400	TEMPERATURE SENSOR
403	43T6W882	PC BOARD (WP-501) (FOR RAS-B13N4KVRG-E)	408	43T60533	HOUSING-WiFi
403	43T6W885	PC BOARD (WP-501) (FOR RAS-B16N4KVRG-E)	409	43T60537	HOUSING-LED
404	43T6W727	PC BOARD ASSY : WRS-LED	410	43T60538	CORD-MOTOR
			411	43T95302	SPACER(EDGE)
			412	43T95303	SUPPORTER, ASSY
			413	43T95304	SPACER-KGES

13-3. Outdoor Unit

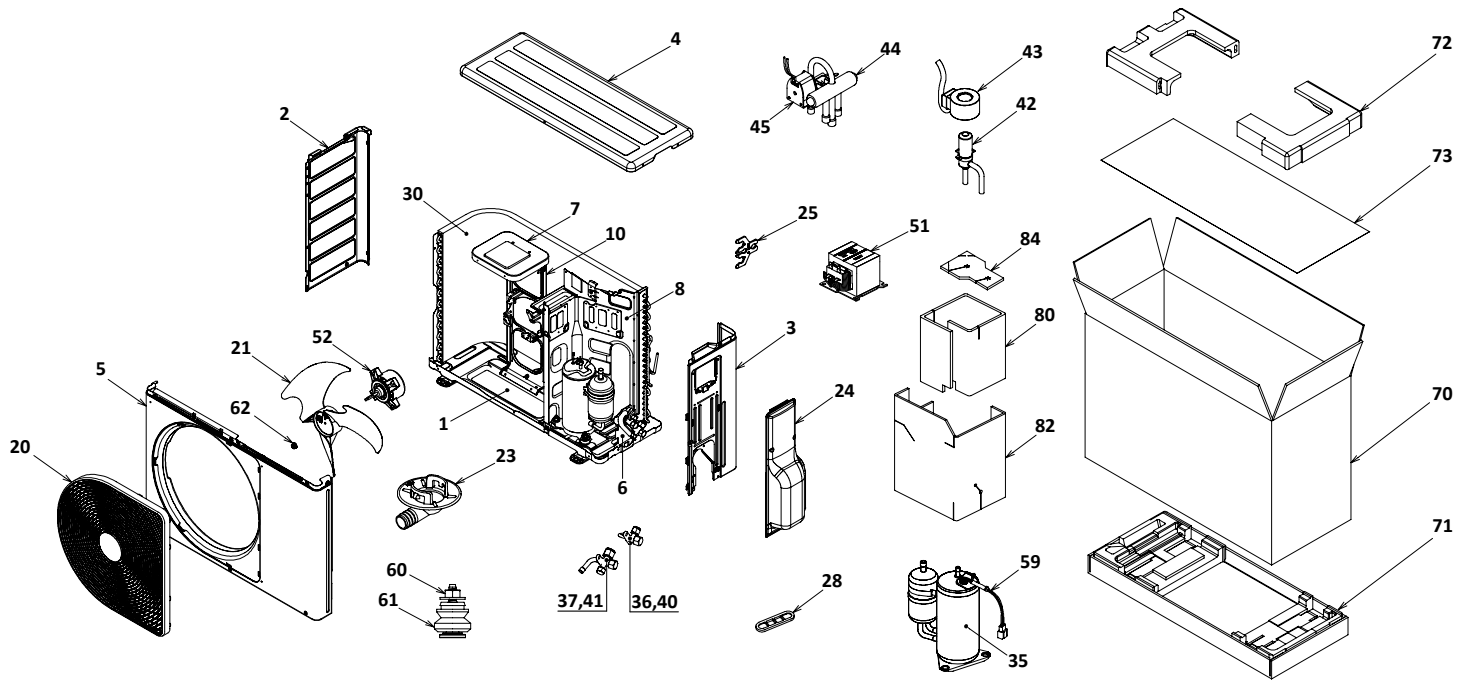
RAS-10, 13J2AVSG-E1



Location No.	Part No.	Description	Location No.	Part No.	Description
1	43T42382	BASE PLATE ASSEMBLY	36	43T47403	BONNET, 6.35 DIA
2	43T00459	LEFT CABINET	37	43T47404	BONNET, 9.52 DIA
3	43T00690	RIGHT CABINET ASSEMBLY	40	43T46435	VALVE; PACKED 6.35 DIA
4	43T00735	UPPER CABINET ASSEMBLY	41	43T46436	VALVE; PACKED 9.52 DIA
5	43T00737	FRONT CABINET ASSEMBLY	42	43T46469	BODY PMV
6	43T00448	FIXING PLATE VALVE	43	43T63360	COIL PMV
7	43T39333	MOTOR BASE CONNECTION PLATE	44	43T46367	4 WAY VALVE (FOR RAS-10J2AVSG-E1)
8	43T04330	PARTITION ASSEMBLY (FOR RAS-10J2AVSG-E1)	44	43T46470	4 WAY VALVE (FOR RAS-13J2AVSG-E1)
8	43T04340	PARTITION ASSEMBLY (FOR RAS-13J2AVSG-E1)	45	43T63327	COIL-4WAY (FOR RAS-10J2AVSG-E1)
10	43T39393	MOTOR BASE	45	43T63361	COIL-4WAY (FOR RAS-13J2AVSG-E1)
20	43T19364	FAN GUARD	52	43T21460	FAN MOTOR
21	43T20319	PROPELLER FAN	59	43T60505	LEAD ASSY, COMPRESSOR
23	43T79325	DRAIN NIPPLE	60	43T97001	NUT
24	43T00762	PACKED-VALVE COVER ASSEMBLY	61	43T49327	CUSHION,RUBBER
25	43T63376	HOLDER, SENSOR	62	43T47001	NUT FLANGE
28	43089160	CAP, WATERPROOF	70	43T91343	CARTON BOX
30	43T43545	CONDENSER ASSEMBLY (FOR RAS-13J2AVSG-E1)	71	43T91342	FIBERBOARD UNDER ASSEMBLY
30	43T43603	CONDENSER ASSEMBLY (FOR RAS-10J2AVSG-E1)	72	43T91314	CUSHION-PKG-UPR
35	43T41521	COMPRESSOR (FOR RAS-13J2AVSG-E1)	73	43T91301	PE SHEET
35	43T41533	COMPRESSOR (FOR RAS-10J2AVSG-E1)	80	43T04357	SOUND INSULATION(IS)
			82	43T04429	INSULATION SOUND OUTSIDE

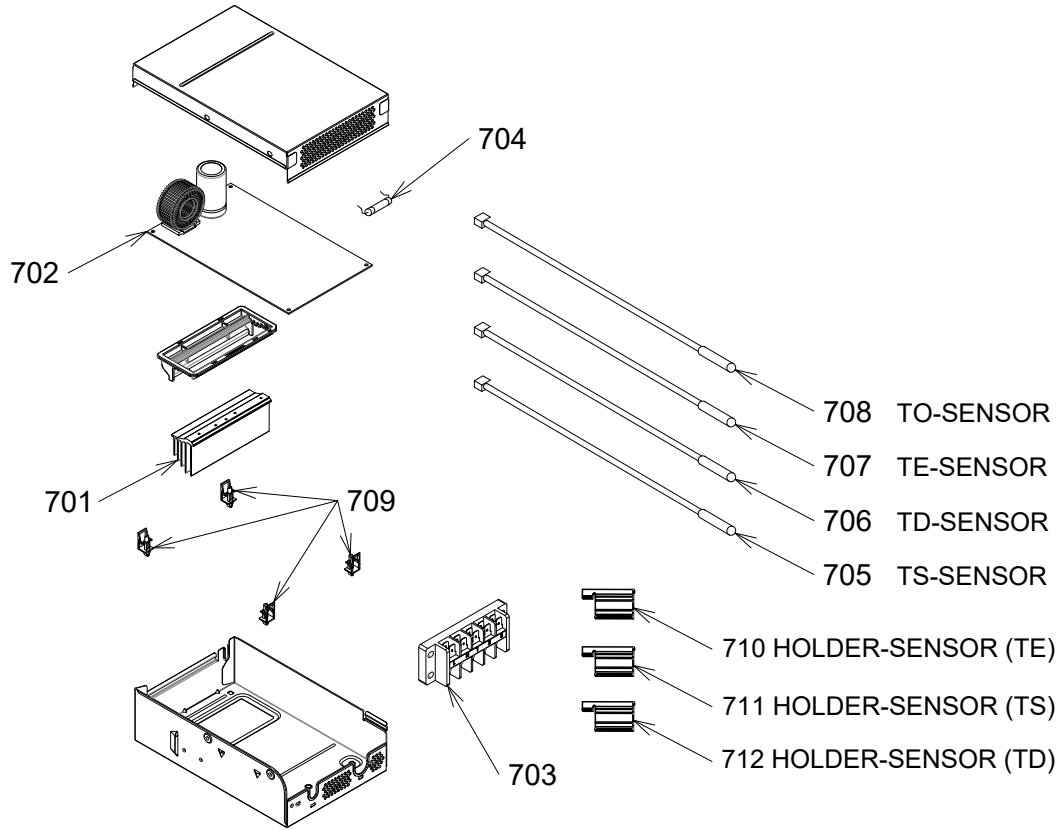
13-4. Outdoor Unit

RAS-16J2AVSG-E1



Location No.	Part No.	Description	Location No.	Part No.	Description
1	43T42382	BASE PLATE ASSEMBLY	40	43T46435	VALVE; PACKED 6.35 DIA
2	43T00459	LEFT CABINET	41	43T46461	VALVE; PACKED 12.7 DIA
3	43T00690	RIGHT CABINET ASSEMBLY	42	43T46469	BODY PMV
4	43T00735	UPPER CABINET ASSEMBLY	43	43T63360	COIL PMV
5	43T00688	FRONT CABINET ASSEMBLY	44	43T46367	4 WAY VALVE
6	43T00448	FIXING PLATE VALVE	45	43T63327	COIL-4WAY
7	43T39333	MOTOR BASE CONNECTION PLATE	51	43T58309	REACTOR
8	43T04362	GUIDE WIND PARTITION ASSEMBLY	52	43T21460	FAN MOTOR
10	43T39393	MOTOR BASE	59	43T60494	LEAD ASSY, COMPRESSOR
20	43T19364	FAN GUARD	60	43T97001	NUT
21	43T20319	PROPELLER FAN	61	43T49327	CUSHION,RUBBER
23	43T79325	DRAIN NIPPLE	62	43T47001	NUT FLANGE
24	43T00762	PACKED-VALVE COVER ASSEMBLY	70	43T91343	CARTON BOX
25	43T63376	HOLDER, SENSOR	71	43T91342	FIBERBOARD UNDER ASSEMBLY
28	43089160	CAP, WATERPROOF	72	43T91314	CUSHION-PKG-UPR
30	43T43545	CONDENSER ASSEMBLY	73	43T91301	PE SHEET
35	43T41500	COMPRESSOR	80	43T04357	SOUND INSULATION(IS)
36	43T47403	BONNET, 6.35 DIA	82	43T04429	INSULATION SOUND OUTSIDE
37	43T47405	BONNET, 12.7 DIA	84	43T04358	SOUND INSULATION(UP)

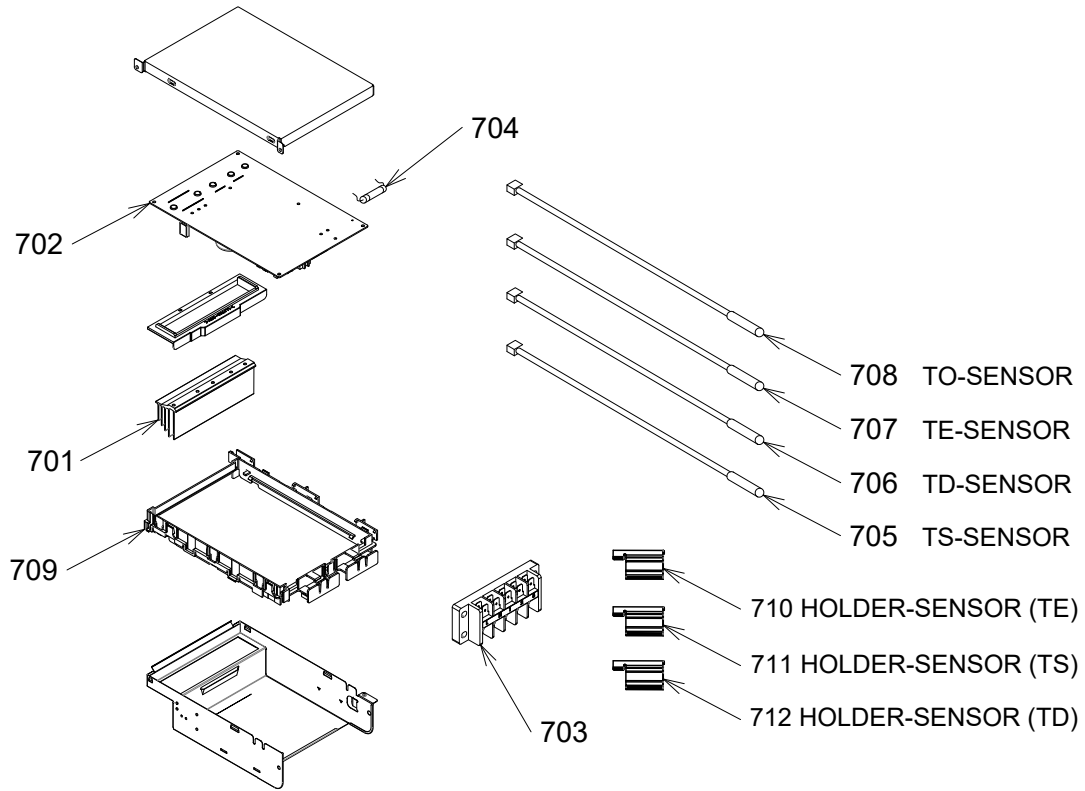
13-5. Outdoor Unit (Part-E)
RAS-10, 13J2AVSG-E1



Location No.	Part No.	Description	Location No.	Part No.	Description
701	43T67311	HEATSINK	706	43T50334	TEMPERATURE SENSOR
702	43T6W876	PC BOARD (WP-043) (FOR RAS-10J2AVSG-E1)	707	43T50352	TEMPERATURE SENSOR
702	43T6W877	PC BOARD (WP-043) (FOR RAS-13J2AVSG-E1)	708	43T50360	TC-SENSOR(TO)
703	43T60392	TERMINAL-5P	709	43T95304	SPACER-KGES
704	43T60459	FUSE	710	43T63318	HOLDER SENSOR
705	43T50353	TEMPERATURE SENSOR	711	43T63316	HOLDER,SENSOR
			712	43T63317	HOLDER,SENSOR

13-6. Outdoor Unit (Part-E)

RAS-16J2AVSG-E1



Location No.	Part No.	Description	Location No.	Part No.	Description
701	43T62351	HEATSINK	707	43T50352	TEMPERATURE SENSOR
702	43T6W878	PC BOARD (WP-044)	708	43T50360	TC-SENSOR(TO)
703	43T60392	TERMINAL-5P	709	43T62313	PC PLATE BASE
704	43T60326	FUSE	710	43T63318	HOLDER SENSOR
705	43T50353	TEMPERATURE SENSOR	711	43T63316	HOLDER,SENSOR
706	43T50334	TEMPERATURE SENSOR	712	43T63317	HOLDER,SENSOR