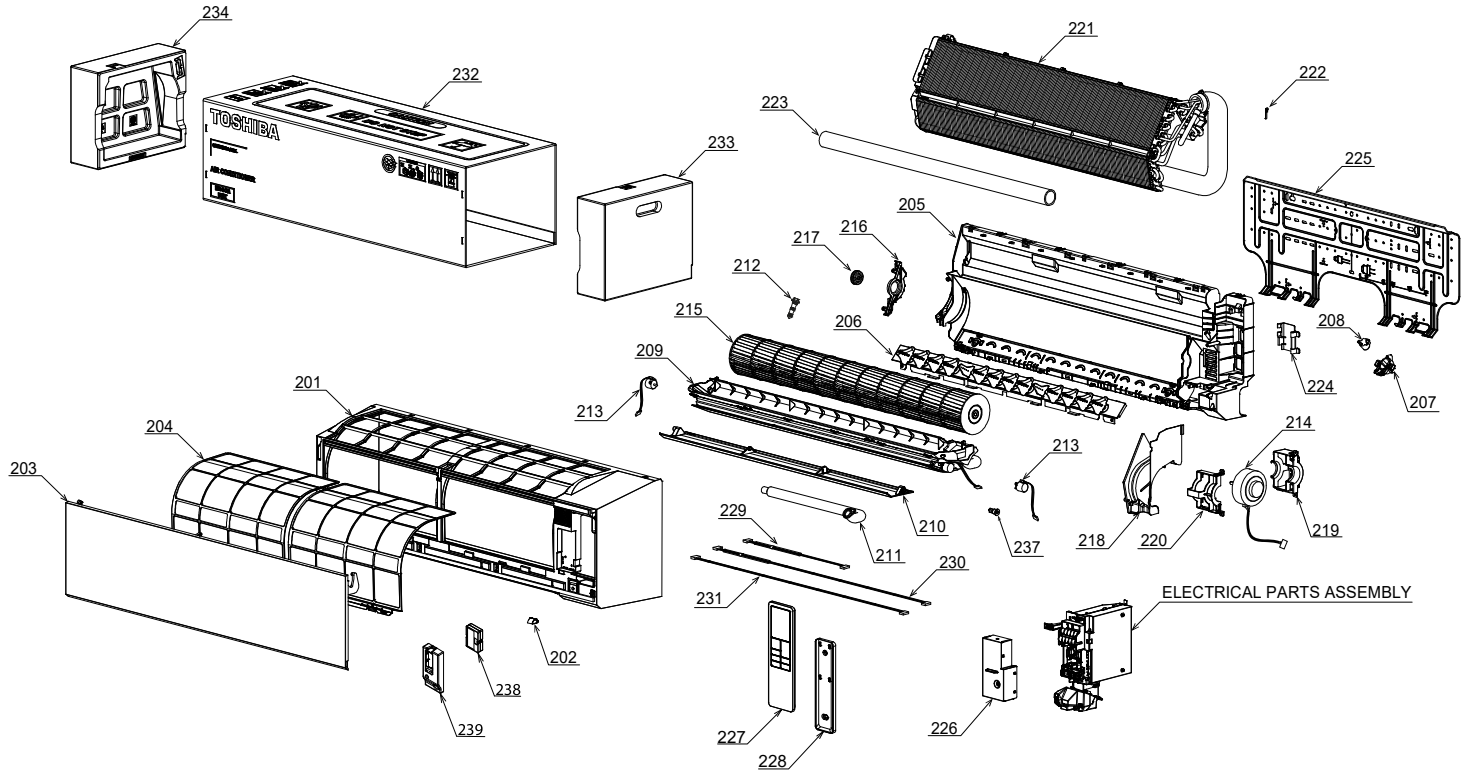


13. EXPLODED VIEWS AND PARTS LIST

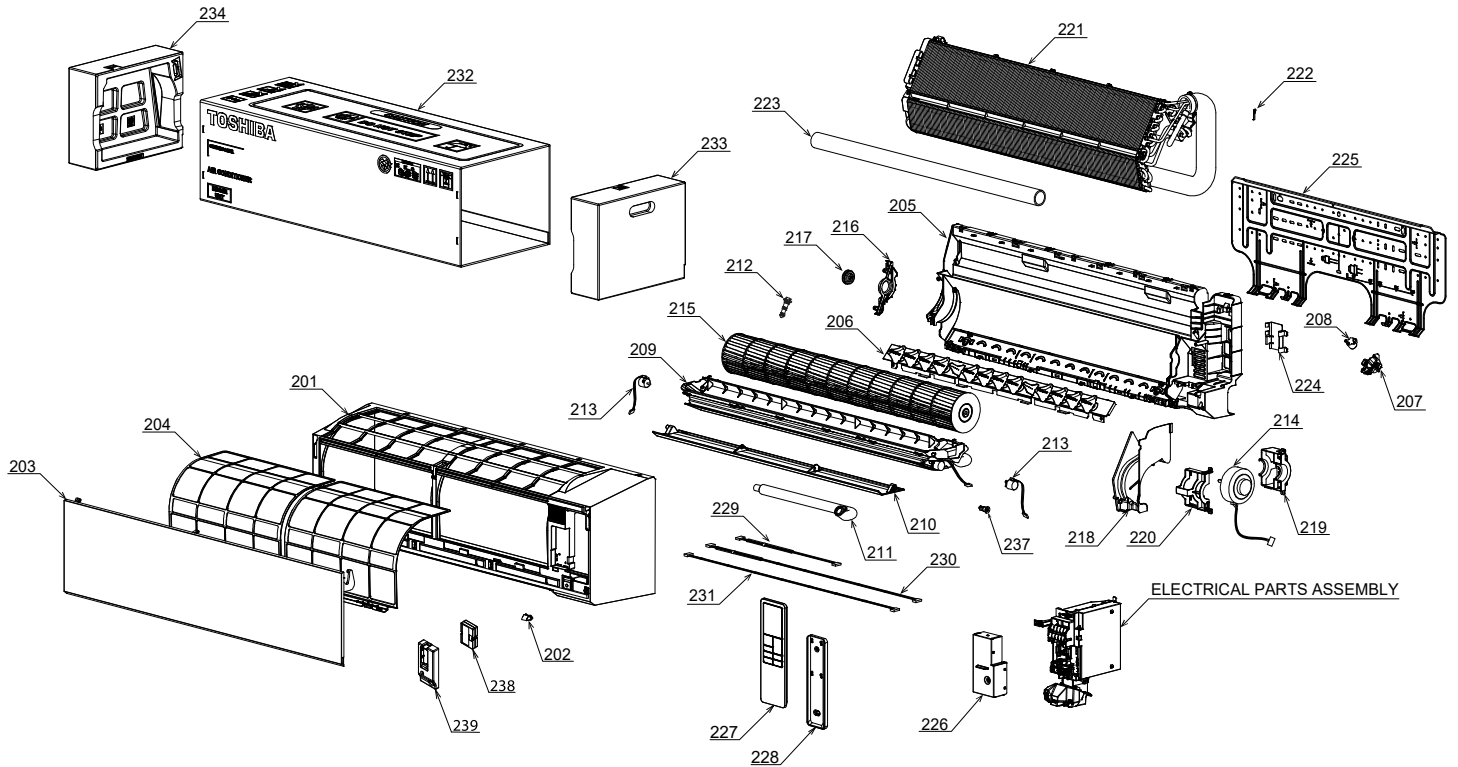
13-1. Indoor Unit

RAS-B18, 22, 24G3KVSG-E



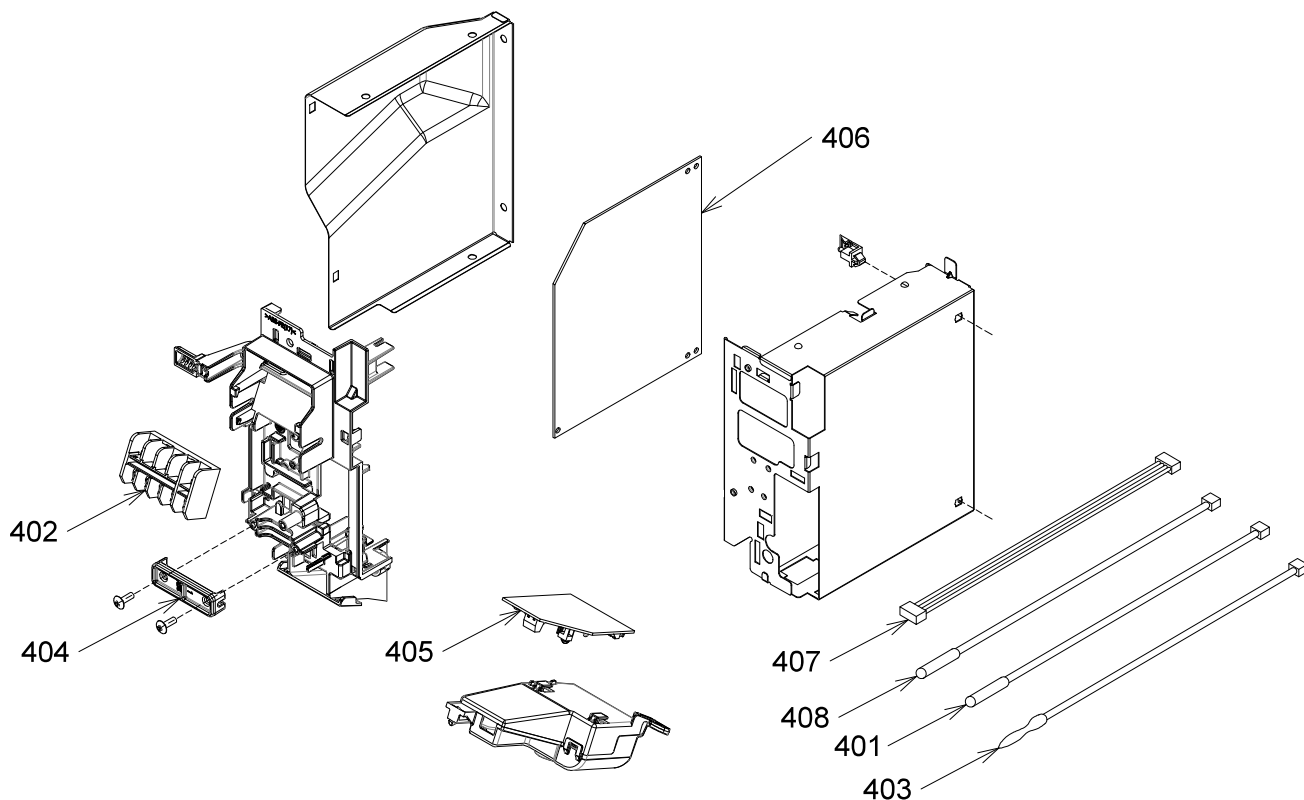
Location No.	Part No.	Description	Location No.	Part No.	Description
201	43T00778	FRONT PANEL ASSY (FOR RAS-B18,22G3KVSG-E)	219	43T39455	MOTOR BAND BACK ASSY
201	43T00779	FRONT PANEL ASSY (FOR RAS-B24G3KVSG-E)	220	43T39382	MOTOR BAND FRONT
202	43T00715	CAP SCREW	221	43T44665	REFRIGERATION CYCLE ASSY (FOR RAS-B18,22G3KVSG-E)
203	43T09586	GRILLE OF AIR INLET ASSY	221	43T44666	REFRIGERATION CYCLE ASSY (FOR RAS-B24G3KVSG-E)
204	43T80358	AIR FILTER	222	43T19333	HOLDER, SENSOR
205	43T03405	BACK BODY ASSY	223	43T11342	PIPE-SHIELD
206	43T22353	VERTICAL LOUVER ASSY	224	43T49043	HOLDER, PIPE
207	43T03406	COVER MOTOR VT	225	43T82008	PLATE, INSTALLATION
208	43T21434	STEPPING-MOTOR	226	43T62360	TERMINAL COVER ASSY
209	43T72397	DRAIN PAN ASSY	227	43T66449	WIRELESS REMOCO(WH-UA06UE)
210	43T22367	HORIZONTAL LOUVER	228	43T66423	HOLDER, REMOTE CONTROL
211	43T70321	DRAIN HOSE	229	43T60481	CORD MOTOR LOUVER RIGHT
212	43T79322	DRAIN CAP	230	43T60482	CORD MOTOR LOUVER LEFT
213	43T21478	MOTOR; STEPPING	231	43T60483	CORD MOTOR LOUVER HR
214	43T21488	MOTOR FAN	232	43T91333	PACKING SLEEVE
215	43T20357	CROSS FLOW FAN ASSY	233	43T91397	PACKING CUSHION RIGHT
216	43T39385	BASE BEARING	234	43T91398	PACKING CUSHION LEFT
217	43T22312	BEARING ASSY, MOLD	237	43125202	COVER-AXIS
218	43T39383	MOTOR COVER (FOR RAS-B18,22G3KVSG-E)	238	43T66421	WIRELESS ADAPTER (WRE-T00BJ10)
218	43T39384	MOTOR COVER (FOR RAS-B24G3KVSG-E)	239	43T08438	COVER WIFI

RAS-B18, 22, 24G3KVSGB-E



Location No.	Part No.	Description	Location No.	Part No.	Description
201	43T00922	FRONT PANEL BLACK ASSY (FOR RAS-B18,22G3KVSGB-E)	219	43T39455	MOTOR BAND BACK ASSY
201	43T00923	FRONT PANEL BLACK ASSY (FOR RAS-B24G3KVSGB-E)	220	43T39382	MOTOR BAND FRONT
202	43T00834	CAP SCREW BLACK	221	43T44665	REFRIGERATION CYCLE ASSY (FOR RAS-B18,22G3KVSGB-E)
203	43T09643	GRILLE OF AIR INLET BLACK ASSY	221	43T44666	REFRIGERATION CYCLE ASSY (FOR RAS-B24G3KVSGB-E)
204	43T80358	AIR FILTER	222	43T19333	HOLDER, SENSOR
205	43T03405	BACK BODY ASSY	223	43T11342	PIPE-SHIELD
206	43T22353	VERTICAL LOUVER ASSY	224	43T49043	HOLDER, PIPE
207	43T03406	COVER MOTOR VT	225	43T82008	PLATE, INSTALLATION
208	43T21434	STEPPING-MOTOR	226	43T62360	TERMINAL COVER ASSY
209	43T72398	DRAIN PAN BLACK ASSY	227	43T66427	WIRELESS REMOCO (WH-UA04UE)
210	43T22381	HORIZONTAL LOUVER BLACK	228	43T66423	HOLDER, REMOTE CONTROL
211	43T70321	DRAIN HOSE	229	43T60481	CORD MOTOR LOUVER RIGHT
212	43T79322	DRAIN CAP	230	43T60482	CORD MOTOR LOUVER LEFT
213	43T21478	MOTOR; STEPPING	231	43T60483	CORD MOTOR LOUVER HR
214	43T21488	MOTOR FAN	232	43T91333	PACKING SLEEVE
215	43T20357	CROSS FLOW FAN ASSY	233	43T91397	PACKING CUSHION RIGHT
216	43T39385	BASE BEARING	234	43T91398	PACKING CUSHION LEFT
217	43T22312	BEARING ASSY, MOLD	237	43125202	COVER-AXIS
218	43T39383	MOTOR COVER (FOR RAS-B18,22G3KVSGB-E)	238	43T66421	WIRELESS ADAPTER (WRE-T00BJ10)
218	43T39384	MOTOR COVER (FOR RAS-B24G3KVSGB-E)	239	43T08438	COVER WIFI

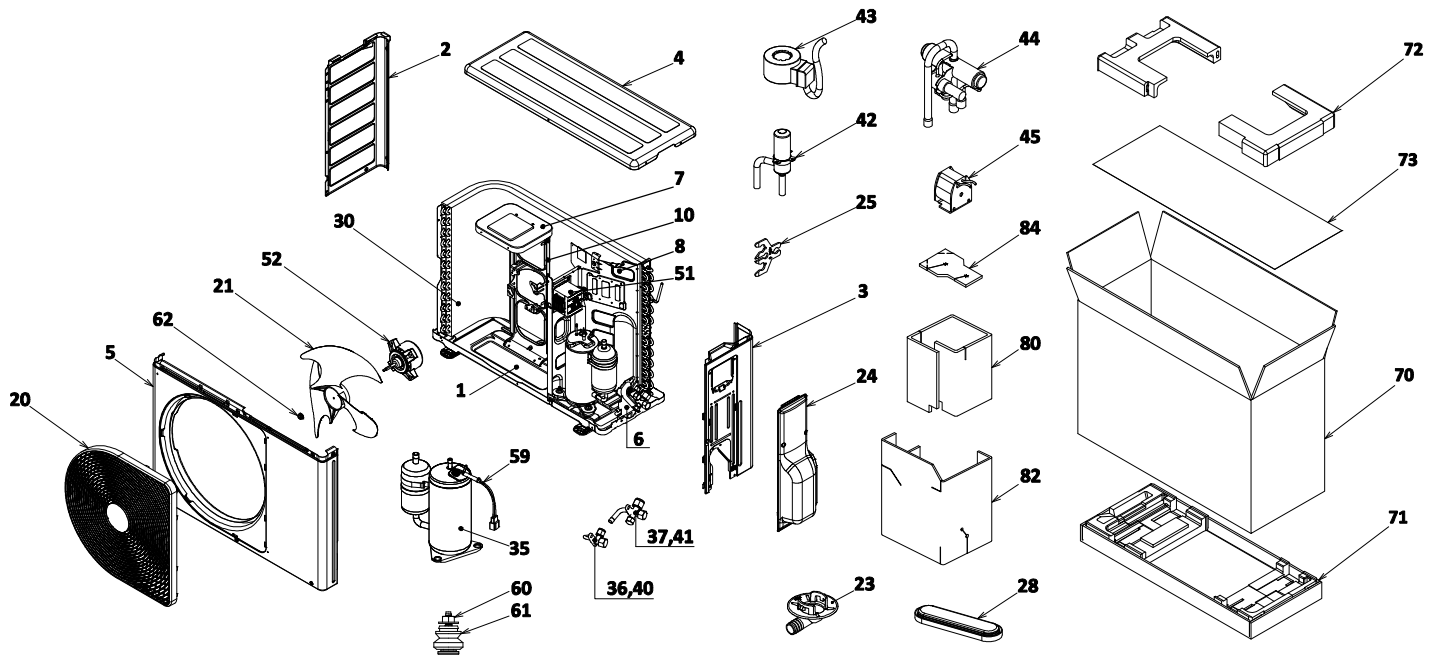
13-2. Indoor Unit (Part-E)



Location No.	Part No.	Description	Location No.	Part No.	Description
401	43T50414	TC-SENSOR	406	43TN9861	PC BOARD ASSY(WP-048) (FOR RAS-B22G3KVSG-E,B22G3KVSGB-E)
402	43T6V673	TERMINAL(5P-TF)	406	43TN9863	PC BOARD ASSY(WP-048) (FOR RAS-B24G3KVSG-E,B24G3KVSGB-E)
403	43T60604	SENSOR-TA(SEMITEC)	407	43T60502	HOUSING-WiFi
404	43T62340	CORD-CLAMP	408	43T60605	TEMPERATURE SENSOR
405	43T6W727	PC BOARD ASSY : WRS-LED			
406	43TN9859	PC BOARD ASSY(WP-048) (FOR RAS-B18G3KVSG-E,B18G3KVSGB-E)			

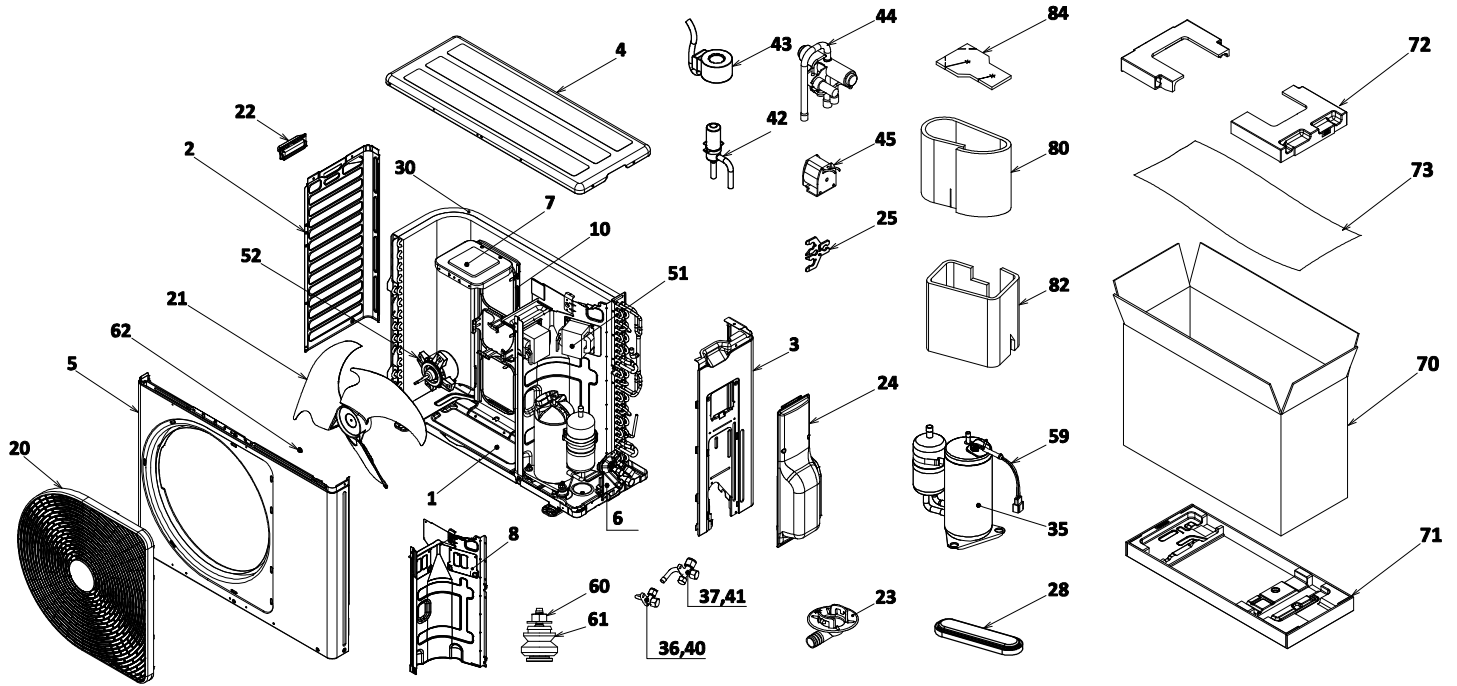
13-3. Outdoor Unit

RAS-18, 22J2AVSG-E1



Location No.	Part No.	Description	Location No.	Part No.	Description
1	43T42382	BASE PLATE ASSEMBLY	40	43T46435	VALVE; PACKED 6.35 DIA
2	43T00459	LEFT CABINET	41	43T46461	VALVE; PACKED 12.7 DIA
3	43T00690	RIGHT CABINET ASSEMBLY	42	43T46469	BODY PMV
4	43T00735	UPPER CABINET ASSEMBLY	43	43T63360	COIL PMV
5	43T00688	FRONT CABINET ASSEMBLY	44	43T46367	4 WAY VALVE
6	43T00448	FIXING PLATE VALVE	45	43T63327	COIL-4WAY
7	43T39333	MOTOR BASE CONNECTION PLATE	51	43T58309	REACTOR
8	43T04362	GUIDE WIND PARTITION ASSEMBLY	52	43T21460	MOTOR FAN
10	43T39393	MOTOR BASE	59	43T60494	LEAD ASSY, COMPRESSOR
20	43T19364	FAN GUARD	60	43T97001	NUT
21	43T20319	PROPELLER FAN	61	43T49327	CUSHION,RUBBER
23	43T79325	DRAIN NIPPLE	62	43T47001	NUT FLANGE
24	43T00762	PACKED-VALVE COVER ASSEMBLY	70	43T91343	CARTON BOX
25	43T63376	HOLDER, SENSOR	71	43T91342	FIBERBOARD UNDER ASSEMBLY
28	43089160	CAP, WATERPROOF	72	43T91314	CUSHION-PKG-UPR
30	43T43562	CONDENSER ASSEMBLY	73	43T91301	PE SHEET
35	43T41522	COMPRESSOR	80	43T04463	INSULATION SOUND INSIDE
36	43T47403	BONNET, 6.35 DIA	82	43T04462	INSULATION SOUND OUTSIDE
37	43T47405	BONNET, 12.7 DIA	84	43T04416	SOUND INSULATION(UP)

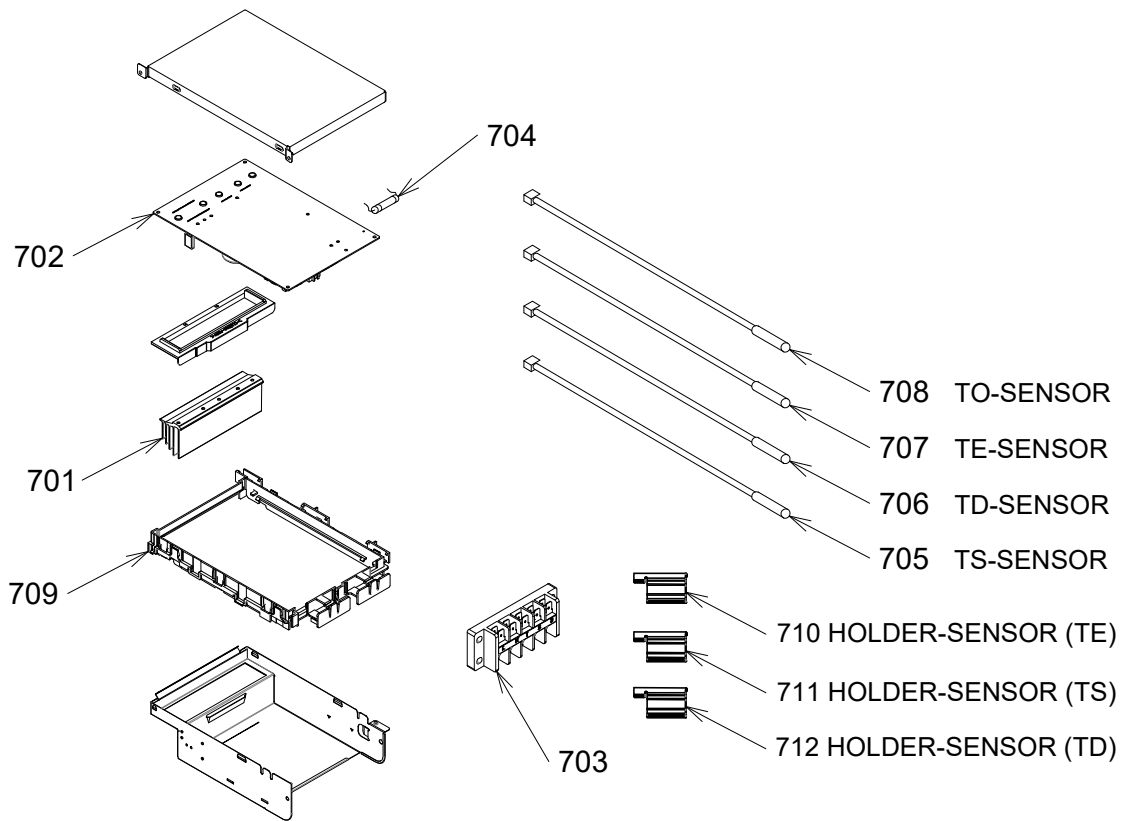
RAS-24J2AVSG-E1



Location No.	Part No.	Description	Location No.	Part No.	Description
1	43T42383	BASE PLATE ASSEMBLY	40	43T46435	VALVE; PACKED 6.35 DIA
2	43T00560	LEFT CABINET	41	43T46507	VALVE; PACKED 12.7 DIA
3	43T00719	RIGHT SIDE CABINET ASSEMBLY	42	43T46469	BODY PMV
4	43T00561	UPPER CABINET	43	43T63360	COIL PMV
5	43T00774	FRONT CABINET ASSEMBLY	44	43T46367	4 WAY VALVE
6	43T00448	FIXING PLATE VALVE	45	43T63327	COIL-4WAY
7	43T39341	MOTOR BASE CONNECTION PLATE	51	43T58306	REACTOR
8	43T04383	GUIDE WIND PARTITION ASSEMBLY	52	4302C103	MOTOR-FAN
10	43T39374	MOTOR BASE	59	43T60497	LEAD ASSY, COMPRESSOR
20	43T19371	FAN GUARD	60	43T97001	NUT
21	43T20331	PROPELLER FAN	61	43T49327	CUSHION,RUBBER
22	43T19350	HANDLE	62	43T47001	NUT FLANGE
23	43T79325	DRAIN NIPPLE	70	43T91336	CARTON-BOX
24	43T00762	PACKED-VALVE COVER ASSEMBLY	71	43T91381	FIBERBOARD UNDER ASSEMBLY
25	43T63376	HOLDER, SENSOR	72	43T91337	CUSHION PACKING UPPER
28	43089160	CAP, WATERPROOF	73	43T91301	PE SHEET
30	43T43563	CONDENSER ASSEMBLY	80	43T04431	INSULATION SOUND INSIDE
35	43T41523	COMPRESSOR	82	43T04430	INSULATION SOUND OUTSIDE
36	43T47403	BONNET, 6.35 DIA	84	43T04416	SOUND INSULATION(UP)
37	43T47405	BONNET, 12.7 DIA			

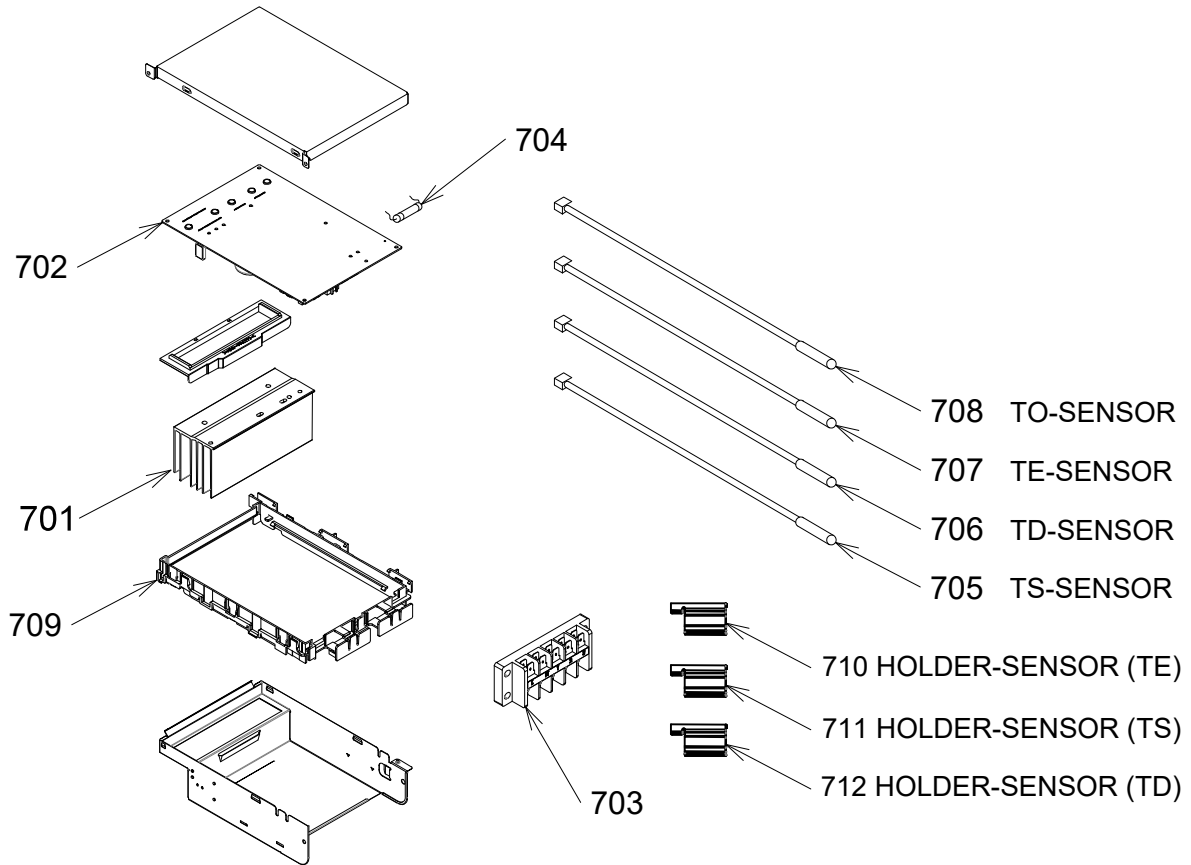
13-4. Outdoor Unit (Part-E)

RAS-18, 22J2AVSG-E1



Location No.	Part No.	Description	Location No.	Part No.	Description
701	43T62351	HEATSINK	706	43T60465	TEMPERATURE SENSOR
702	43TN9812	PC BOARD (WP-044) (FOR RAS-18J2AVSG-E1)	707	43T50352	TEMPERATURE SENSOR
702	43TN9813	PC BOARD (WP-044) (FOR RAS-22J2AVSG-E1)	708	43T50360	TC-SENSOR(TO)
703	43T60392	TERMINAL-5P	709	43T62313	PC PLATE BASE
704	43T60326	FUSE	710	43T63318	HOLDER SENSOR
705	43T50336	TEMPERATURE SENSOR	711	43T63316	HOLDER,SENSOR
			712	43T63317	HOLDER,SENSOR

RAS-24J2AVSG-E1



Location No.	Part No.	Description	Location No.	Part No.	Description
701	43T67310	HEATSINK	707	43T50352	TEMPERATURE SENSOR
702	43TN9814	PC BOARD (WP-044)	708	43T50360	TC-SENSOR(TO)
703	43T60392	TERMINAL-5P	709	43T62313	PC PLATE BASE
704	43T60326	FUSE	710	43T63318	HOLDER SENSOR
705	43T50336	TEMPERATURE SENSOR	711	43T63316	HOLDER,SENSOR
706	43T60465	TEMPERATURE SENSOR	712	43T63317	HOLDER,SENSOR