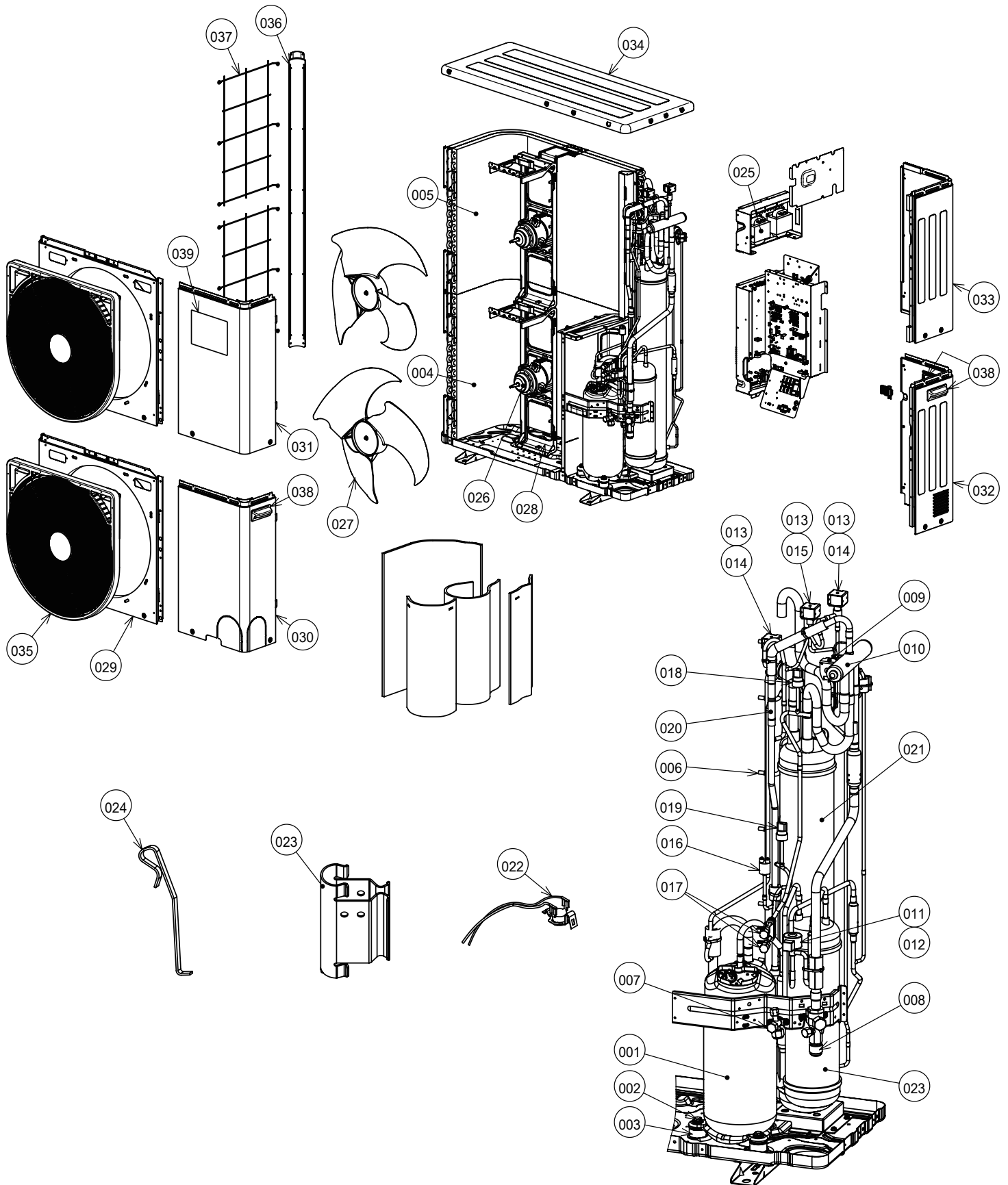


12 Exploded diagram / parts list

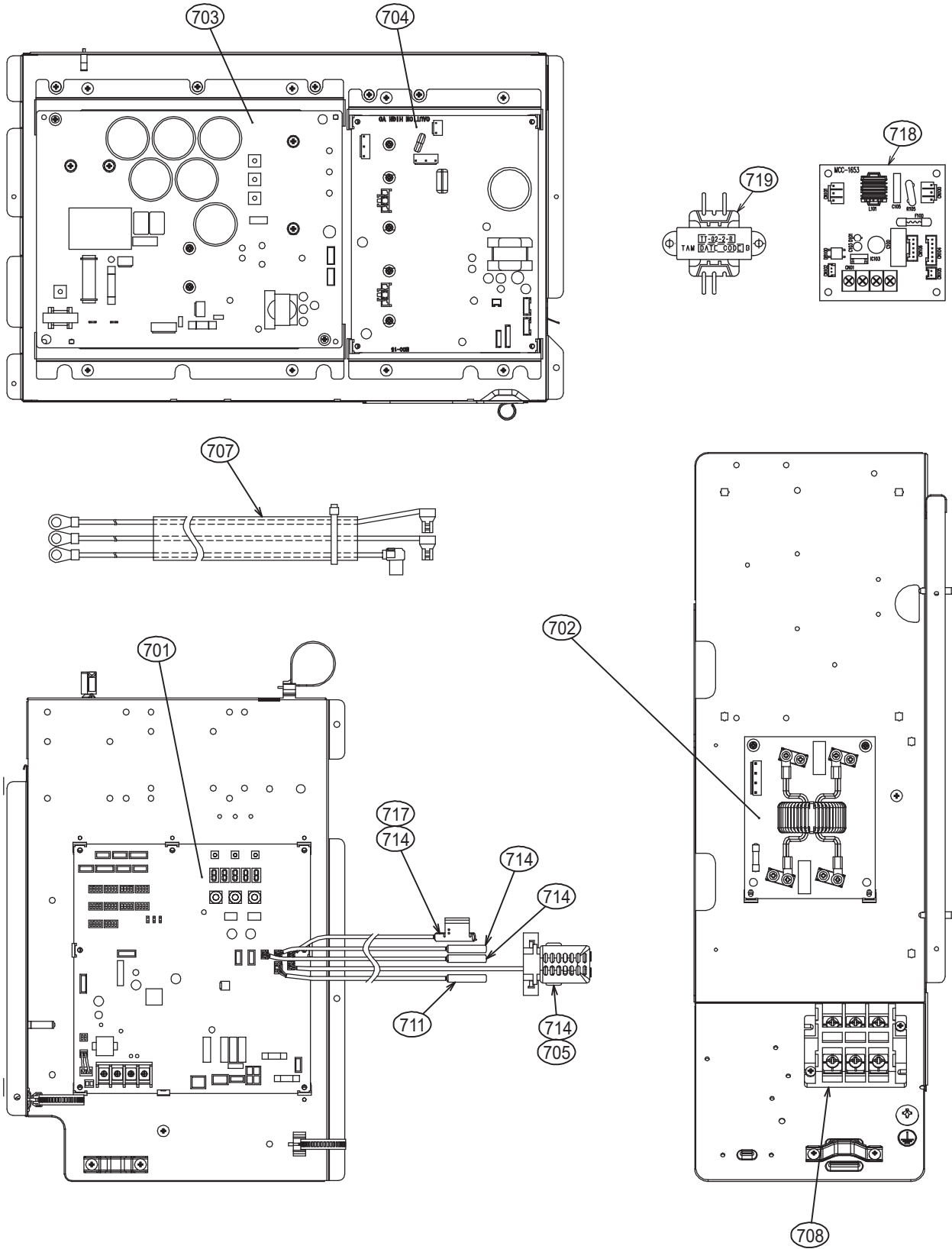


Ref.No.	Part No.	Description	Q'ty/Set MCY-MHP	
			0404HS-E	0404HS-TR
			0504HS-E	0504HS-TR
001	43H41502	COMPRESSOR, DA422A3T-20MD1	1	1
002	43H97003	BOLT, COMPRESSOR	3	3
003	43H42002	RUBBER, CUSHION	3	3
004	43H43014	CONDENSER ASSY, LOWER	1	1
005	43H43015	CONDENSER ASSY, UP	1	1
006	43H47020	DISTRIBUTOR ASSY	1	1
007	43H46027	VALVE, PACKED, 9.52DIA	1	1
008	43H46028	VALVE, BALL, 15.88DIA	1	1
009	43H46014	COIL, 4WAY	1	1
010	43H46042	VALVE, 4WAY	1	1
011	43H46048	COIL, PMV	1	1
012	43H46049	BODY, PMV	1	1
013	43H46016	COIL, 2WAY	3	3
014	43H46017	VALVE, 2WAY, FDF3A08	2	2
015	43H46018	VALVE, 2WAY, FDF2A88	1	1
016	43H51001	SWITCH, PRESSURE ACB-4UB32W	1	1
017	43H46019	JOINT, CHECK	2	2
018	43H51007	SENSOR ASSY, LOW PRESSURE	1	1
019	43H51008	SENSOR ASSY, HIGH PRESSURE	1	1
020	43H46035	VALVE, CHECK	1	1
021	43H48014	TANK	1	1
022	43H50013	THERMOSTAT, COMPRESSOR	1	1
023	43H63003	HOLDER, SENSOR	1	1
024	43H19010	HOLDER, SENSOR (TS)	3	3
025	43H58005	REACTOR, CH-57-DN	2	2
026	43H21003	MOTOR, FAN, WDF-340-A100-1	2	2
027	43H20003	FAN, PROPELLER, PN501	2	2
028	43H22002	BASE, ASSY, MOTOR	2	2
029	43H00017	PANEL, ASSY, OUT	2	2
030	43H00018	PANEL, ASSY, FRONT, LOWER	1	1
031	43H00019	PANEL, ASSY, FRONT UP	1	1
032	43H02003	PANEL, ASSY, SIDE, LOWER	1	1
033	43H02004	PANEL, ASSY, SIDE, UP	1	1
034	43H00020	PANEL, ASSY, TOP	1	1
035	43H19014	GUARD, FAN	2	2
036	43H19012	PLATE, STAY	1	1
037	43H07004	GUARD, FIN, SIDE	2	2
038	43H07005	HANDLE	3	3
039	43H15004	MARK, TOSHIBA, MiNi-SMMS	1	1

Ref.No.	Part No.	Description	Q'ty/Set MCY-MHP		
			0404HS	0404HS-ID	0404HS-A
			0504HS	0504HS-ID	0504HS-A
001	43H41502	COMPRESSOR, DA422A3T-20MD1	1	1	1
002	43H97003	BOLT, COMPRESSOR	3	3	3
003	43H42002	RUBBER, CUSHION	3	3	3
004	43H43014	CONDENSER ASSY, LOWER	1	1	1
005	43H43015	CONDENSER ASSY, UP	1	1	1
006	43H47020	DISTRIBUTOR ASSY	1	1	1
007	43H46027	VALVE, PACKED, 9.52DIA	1	1	1
008	43H46028	VALVE, BALL, 15.88DIA	1	1	1
009	43H46014	COIL, 4WAY	1	1	1
010	43H46042	VALVE, 4WAY	1	1	1
011	43H46048	COIL, PMV	1	1	1
012	43H46049	BODY, PMV	1	1	1
013	43H46016	COIL, 2WAY	3	3	3
014	43H46017	VALVE, 2WAY, FDF3A08	2	2	2
015	43H46018	VALVE, 2WAY, FDF2A88	1	1	1
016	43H51001	SWITCH, PRESSURE ACB-4UB32W	1	1	1
017	43H46019	JOINT, CHECK	2	2	2
018	43H51007	SENSOR ASSY, LOW PRESSURE	1	1	1
019	43H51008	SENSOR ASSY, HIGH PRESSURE	1	1	1
020	43H46035	VALVE, CHECK	1	1	1
021	43H48014	TANK	1	1	1
022	43H50013	THERMOSTAT, COMPRESSOR	1	1	1
023	43H63003	HOLDER, SENSOR	1	1	1
024	43H19010	HOLDER, SENSOR (TS)	3	3	3
025	43H58005	REACTOR, CH-57-DN	2	2	2
026	43H21003	MOTOR, FAN, WDF-340-A100-1	2	2	2
027	43H20003	FAN, PROPELLER, PN501	2	2	2
028	43H22002	BASE, ASSY, MOTOR	2	2	2
029	43H00017	PANEL, ASSY, OUT	2	2	2
030	43H00018	PANEL, ASSY, FRONT, LOWER	1	1	1
031	43H00019	PANEL, ASSY, FRONT UP	1	1	1
032	43H02003	PANEL, ASSY, SIDE, LOWER	1	1	1
033	43H02004	PANEL, ASSY, SIDE, UP	1	1	1
034	43H00020	PANEL, ASSY, TOP	1	1	1
035	43H19014	GUARD, FAN	2	2	2
036	43H19012	PLATE, STAY	1	1	1
037	43H07004	GUARD, FIN, SIDE	2	2	2
038	43H07005	HANDLE	3	3	3
039	43H15004	MARK, TOSHIBA, MiNi-SMMS	1	1	1

Ref.No.	Part No.	Description	Q'ty/Set MCY-MHP		
			0604		
			HS-E	HS-TR	HS HS-ID HS-A
001	43H41502	COMPRESSOR, DA422A3T-20MD1	1	1	i
002	43H97003	BOLT, COMPRESSOR	3	3	3
003	43 H42002	RUBBER, CUSHION	3	3	3
004	43H43014	CONDENSER ASSY, LOWER	1	1	1
005	43H43015	CONDENSER ASSY, UP	1	1	1
006	43H47020	DISTRIBUTOR ASSY	1	1	1
007	43 H46027	VALVE, PACKED, 9.52DIA	1	1	1
008	43H46040	VALVE, BALL, 19.05DIA	1	1	1
009	43H46014	COIL, 4WAY	1	1	1
010	43H46042	VALVE, 4WAY	1	1	1
011	43H46048	COIL, PMV	1	1	1
012	43H46049	BODY, PMV	1	1	1
013	43H46016	COIL, 2WAY	3	3	3
014	43H46017	VALVE, 2WAY, FDF3A08	2	2	2
015	43H46018	VALVE, 2WAY, FDF2A88	1	1	1
016	43H51001	SWITCH, PRESSURE ACB-4UB32W	1	1	1
017	43H46019	JOINT, CHECK	2	2	2
018	43H51007	SENSOR ASSY, LOW PRESSURE	1	1	1
019	43H51008	SENSOR ASSY, HIGH PRESSURE	1	1	1
020	43H46035	VALVE, CHECK	1	1	1
021	43H48014	TANK	1	1	1
022	43H50013	THERMOSTAT, COMPRESSOR	1	1	1
023	43H63003	HOLDER, SENSOR	1	1	1
024	43H19010	HOLDER, SENSOR (TS)	3	3	3
025	43H58005	REACTOR, CH-57-DN	2	2	2
026	43H21003	MOTOR, FAN, WDF-340-A100-1	2	2	2
027	43H20003	FAN, PROPELLER, PN501	2	2	2
028	43 H22002	BASE, ASSY, MOTOR	2	2	2
029	43H00017	PANEL, ASSY, OUT	2	2	2
030	43H00018	PANEL, ASSY, FRONT, LOWER	1	1	1
031	43H00019	PANEL, ASSY, FRONT UP	1	1	1
032	43H02003	PANEL, ASSY, SIDE, LOWER	1	1	1
033	43H02004	PANEL, ASSY, SIDE, UP	1	1	1
034	43H00020	PANEL, ASSY, TOP	1	1	1
035	43H19014	GUARD, FAN	2	2	2
036	43H19012	PLATE, STAY	1	1	1
037	43H07004	GUARD, FIN, SIDE	2	2	2
038	43H07005	HANDLE	3	3	3
039	43H15004	MARK, TOSHIBA, MiNi-SMMS	1	1	1

Inverter assembly



Ref.No.	Part No.	Description	Q'ty/Set MCY-MHP		
			0404HS	0404HS-E,ID,TR	0404HS-A
			0504HS	0504HS-E,ID,TR	0504HS-A
			0604HS	0604HS-E,ID,TR	0604HS-A
701	43H69011	PC BOARD ASSY,INTERFACE,MCC-1639	1	1	1
702	43H69012	PC BOARD ASSY,NOISE-FILTER,MCC-1551	1	1	1
703	43H69013	PC BOARD ASSY,COMP-IPDU,MCC-1647	1	1	1
704	43H69030	PC BOARD ASSY,FAN-IPDU,MCC-1597	1	1	1
705	43H50001	HOLDER SENSOR(TO)	1	1	1
707	43H60001	LEAD ASSY,COMPRESSOR	1	1	1
708	43H60011	TERMINAL,3P(AC600V/60A)	1	1	1
711	43H50002	SENSOR,TD	1	1	1
714	43H50005	SENSOR	4	4	4
717	43H50026	HOLDER,SENSOR(TE)	1	1	1
718	4316V537	PC BOARD ASSY,MCC-1653			1
719	43158234	TRANSFORMER,POWER,TT-02			1