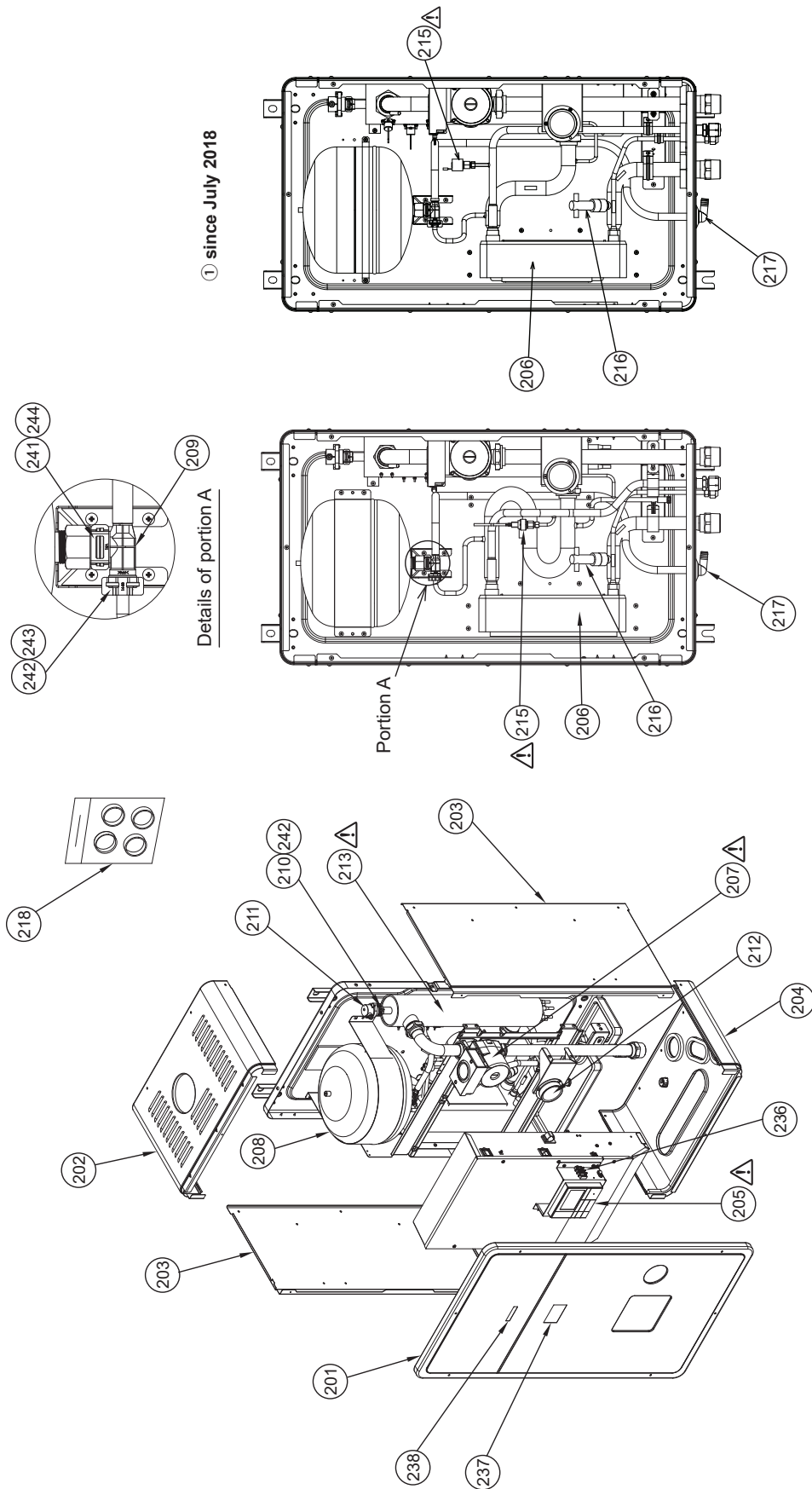
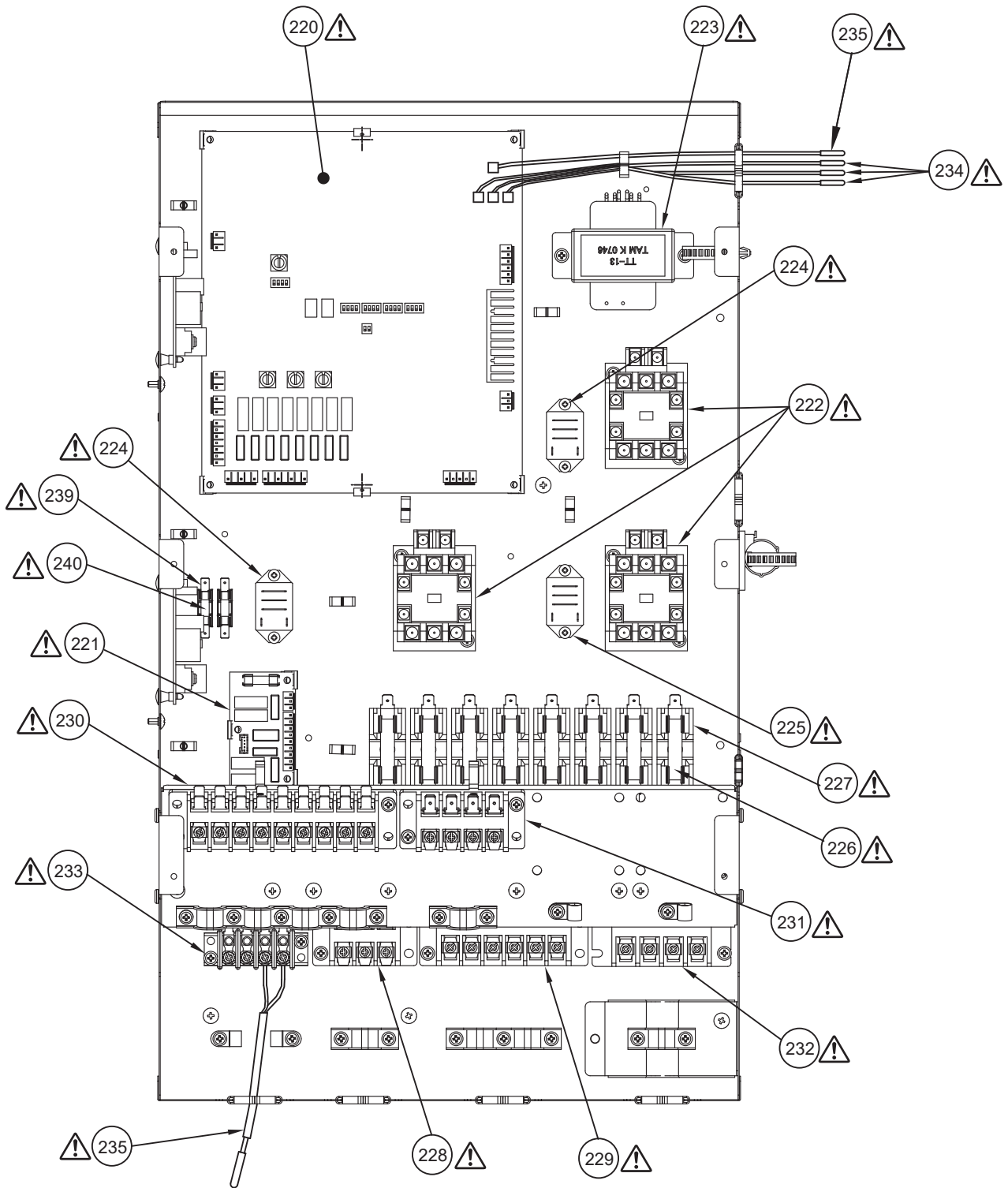


15 Part exploded view, part list

Hydro Unit

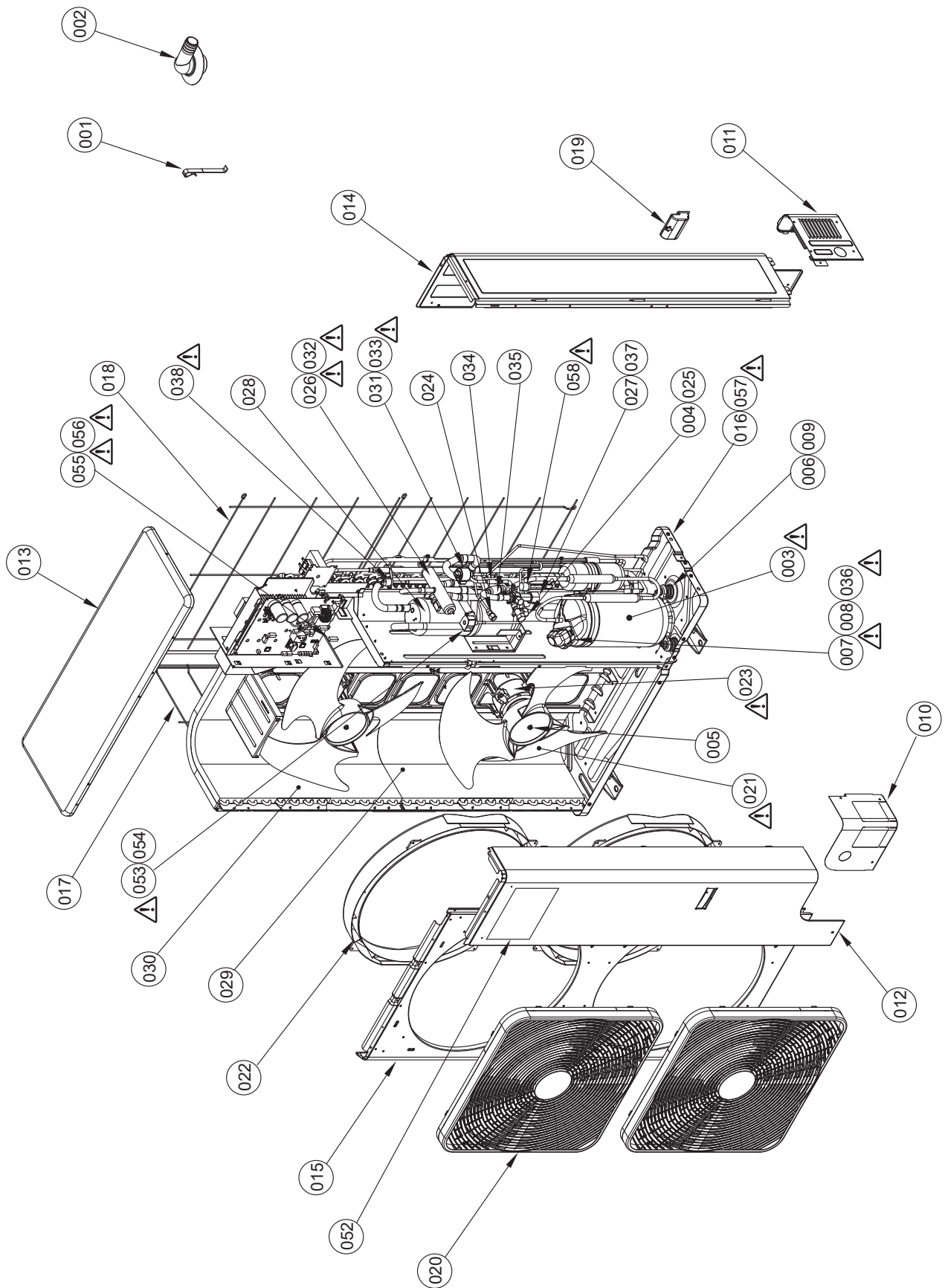


E-P-Box Assembly (Hydro Unit)



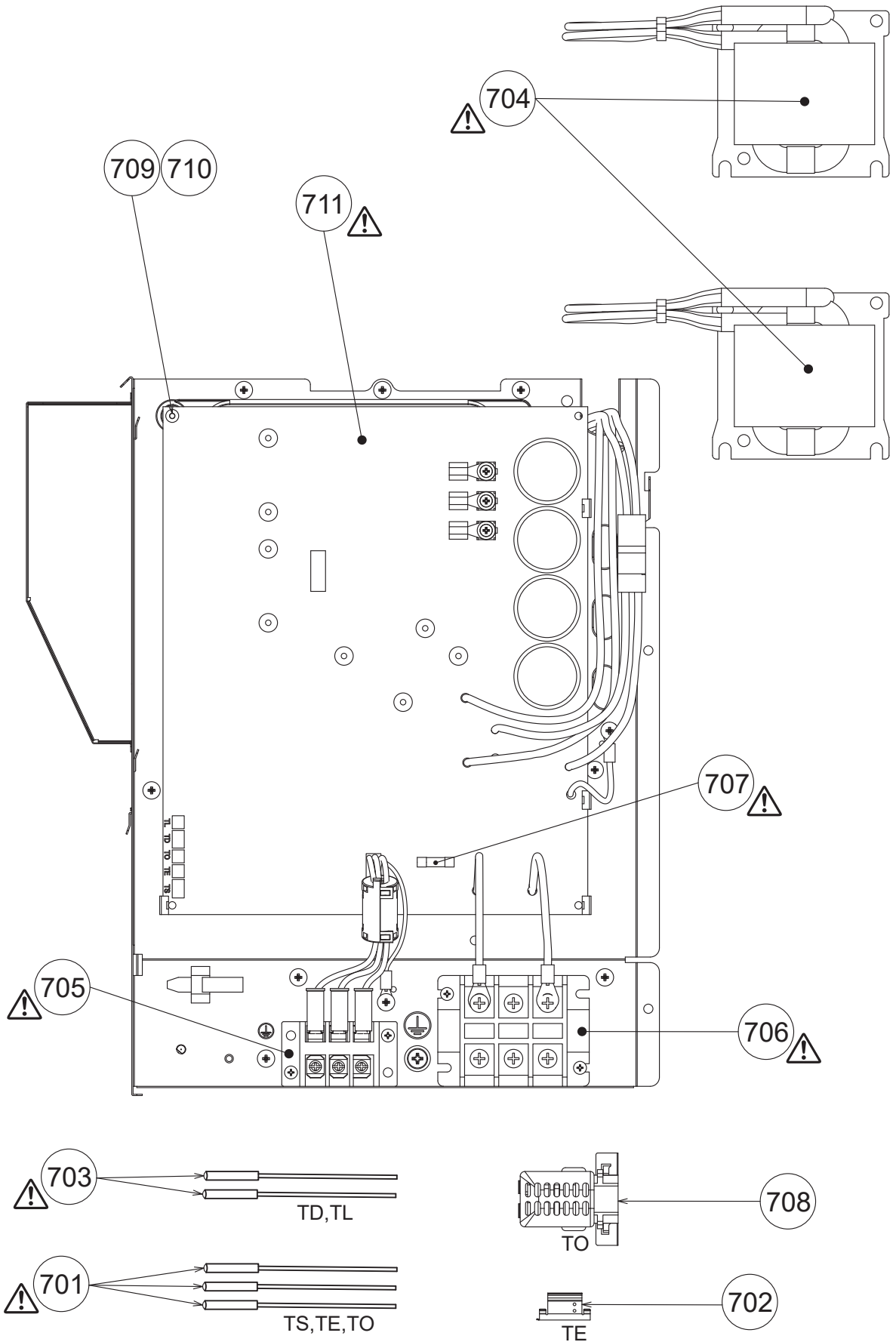
Safety ⚠	Location No.	Part No.	Description	Number of pieces per unit					
				HWS-P805XW HM3-E	HWS-P805XW HT6-E	HWS-P805XW HT9-E	HWS-P1105X WHM3-E	HWS-P1105X WHT6-E	HWS-P1105X WHT9-E
	201	37500840	CABINET, FRONT	1	1	1	1	1	1
	202	37500800	PLATE, UP	1	1	1	1	1	1
	203	37500801	PLATE, SIDE	2	2	2	2	2	2
	204	37500835	PLATE, DN, ASSY	1	1	1	1	1	1
⚠	205	37566711	REMOTE CONTROLLER	1	1	1	1	1	1
	206	37546887	PIPE ASSY, WATER HEAT EXCHANGER				1	1	1
	206	37546888	PIPE ASSY, WATER HEAT EXCHANGER	1	1	1			
⚠	207	37541739	PUMP, WATER, ASSY	1	1	1			
⚠	207	37541740	PUMP, WATER, ASSY				1	1	1
	208	37542710	VESSEL, EXPANTION	1	1	1	1	1	1
	209	37547773	VALVE ASSY, OVERPRESSURE PREVENTIVE	1	1	1	1	1	1
	210	37519776	FASTENER, QUICK	1	1	1	1	1	1
	211	37547769	VALVE, AIR VENT	1	1	1	1	1	1
	212	37543706	METER, PRESSURE	1	1	1	1	1	1
⚠	213	37545713	HEATER ASSY	1			1		
⚠	213	37545714	HEATER ASSY		1			1	
⚠	213	37545715	HEATER ASSY			1			1
⚠	215	37551736	SENSOR, LOW PRESSURE	1	1	1	1	1	1
	216	37551735	SWITCH, FLOW				1	1	1
	216	37551737	SWITCH, FLOW	1	1	1			
	217	43F32441	NIPPLE, DRAIN	1	1	1	1	1	1
	218	37595721	PACKING, ASSY	1	1	1	1	1	1
⚠	220	3026V072	PC BOARD ASSY	1	1	1	1	1	1
⚠	221	4316V338	PC BOARD ASSY	1	1	1	1	1	1
⚠	222	43152401	CONTACTOR, MAGNETIC	2	3	3	2	3	3
⚠	223	43158187	TRANSFORMER	1	1	1	1	1	1
⚠	224	43154156	RELAY, LY1F	1	2	2	1	2	2
⚠	225	43054107	RELAY, LY1F	1	1	1	1	1	1
⚠	226	43160297	FUSE	4	6	8	4	6	8
⚠	227	43060059	FUSE, HOLDER	4	6	8	4	6	8
⚠	228	43160565	TERMINAL BLOCK, 3P, 20A	1	1	1	1	1	1
⚠	229	43160566	TERMINAL BLOCK, 6P, 20A	1	1	1	1	1	1
⚠	230	4306A130	TERMINAL BLOCK, 9P, 20A	1	1	1	1	1	1
⚠	231	43160576	TERMINAL BLOCK, 4P, 20A	1	1	1	1	1	1
⚠	232	43160579	TERMINAL	1	1	1	1	1	1
⚠	233	43160561	TERMINAL, 4P	1	1	1	1	1	1
⚠	234	43050425	SENSOR ASSY, SERVICE	3	3	3	3	3	3
⚠	235	43150320	SENSOR ASSY, SERVICE	2	2	2	2	2	2
⚠	236	43160568	TERMINAL, 2P	1	1	1	1	1	1
	237	37517875	MARK, ESTIA	1	1	1	1	1	1
	238	37517876	MARK, TOSHIBA FOR ESTIA	1	1	1	1	1	1
⚠	239	43160571	FUSE, HOLDER, 15A, 250V	2	2	2	2	2	2
⚠	240	43F6A156	FUSE(ET), 3.15A, AC250V	2	2	2	2	2	2
	241	3025Q006	RING, O	1	1	1	1	1	1
	242	3025Q013	RING, O	2	2	2	2	2	2
	243	3025S012	FASTENER,QUICK	1	1	1	1	1	1
	244	3025S013	FASTENER,QUICK	1	1	1	1	1	1

Outdoor Unit (HWS-P805HR-E, P1105HR-E)



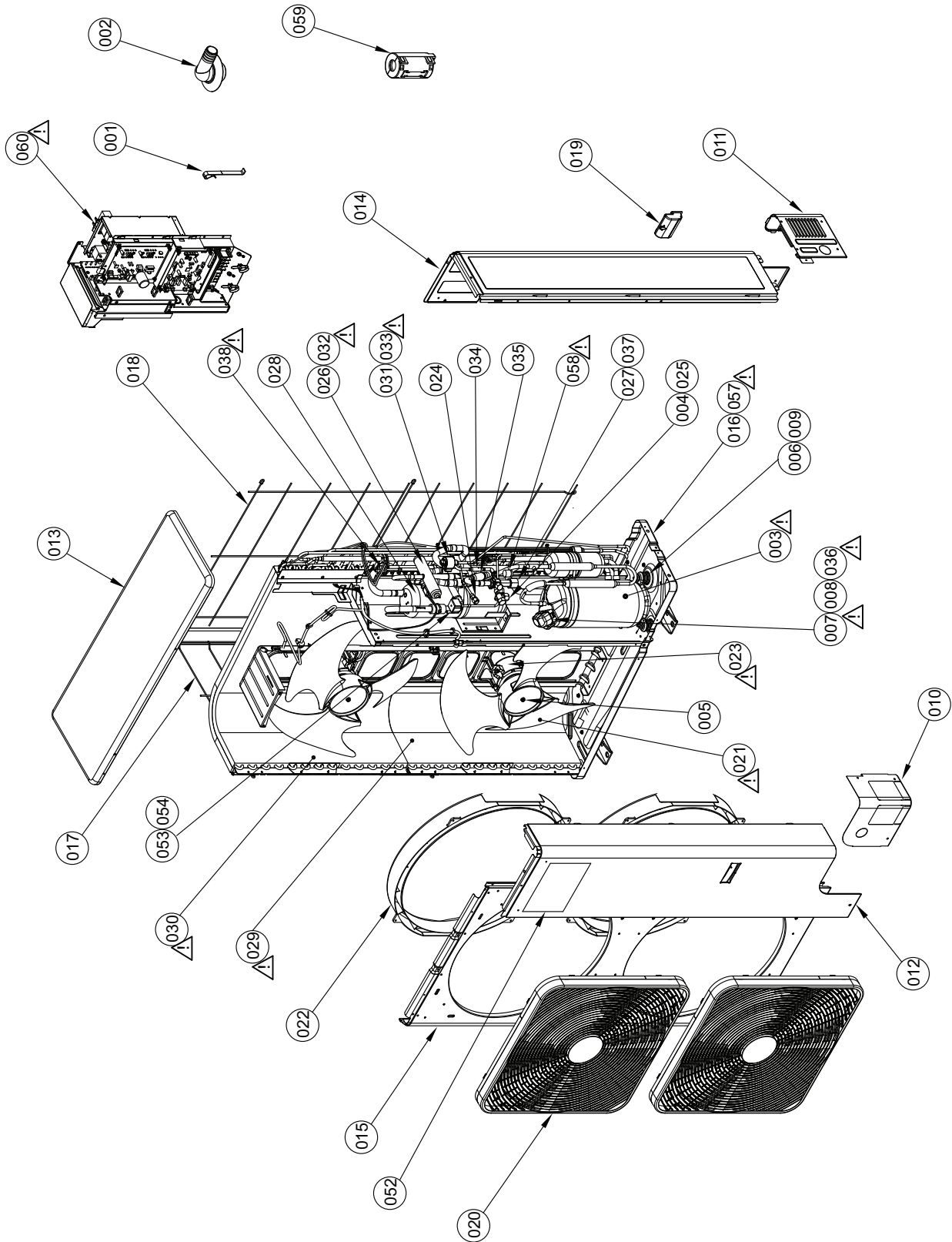
Safety ⚠	Ref. No.	Part No.	Description	Number of pieces per unit	
				HWS-P805HR-E	HWS-P1105HR-E
	001	43F19904	HOLDER, SENSOR (TS)	3	3
	002	43F32441	NIPPLE, DRAIN	1	1
⚠	003	43041794	COMPRESSOR, DA422A3F-25M	1	1
	004	43F47246	BONNET, 3/8 IN	1	1
	005	43F47669	NUT, FLANGE	2	2
	006	43049739	CUSHION, RUBBER	3	3
⚠	007	43F50407	THERMOSTAT, BIMETAL	1	1
	008	43F63317	HOLDER, THERMOSTAT	1	1
	009	43F97212	NUT	3	3
	010	43100437	PANEL, FRONT, PIPING	1	1
	011	43100438	PANEL, BACK, PIPING	1	1
	012	43100439	PANEL, FRONT	1	1
	013	43100440	PLATE, ROOF	1	1
	014	43100441	PANEL, SIDE	1	1
	015	43100442	PANEL, AIR OUTLET	1	1
	016	37500804	BASE ASSY	1	1
	017	43107274	GUARD, FIN, SIDE	1	1
	018	43107275	GUARD, FIN, BACK	1	1
	019	43107276	HANGER	3	3
	020	43119540	GUARD, FAN ASSY	2	2
⚠	021	43120244	FAN, PROPELLER, PB521	2	2
	022	43122113	BELL MOUTH	2	2
⚠	023	4312C100	MOTOR, FAN, ICF-280-A100-1(A)	2	2
	024	43146676	JOINT, CHECK	1	1
	025	4314N092	VALVE, PACKED, 9.52	1	1
	026	37546878	VALVE, 4-WAY, STF-H0404	1	1
	027	43146724	VALVE, BALL, SBV-JA5GTC-1, R0HS	1	1
	028	43148170	ACCUMULATOR ASS'Y	1	1
	029	37546876	CONDENSER ASSY, DOWN	1	1
	030	37546877	CONDENSER ASSY, UP	1	1
	031	4314N023	VALVE, PLUS, MODULAING, UKV-25D100	1	1
⚠	032	37547768	COIL, VLVE, 4WAY, STF-H01AP1880A1	1	1
⚠	033	4314N025	COIL, PMV, UKV-A038	1	1
	034	4314Q031	STRAINER	1	1
	035	4314Q032	STRAINER	1	1
⚠	036	43160591	LEAD ASSY, COMPRESSOR	1	1
	037	43194029	BONNET, 5/8 IN	1	1
⚠	038	37551741	SWITCH ASSY, PRESSURE ACB-4UB154W	1	1
	052	37517891	MARK, TOSHIBA FOR ESTIA	1	1
⚠	053	4314N038	COIL, SOLENOID, AC220-240 50HZ	1	1
	054	43146711	VALVE, 2WAY	1	1
⚠	055	43160571	FUSE, HOLDER, 15A, 250V	2	2
⚠	056	43F6A156	FUSE(ET), 3.15A, AC250V	2	2
⚠	057	37545716	HEATER ASSY	1	1
⚠	058	37550762	SENSOR ASSY, PRESSURE	1	1

Inverter Assembly (HWS-P805HR-E, P1105HR-E)



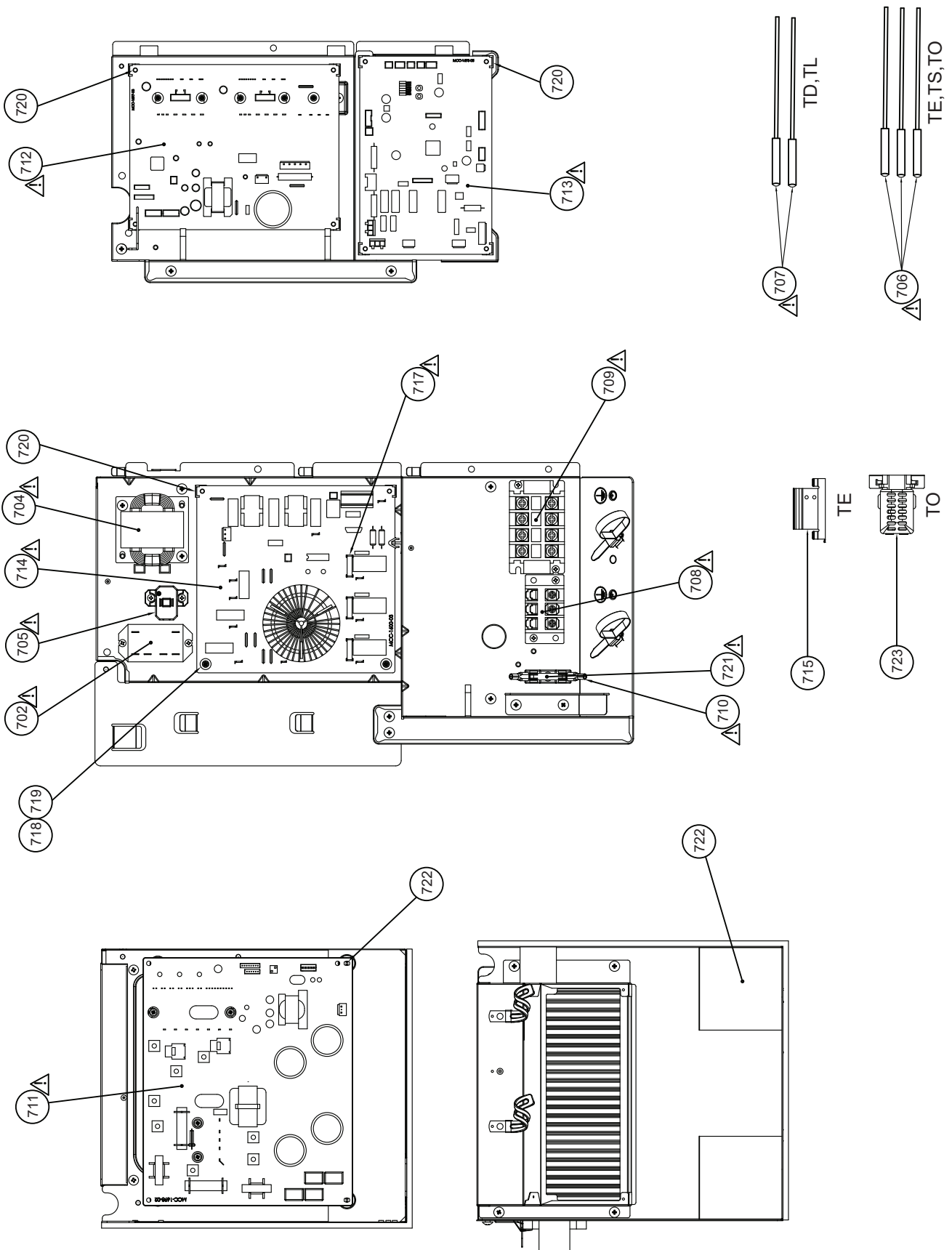
Safety ⚠	Ref. No.	Part No.	Description	Number of pieces per unit	
				HWS-P805HR-E	HWS-P1105HR-E
⚠	701	43050425	SENSOR ASSY, SERVICE	3	3
	702	43F63325	HOLDER, SENSOR (TE)	1	1
⚠	703	43150319	SENSOR ASSY, SERVICE	2	2
⚠	704	43158190	REACTOR	2	2
⚠	705	43160565	TERMINAL BLOCK, 3P, 20A	1	1
⚠	706	43160581	TERMINAL	1	1
⚠	707	43160589	FUSE	1	1
	708	43163055	HOLDER, SENSOR	1	1
	709	43163059	SPACER, BUSH	1	1
	710	43163060	SPACER, COLLAR	1	1
⚠	711	3026V074	PC BOARD ASSY, MCC-1571	1	1

Outdoor Unit (HWS-P805H8R-E, P1105H8R-E, P1405H8R-E)



Safety ⚠	Ref. No.	Part No.	Description	Number of pieces per unit		
				HWS-P805H8R-E	HWS-P1105H8R-E	HWS-P1405H8R-E
	001	43F19904	HOLDER, SENSOR (TS)	3	3	3
	002	43F32441	NIPPLE, DRAIN	1	1	1
⚠	003	4304C703	COMPRESSOR, DA422A3F-27M	1	1	1
	004	43F47401	BONNET, 3/8 IN	1	1	1
	005	43F47669	NUT, FLANGE	2	2	2
	006	43049739	CUSHION, RUBBER	3	3	3
⚠	007	43F50407	THERMOSTAT,BIMETAL	1	1	1
	008	43F63317	THERMOSTAT,HOLDER	1	1	1
	009	43F97212	NUT	3	3	3
	010	43100437	PANEL, FRONT, PIPING	1	1	1
	011	43100438	PANEL, BACK, PIPING	1	1	1
	012	43100439	PANEL, FRONT	1	1	1
	013	43100440	PLATE, ROOF	1	1	1
	014	43100470	PANEL, SIDE	1	1	1
	015	43100442	PANEL, AIR OUTLET	1	1	1
	016	37500804	BASE ASSY	1	1	1
	017	43107274	GUARD, FIN, SIDE	1	1	1
	018	43107275	GUARD, FIN, BACK	1	1	1
	019	43107276	HANGER	3	3	3
	020	43119540	GUARD, FAN ASSY	2	2	2
⚠	021	43120244	FAN, PROPELLER, PB521	2	2	2
	022	43122113	BELL MOUTH	2	2	2
⚠	023	4312C100	MOTOR, FAN, ICF-280-A100-1(A)	2	2	2
	024	43146676	JOINT,CHECK	1	1	1
	025	4314N092	VALVE, PACKED, 9.52	1	1	1
	026	37546878	VALVE, 4-WAY, STF-H0404	1	1	1
	027	43146724	VALVE, BALL, SBV-JA5GTC-1, R0HS	1	1	1
	028	43148170	ACCUMULATOR,2.5L	1	1	1
⚠	029	37546876	CONDENSER ASSY, DOWN	1	1	1
⚠	030	37546889	CONDENSER ASSY, UP	1	1	1
	031	4314N023	VALVE, PLUS, MODULAING, UKV-25D100	1	1	1
⚠	032	4314N080	COIL, SOLENOID, STF-H01AJ1736A1	1	1	1
⚠	033	4314N025	COIL, PMV, UKV-A038	1	1	1
	034	4314Q031	STRAINER	1	1	1
	035	4314Q032	STRAINER	1	1	1
⚠	036	43160658	LEAD ASSY, COMPRESSOR	1	1	1
	037	43147194	BONNET, 5/8 IN	1	1	1
⚠	038	37551741	SWITCH ASSY, PRESSURE ACB-4UB154W	1	1	1
	052	37517891	MARK, TOSHIBA FOR ESTIA	1	1	1
	053	4314N187	COIL, SOLENOID, TEV-SMOAJ2170A1	1	1	1
	054	4314N188	VALVE, 2WAY, TEV-S1220DQ50	1	1	1
⚠	057	37545716	HEATER ASSY	1	1	1
⚠	058	37550762	SENSOR ASSY, PRESSURE	1	1	1
	059	43F60029	FILTER,NOISE	1	1	1
⚠	060	43158227	REACTOR	1	1	1

Inverter Assembly (HWS-P805H8R-E, P1105H8R-E, P1405H8R-E)



Safety ⚠	Ref. No.	Part No.	Description	Number of pieces per unit		
				HWS-P805H8R-E	HWS-P1105H8R-E	HWS-P1405H8R-E
⚠	702	43154177	RELAY	1	1	1
⚠	704	43158207	REACTOR	1	1	1
⚠	705	43153007	THERMISTOR, PTC	1	1	1
⚠	706	43050425	SENSOR ASSY, SERVICE	1	1	1
⚠	707	43150319	SENSOR ASSY, SERVICE	1	1	1
⚠	708	43160565	TERMINAL BLOCK, 3P, 20A	1	1	1
⚠	709	43160579	TERMINAL	1	1	1
⚠	710	43160667	FUSE BLOCK	1	1	1
⚠	711	3026V076	PC BOARD ASSY,MCC-1698,COMP	1	1	1
⚠	712	3026V077	PC BOARD ASSY,MCC-1597,FAN	1	1	1
⚠	713	3026V078	PC BOARD ASSY, MCC-1675, CDB	1	1	1
⚠	714	4316V620	PC BOARD ASSY, MCC-1600, N/F	1	1	1
	715	43F63325	HOLDER, SENSOR (TE)	1	1	1
⚠	717	43160590	FUSE	2	2	2
	718	43282001	BUSHING	2	2	2
	719	43183020	COLLAR	3	3	3
	720	43F63248	SUPPORTER, ASSY	3	3	3
⚠	721	43060700	FUSE, 10A, 250V	2	2	2
	722	3759V702	SPACER, ASSY	3	3	3
	723	43163055	HOLDER, SENSOR (TO)	1	1	1