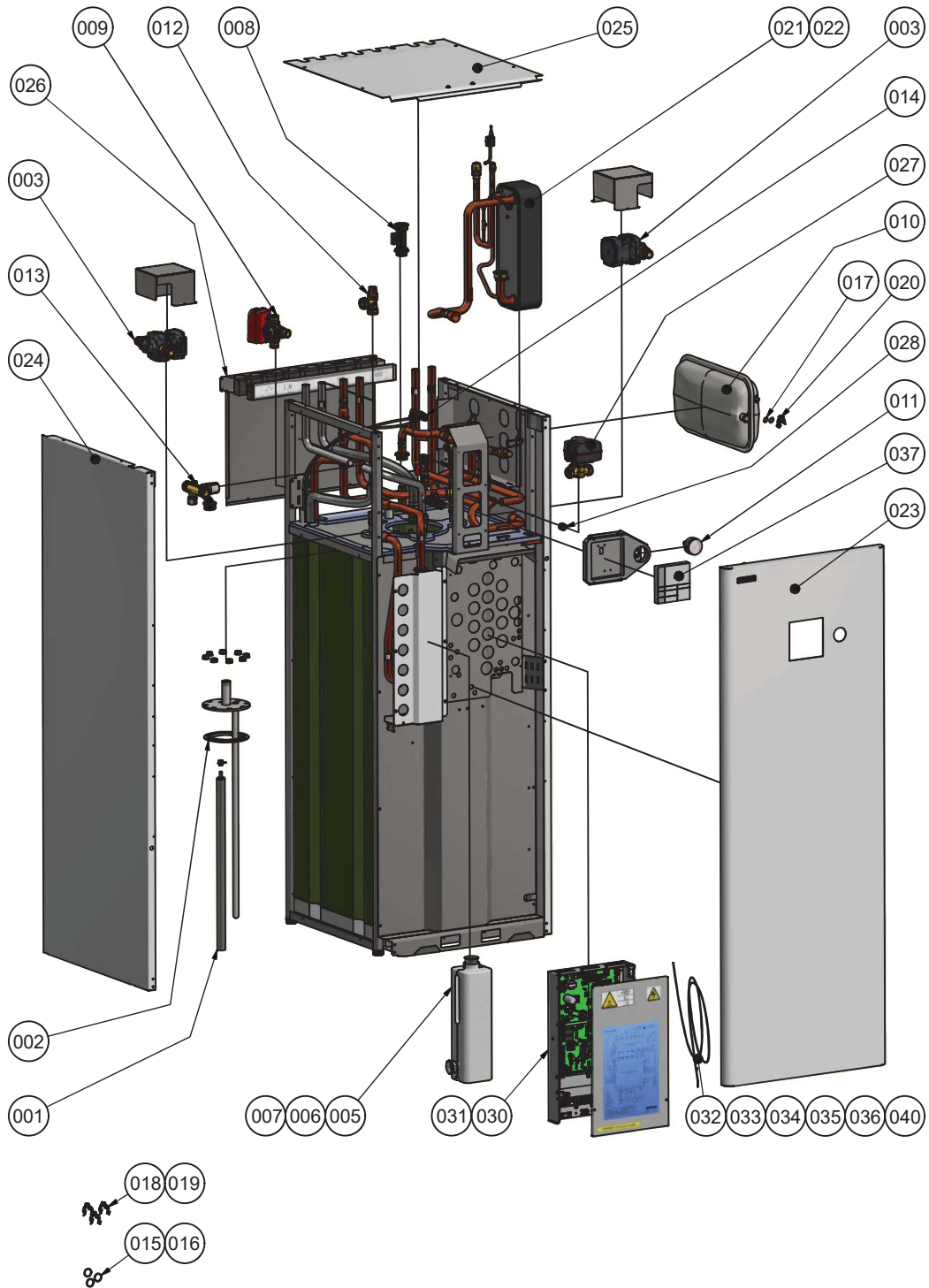


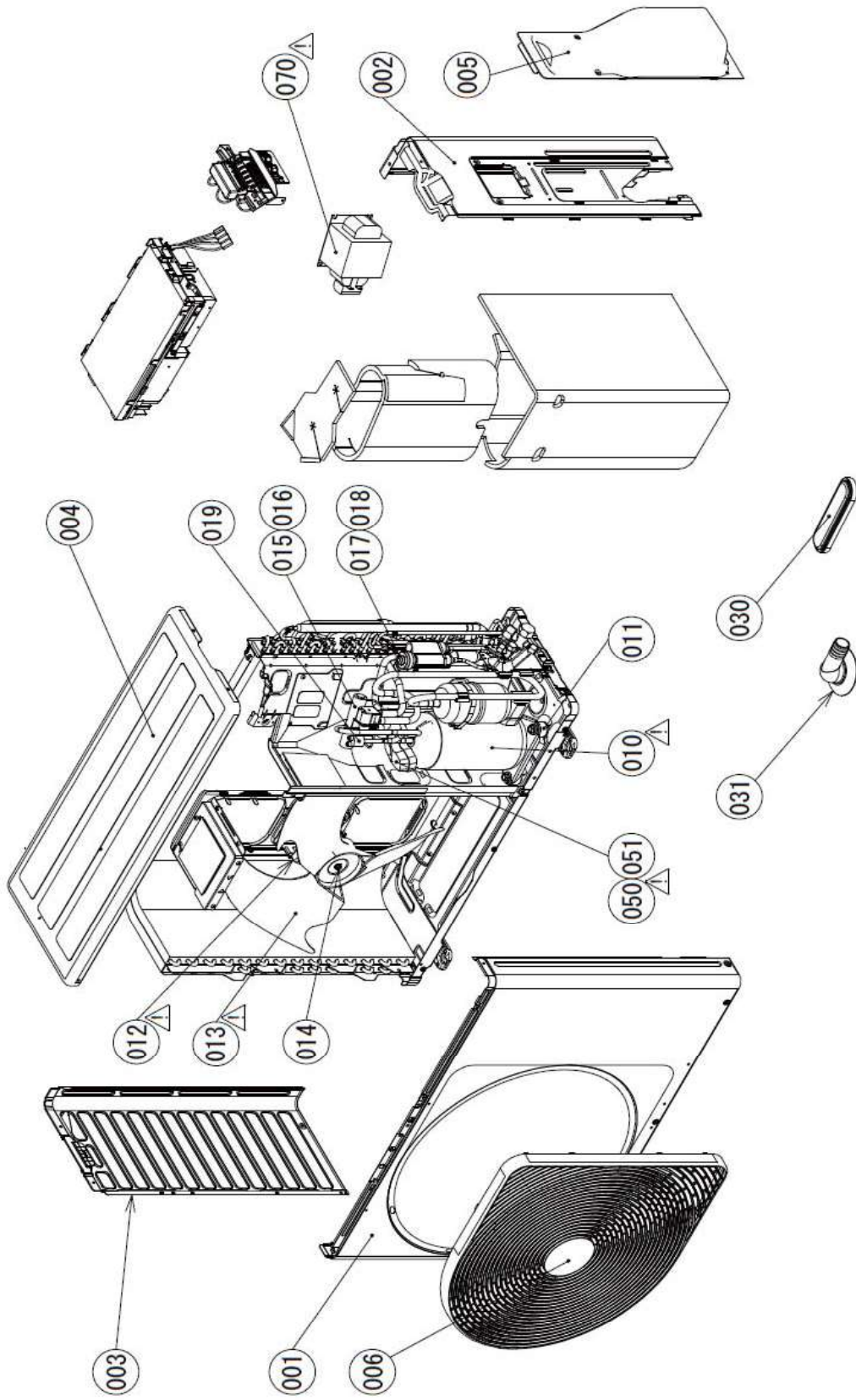
13 Part exploded view, part list

Hydro Unit

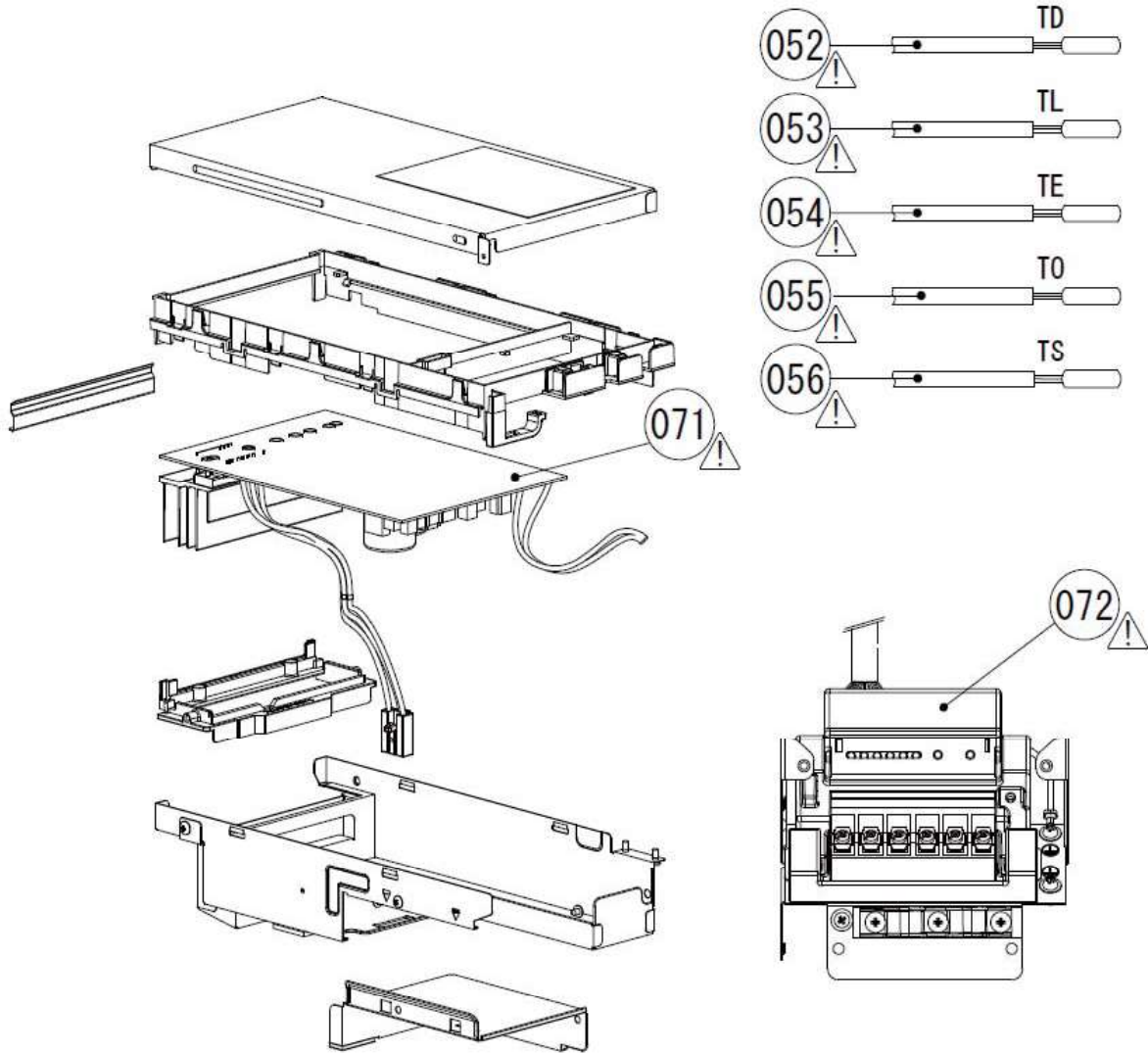


Safety ⚠	Location No.	Part No.	Description	Number of pieces per unit(HWT-*)							
				601F21 SM3W- E/TR	601F21 ST6W- E/TR	1101F21 SM3W- E/TR	1101F21 MM3W- E/TR	1101F21 ST6W- E/TR	1101F21 MT6W- E/TR	1101F21 ST9W- E/TR	1101F21 MT9W- E/TR
	001	43D9V001	MAGNESIUM ANODE	1	1	1	1	1	1	1	1
	002	43D81001	Gasket set water cyl. Inspec.	1	1	1	1	1	1	1	1
⚠	003	43D77001	Circulation pump	1	1	1	2	1	2	1	2
	004	-	unused number	-	-	-	-	-	-	-	-
⚠	005	43D57001	Flow heater sub assembly 3 kW	1		1	1				
⚠	006	43D57002	Flow heater sub assembly 6 kW		1			1	1		
⚠	007	43D57003	Flow heater sub assembly 9 kW							1	1
	008	43D79001	Flow sensor	1	1	1	1	1	1	1	1
	009	43D79002	3-way valve	1	1	1	1	1	1	1	1
	010	43D48001	Expansion vessel	1	1	1	1	1	1	1	1
	011	43D79003	Pressure gauge	1	1	1	1	1	1	1	1
	012	43D79004	Pressure relief valve	1	1	1	1	1	1	1	1
	013	43D79005	Safety valve DHW	1	1	1	1	1	1	1	1
	014	43D79006	Air vent valve	2	2	2	2	2	2	2	2
	015	43D83001	O-ring ø22 Tube	20	20	20	30	20	30	20	30
	016	43D83002	O-ring ø26 flow-sensor & heater	4	4	4	4	4	4	4	4
	017	43D83003	O-ring Expansion vessel	2	2	2	2	2	2	2	2
	018	43D79007	clip ø22 Tube	10	10	10	15	10	15	10	15
	019	43D79008	clip ø26 flow-sensor & heater	4	4	4	4	4	4	4	4
	020	43D79009	clip Expansion vessel	1	1	1	1	1	1	1	1
	021	43D44001	BPHE + Low press. sensor.Small	1	1						
	022	43D44002	BPHE + Low press. sensor.Large			1	1	1	1	1	1
	023	43D00001	Front cabinet	1	1	1	1	1	1	1	1
	024	43D00002	Side cabinet	1	1	1	1	1	1	1	1
	025	43D00003	Top cabinet	1	1	1	1	1	1	1	1
	026	43D00004	Back cabinet	1	1	1	1	1	1	1	1
	027	43D79010	Mixing valve (for 2 ZONE)				1		1		1
	028	43D79011	Check valve (for 2 ZONE)				1		1		1
	029	-	unused number	-	-	-	-	-	-	-	-
⚠	030	43P69003	Interface PCB (MCC-1753)	1	1	1	1	1	1	1	1
⚠	031	43P69004	Sub PCB (MCC-1755)	1	1	1	1	1	1	1	1
⚠	032	43D50001	TWO sensor (Red)	1	1	1	1	1	1	1	1
⚠	033	43D50002	THO sensor (Yellow)	1	1	1	1	1	1	1	1
⚠	034	43D50003	TTW sensor (Black)	1	1	1	1	1	1	1	1
⚠	035	43D50004	TWI sensor (Blue)	1	1	1	1	1	1	1	1
⚠	036	43D50005	TC sensor (Black)	1	1	1	1	1	1	1	1
⚠	037	43P66001	Remote controller (RC)	1	1	1	1	1	1	1	1
	038	-	unused number	-	-	-	-	-	-	-	-
⚠	039	43D60001	Connection cable between E-Box & RC	1	1	1	1	1	1	1	1
⚠	040	43D50006	TFI sensor (for 2 ZONE)				1		1		1

Outdoor Unit (HWT-401HW-E(TR), HWT-601HW-E(TR))

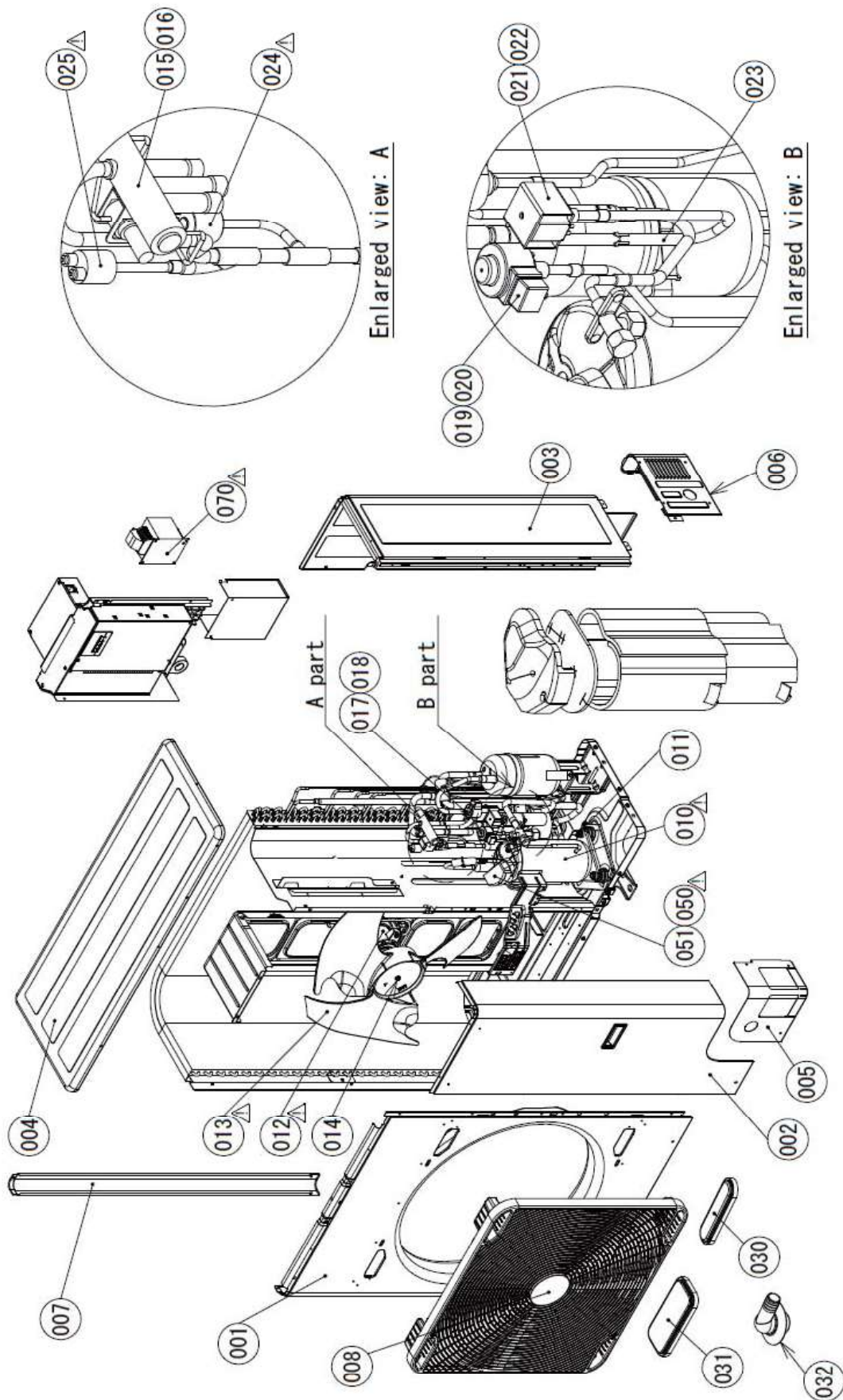


Inverter Assembly (HWT-401HW-E(TR), HWT-601HW-E(TR))

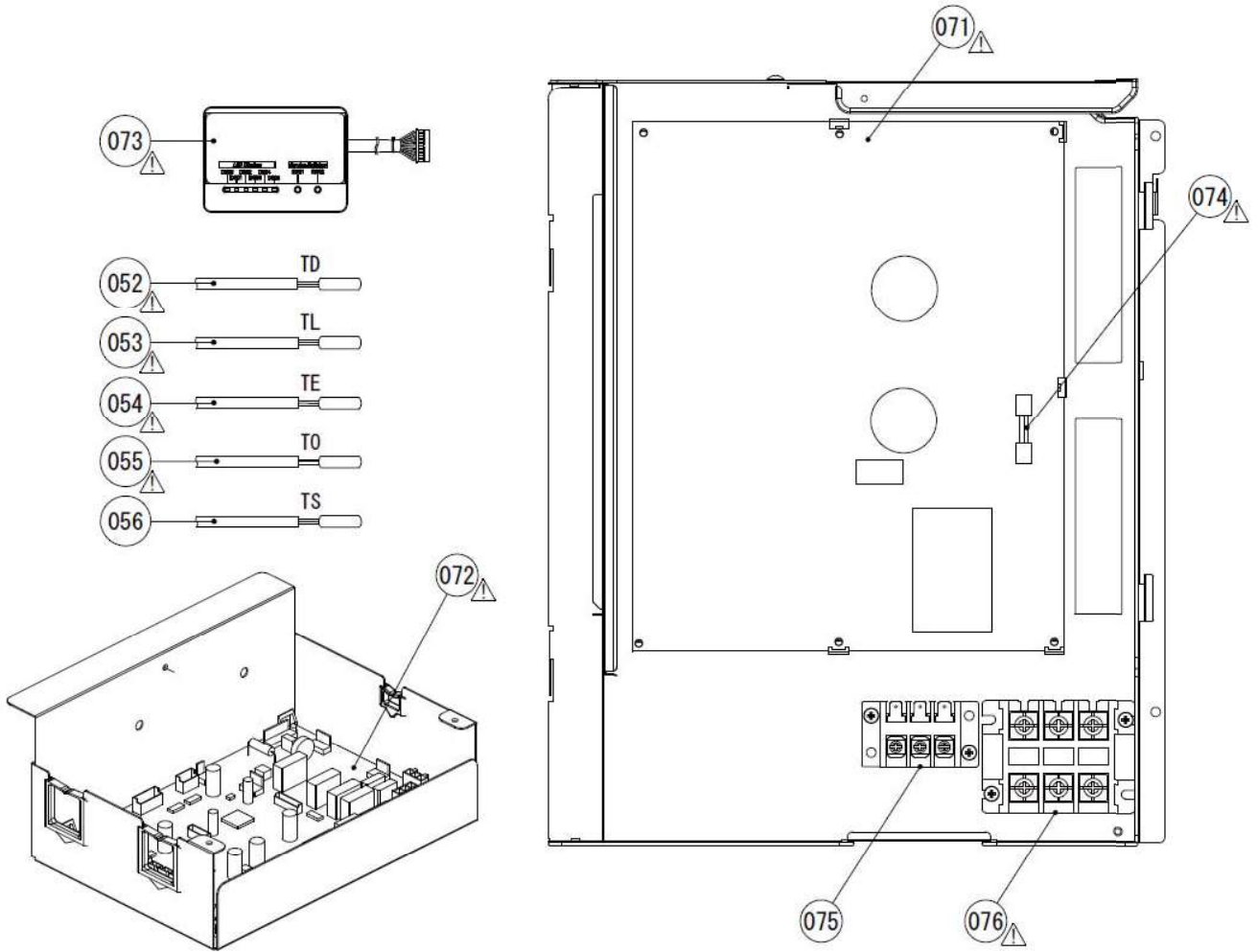


Safety ⚠	Location No.	Part No.	Description	Number of pieces per unit			
				HWT- 401HW-E	HWT- 601HW-E	HWT- 401HW-TR	HWT- 601HW-TR
	001	43P00012	PANEL, AIR OUTLET, ASSY	1	1	1	1
	002	43P00013	PANEL, SIDE, RIGHT, ASSY	1	1	1	1
	003	43P00014	PANEL, SIDE, LEFT, ASSY	1	1	1	1
	004	43P00015	PANEL, ROOF, ASSY	1	1	1	1
	005	43P00016	COVER, PACKED, VALVE	1	1	1	1
	006	43P19003	GUARD, FAN	1	1	1	1
⚠	010	43P42004	COMPRESSOR, ASSY	1	1	1	1
⚠	011	43P42003	BOLT, COMPRESSOR	3	3	3	3
⚠	012	43P21002	MOTOR, FAN, ICF-140-A43-1	1	1	1	1
⚠	013	43P20002	FAN, PROPELLER, PJ441-E	1	1	1	1
	014	43P97001	NUT, FLANGE	1	1	1	1
	015	43P46011	VALVE, 4WAY, DSF-9C-R410A	1	1	1	1
	016	43P46010	COIL, VALVE, 4WAY, DXQ-1233	1	1	1	1
	017	43P46008	VALVE, PMV, DPF1.5C-0.4	1	1	1	1
	018	43P46009	COIL, PMV, PQ-M10012-000313	1	1	1	1
⚠	019	43P51004	SWITCH, PRESSURE, ACB-4UB154W	1	1	1	1
	030	43P79008	CAP, WATER-PROOF	2	2	2	2
	031	43P19002	NIPPLE, DRAIN	1	1	1	1
⚠	050	43P50007	THERMOSTAT, BIMETAL	1	1	1	1
	051	43P42002	HOLDER, THERMO	1	1	1	1
⚠	052	43P50012	SENSOR, TD	1	1	1	1
⚠	053	43P50013	SENSOR, TL	1	1	1	1
⚠	054	43P50010	SENSOR, TE	1	1	1	1
⚠	055	43P50004	SENSOR, TO	1	1	1	1
⚠	056	43P50011	SENSOR, TS	1	1	1	1
⚠	070	43P58002	REACTOR, CH-102	1	1	1	1
⚠	071	43P69001	PC BOARD ASSY, MCC1768	1	1	1	1
⚠	072	43P69002	PC BOARD ASSY, MCC1646, TERMINAL BLOCK	1	1	1	1

Outdoor Unit
(HWT-801HW-E(TR), HWT-1101HW-E(TR), HWT-801HRW-E, HWT-1101HRW-E)



Inverter Assembly
(HWT-801HW-E(TR), HWT-1101HW-E(TR), HWT-801HRW-E, HWT-1101HRW-E)



Safety ⚠	Location No.	Part No.	Description	Number of pieces per unit					
				HWT- 801HW -E	HWT- 1101HW- E	HWT- 801HRW -E	HWT- 1101HRW -E	HWT- 801HW -TR	HWT- 1101HW -TR
	001	43P00005	PANEL, AIR OUTLET	1	1	1	1	1	1
	002	43P00006	PANEL, FRONT, ASSY	1	1	1	1	1	1
	003	43P00007	PANEL, SIDE, RIGHT, ASSY	1	1	1	1	1	1
	004	43P00008	PANEL, ROOF, ASSY	1	1	1	1	1	1
	005	43P00009	PANEL, FRONT, PIPING	1	1	1	1	1	1
	006	43P00010	PANEL, BACK, PIPING, ASSY	1	1	1	1	1	1
	007	43P00011	STAY	1	1	1	1	1	1
	008	43P09001	GUARD, FAN	1	1	1	1	1	1
⚠	010	43P42005	COMPRESSOR, ASSY	1	1	1	1	1	1
	011	43P42001	BOLT, COMPRESSOR	3	3	3	3	3	3
⚠	012	43P21001	MOTOR, FAN, ICF-280-A60-1	1	1	1	1	1	1
⚠	013	43P20001	FAN, PROPELLER, PS561-E	1	1	1	1	1	1
	014	43P97001	NUT, FLANGE	1	1	1	1	1	1
	015	43P46011	VALVE, 4WAY, DSF-9C-R410A	1	1	1	1	1	1
	016	43P46012	COIL, VALVE, 4WAY, DXQ-1604	1	1	1	1	1	1
	017	43P46001	VALVE, PMV, UKV-18D301	1	1	1	1	1	1
	018	43P46002	COIL, PMV, UKV-A040	1	1	1	1	1	1
	019	43P46003	VALVE, PMV, FAM-BD14TF	1	1	1	1	1	1
	020	43P46004	COIL, PMV, FAM-12TF-1	1	1	1	1	1	1
	021	43P46005	VALVE, 2WAY, TEV-S1220DQ50	1	1	1	1	1	1
	022	43P46007	COIL, VALVE, 2WAY, TEV-SM0AG2260A1	1	1	1	1	1	1
	023	43P46006	VALVE, CHECK	1	1	1	1	1	1
⚠	024	43P51003	SENSOR, PRESSURE, NSK-BH042J-873	1	1	1	1	1	1
⚠	025	43P51001	SWITCH, PRESSURE, ACB-4UB231W	1	1	1	1	1	1
	030	43P79008	CAP, WATERPROOF	1	1	1	1	1	1
	031	43P79009	CAP, WATERPROOF	4	4	4	4	4	4
	032	43P19002	NIPPLE, DRAIN	1	1	1	1	1	1
⚠	050	43P50007	THERMOSTAT, BIMETAL	1	1	1	1	1	1
	051	43P42002	HOLDER, THERMO	1	1	1	1	1	1
⚠	052	43P50002	SENSOR, TD	1	1	1	1	1	1
⚠	053	43P50001	SENSOR, TL	1	1	1	1	1	1
⚠	054	43P50003	SENSOR, TE	1	1	1	1	1	1
⚠	055	43P50004	SENSOR, TO	1	1	1	1	1	1
⚠	056	43P50005	SENSOR, TS	1	1	1	1	1	1
⚠	070	43P58001	REACTOR, CH-101	1	1	1	1	1	1
⚠	071	43P69005	PC BOARD ASSY, MCC1705	1	1	1	1	1	1
⚠	072	43P69006	PC BOARD ASSY, MCC1675	1	1	1	1	1	1
⚠	073	43P69007	PC BOARD ASSY, MCC1646	1	1	1	1	1	1
⚠	074	43P60001	FUSE, 10A	1	1	1	1	1	1
⚠	075	43P60002	TERMINAL BLOCK, 3P, 20A	1	1	1	1	1	1
⚠	076	43P60003	TERMINAL BLOCK, 3P, 60A	1	1	1	1	1	1