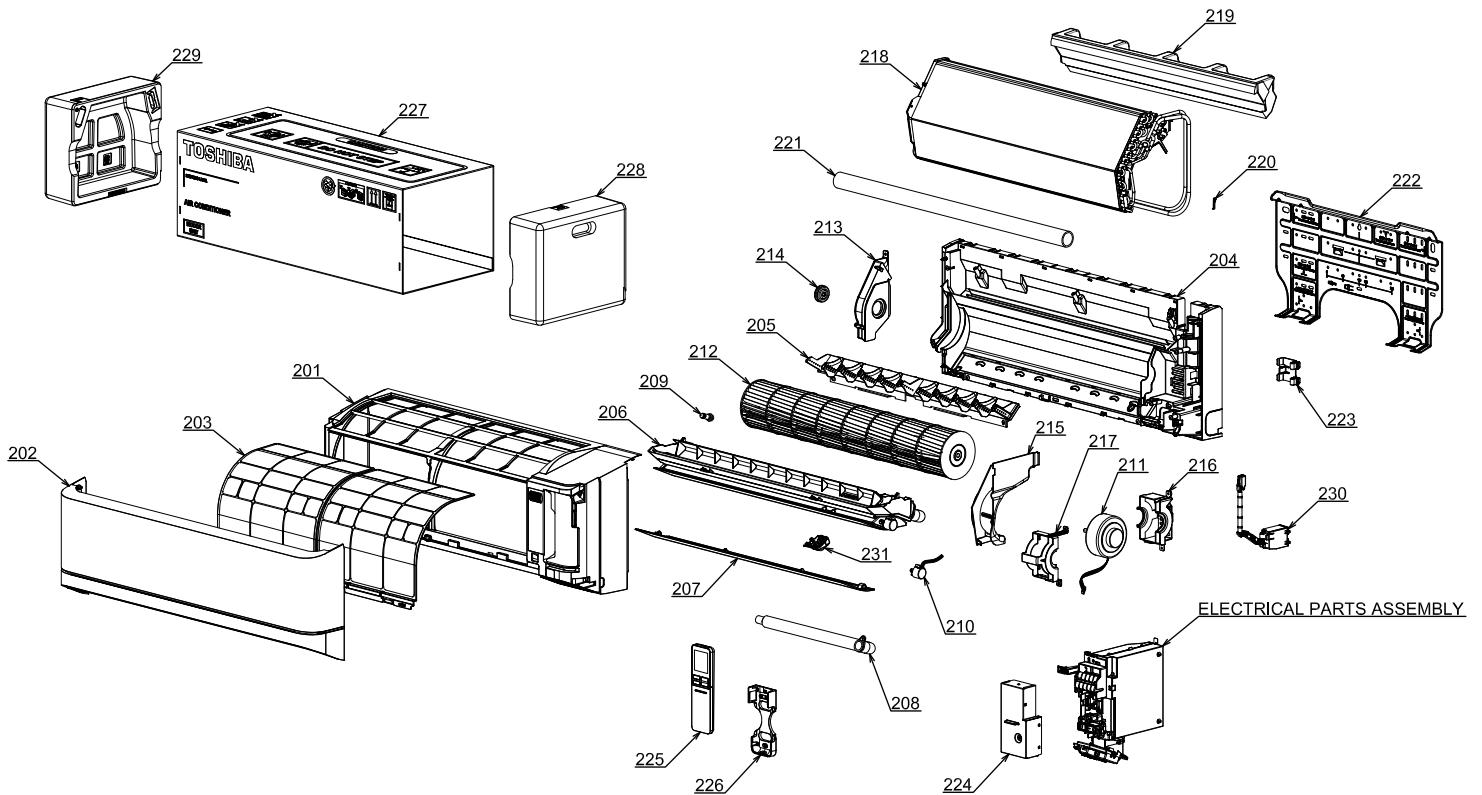


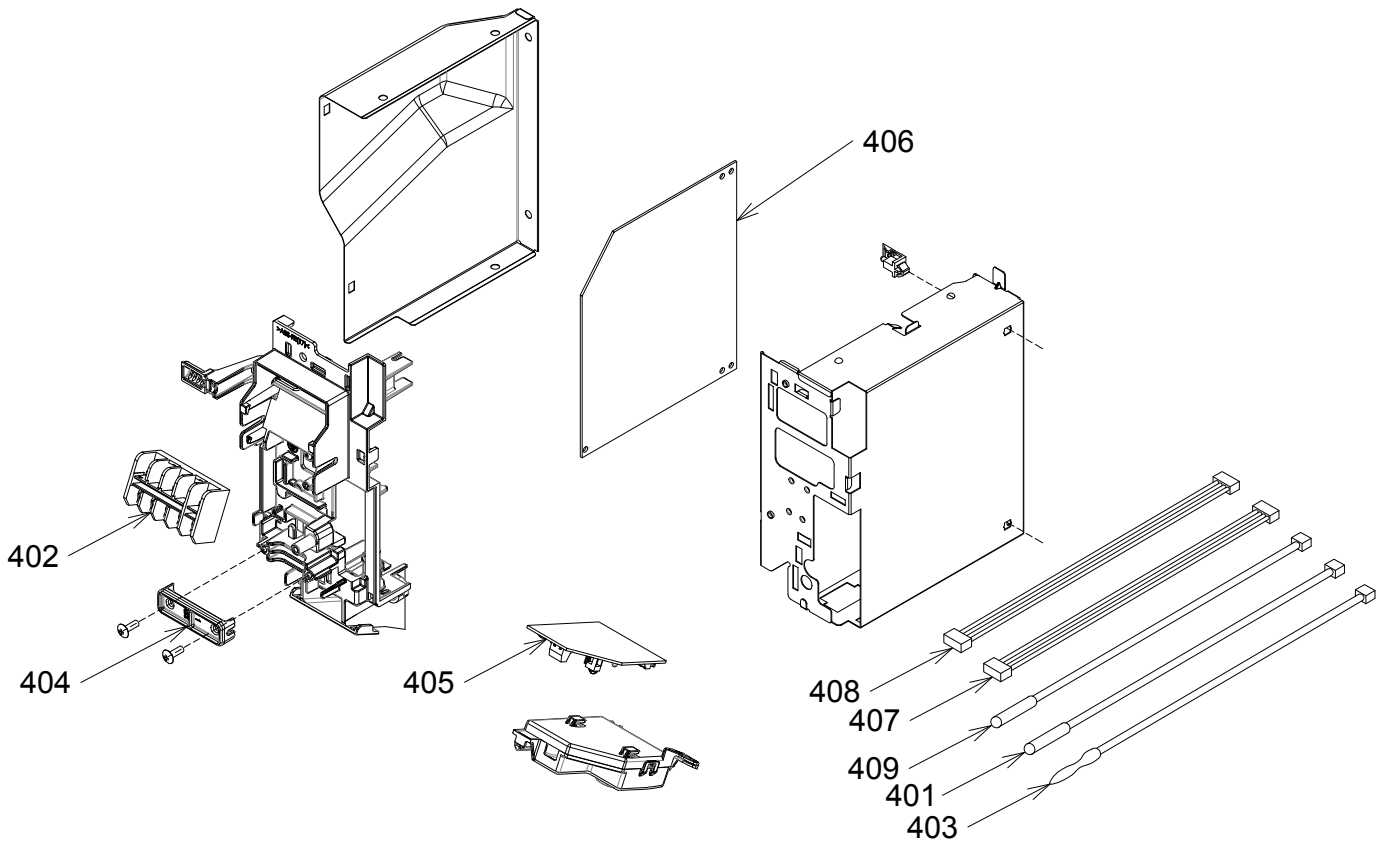
### 13. EXPLODED VIEWS AND PARTS LIST

#### 13-1. Indoor Unit



Location No.	Part No.	Description	Location No.	Part No.	Description
201	43T00757	FRONT PANEL ASSY	218	43T44650	REFRIGERATION CYCLE ASSY (FOR RAS-B16J2KVRG-E)
202	43T09565	GRILLE OF AIR INLET ASSY	218	43T44661	REFRIGERATION CYCLE ASSY (FOR RAS-B13J2KVRG-E)
203	43T80349	AIR FILTER	219	43T39370	EVAPORATOR HINS SEAL (FOR RAS-B10J2KVRG-E)
204	43T03398	BACK BODY ASSY	220	43T19333	HOLDER, SENSOR
205	43T22343	VERTICAL LOUVER ASSY	221	43T49359	PIPE, SHIELD
206	43T72347	DRAIN PAN ASSY	222	43T82332	INSTALLATION PLATE
207	43T22345	HORIZONTAL LOUVER	223	43T49368	PIPE HOLDER
208	43T70321	DRAIN HOSE	224	43T62360	TERMINAL COVER ASSY
209	43T79322	DRAIN CAP	225	43T66393	WIRELESS REMOCO
210	43T21478	MOTOR; STEPPING	226	43T83305	HOLDER, REMOTE CONTROL
211	43T21471	MOTOR FAN	227	43T91373	PACKING SLEEVE
212	43T20344	CROSS FLOW FAN ASSY	228	43T91374	PACKING CUSHION RIGHT
213	43T39365	BASE BEARING	229	43T91375	PACKING CUSHION LEFT
214	43T22312	BEARING ASSY, MOLD	230	43T80353	HIGH VOLTAGE UNIT ASSY
215	43T39364	MOTOR COVER	231	43T80354	IONIZER UNIT COVER
216	43T39368	MOTOR BAND BACK			
217	43T39369	MOTOR BAND FRONT			
218	43T44649	REFRIGERATION CYCLE ASSY (FOR RAS-B10J2KVRG-E)			

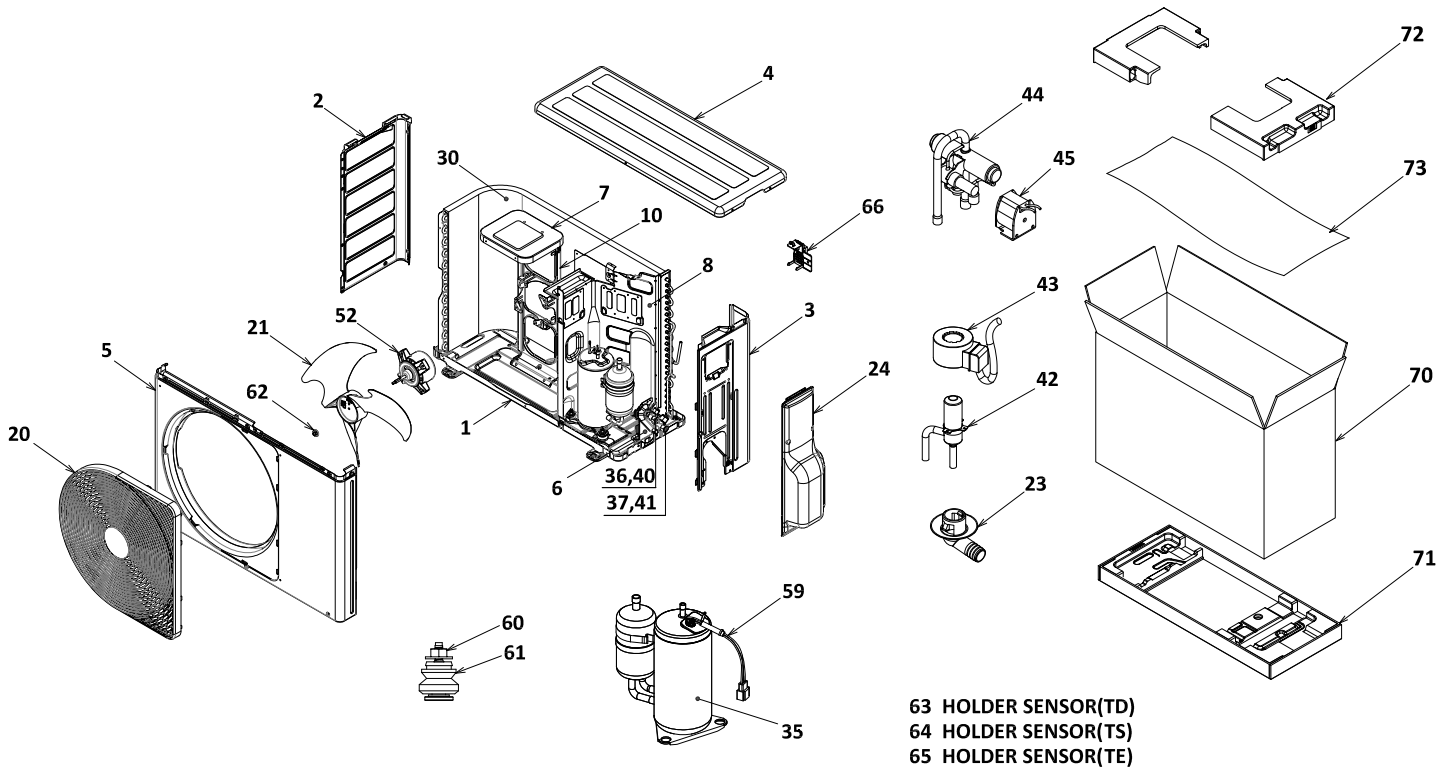
13-2. Indoor Unit (Part-E)



Location No.	Part No.	Description	Location No.	Part No.	Description
401	43T69319	TEMPERATURE SENSOR	406	43T6W563	PC BOARD (FOR RAS-B13J2KVRG-E)
402	43T6V673	TERMINAL(5P-TF)	406	43T6W564	PC BOARD (FOR RAS-B16J2KVRG-E)
403	43T6V674	TEMPERATURE SENSOR	407	43T60502	HOUSING-WIFI
404	43T62340	CORD-CLAMP	408	43T60508	HOUSING-PUR-A
405	43T6W443	PC BOARD ASSY:WRS-LED	409	43T50306	TEMPERATURE SENSOR
406	43T6W562	PC BOARD (FOR RAS-B10J2KVRG-E)			

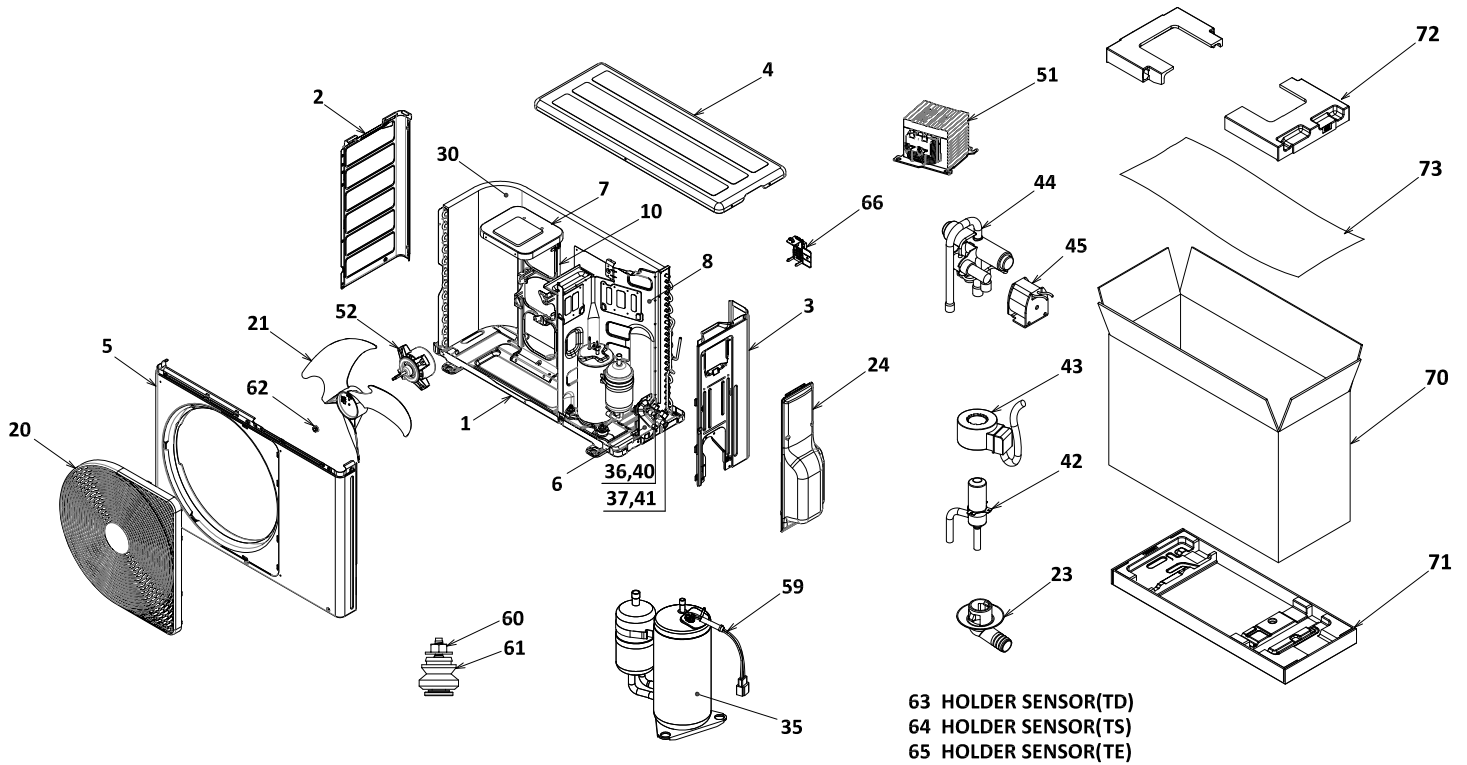
13-3. Outdoor Unit

RAS-10, 13J2AVRG-E



Location No.	Part No.	Description	Location No.	Part No.	Description
1	43T42327	BASE PLATE ASSEMBLY	36	43T47403	BONNET, 6.35 DIA
2	43T00459	LEFT CABINET	37	43T47404	BONNET, 9.52 DIA
3	43T00690	RIGHT CABINET ASSEMBLY	40	43T46435	VALVE; PACKED 6.35 DIA
4	43T00735	UPPER CABINET ASSEMBLY	41	43T46436	VALVE; PACKED 9.52 DIA
5	43T00737	FRONT CABINET ASSEMBLY	42	43T46469	BODY PMV
6	43T00448	FIXING PLATE VALVE	43	43T63360	COIL PMV
7	43T39333	MOTOR BASE CONNECTION PLATE	44	43T46367	4 WAY VALVE
8	43T04330	PARTITION ASSEMBLY (FOR RAS-13J2AVRG-E)	45	43T63327	COIL-4WAY
8	43T04340	PARTITION ASSEMBLY (FOR RAS-10J2AVRG-E)	52	43T21460	FAN MOTOR
10	43T39393	MOTOR BASE	59	43T60498	LEAD ASSY, COMPRESSOR
20	43T19364	FAN GUARD	60	43T97001	NUT
21	43T20319	PROPELLER FAN	61	43T49327	CUSHION,RUBBER
23	43T79305	DRAIN NIPPLE	62	43T47001	NUT FLANGE
24	43T00691	PACKED VALVE COVER ASSEMBLY	63	43T63317	HOLDER,SENSOR
30	43T43559	CONDENSER ASSEMBLY (FOR RAS-10J2AVRG-E)	64	43T63316	HOLDER,SENSOR
30	43T43560	CONDENSER ASSEMBLY (FOR RAS-13J2AVRG-E)	65	43T63318	HOLDER SENSOR
35	43T41521	COMPRESSOR	66	43T63319	HOLDER,SENSOR
			70	43T91312	CARTON BOX
			71	43T91309	ASM-FBBRD-UD
			72	43T91314	CUSHION-PKG-UPR
			73	43T91301	PE SHEET

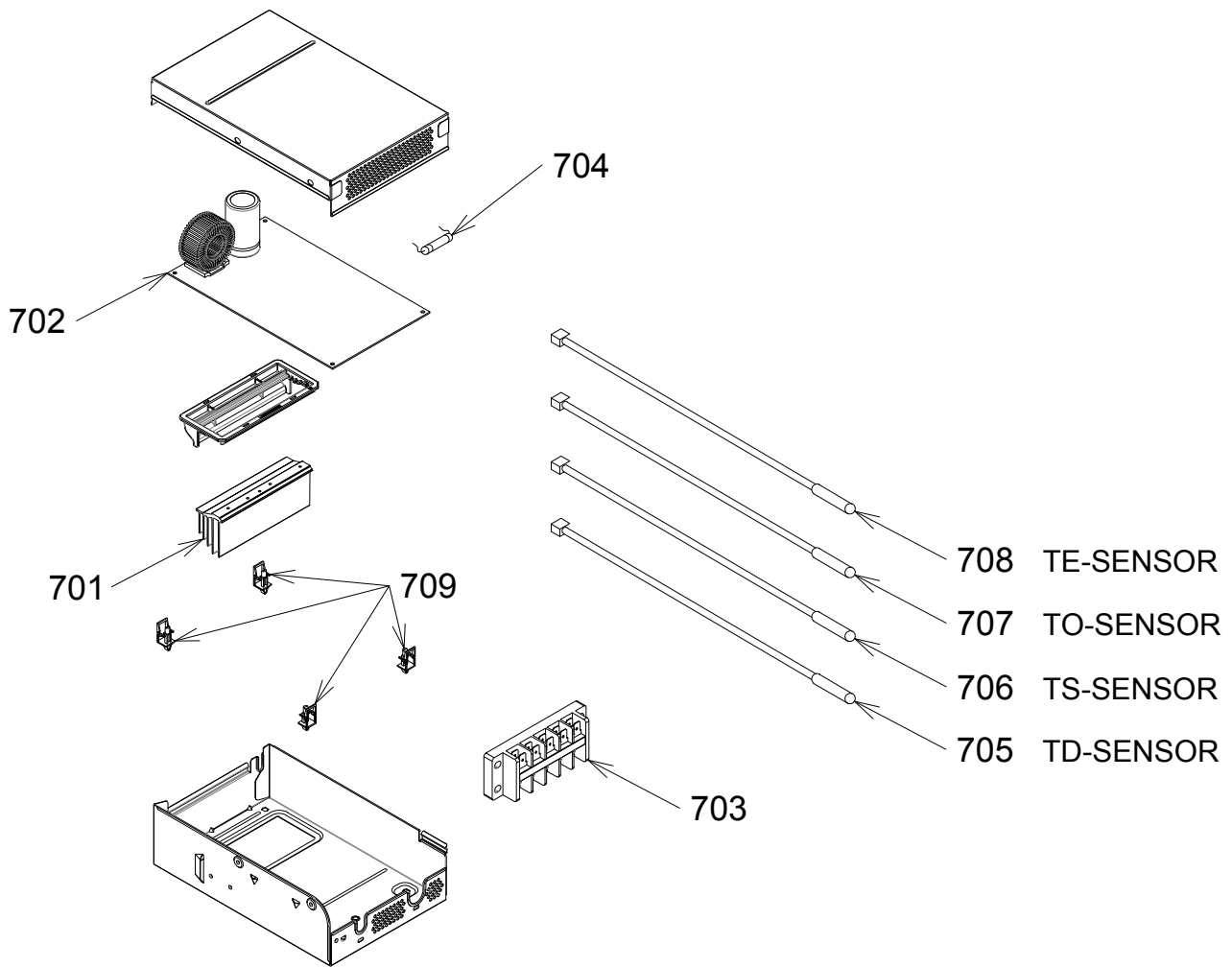
**13-4. Outdoor Unit**  
**RAS-16J2AVRG-E**



Location No.	Part No.	Description	Location No.	Part No.	Description
1	43T42327	BASE PLATE ASSEMBLY	42	43T46469	BODY PMV
2	43T00459	LEFT CABINET	43	43T63360	COIL PMV
3	43T00690	RIGHT CABINET ASSEMBLY	44	43T46470	4 WAY VALVE
4	43T00452	UPPER CABINET	45	43T63361	4 WAY VALVE COIL
5	43T00688	FRONT CABINET ASSEMBLY	51	43T58309	REACTOR
6	43T00448	FIXING PLATE VALVE	52	43T21460	FAN MOTOR
7	43T39333	MOTOR BASE CONNECTION PLATE	59	43T60494	LEAD ASSY, COMPRESSOR
8	43T04342	PARTITION ASSEMBLY	60	43T97001	NUT
10	43T39393	MOTOR BASE	61	43T49327	CUSHION,RUBBER
20	43T19364	FAN GUARD	62	43T47001	NUT FLANGE
21	43T20319	PROPELLER FAN	63	43T63317	HOLDER,SENSOR
23	43T79305	DRAIN NIPPLE	64	43T63316	HOLDER,SENSOR
24	43T00691	PACKED VALVE COVER ASSEMBLY	65	43T63318	HOLDER SENSOR
30	43T43545	CONDENSER ASSEMBLY	66	43T63319	HOLDER,SENSOR
35	43T41500	COMPRESSOR	70	43T91343	CARTON BOX
36	43T47403	BONNET, 6.35 DIA	71	43T91342	FIBERBOARD UNDER ASSEMBLY
37	43T47405	BONNET, 12.7 DIA	72	43T91314	CUSHION-PKG-UPR
40	43T46435	VALVE; PACKED 6.35 DIA	73	43T91301	PE SHEET
41	43T46461	VALVE; PACKED 12.7 DIA			

**13-5. Outdoor Unit (Part-E)**

**RAS-10, 13J2AVRG-E**

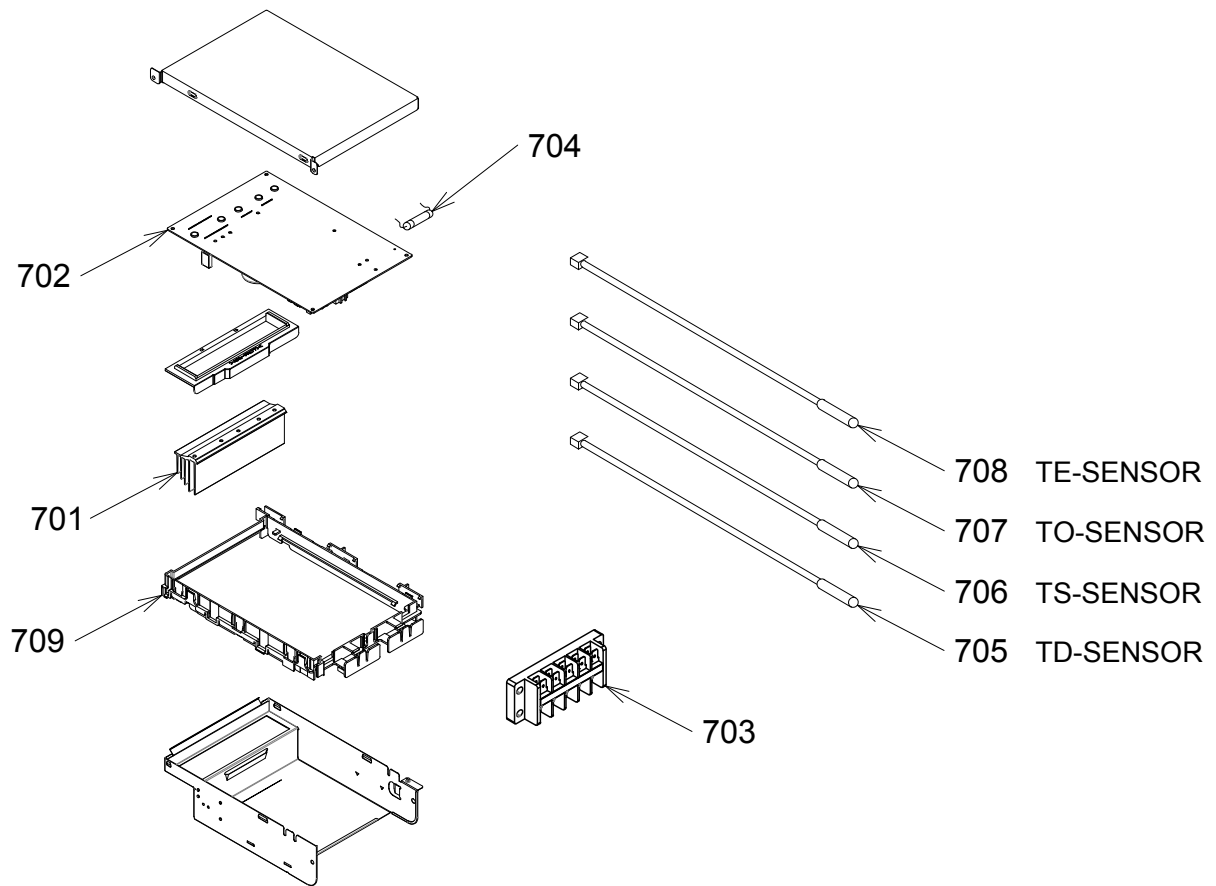


Location No.	Part No.	Description
701	43T67306	HEATSINK
702	43T6W560	PC BOARD (FOR RAS-10J2AVRG-E)
702	43T6W561	PC BOARD (FOR RAS-13J2AVRG-E)
703	43T60392	TERMINAL-5P
704	43T60459	FUSE

Location No.	Part No.	Description
705	43T50369	TEMPERATURE SENSOR
706	43T50336	TEMPERATURE SENSOR
707	43T50370	TEMPERATURE SENSOR
708	43T50371	TEMPERATURE SENSOR
709	43T95304	SPACER-KGES

**13-6. Outdoor Unit (Part-E)**

**RAS-16J2AVRG-E**



Location No.	Part No.	Description	Location No.	Part No.	Description
701	43T62351	HEATSINK	706	43T50336	TEMPERATURE SENSOR
702	43T6W556	PC BOARD	707	43T50370	TEMPERATURE SENSOR
703	43T60392	TERMINAL-5P	708	43T50371	TEMPERATURE SENSOR
704	43T60326	FUSE	709	43T62313	PC PLATE BASE
705	43T50369	TEMPERATURE SENSOR			