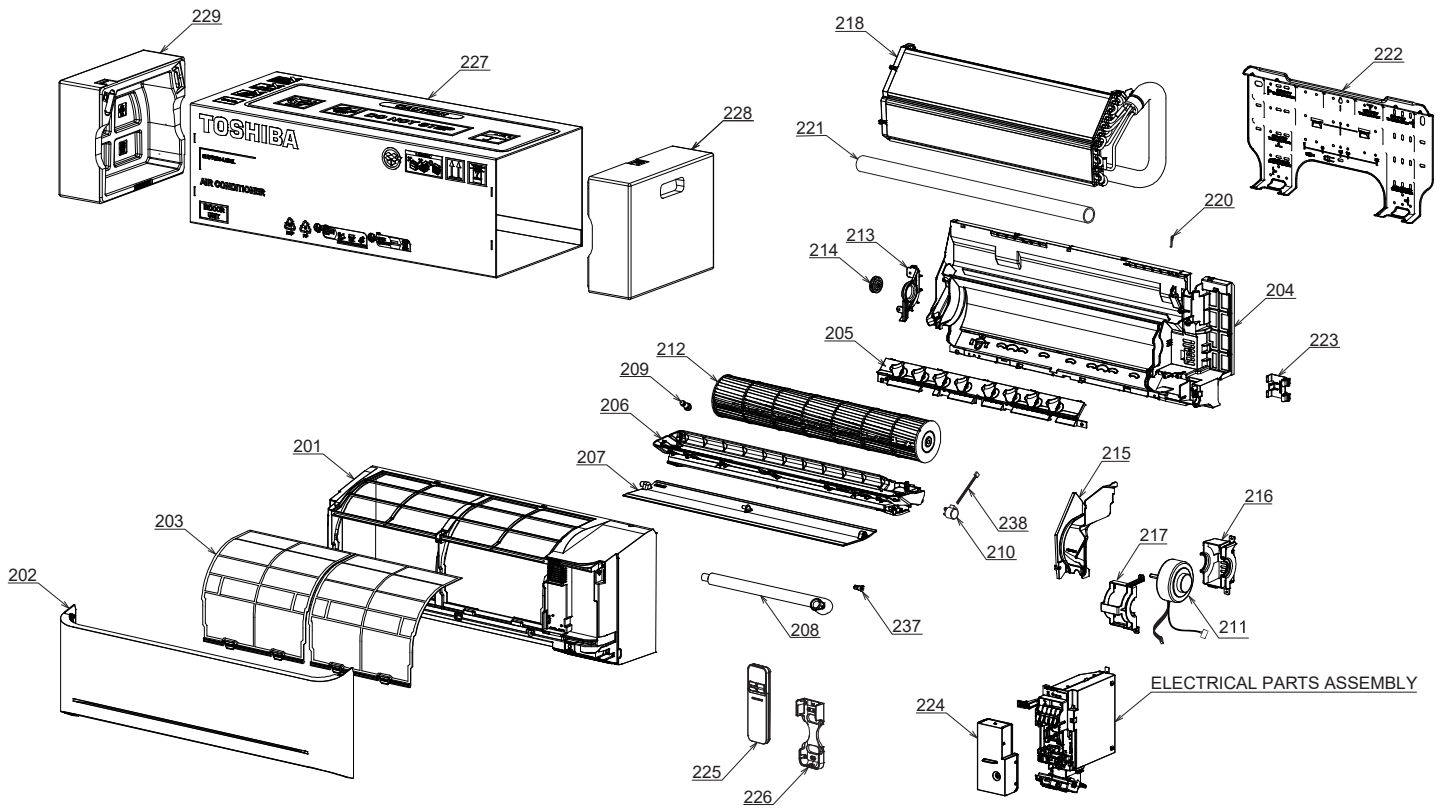


13. EXPLODED VIEWS AND PARTS LIST

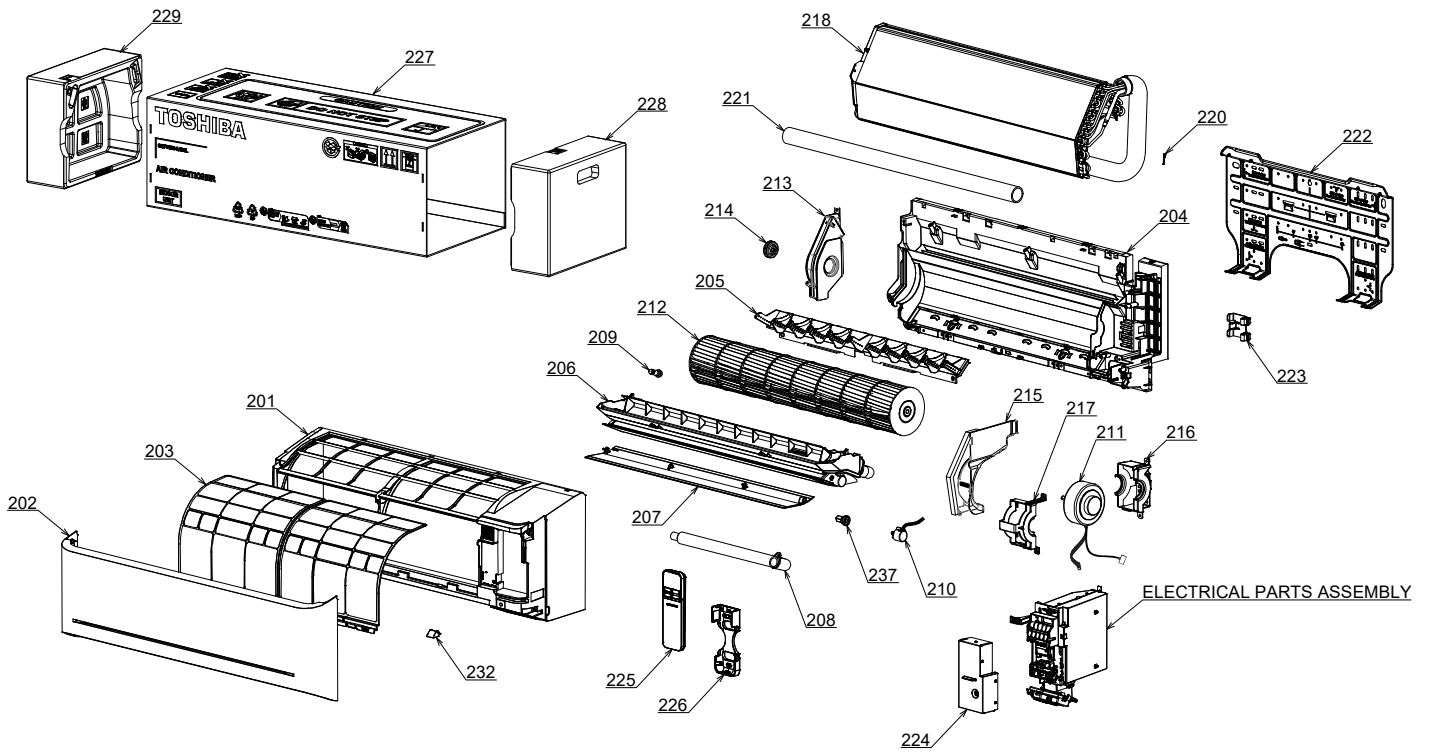
13-1. Indoor Unit

RAS-B05, 07, 10, 13B2KVG-E



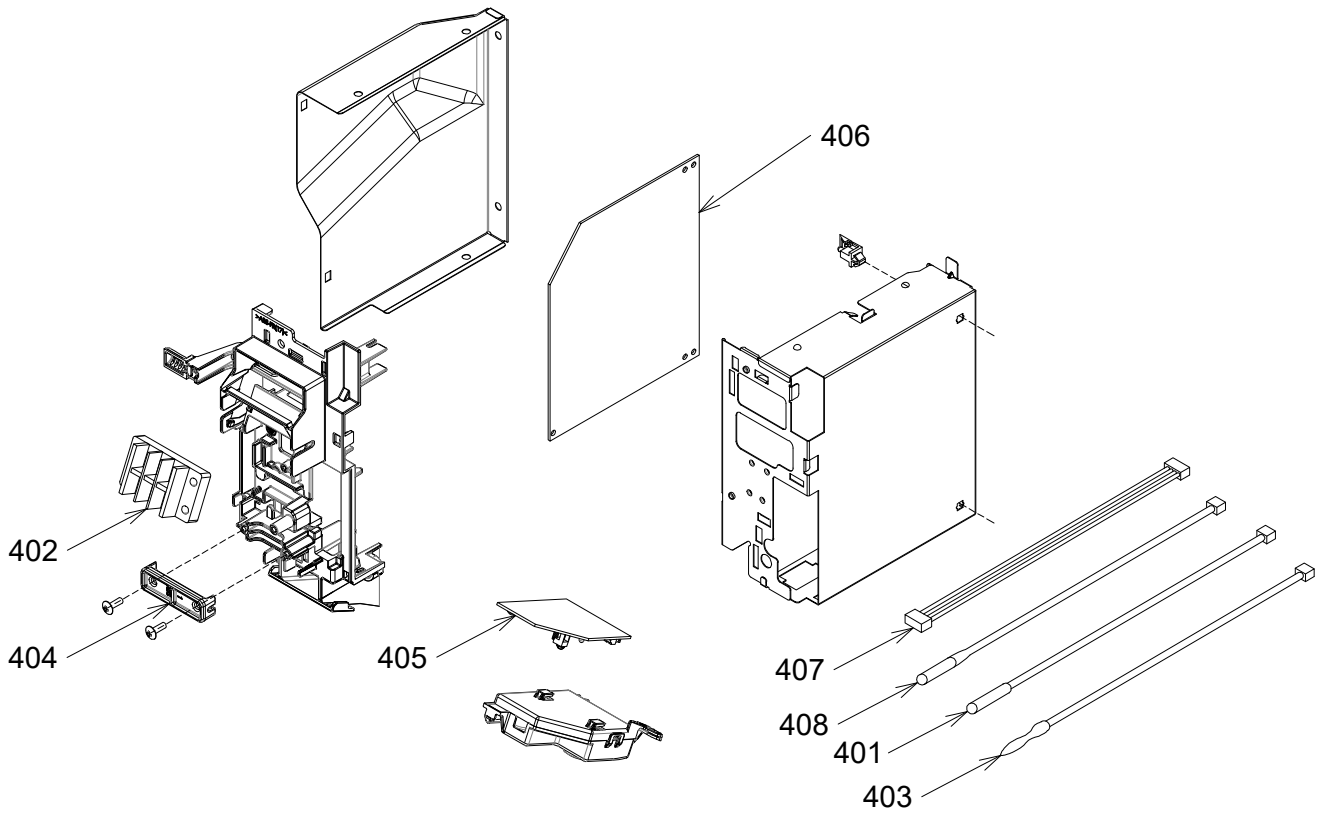
Location No.	Part No.	Description	Location No.	Part No.	Description
201	43T00933	FRONT PANEL ASSY	218	43T44765	REFRIGERANT CYCLE ASSEMBLY (FOR RAS-B10,13B2KVG-E)
202	43T09612	GRILLE OF AIR INLET ASSY	218	43T44845	REFRIGERANT CYCLE ASSEMBLY (FOR RAS-B05,07B2KVG-E)
203	43T80368	AIR FILTER	220	43T19333	HOLDER, SENSOR
204	43T03426	BACK BODY ASSY	221	43T11341	PIPE-SHIELD
205	43T22399	VERTICAL LOUVER ASSY	222	43T82349	PLATE, INSTALLATION
206	43T72384	DRAIN PAN ASSY	223	43T49368	PIPE HOLDER
207	43T22388	HORIZONTAL LOUVER	224	43T62360	TERMINAL COVER ASSY
208	43T70321	DRAIN HOSE	225	43T66433	WIRELESS REMOCO (WH-TG01NE)
209	43T79322	DRAIN CAP	226	43T83305	HOLDER, REMOTE CONTROL
210	43T21434	STEPPING-MOTOR	227	43T91417	PACKING SLEEVE
211	43T21462	MOTOR FAN	228	43T91418	PACKING CUSHION RIGHT
212	43T20367	CROSS FLOW FAN ASSY	229	43T91419	PACKING CUSHION LEFT
213	43T39445	BASE BEARING	237	43125202	COVER-AXIS
214	43T22312	BEARING ASSY, MOLD	238	43T60382	MOTOR CORD
215	43T39444	MOTOR COVER			
216	43T39443	MOTOR BAND BACK ASSY			
217	43T39369	MOTOR BAND FRONT			

RAS-B16, 18B2KVG-E



Location No.	Part No.	Description	Location No.	Part No.	Description
201	43T00863	FRONT PANEL ASSY	218	43T44846	REFRIGERANT CYCLE ASSEMBLY (FOR RAS-B16B2KVG-E)
202	43T09613	GRILLE OF AIR INLET ASSY	218	43T44847	REFRIGERANT CYCLE ASSEMBLY (FOR RAS-B18B2KVG-E)
203	43T80357	AIR FILTER	220	43T19333	HOLDER, SENSOR
204	43T03417	BACK BODY ASSY	221	43T11341	PIPE-SHIELD
205	43T22343	VERTICAL LOUVER ASSY	222	43T82332	INSTALLATION PLATE
206	43T72413	DRAIN PAN ASSY	223	43T49368	PIPE HOLDER
207	43T22345	HORIZONTAL LOUVER	224	43T62360	TERMINAL COVER ASSY
208	43T70321	DRAIN HOSE	225	43T66433	WIRELESS REMOCO (WH-TG01NE)
209	43T79322	DRAIN CAP	226	43T83305	HOLDER, REMOTE CONTROL
210	43T21546	STEPPING-MOTOR (24BYJ48-STHL)	227	43T91305	PACKING SLEEVE
211	43T21480	MOTOR FAN	228	43T91306	PACKING CUSHION RIGHT
212	43T20344	CROSS FLOW FAN ASSY	229	43T91307	PACKING CUSHION LEFT
213	43T39365	BASE BEARING	232	4301V149	CAP-SCREW
214	43T22312	BEARING ASSY, MOLD	237	4301V148	COVER-AXIS
215	43T39364	MOTOR COVER			
216	43T39442	MOTOR BAND BACK ASSY			
217	43T39367	MOTOR BAND FRONT			

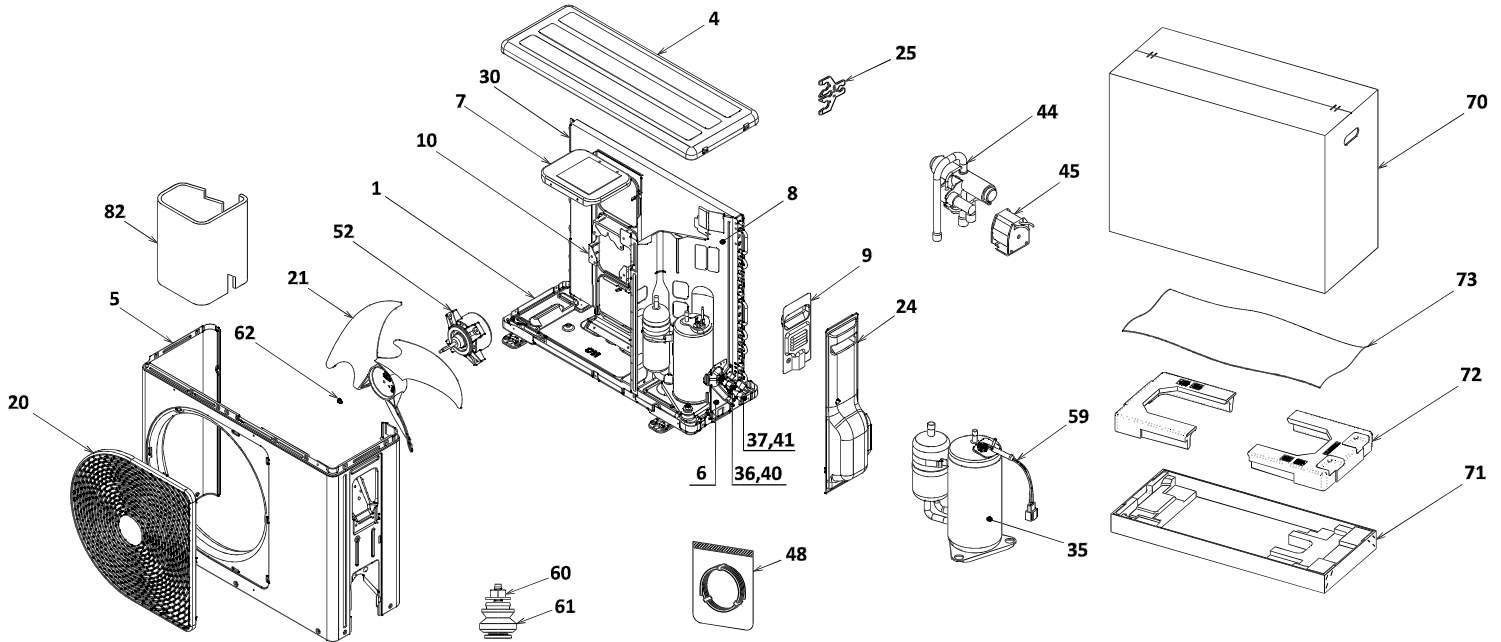
13-2. Indoor Unit (Part-E)



Location No.	Part No.	Description	Location No.	Part No.	Description
401	43T50394	TEMPERATURE SENSOR	406	43TNV380	PC BOARD (WP-050) (FOR RAS-B13B2KVG-E)
402	43T60331	TERMINAL, 3P	406	43TNV381	PC BOARD (WP-050) (FOR RAS-B16B2KVG-E)
403	43T50413	TA-SENSOR	406	43TNV382	PC BOARD (WP-050) (FOR RAS-B18B2KVG-E)
404	43T62340	CORD-CLAMP	407	43T60502	HOUSING-WiFi
405	43T6W441	PC BOARD ASSY:WRS-LED	408	43T60605	TEMPERATURE SENSOR
406	43TNV377	PC BOARD (WP-050) (FOR RAS-B05B2KVG-E)			
406	43TNV378	PC BOARD (WP-050) (FOR RAS-B07B2KVG-E)			
406	43TNV379	PC BOARD (WP-050) (FOR RAS-B10B2KVG-E)			

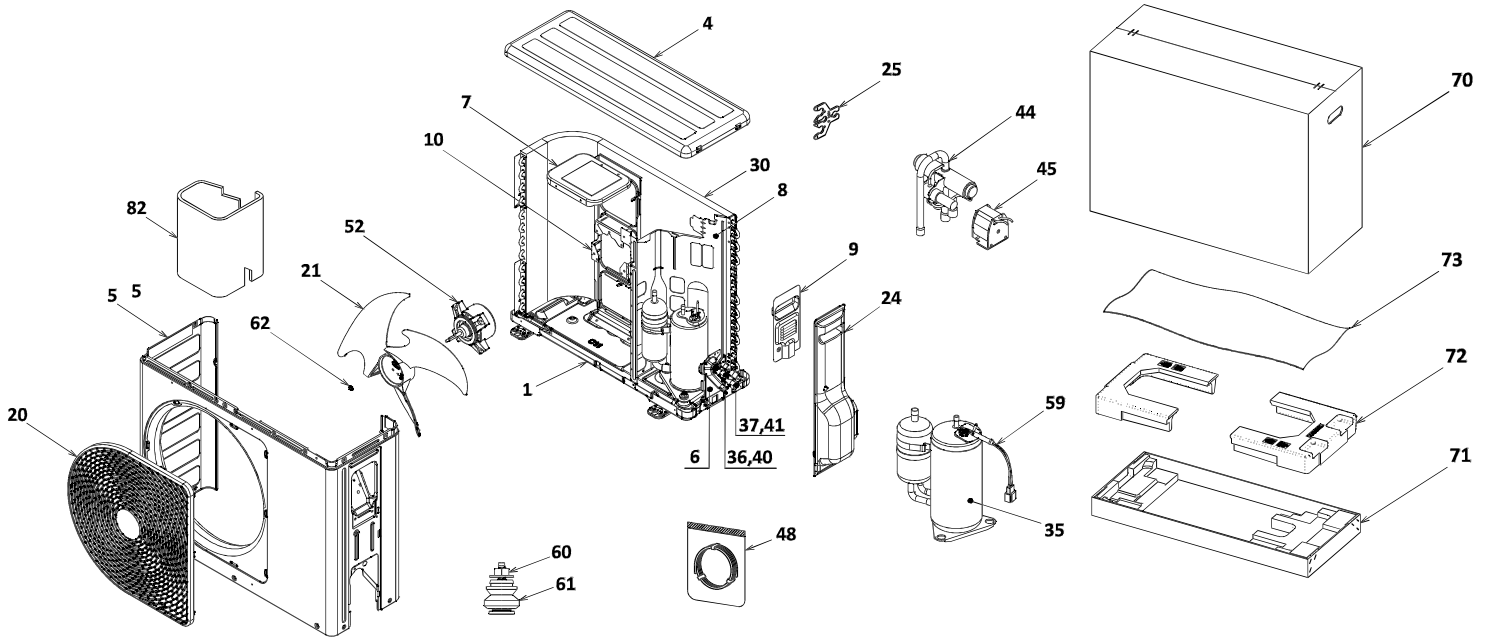
13-3. Outdoor Unit

RAS-05, 07, 10B2AVG-E



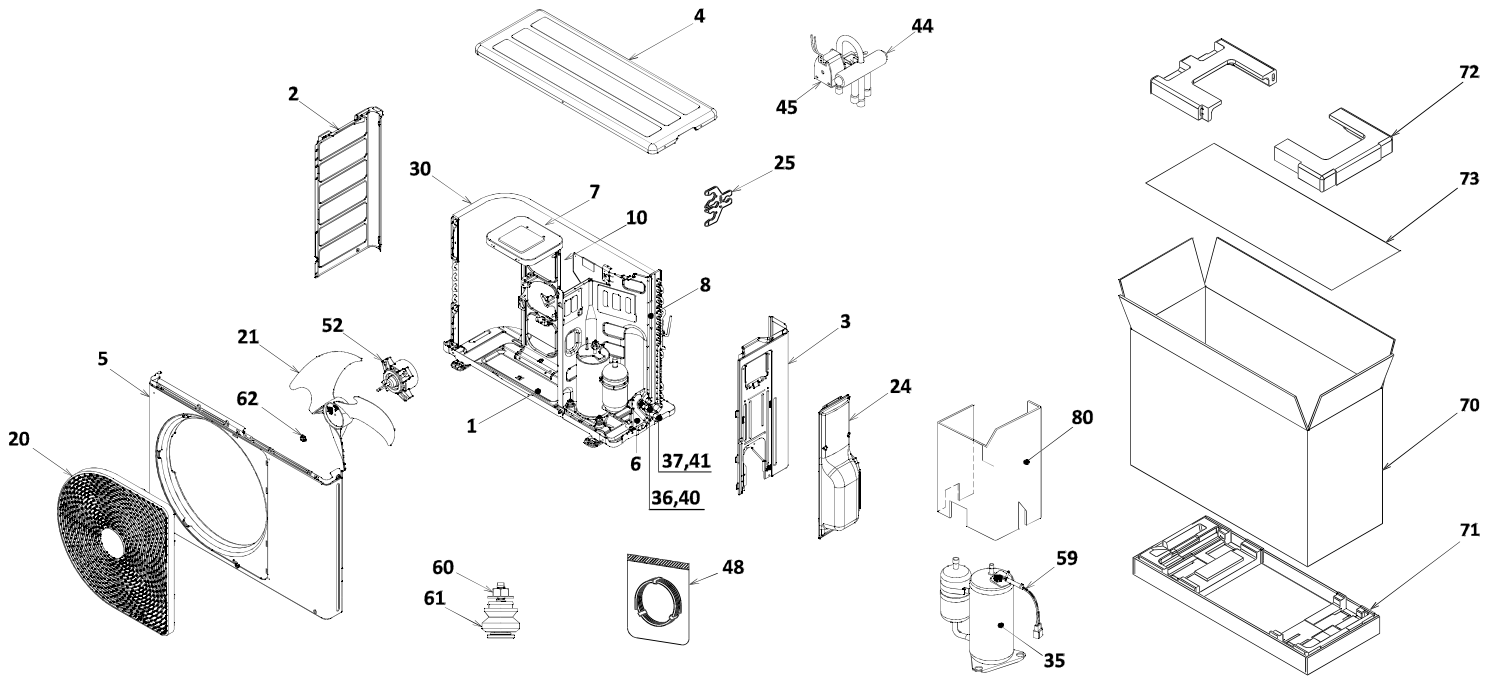
Location No.	Part No.	Description	Location No.	Part No.	Description
1	43T42388	BASE PLATE ASSEMBLY	37	43T47404	BONNET, 9.52 DIA
4	43T00733	UPPER CABINET ASSEMBLY	40	43T46540	VALVE; PACKED 6.35 DIA
5	43T00682	FRONT CABINET ASSEMBLY	41	43T46541	VALVE; PACKED 9.52 DIA
6	43T00448	FIXING PLATE VALVE	44	43T46367	4 WAY VALVE
7	43T39334	MOTOR BASE CONNECTION PLATE	45	43T63327	COIL-4WAY
8	43T04325	PARTITION ASSEMBLY	48	43T47007	CAPILLARY TUBE; 1.2 DIA (FOR RAS-10B2AVG-E)
9	43T62378	TERMINAL COVER ASSEMBLY	48	43T47308	CAPILLARY TUBE; 1.0 DIA (FOR RAS-05,07B2AVG-E)
10	43T39325	MOTOR BASE	52	43T21547	MOTOR FAN
20	43T19363	FAN GUARD	59	43T60498	LEAD ASSY, COMPRESSOR
21	43T20324	PROPELLER FAN	60	43T97001	NUT
24	43T19337	PACKED VALVE COVER	61	43T49327	RUBBER CUSHION
25	43T63376	HOLDER, SENSOR	62	43T47001	NUT FLANGE
30	43T43604	CONDENSER ASSEMBLY (FOR RAS-05,07B2AVG-E)	70	43T91310	CARTON BOX
30	43T43653	CONDENSER ASSEMBLY (FOR RAS-10B2AVG-E)	71	43T91434	FIBERBOARD UNDER ASSEMBLY
35	43T41557	COMPRESSOR (FOR RAS-05,07B2AVG-E)	72	43T91302	CUSHION-PKG-UPR
35	43T41604	COMPRESSOR (FOR RAS-10B2AVG-E)	73	43T91301	PE SHEET
36	43T47403	BONNET, 6.35 DIA	82	43T04507	SOUND INSULATION OUTSIDE

RAS-13B2AVG-E



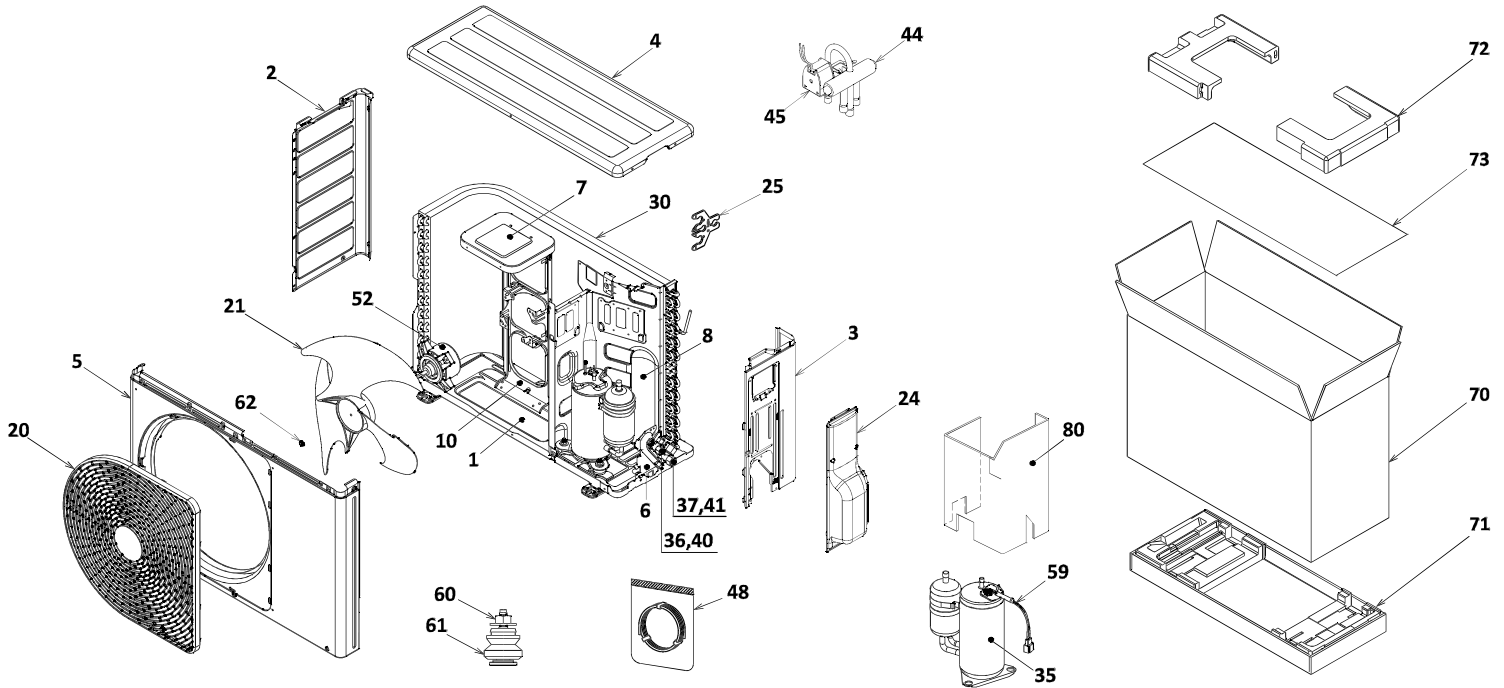
Location No.	Part No.	Description	Location No.	Part No.	Description
1	43T42388	BASE PLATE ASSEMBLY	40	43T46540	VALVE; PACKED 6.35 DIA
4	43T00734	UPPER CABINET ASSEMBLY	41	43T46541	VALVE; PACKED 9.52 DIA
5	43T00683	FRONT CABINET ASSEMBLY	44	43T46367	4 WAY VALVE
6	43T00448	FIXING PLATE VALVE	45	43T63327	COIL-4WAY
7	43T39334	MOTOR BASE CONNECTION PLATE	48	43T47007	CAPILLARY TUBE; 1.2 DIA
8	43T04325	PARTITION ASSEMBLY	52	43T21547	MOTOR FAN
9	43T62378	TERMINAL COVER ASSEMBLY	59	43T60498	LEAD ASSY, COMPRESSOR
10	43T39325	MOTOR BASE	60	43T97001	NUT
20	43T19363	FAN GUARD	61	43T49327	RUBBER CUSHION
21	43T20324	PROPELLER FAN	62	43T47001	NUT FLANGE
24	43T19337	PACKED VALVE COVER	70	43T91310	CARTON BOX
25	43T63376	HOLDER, SENSOR	71	43T91434	FIBERBOARD UNDER ASSEMBLY
30	43T43654	CONDENSER ASSEMBLY	72	43T91302	CUSHION-PKG-UPR
35	43T41604	COMPRESSOR	73	43T91301	PE SHEET
36	43T47403	BONNET, 6.35 DIA	82	43T04507	SOUND INSULATION OUTSIDE
37	43T47404	BONNET, 9.52 DIA			

RAS-16B2AVG-E



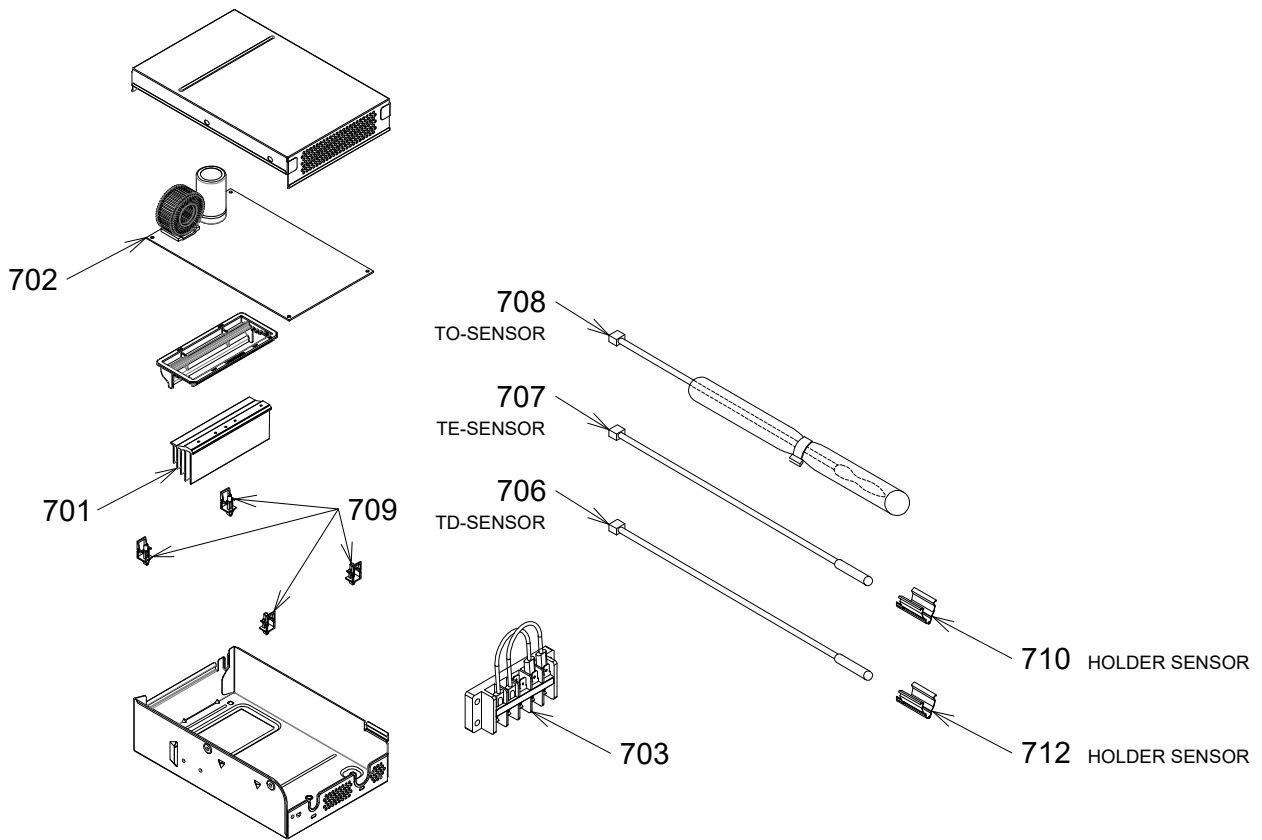
Location No.	Part No.	Description	Location No.	Part No.	Description
1	43T42382	BASE PLATE ASSEMBLY	40	43T46540	VALVE; PACKED 6.35 DIA
2	43T00459	LEFT CABINET	41	43T46572	VALVE; PACKED 12.7 DIA
3	43T00690	RIGHT CABINET ASSEMBLY	44	43T46367	4 WAY VALVE
4	43T00735	UPPER CABINET ASSEMBLY	45	43T63327	COIL-4WAY
5	43T00737	FRONT CABINET ASSEMBLY	48	43T47007	CAPILLARY TUBE; 1.2 DIA
6	43T00448	FIXING PLATE VALVE	52	43T21547	MOTOR FAN
7	43T39333	MOTOR BASE CONNECTION PLATE	59	43T60507	LEAD ASSY, COMPRESSOR
8	43T04365	GUIDE WIND PARTITION ASSEMBLY	60	43T97001	NUT
10	43T39393	MOTOR BASE	61	43T49327	RUBBER CUSHION
21	43T20365	PROPELLER FAN	62	43T47001	NUT FLANGE
24	43T00939	PACKED-VALVE COVER ASSEMBLY	70	43T91343	CARTON BOX
25	43T63376	HOLDER, SENSOR	71	43T91435	FIBERBOARD UNDER ASSEMBLY
30	43T43603	CONDENSER ASSEMBLY	72	43T91314	CUSHION-PKG-UPR
35	43T41607	COMPRESSOR	73	43T91301	PE SHEET
36	43T47403	BONNET, 6.35 DIA	80	43T04510	SOUND INSULATION OUTSIDE
37	43T47405	BONNET, 12.7 DIA			

RAS-18B2AVG-E



Location No.	Part No.	Description	Location No.	Part No.	Description
1	43T42382	BASE PLATE ASSEMBLY	40	43T46540	VALVE; PACKED 6.35 DIA
2	43T00459	LEFT CABINET	41	43T46572	VALVE; PACKED 12.7 DIA
3	43T00690	RIGHT CABINET ASSEMBLY	44	43T46367	4 WAY VALVE
4	43T00735	UPPER CABINET ASSEMBLY	45	43T63327	COIL-4WAY
5	43T00689	FRONT CABINET ASSEMBLY	48	43T47008	CAPILLARY TUBE; 1.5 DIA
6	43T00448	FIXING PLATE VALVE	52	43T21547	MOTOR FAN
7	43T39333	MOTOR BASE CONNECTION PLATE	59	43T60507	LEAD ASSY, COMPRESSOR
8	43T04500	GUIDE WIND PARTITION ASSEMBLY	60	43T97001	NUT
10	43T39393	MOTOR BASE	61	43T49327	RUBBER CUSHION
21	43T20365	PROPELLER FAN	62	43T47001	NUT FLANGE
24	43T00939	PACKED-VALVE COVER ASSEMBLY	70	43T91343	CARTON BOX
25	43T63376	HOLDER, SENSOR	71	43T91435	FIBERBOARD UNDER ASSEMBLY
30	43T43718	CONDENSER ASSEMBLY	72	43T91314	CUSHION-PKG-UPR
35	43T41607	COMPRESSOR	73	43T91301	PE SHEET
36	43T47403	BONNET, 6.35 DIA	80	43T04510	SOUND INSULATION OUTSIDE
37	43T47405	BONNET, 12.7 DIA			

13-4. Outdoor Unit (Part-E)



Location No.	Part No.	Description	Location No.	Part No.	Description
701	43T67311	HEATSINK	702	43TNV389	PC BOARD (WP-043) (FOR RAS-18B2AVG-E)
702	43TNV384	PC BOARD (WP-043) (FOR RAS-05B2AVG-E)	703	43T60553	TERMINAL(5P-W)
702	43TNV385	PC BOARD (WP-043) (FOR RAS-07B2AVG-E)	706	43T50334	TEMPERATURE SENSOR
702	43TNV386	PC BOARD (WP-043) (FOR RAS-10B2AVG-E)	707	43T50352	TEMPERATURE SENSOR
702	43TNV387	PC BOARD (WP-043) (FOR RAS-13B2AVG-E)	708	43T50452	SENSOR-TA(TO)
702	43TNV388	PC BOARD (WP-043) (FOR RAS-16B2AVG-E)	709	43T95304	SPACER-KGES
			710	43T63318	HOLDER SENSOR
			712	43T63317	HOLDER,SENSOR