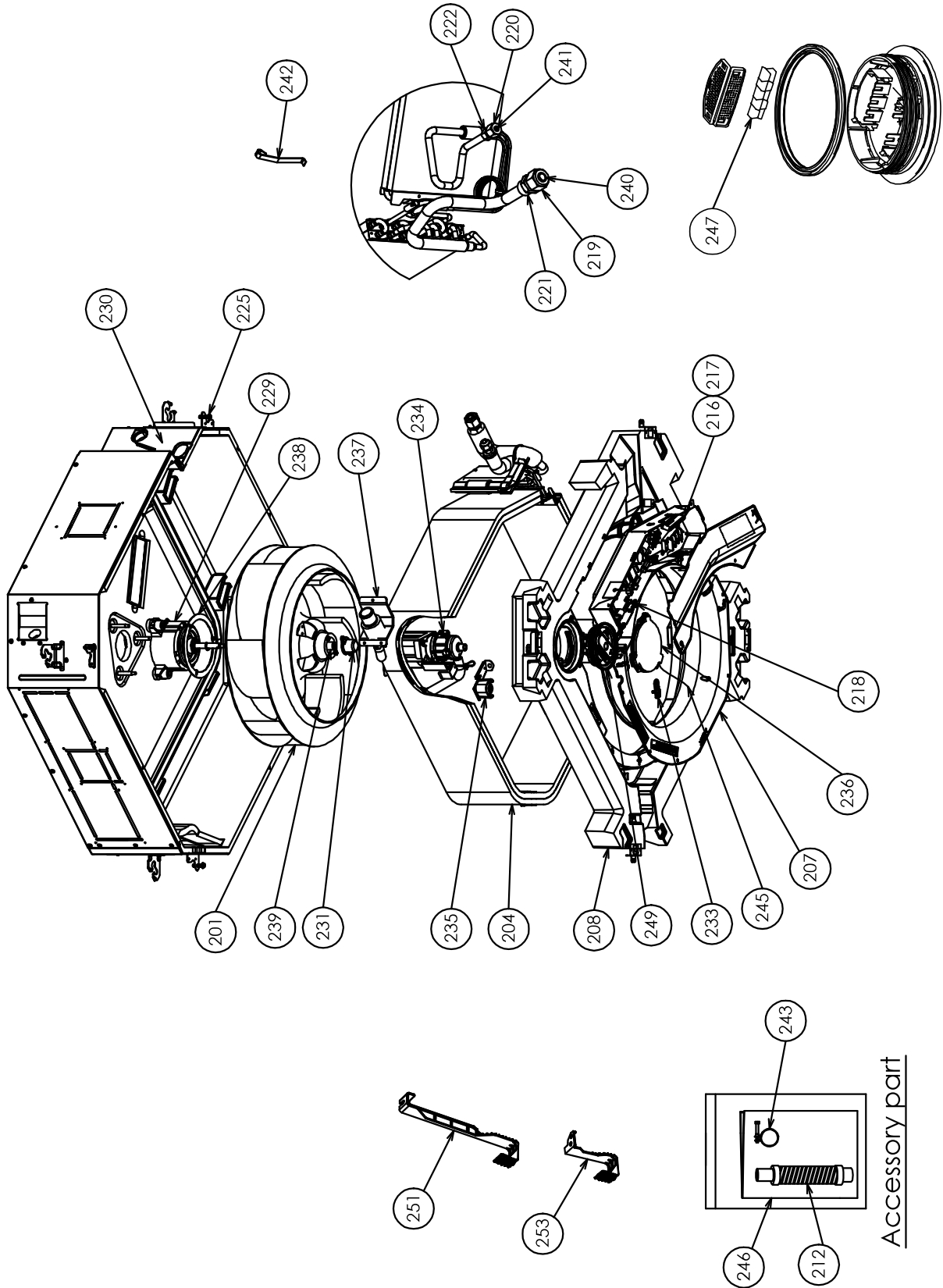


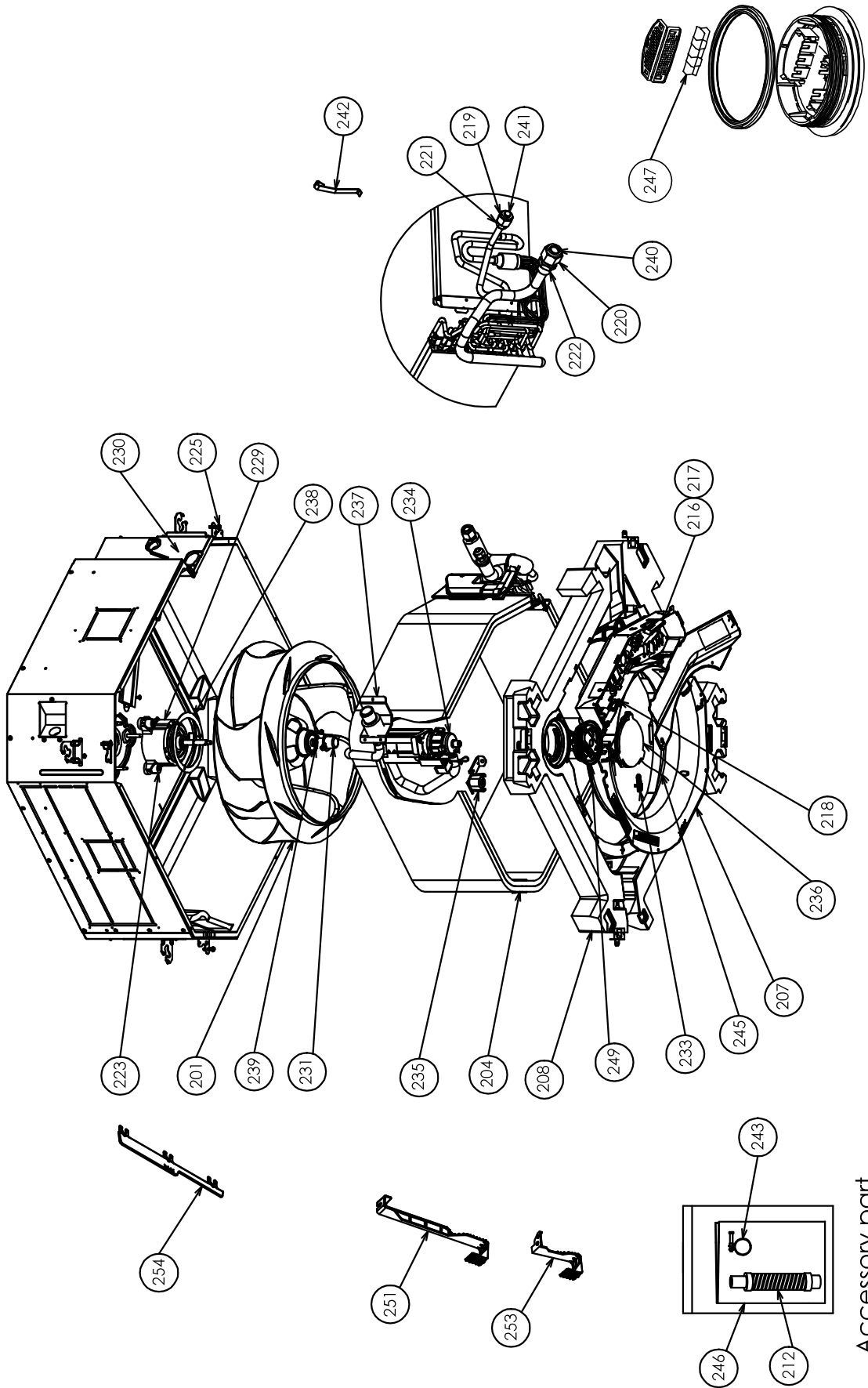
12. EXPLODED VIEWS AND PARTS LIST

12-1. Indoor Unit

RAV-HM561UTP-E(TR), RAV-HM801UTP-E(TR)

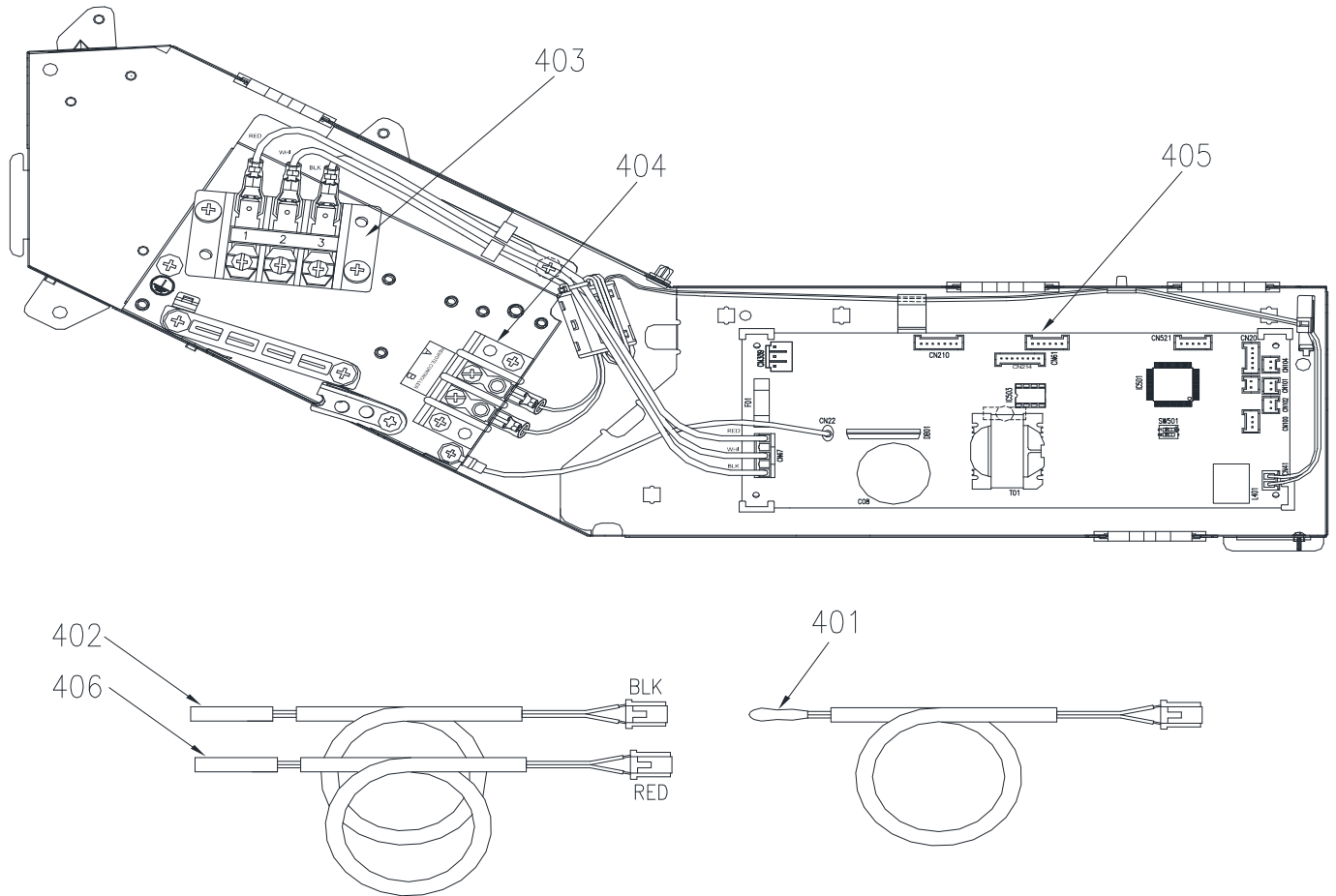


| Location No. | Part No. | Description | Model name RAV-HM | | | |
|--------------|----------|----------------------------|----------------------|-----------|----------|-----------|
| | | | 561UTP-E | 561UTP-TR | 801UTP-E | 801UTP-TR |
| 201 | 43T20335 | FAN,ASSY TURB | 1 | 1 | 1 | 1 |
| 204 | 43T44609 | REFRIGERANT CYCLE ASSEMBLY | 1 | 1 | - | - |
| 204 | 43T44610 | REFRIGERANT CYCLE ASSEMBLY | - | - | 1 | 1 |
| 207 | 43T22322 | BELL MOUTH | 1 | 1 | 1 | 1 |
| 208 | 43T72320 | PAN ASSY, DRAIN | 1 | 1 | 1 | 1 |
| 212 | 43T70326 | HOSE, DRAIN | 1 | 1 | 1 | 1 |
| 216 | 43T63348 | CLAMP, DOWN | 1 | 1 | 1 | 1 |
| 217 | 43T63349 | CLAMP, UP | 1 | 1 | 1 | 1 |
| 218 | 43T63347 | CLAMP, WIRE | 4 | 4 | 4 | 4 |
| 219 | 43T97321 | NUT, FLARE, 3/8 IN | - | - | 1 | 1 |
| 219 | 43T97322 | NUT, FLARE, 1/2 IN | 1 | 1 | - | - |
| 220 | 43T97320 | NUT, FLARE, 1/4 IN | 1 | 1 | - | - |
| 220 | 43T97323 | NUT, FLARE, 5/8 IN | - | - | 1 | 1 |
| 221 | 43T82337 | SOCKET | - | - | 1 | 1 |
| 221 | 43T82338 | SOCKET | 1 | 1 | - | - |
| 222 | 43T82336 | SOCKET | 1 | 1 | - | - |
| 222 | 43T82339 | SOCKET | - | - | 1 | 1 |
| 225 | 43T97315 | SCREW, FIX PANEL | 4 | 4 | 4 | 4 |
| 229 | 43T21485 | FAN MOTOR WIRING ASSEMBLY | 1 | 1 | 1 | 1 |
| 230 | 43T04318 | COVER ASSY | 1 | 1 | 1 | 1 |
| 231 | 43T39353 | CAP,NUT | 1 | 1 | 1 | 1 |
| 233 | 43T19358 | COVER,SENSOR | 1 | 1 | 1 | 1 |
| 234 | 43T77301 | PUMP ASSY | 1 | 1 | 1 | 1 |
| 235 | 43T51314 | SWITCH ASSY FLOAT | 1 | 1 | 1 | 1 |
| 236 | 43T79319 | LID ASSY, OUTSIDE | 1 | 1 | 1 | 1 |
| 237 | 43T71303 | SOCKET, ASSY DRAIN | 1 | 1 | 1 | 1 |
| 238 | 43T97316 | WASHER | 1 | 1 | 1 | 1 |
| 239 | 43T97001 | NUT | 1 | 1 | 1 | 1 |
| 240 | 43T47332 | BONNET, 9.52 DIA | - | - | 1 | 1 |
| 240 | 43T47333 | BONNET, 12.70 DIA | 1 | 1 | - | - |
| 241 | 43T47331 | BONNET, 6.35 DIA | 1 | 1 | - | - |
| 241 | 43T47334 | BONNET, 15.88 DIA | - | - | 1 | 1 |
| 242 | 43T19333 | HOLDER, SENSOR | 2 | 2 | 2 | 2 |
| 243 | 43T83311 | BAND, HOSE | 1 | 1 | 1 | 1 |
| 245 | 43T83312 | STRING | 1 | 1 | 1 | 1 |
| 246 | 43T85883 | OWNER'S MANUAL | 1 | - | 1 | - |
| 246 | 43T85884 | OWNER'S MANUAL | - | 1 | - | 1 |
| 247 | 43T79318 | GLASS | 1 | 1 | 1 | 1 |
| 249 | 43T79317 | LID ASSY, INSIDE | 1 | 1 | 1 | 1 |
| 251 | 43T39449 | EVAPORATOR FIX BAND(A) | 2 | 2 | 2 | 2 |
| 253 | 43T39451 | EVAPORATOR FIX BAND(C) | 1 | 1 | 1 | 1 |



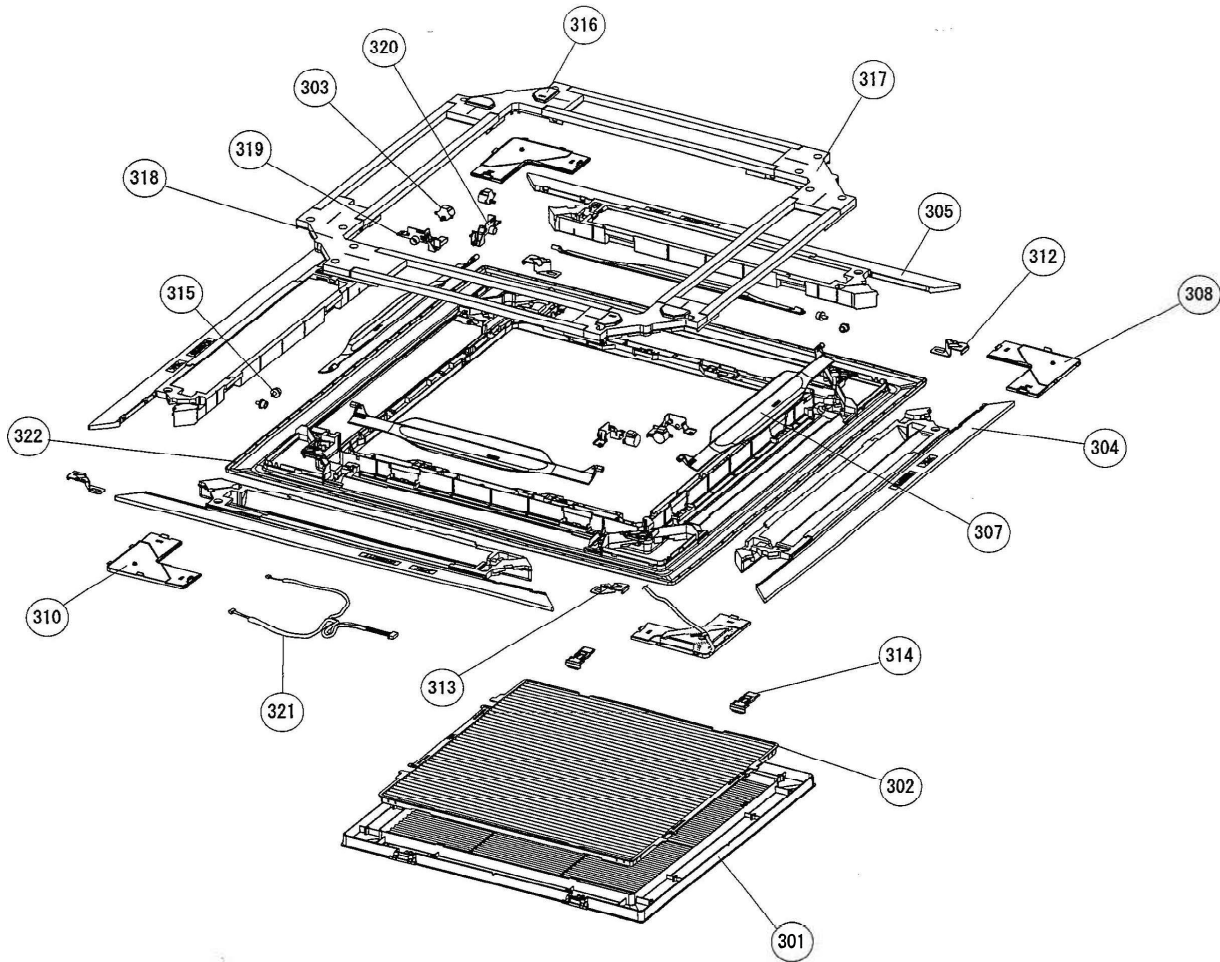
| Location No. | Part No. | Description | Model name RAV-HM | | | | | | |
|--------------|----------|----------------------------|----------------------|-----------|------------|-----------|------------|-----------|------------|
| | | | 901UTP-E | 1101UTP-E | 1101UTP-TR | 1401UTP-E | 1401UTP-TR | 1601UTP-E | 1601UTP-TR |
| 201 | 43T20334 | FAN,ASSY TURB | 1 | 1 | 1 | 1 | 1 | 1 | 1 |
| 204 | 43T44611 | REFRIGERANT CYCLE ASSEMBLY | 1 | 1 | 1 | 1 | 1 | 1 | 1 |
| 207 | 43T22322 | BELL MOUTH | 1 | 1 | 1 | 1 | 1 | 1 | 1 |
| 208 | 43T72320 | PAN ASSY, DRAIN | 1 | 1 | 1 | 1 | 1 | 1 | 1 |
| 212 | 43T70326 | HOSE, DRAIN | 1 | 1 | 1 | 1 | 1 | 1 | 1 |
| 216 | 43T63348 | CLAMP, DOWN | 1 | 1 | 1 | 1 | 1 | 1 | 1 |
| 217 | 43T63349 | CLAMP, UP | 1 | 1 | 1 | 1 | 1 | 1 | 1 |
| 218 | 43T63347 | CLAMP, WIRE | 4 | 4 | 4 | 4 | 4 | 4 | 4 |
| 219 | 43T97321 | NUT, FLARE, 3/8 IN | 1 | 1 | 1 | 1 | 1 | 1 | 1 |
| 220 | 43T97323 | NUT, FLARE, 5/8 IN | 1 | 1 | 1 | 1 | 1 | 1 | 1 |
| 221 | 43T82337 | SOCKET | 1 | 1 | 1 | 1 | 1 | 1 | 1 |
| 222 | 43T82339 | SOCKET | 1 | 1 | 1 | 1 | 1 | 1 | 1 |
| 223 | 43T11339 | RUBBER, CUSHION | 3 | 3 | 3 | 3 | 3 | 3 | 3 |
| 225 | 43T97315 | SCREW, FIX PANEL | 4 | 4 | 4 | 4 | 4 | 4 | 4 |
| 229 | 43T21486 | MOTOR ASSEMBLY | 1 | 1 | 1 | 1 | 1 | 1 | 1 |
| 230 | 43T04318 | COVER ASSY | 1 | 1 | 1 | 1 | 1 | 1 | 1 |
| 231 | 43T39353 | CAP,NUT | 1 | 1 | 1 | 1 | 1 | 1 | 1 |
| 233 | 43T19358 | COVER,SENSOR | 1 | 1 | 1 | 1 | 1 | 1 | 1 |
| 234 | 43T77301 | PUMP ASSY | 1 | 1 | 1 | 1 | 1 | 1 | 1 |
| 235 | 43T51314 | SWITCH ASSY FLOAT | 1 | 1 | 1 | 1 | 1 | 1 | 1 |
| 236 | 43T79319 | LID ASSY, OUTSIDE | 1 | 1 | 1 | 1 | 1 | 1 | 1 |
| 237 | 43T71303 | SOCKET, ASSY DRAIN | 1 | 1 | 1 | 1 | 1 | 1 | 1 |
| 238 | 43T97316 | WASHER | 1 | 1 | 1 | 1 | 1 | 1 | 1 |
| 239 | 43T97001 | NUT | 1 | 1 | 1 | 1 | 1 | 1 | 1 |
| 241 | 43T47334 | BONNET; 15.88 DIA. | 1 | 1 | 1 | 1 | 1 | 1 | 1 |
| 242 | 43T19333 | HOLDER, SENSOR | 2 | 2 | 2 | 2 | 2 | 2 | 2 |
| 243 | 43T83311 | BAND, HOSE | 1 | 1 | 1 | 1 | 1 | 1 | 1 |
| 245 | 43T83312 | STRING | 1 | 1 | 1 | 1 | 1 | 1 | 1 |
| 246 | 43T85883 | OWNER'S MANUAL | 1 | 1 | - | 1 | - | 1 | - |
| 246 | 43T85884 | OWNER'S MANUAL | - | - | 1 | - | 1 | - | 1 |
| 247 | 43T79318 | GLASS | 1 | 1 | 1 | 1 | 1 | 1 | 1 |
| 249 | 43T79317 | LID ASSY, INSIDE | 1 | 1 | 1 | 1 | 1 | 1 | 1 |
| 251 | 43T39450 | EVAPORATOR FIX BAND(B) | 2 | 2 | 2 | 2 | 2 | 2 | 2 |
| 253 | 43T39451 | EVAPORATOR FIX BAND(C) | 1 | 1 | 1 | 1 | 1 | 1 | 1 |
| 254 | 43T39352 | PLATE,WIND | 4 | 4 | 4 | 4 | 4 | 4 | 4 |

12-2. Electric parts



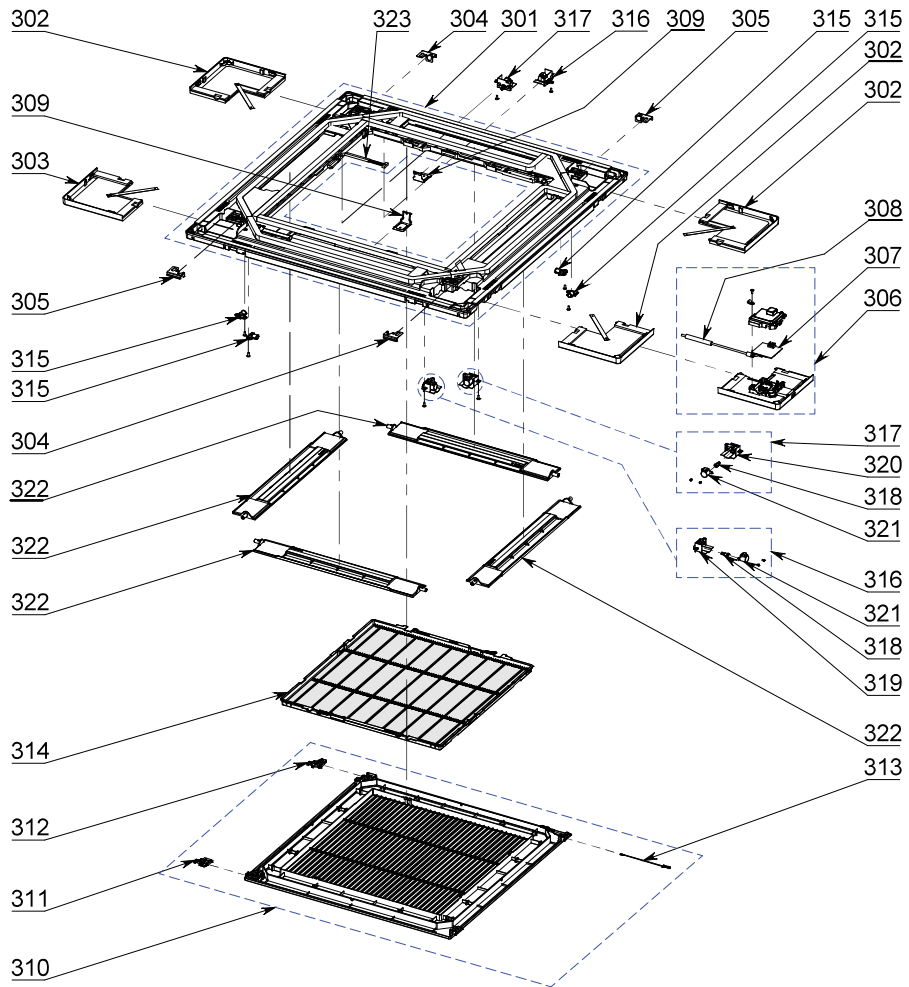
| Location No. | Part No. | Description | Model name RAV-HM | | | | | |
|--------------|----------|--------------------------|----------------------|------------------|--------------|-------------------|-------------------|-------------------|
| | | | 561 UTP-E(TR) | 801 UTP-E(TR) | 901 UTP-E | 1101 UTP-E(TR) | 1401 UTP-E(TR) | 1601 UTP-E(TR) |
| 401 | 43T50388 | TA-SENSOR (YEL) | 1 | 1 | 1 | 1 | 1 | 1 |
| 402 | 43T50420 | TC-SENSOR (BLK) | 1 | 1 | 1 | 1 | 1 | 1 |
| 403 | 43T60427 | TERMINAL BLOCK | 1 | 1 | 1 | 1 | 1 | 1 |
| 404 | 43T60434 | TERMINAL BLOCK, 2P | 1 | 1 | 1 | 1 | 1 | 1 |
| 405 | 43TN9665 | PC BOARD ASSY (MCC-1643) | 1 | 1 | 1 | 1 | 1 | 1 |
| 406 | 43T50386 | TCJ SENSOR (RED) | 1 | 1 | 1 | 1 | 1 | 1 |

RBC-U32PGP-E



| Location No. | Part No. | Description | Model name |
|--------------|----------|-----------------------|--------------|
| | | | RBC-U32PGP-E |
| 301 | 43T09533 | GRILLE AINL | 1 |
| 302 | 43T80350 | AIR FILTER | 1 |
| 303 | 43T21434 | STEPPING-MOTOR | 4 |
| 304 | 43T07317 | AIR OUTLET FOAM (A) | 2 |
| 305 | 43T07318 | AIR OUTLET FOAM (B) | 2 |
| 307 | 43T09531 | LOUVER | 4 |
| 308 | 43T01317 | PANEL-COVER-ASSEMBLY | 3 |
| 310 | 43T01318 | PANEL-COVER-ASSEMBLY | 1 |
| 312 | 43T07320 | PANEL FIX PLATE (A) | 2 |
| 313 | 43T07321 | PANEL FIX PLATE (B) | 2 |
| 314 | 43T07324 | HOOK | 2 |
| 315 | 43T07319 | AXIS CAP | 4 |
| 316 | 43T03403 | COVER(MOTOR)-ASSEMBLY | 2 |
| 317 | 43T03401 | COVER ASSEMBLY | 1 |
| 318 | 43T03402 | COVER ASSEMBLY | 1 |
| 319 | 43T07322 | MOTOR FIXURE | 2 |
| 320 | 43T07323 | MOTOR FIXURE | 2 |
| 321 | 43T60530 | LEAD-MOTOR | 1 |
| 322 | 43T00714 | PANEL | 1 |

RBC-U33P-E



| Location No. | Part No. | Description | Model name |
|--------------|----------|----------------------------|------------|
| | | | RBC-U33P-E |
| 301 | 43T00885 | PANEL, INSULATOR ASSY | 1 |
| 302 | 43T01338 | PANEL, COVER ASSY | 3 |
| 303 | 43T01339 | PANEL, COVER ASSY; TOSHIBA | 1 |
| 304 | 43T07330 | PLATE, FIX PANEL (A) | 2 |
| 305 | 43T07331 | PLATE, FIX PANEL (B) | 2 |
| 309 | 43T07332 | HANGER FIXTURE | 2 |
| 310 | 43T09625 | GRILLE AIR INLET ASSY | 1 |
| 311 | 43T07333 | GRILLE HOOK LEFT | 1 |
| 312 | 43T07334 | GRILLE HOOK RIGHT | 1 |
| 313 | 43T19390 | STRING | 1 |
| 314 | 43T80369 | AIR FILTER | 1 |
| 315 | 43T07335 | AXIS CAP | 4 |
| 316 | 43T07336 | MOTOR FIXTURE ASSY | 2 |
| 317 | 43T07337 | MOTOR FIXTURE ASSY | 2 |
| 318 | 43T07338 | AXIS COVER | 4 |
| 319 | 43T07339 | MOTOR FIXTURE | 2 |
| 320 | 43T07340 | MOTOR FIXTURE | 2 |
| 321 | 43T21434 | STEPPING-MOTOR | 4 |
| 322 | 43T22390 | HORIZONTAL LOUVER ASSY | 4 |
| 323 | 43T60587 | LEAD MOTOR | 1 |