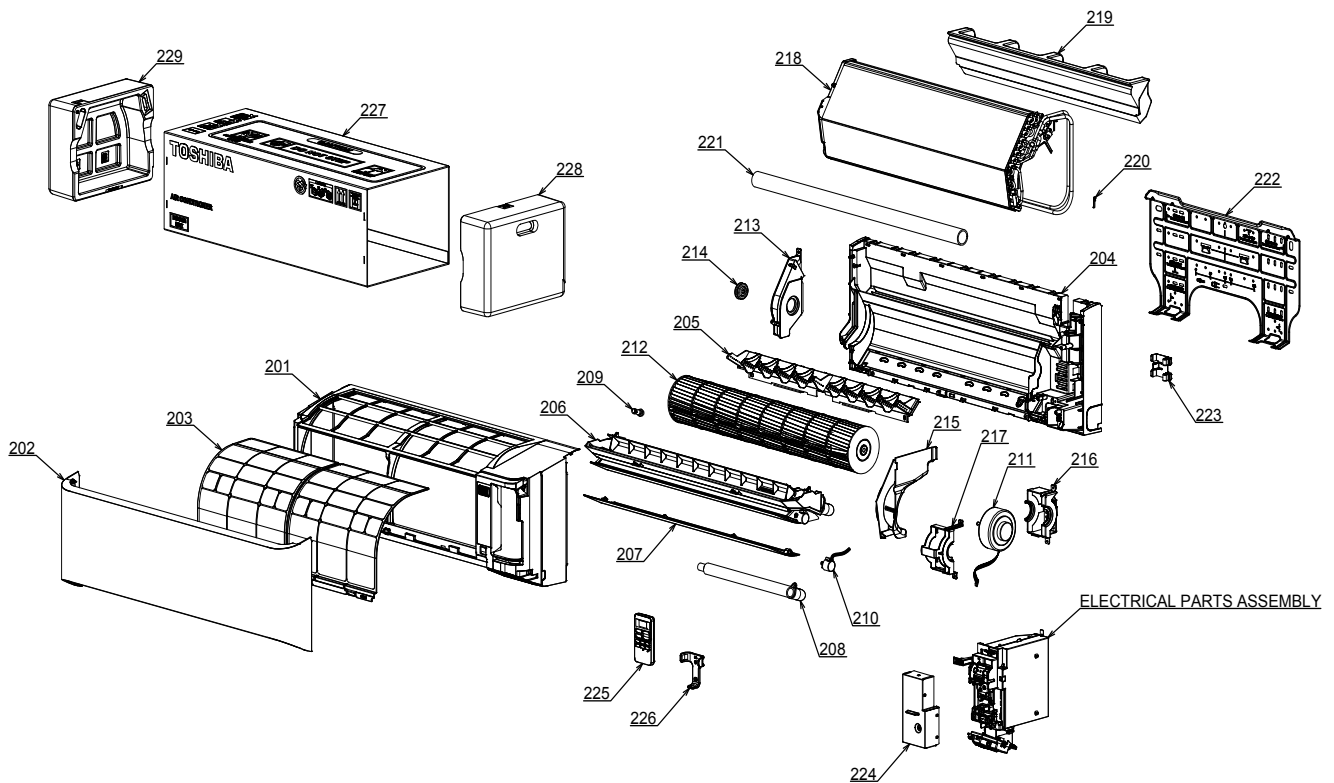


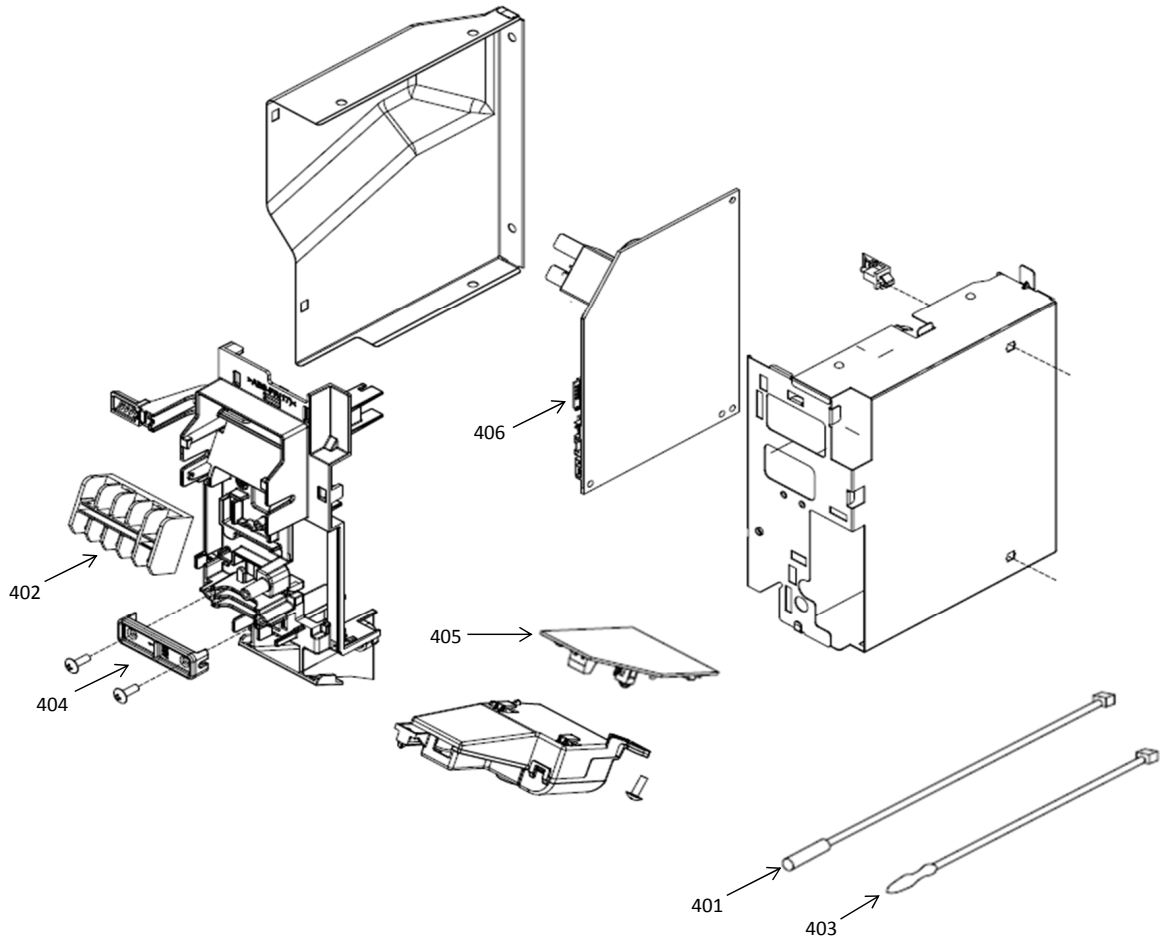
### 13. EXPLODED VIEWS AND PARTS LIST

#### 13-1. Indoor Unit



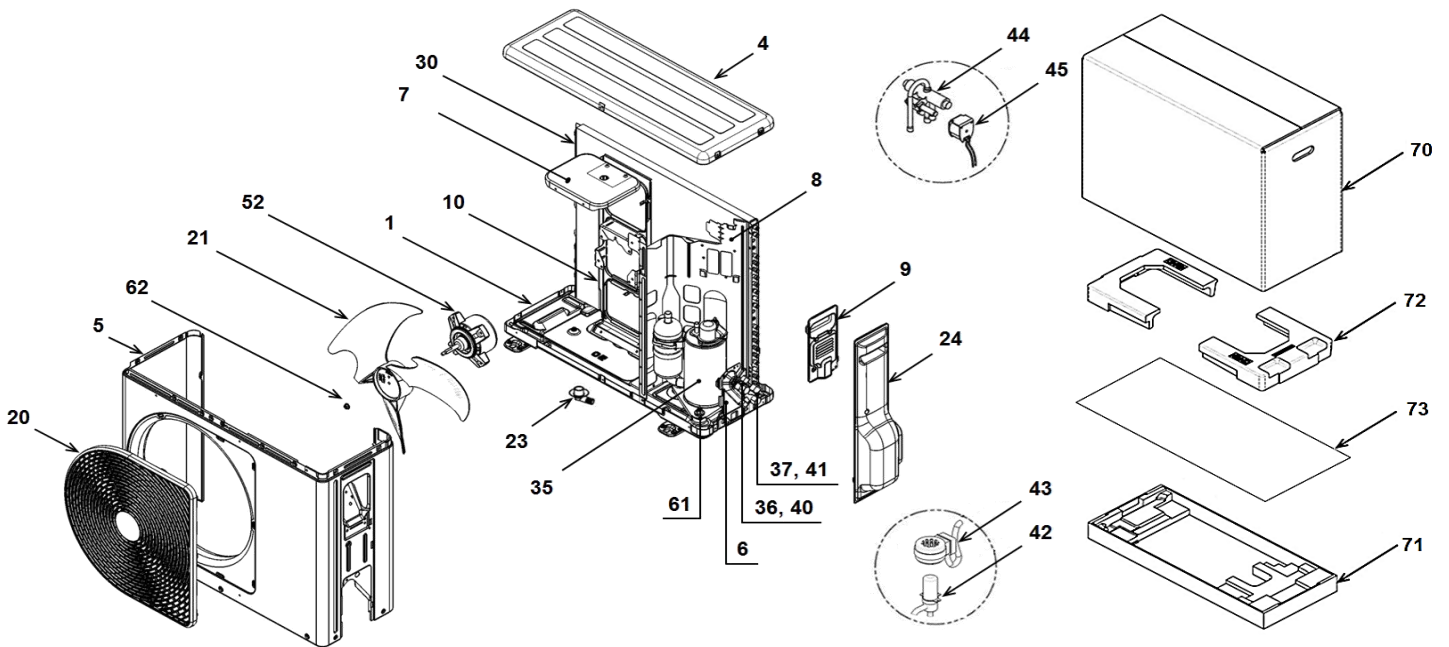
Location No.	Part No.	Description	Location No.	Part No.	Description
201	43T00685	FRONT PANEL ASSY	215	43T39364	MOTOR COVER
202	43T09520	GRILLE OF AIR INLET ASSY	216	43T39368	MOTOR BAND BACK
203	43T80349	AIR FILTER	217	43T39369	MOTOR BAND FRONT
204	43T03398	BACK BODY ASSY	218	43T44586	REFRIGERATION CYCLE ASSY
205	43T22343	VERTICAL LOUVER ASSY	220	43T19333	HOLDER, SENSOR
206	43T72340	DRAIN PAN ASSY	221	43T49359	PIPE, SHIELD
207	43T22345	HORIZONTAL LOUVER	222	43T82332	INSTALLATION PLATE
208	43T70321	DRAIN HOSE	223	43T49368	PIPE HOLDER
209	43T79322	DRAIN CAP	224	43T62360	TERMINAL COVER ASSY
210	43T21478	MOTOR; STEPPING	225	43T6V672	WIRELESS REMOTE CONTROL
211	43T21471	MOTOR FAN	226	43T83310	HOLDER, REMOTE CONTROL
212	43T20344	CROSS FLOW FAN ASSY	227	43T91305	PACKING SLEEVE
213	43T39365	BASE BEARING	228	43T91306	PACKING CUSHION RIGHT
214	43T22312	BEARING ASSY, MOLD	229	43T91307	PACKING CUSHION LEFT

13-2. Indoor Unit (Part-E)



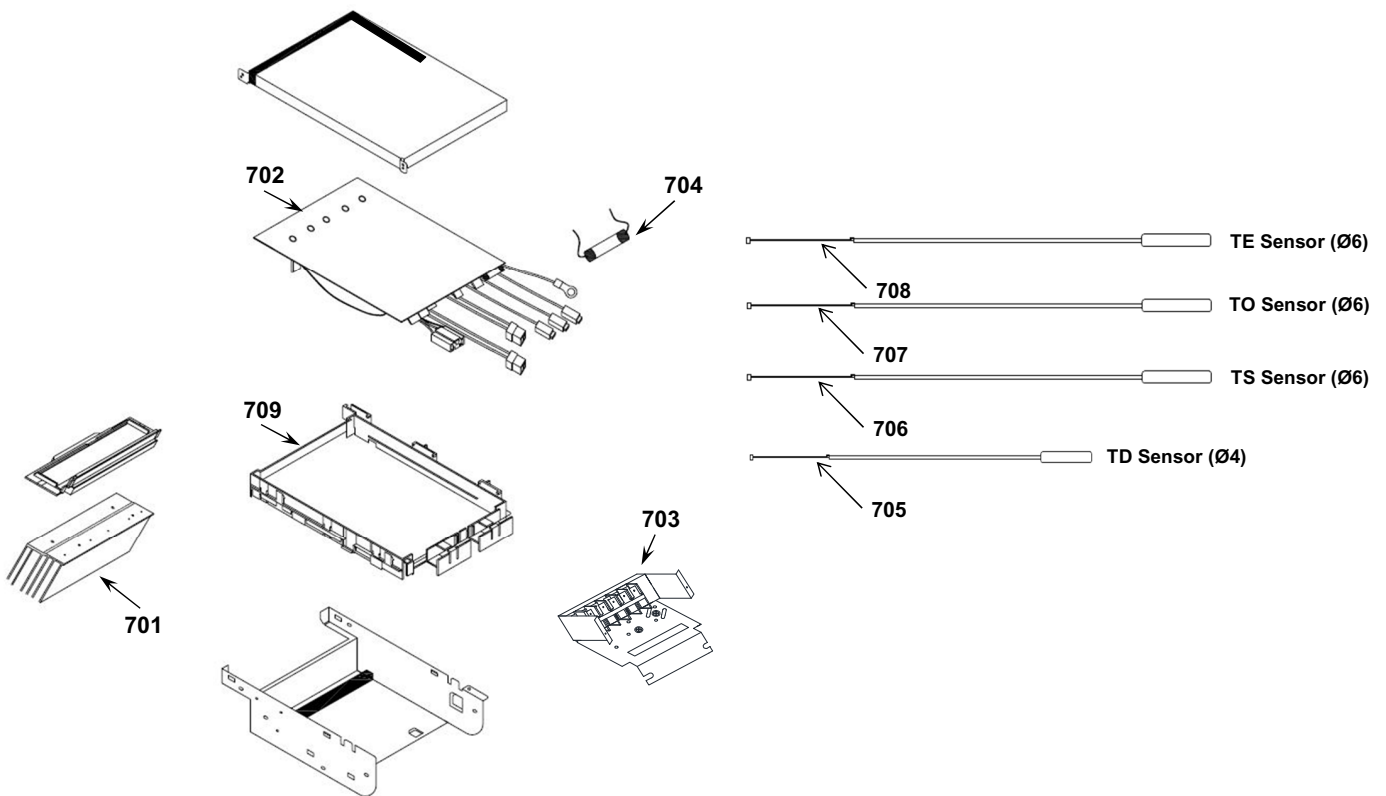
Location No.	Part No.	Description	Location No.	Part No.	Description
401	43T69319	TEMPERATURE SENSOR	404	43T62340	CORD-CLAMP
402	43T6V673	TERMINAL(5P-TF)	405	43T6V681	PC BOARD ASSY:WRS-LED
403	43T6V674	TEMPERATURE SENSOR	406	43T6W342	PC BOARD

13-3. Outdoor Unit



Location No.	Part No.	Description	Location No.	Part No.	Description
1	43T42327	BASE PLATE ASSEMBLY	41	43T46461	VALVE; PACKED 12.7 DIA
2	43T00459	LEFT CABINET	42	43T46469	BODY PMV
3	43T00690	RIGHT CABINET ASSEMBLY	43	43T63360	COIL PMV
4	43T00452	UPPER CABINET	44	43T46470	4 WAY VALVE
5	43T00688	FRONT CABINET ASSEMBLY	45	43T63361	4 WAY VALVE COIL
6	43T00448	FIXING PLATE VALVE	51	43T58306	REACTOR
7	43T39333	MOTOR BASE CONNECTION PLATE	52	43T21460	FAN MOTOR
8	43T04367	GUIDE WIND PARTITION ASSEMBLY	60	43T97001	NUT
20	43T19364	FAN GUARD	61	43T49327	CUSHION,RUBBER
21	43T20319	PROPELLER FAN	62	43T47001	NUT FLANGE
23	43T79305	DRAIN NIPPLE	63	43T63318	HOLDER SENSOR
24	43T00691	PACKED VALVE COVER ASSEMBLY	64	43T63317	HOLDER,SENSOR
25	43T63319	HOLDER,SENSOR	65	43T63316	HOLDER,SENSOR
30	43T43545	CONDENSER ASSEMBLY	70	43T91343	CARTON BOX
35	43T41500	COMPRESSOR	71	43T91342	FIBERBOARD UNDER ASSEMBLY
36	43T47331	BONNET, 6.35 DIA	72	43T91314	CUSHION-PKG-UPR
38	43T47333	BONNET, 12.70 DIA	73	43T91301	PE SHEET
40	43T46435	VALVE; PACKED 6.35 DIA			

13-4. Outdoor Unit (Part-E)



Location No.	Part No.	Description	Location No.	Part No.	Description
701	43T67310	HEATSINK	706	43T50336	TEMPERATURE SENSOR
702	43T6W340	PC BOARD	707	43T50370	TEMPERATURE SENSOR
703	43T60392	TERMINAL-5P	708	43T50371	TEMPERATURE SENSOR
704	43T60326	FUSE	709	43T62313	PC PLATE BASE
705	43T50369	TEMPERATURE SENSOR			

**TOSHIBA CARRIER (THAILAND) CO., LTD.**

**144/9 MOO 5, BANGKADI INDUSTRIAL PARK, TIVANON ROAD, TAMBOL BANGKADI,  
AMPHUR MUANG, PATHUMTHANI 12000, THAILAND.**