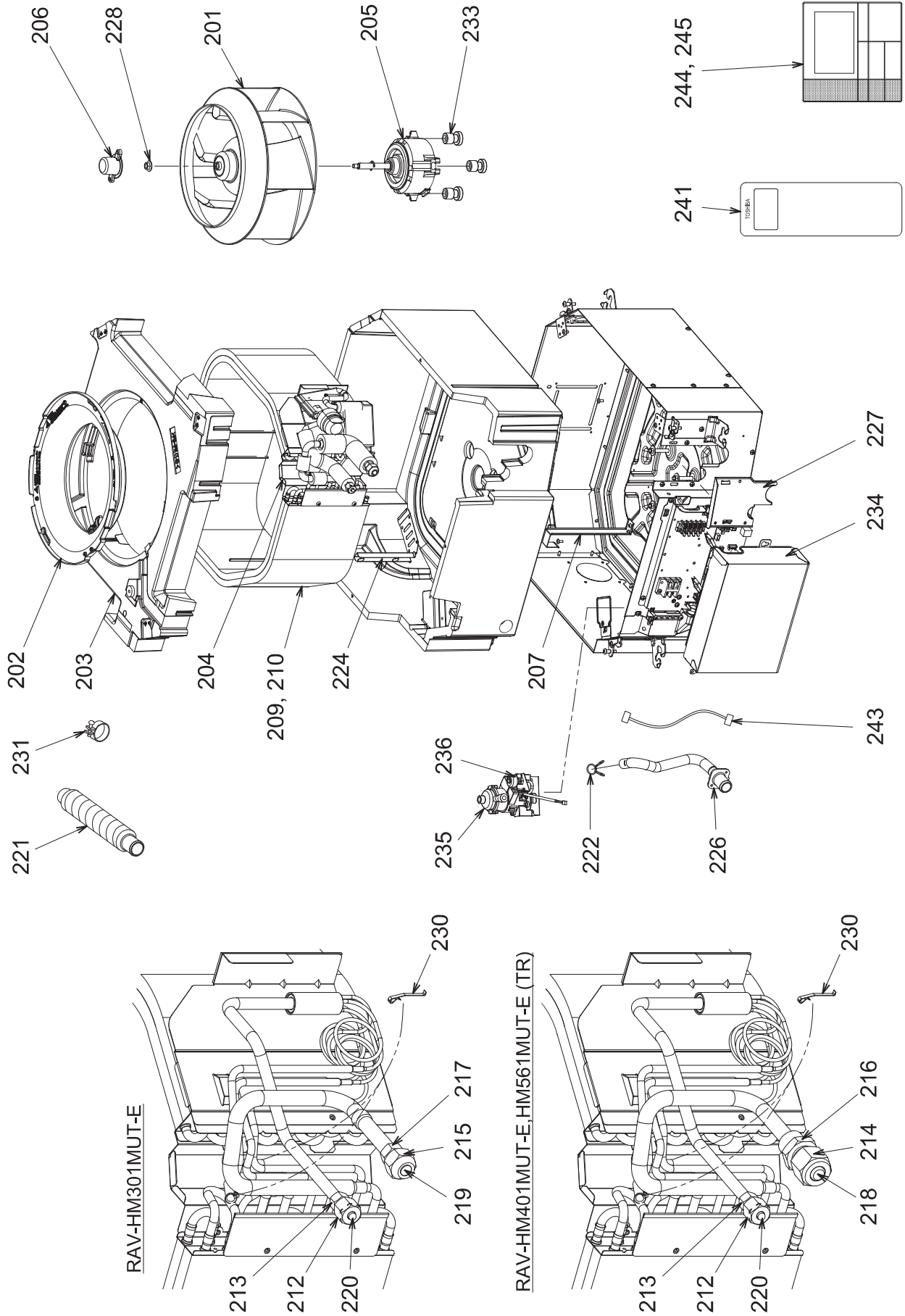


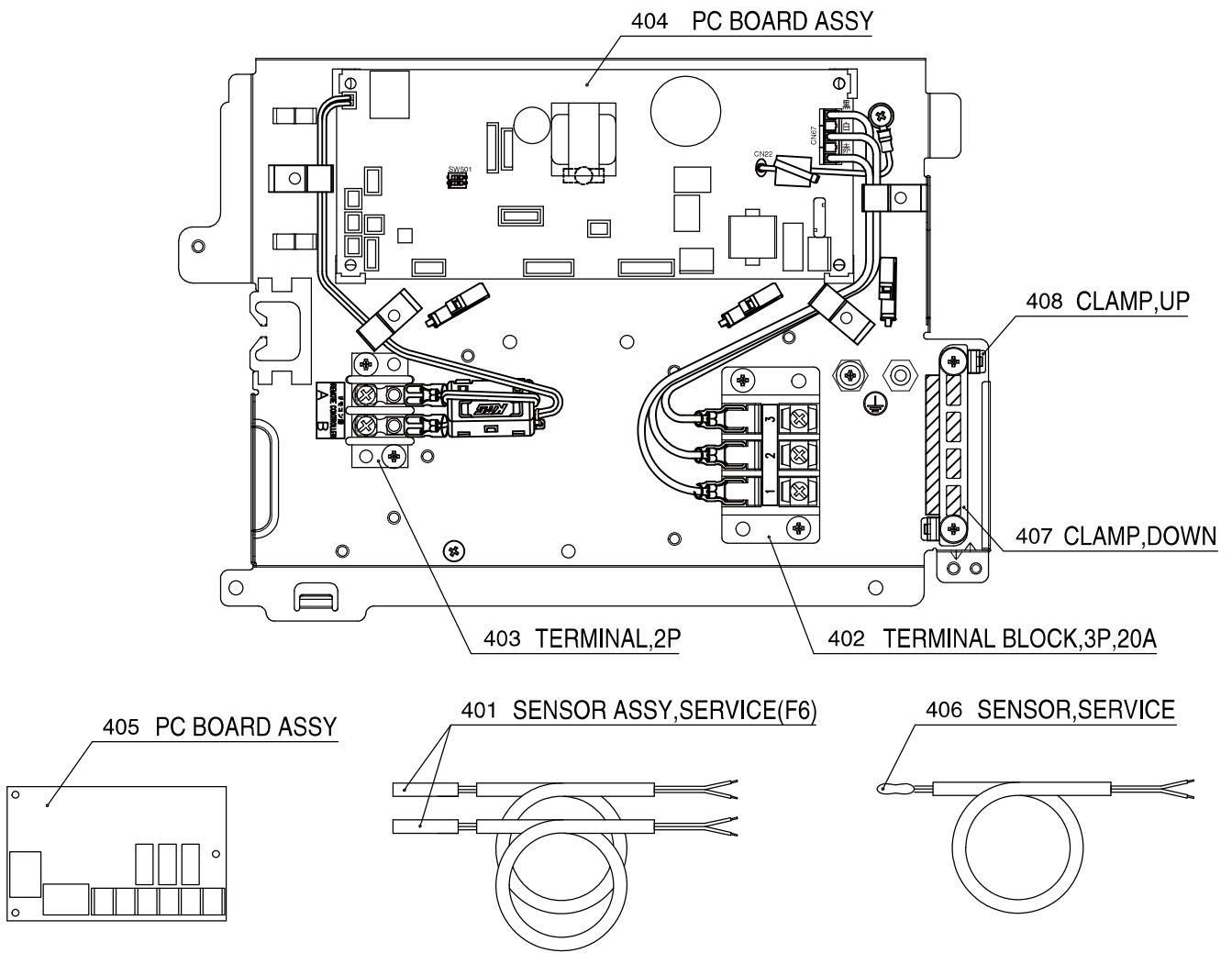
12. EXPLODED VIEWS AND PARTS LIST

12-1. RAV-HM301MUT-E, HM401MUT-E, HM561MUT-E(TR)



Location No.	Part No.	Description	Q'ty/Set		RAV-HM	
			301MUT-E	401MUT-E	561MUT-E	561MUT-TR
201	43120277	FAN, ASSY, TURBO	1	1	1	1
202	43122165	BELL MOUTH	1	1	1	1
203	43172259	PAN ASSY, DRAIN	1	1	1	1
204	43104248	PLATE ASSY, PARTITION	1	1	1	1
205	4312C199	MOTOR, FAN, ICF-340D60-1N	1	1	1	1
206	43139166	CAP, NUT	1	1	1	1
207	43149533	BAND, FIX, EVAPORATOR	1	1	1	1
209	4314J573	REFRIGERATION CYCLE ASSY		1	1	1
210	4314J574	REFRIGERATION CYCLE ASSY	1			
212	43149499	NUT, FLARE, 6.35	1	1	1	1
213	43149497	SOCKET, 6.35	1	1	1	1
214	43149501	NUT, FLARE, 12.7		1	1	1
215	43149500	NUT, FLARE, 9.52	1			
216	43149494	SOCKET, 12.7		1	1	1
217	43149498	SOCKET, 9.52	1			
218	43047692	BONNET, 12.7		1	1	1
219	43F47609	BONNET, 9.52	1			
220	43F49697	BONNET, 6.35	1	1	1	1
221	43170276	HOSE, DRAIN	1	1	1	1
222	43079249	BAND, HOSE	1	1	1	1
224	43163052	HOLDER, LEAD, FAN MOTOR	1	1	1	1
226	43170277	HOSE, DRAIN	1	1	1	1
227	43119542	COVER, PIPE	1	1	1	1
228	43F97212	NUT	1	1	1	1
230	43F19904	HOLDER, SENSOR (TS)	2	2	2	2
231	43179170	BAND, HOSE	2	2	2	2
233	43139187	RUBBER, CUSHION	3	3	3	3
234	43162087	COVER, E-BOX	1	1	1	1
235	43177021	PUMP, DRAIN	1	1	1	1
236	43151323	SWITCH, FLOAT	1	1	1	1
241	43166045	REMOTE CONTROLLER, WIRELESS, WH-TE08NE	1	1	1	1
243	43160663	LEAD, RELAY	1	1	1	1
244	43166042	REMOTE CONTROLLER, RBC-AMSU51-EN	1	1	1	1
245	43166043	REMOTE CONTROLLER, RBC-AMSU51-ES	1	1	1	1

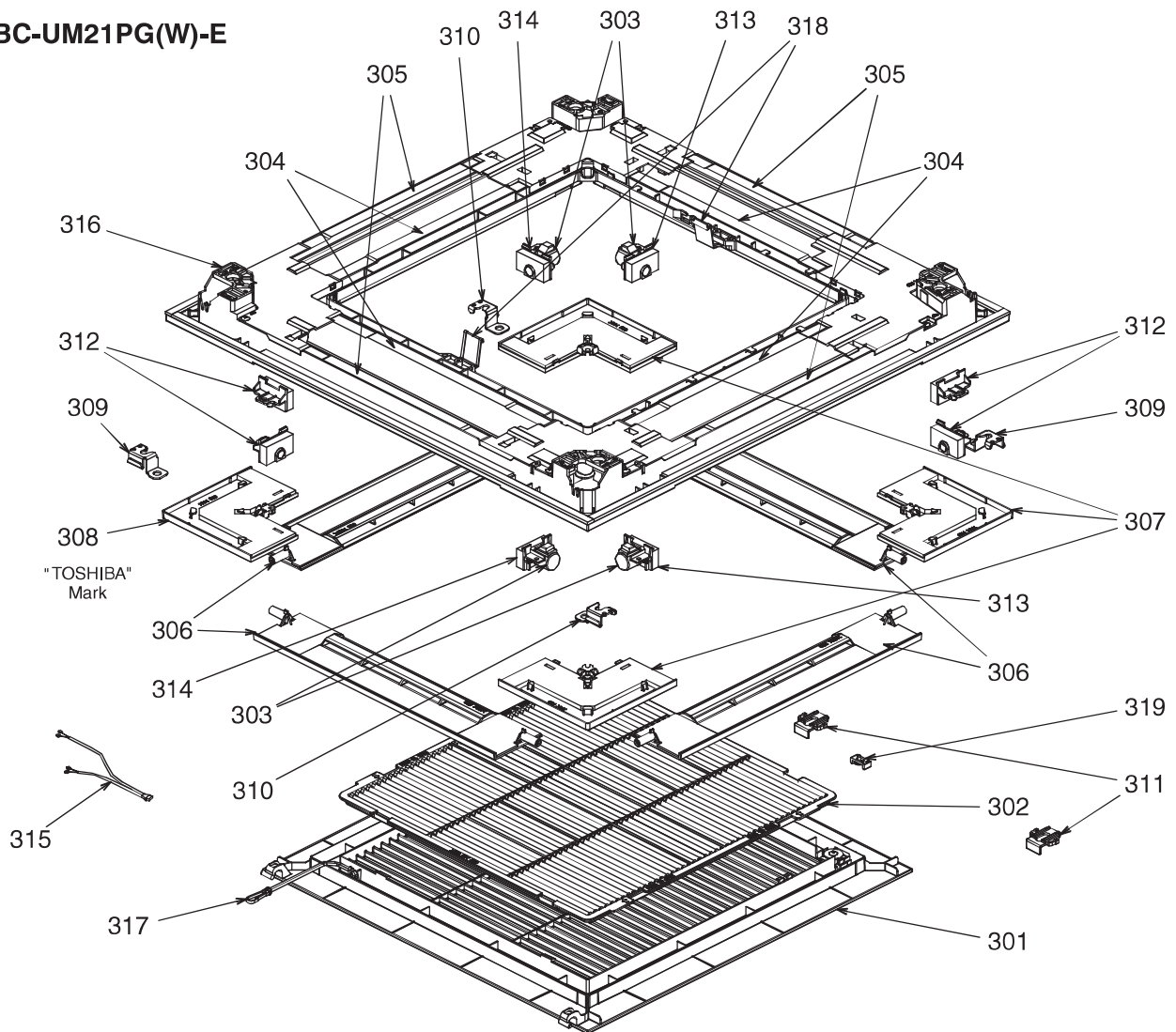
E-Parts



Location No.	Part No.	Description	Q'ty/Set
401	43050425	SENSOR ASSY, SERVICE, TC(F6)	2
402	43160565	TERMINAL BLOCK, 3P, 20A	1
403	43160560	TERMINAL, 2P	1
404	4316W053	PC BOARD ASSY, MCC-1643	1
405	43459017	PC BOARD ASSY, TCB-PCUC1E	1
406	43F50426	SENSOR, SERVICE, TA	1
407	43163057	CLAMP, DOWN	1
408	43163058	CLAMP, UP	1

◆ Ceiling panel

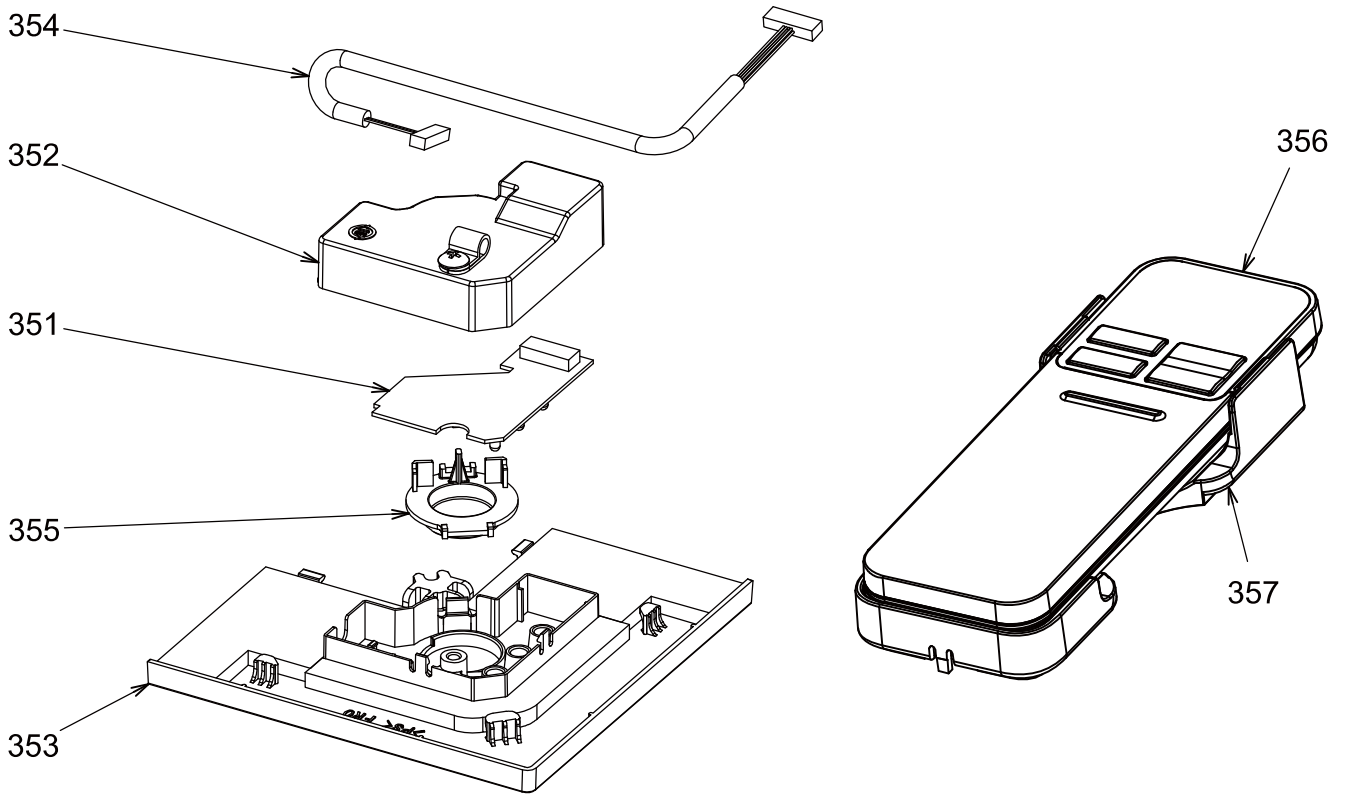
RBC-UM21PG(W)-E



Location No.	Part No.	Description	Q'ty/Set RBC-UM21PG(W)-E
301	43109441	GRILLE, AIR INLET	1
302	43180361	AIR FILTER	1
303	4342D001	MOTOR, LOUVER, MSBPC20F04	4
304	43107296	OUTLET, AIR FORM	4
305	43107297	OUTLET, AIR FORM	4
306	43122166	LOUVER ASSY	4
307	4310A142	COVER, PANEL ASSY	3
308	4310A143	COVER, PANEL ASSY	1
309	43107298	PLATE, FIX PANEL (A)	2
310	43107299	PLATE, FIX PANEL (B)	2
311	43107300	HOOK	2
312	43107301	CAP, AXIS	4
313	43107302	FIX, MOTOR ASSY	2
314	43107303	FIX, MOTOR ASSY	2
315	43160664	LEAD, MOTOR	1
316	4310A144	PANEL, HINS ASSY	1
317	43419022	STRING	1
318	43107304	HANGER	2
319	43107305	FIX, GRILLE	1

◆ Wireless remote controller kit

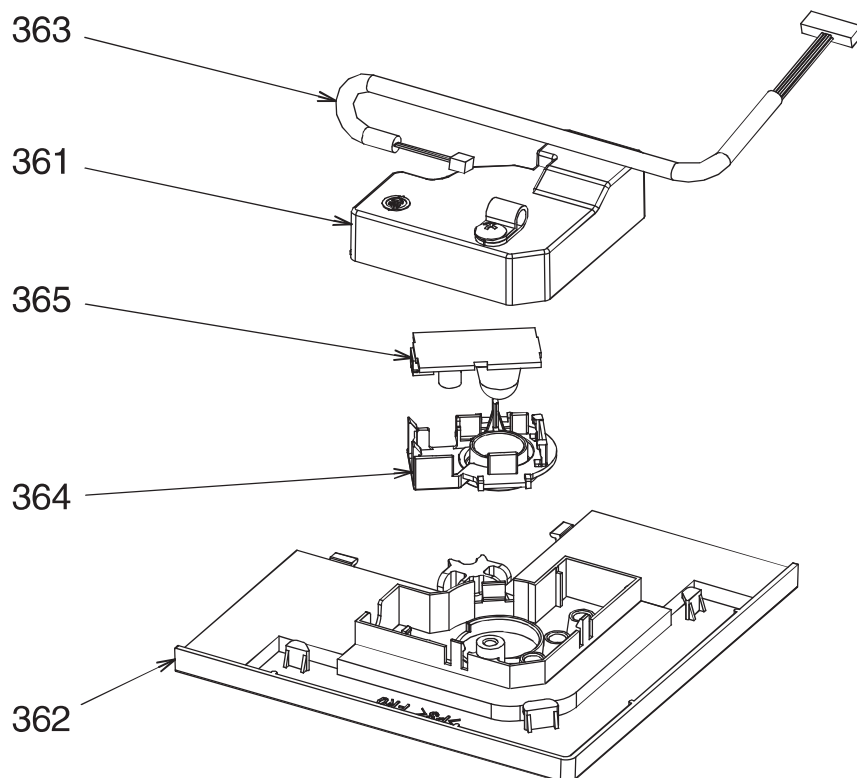
RBC-AXU31UM-E(TR)



Location No.	Part No.	Description	Q'ty/Set
351	4316V616	P.C. BOARD ASSY, REMOTE RECIEVER	1
352	43162103	COVER, WRS	1
353	43108036	COVER, PANEL WRS	1
354	43160665	LEAD	1
355	43108041	COVER, WIRELESS	1
356	43166041	REMOTE CONTROLLER, WIRELESS	1
357	43183036	HOLDER, REMOTE, CONTROLLER	1

◆ Occupancy sensor

TCB-SIR41UM-E



Location No.	Part No.	Description	Q'ty/Set TCB-SIR41UM-E
361	43162088	COVER, WRS	1
362	43108037	COVER, PANEL WRS	1
363	43160666	LEAD	1
364	43408062	COVER, SENSOR	1
365	43469067	THERMOSTAT	1