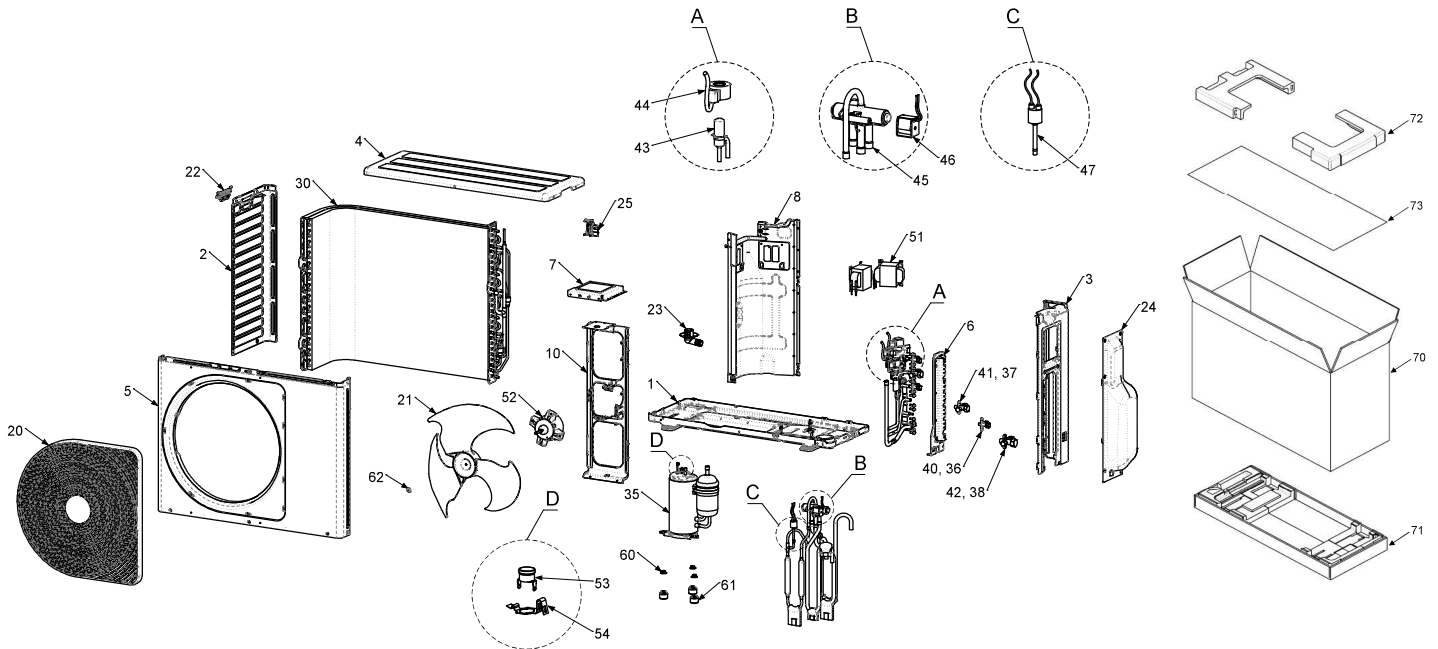


13. EXPLODED VIEWS AND PARTS LIST

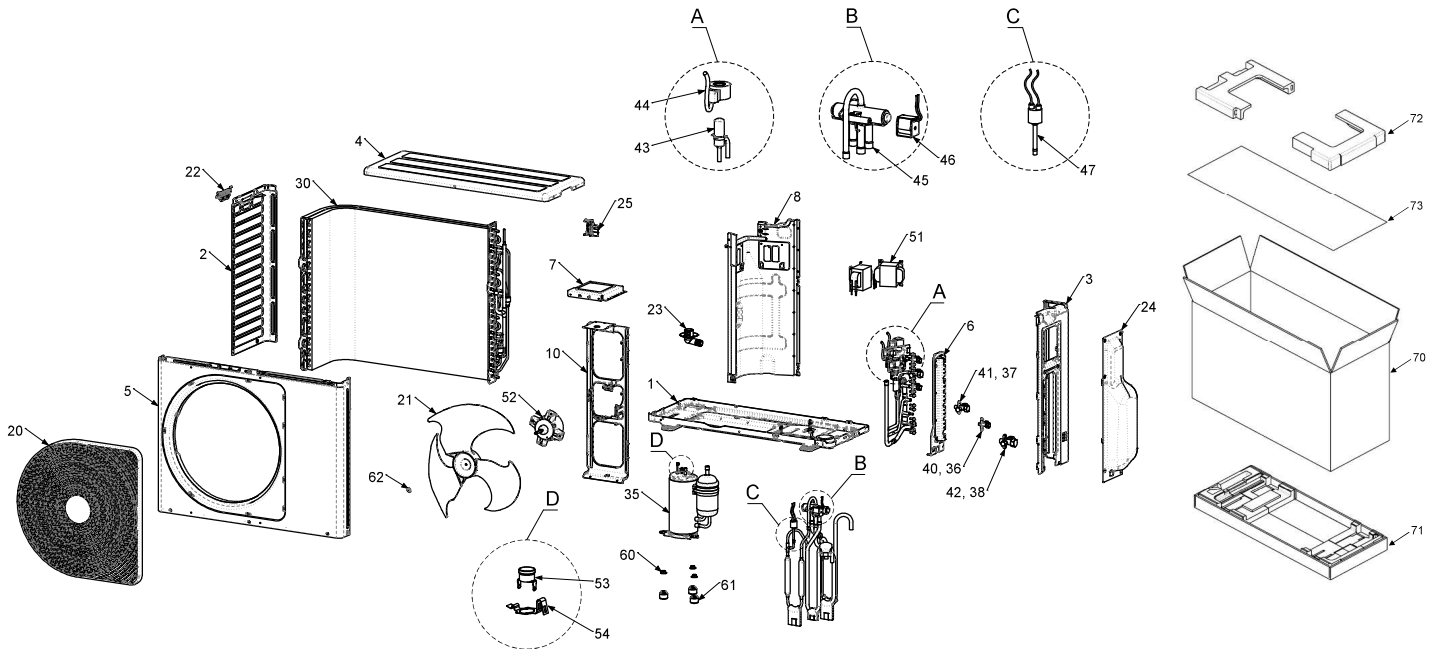
13-1. Outdoor Unit

RAS-2M14U2AVG-E,-TR



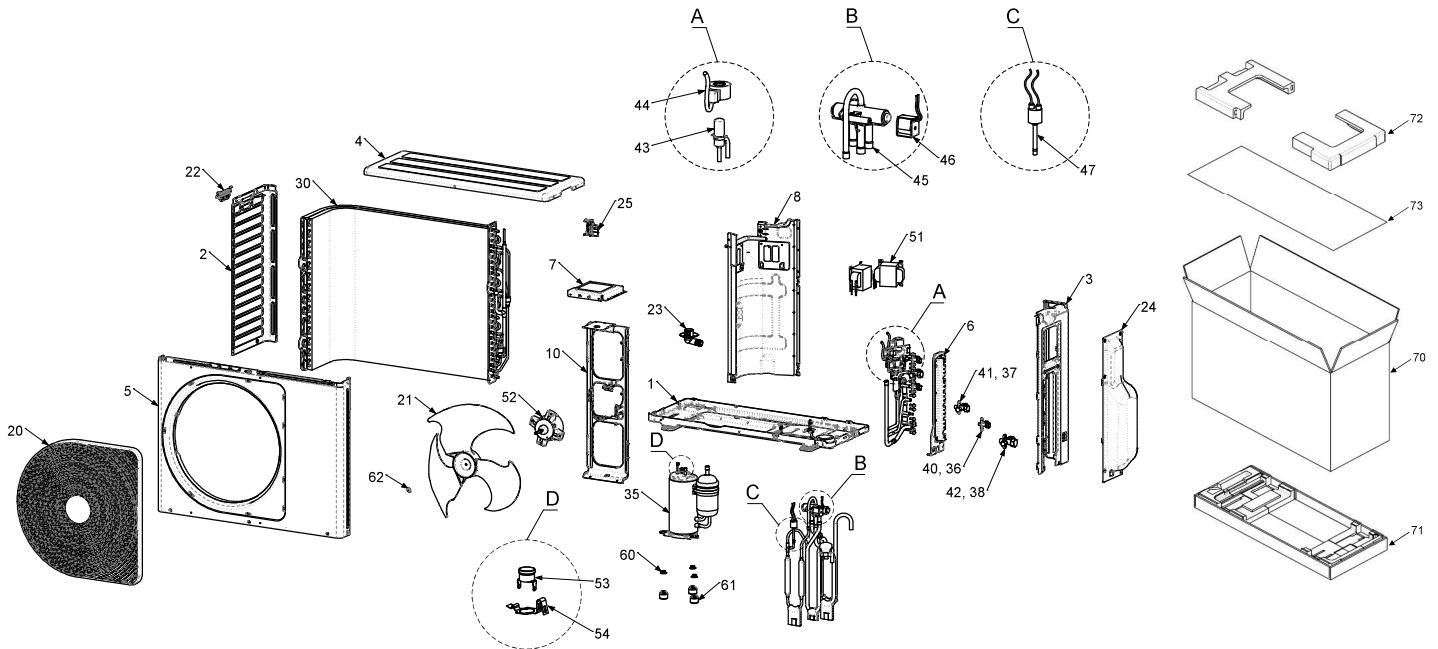
Location No.	Part No.	Description	Location No.	Part No.	Description
1	43T42345	BASE PLATE ASSEMBLY	37	43T47404	BONNET, 9.52 DIA
2	43T00560	LEFT CABINET	40	43T46358	VALVE;PACKED 6.35 DIA
3	43T00672	RIGHT SIDE CABINET ASSEMBLY	41	43T46366	VALVE;PACKED 9.52 DIA
4	43T00561	UPPER CABINET	43	43T46469	BODY PMV
5	43T00718	FRONT CABINET	44	43T63360	COIL PMV
6	43T02303	FIXING PLATE VALVE ASSEMBLY	45	43T46424	4 WAY VALVE
7	43T39363	MOTOR BASE CONNECTION PLATE	46	43046571	COIL-V-3WAY
8	43T04343	PARTITION ASSEMBLY	47	43T63381	HIGH PRESSURE SWITCH ASSEMBLY
10	43T39374	MOTOR BASE	51	43T58327	REACTOR
20	43T19371	FAN GUARD	52	43T21460	FAN MOTOR
21	43T20331	PROELLER FAN	60	43T97001	NUT
22	43T19350	HANDLE	61	43T49335	RUBBER CUSHION
23	43T79305	DRAIN NIPPLE	62	43T47001	NUT FLANGE
24	43T00673	PACKED VALVE COVER ASSEMBLY	70	43T91336	CARTON-BOX
25	43T63319	HOLDER,SENSOR	71	43T91348	FIBERBOARD UNDER ASSEMBLY
30	43T43583	CONDENSER ASSEMBLY	72	43T91337	CUSHION PACKING UPPER
35	43T41522	COMPRESSOR	73	43T91301	PE SHEET
36	43T47403	BONNET, 6.35 DIA			

13-2. Outdoor Unit
RAS-2M18U2AVG-E,-TR



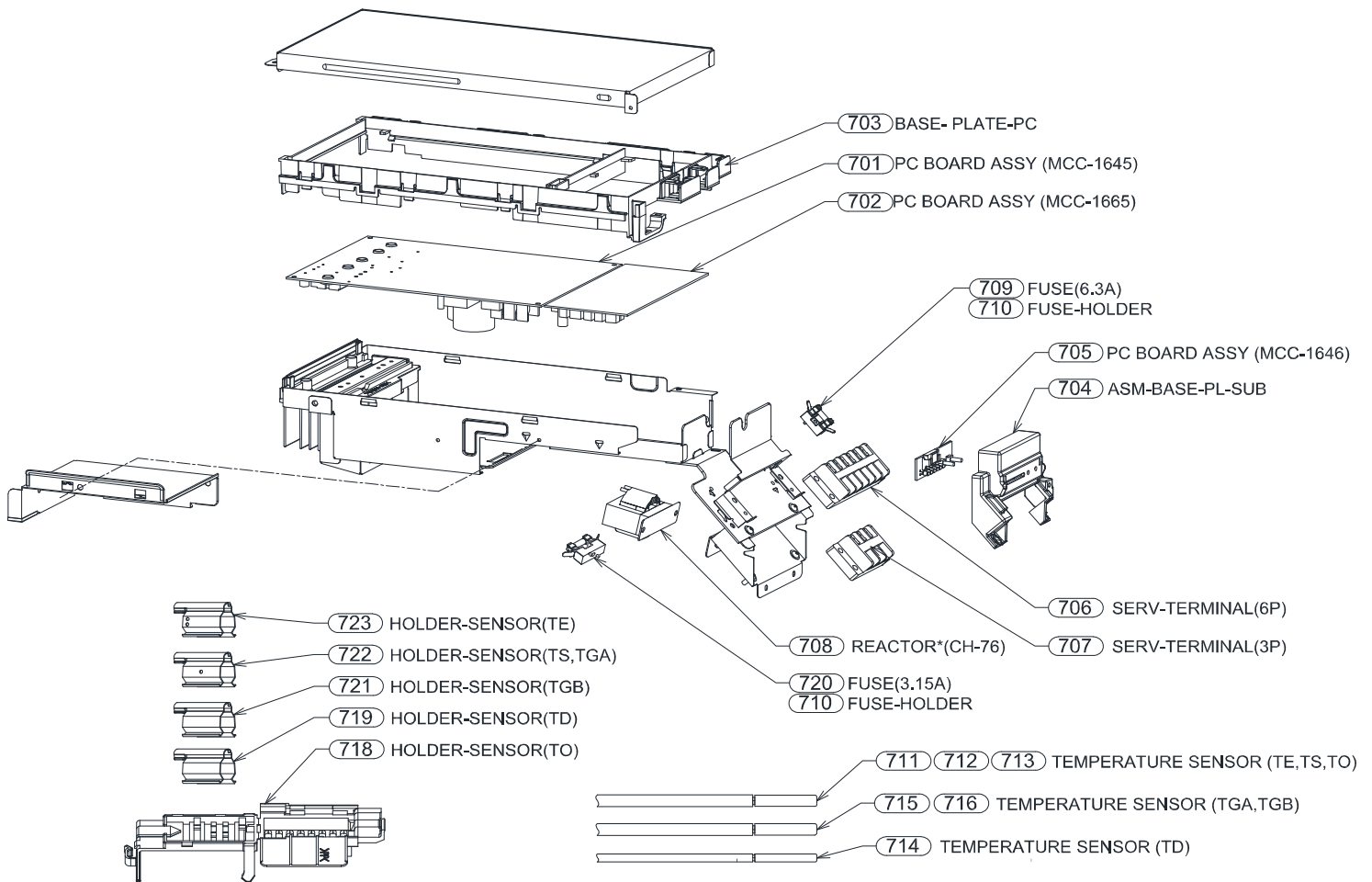
Location No.	Part No.	Description	Location No.	Part No.	Description
1	43T42345	BASE PLATE ASSEMBLY	40	43T46358	VALVE;PACKED 6.35 DIA
2	43T00560	LEFT CABINET	41	43T46366	VALVE;PACKED 9.52 DIA
3	43T00672	RIGHT SIDE CABINET ASSEMBLY	43	43T46469	BODY PMV
4	43T00561	UPPER CABINET	44	43T63360	COIL PMV
5	43T00718	FRONT CABINET	45	43T46424	4 WAY VALVE
6	43T02303	FIXING PLATE VALVE ASSEMBLY	46	43046571	COIL-V-3WAY
7	43T39363	MOTOR BASE CONNECTION PLATE	47	43T63381	HIGH PRESSURE SWITCH ASSEMBLY
8	43T04343	PARTITION ASSEMBLY	51	43T58327	REACTOR
10	43T39374	MOTOR BASE	52	43T21460	FAN MOTOR
20	43T19371	FAN GUARD	53	43T54319	BIMETAL-THERMO
21	43T20331	PROELLER FAN	54	43T50307	HOLDER-THERMO
22	43T19350	HANDLE	60	43T97001	NUT
23	43T79305	DRAIN NIPPLE	61	43T49335	RUBBER CUSHION
24	43T00673	PACKED VALVE COVER ASSEMBLY	62	43T47001	NUT FLANGE
25	43T63319	HOLDER, SENSOR	70	43T91336	CARTON-BOX
30	43T43583	CONDENSER ASSEMBLY	71	43T91348	FIBERBOARD UNDER ASSEMBLY
35	43T41534	COMPRESSOR	72	43T91337	CUSHION PACKING UPPER
36	43T47403	BONNET, 6.35 DIA	73	43T91301	PE SHEET
37	43T47404	BONNET, 9.52 DIA			

13-3. Outdoor Unit
RAS-3M18U2AVG-E,-TR



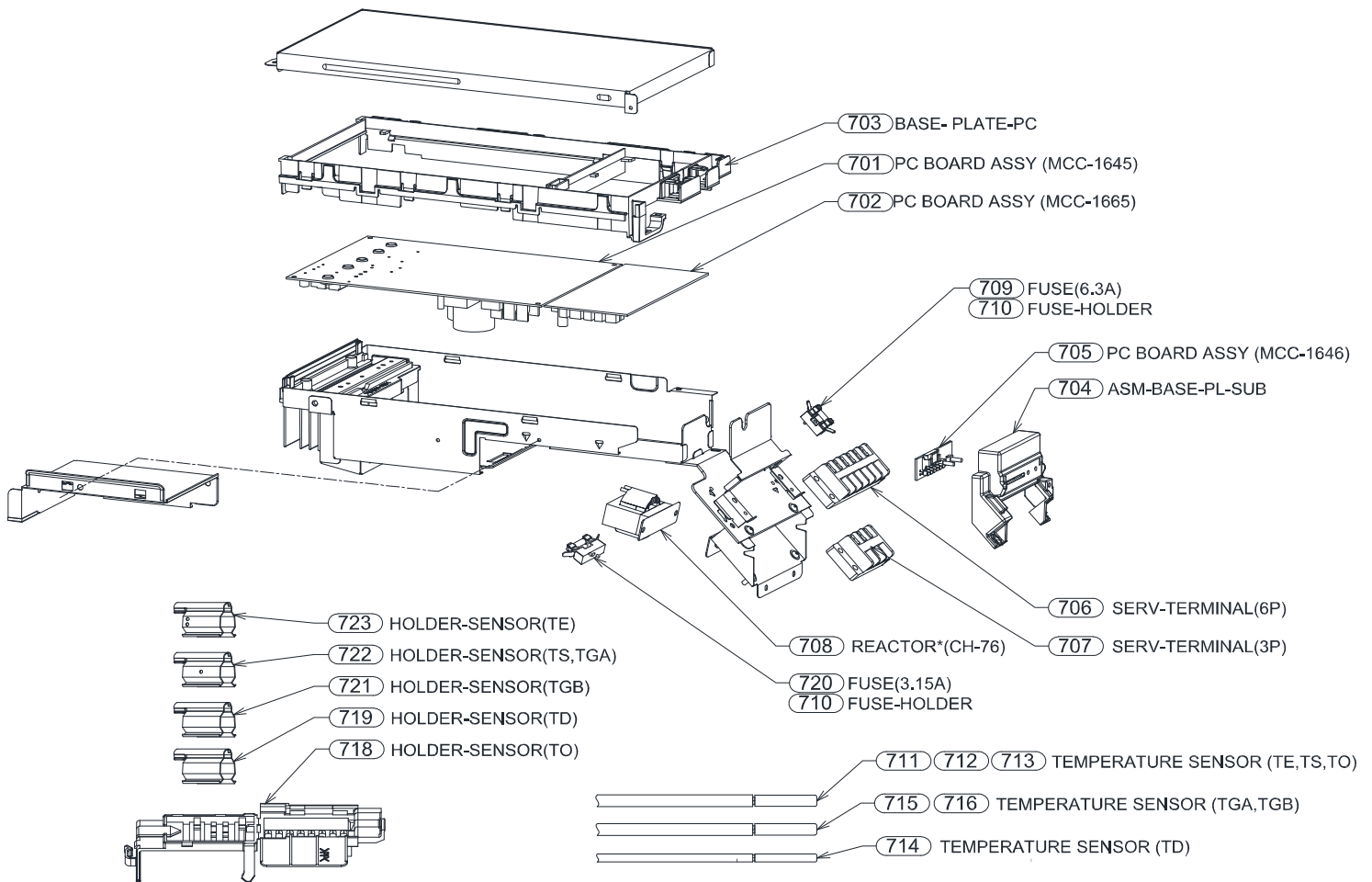
Location No.	Part No.	Description	Location No.	Part No.	Description
1	43T42345	BASE PLATE ASSEMBLY	40	43T46358	VALVE;PACKED 6.35 DIA
2	43T00560	LEFT CABINET	41	43T46366	VALVE;PACKED 9.52 DIA
3	43T00672	RIGHT SIDE CABINET ASSEMBLY	42	43T46374	VALVE;PACKED 12.7DIA(H4) BODY
4	43T00561	UPPER CABINET	43	43T46469	PMV
5	43T00718	FRONT CABINET	44	43T63360	COIL PMV
6	43T02303	FIXING PLATE VALVE ASSEMBLY	45	43T46424	4 WAY VALVE
7	43T39363	MOTOR BASE CONNECTION PLATE	46	43046571	COIL-V-3WAY
8	43T04343	PARTITION ASSEMBLY	47	43T63381	HIGH PRESSURE SWITCH ASSEMBLY
10	43T39374	MOTOR BASE	51	43T58327	REACTOR
20	43T19371	FAN GUARD	52	43T21460	FAN MOTOR
21	43T20331	PROELLER FAN	53	43T54319	BIMETAL-THERMO
22	43T19350	HANDLE	54	43T50307	HOLDER-THERMO
23	43T79305	DRAIN NIPPLE	60	43T97001	NUT
24	43T00673	PACKED VALVE COVER ASSEMBLY	61	43T49335	RUBBER CUSHION
25	43T63319	HOLDER, SENSOR	62	43T47001	NUT FLANGE
30	43T43583	CONDENSER ASSEMBLY	70	43T91336	CARTON-BOX
35	43T41534	COMPRESSOR	71	43T91348	FIBERBOARD UNDER ASSEMBLY
36	43T47403	BONNET, 6.35 DIA	72	43T91337	CUSHION PACKING UPPER
37	43T47404	BONNET, 9.52 DIA	73	43T91301	PE SHEET
38	43T47405	BONNET, 12.7 DIA			

13-4. Inverter Assembly
RAS-2M14U2AVG-E,-TR



Location No.	Part No.	Description	Location No.	Part No.	Description
701	43T6W305	PCB BOARD ASSY	712	43T50353	TEMPERATURE SENSOR
702	43T6W312	PCB BOARD ASSY	713	43T50360	TC-SENSOR(TO)
703	43T61325	BASE,PC BORAD	714	43T50334	TEMPERATURE SENSOR
704	43T61320	BASE, PC BOARD	715	43T50361	SENSOR-TEMP
705	43T6V418	PC BOARD ASSY(MCC-1646)-LED	716	43T50362	SENSOR-TEMP
706	43T60423	SERV-TERMINAL	718	43T63319	HOLDER,SENSOR
707	43T60427	TERMINAL BLOCK	719	43T63317	HOLDER,SENSOR
708	43T58341	REACTOR	720	43T60361	FUSE
709	43T60426	FUSE	721	43T63316	HOLDER,SENSOR
710	43T60425	FUSE HOLDER	722	43T63323	HOLDER,SENSOR
711	43T50352	TEMPERATURE SENSOR	723	43T63318	HOLDER SENSOR

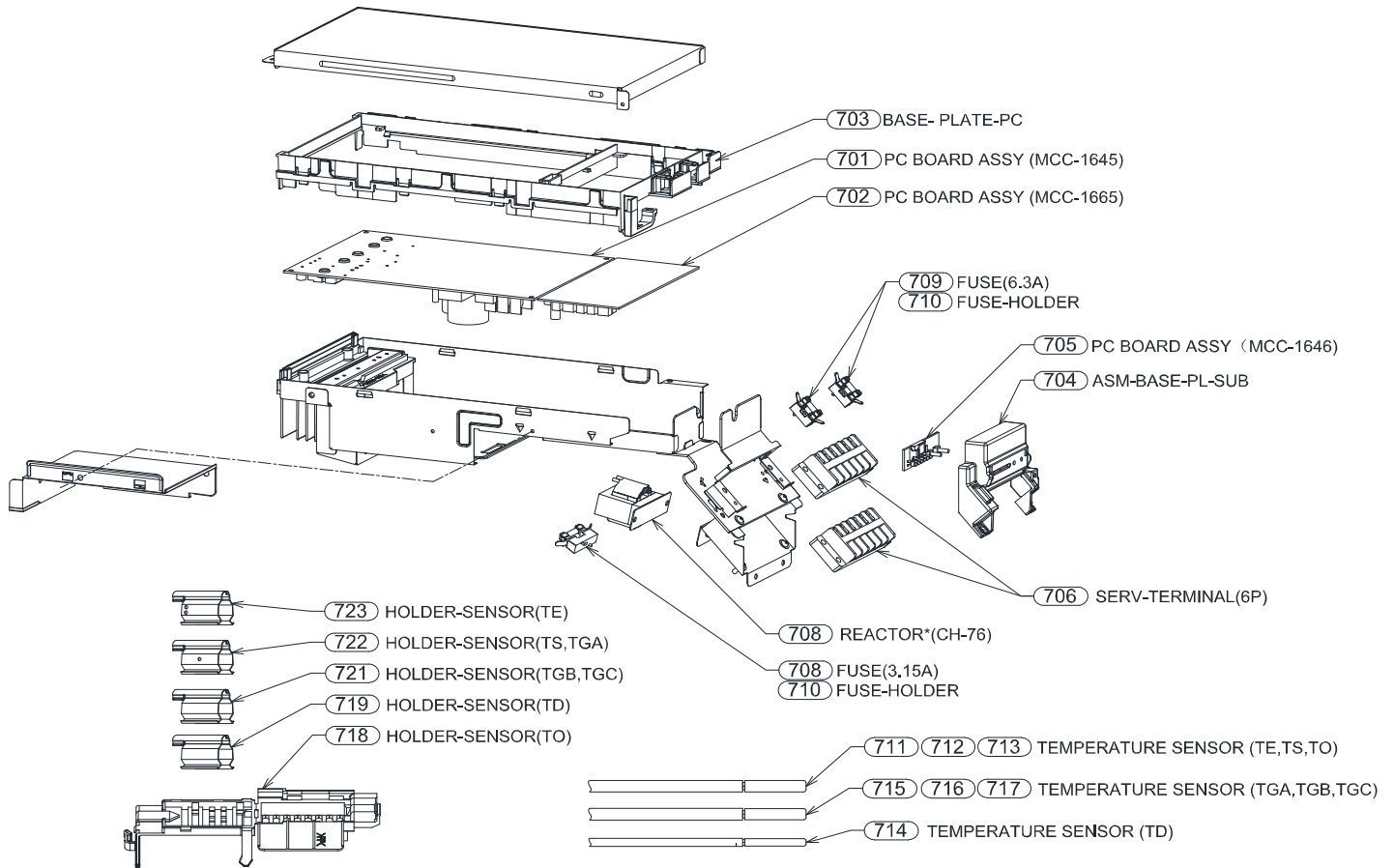
13-5. Inverter Assembly
RAS-2M18U2AVG-E,-TR



Location No.	Part No.	Description	Location No.	Part No.	Description
701	43T6W304	PCB BOARD ASSY	712	43T50353	TEMPERATURE SENSOR
702	43T6W311	PCB BOARD ASSY	713	43T50360	TC-SENSOR
703	43T61325	BASE,PC BORAD	714	43T50334	TEMPERATURE SENSOR
704	43T61320	BASE, PC BOARD	715	43T50361	SENSOR-TEMP
705	43T6V418	PC BOARD ASSY(MCC-1646)-LED	716	43T50362	SENSOR-TEMP
706	43T60423	SERV-TERMINAL	718	43T63319	HOLDER,SENSOR
707	43T60427	TERMINAL BLOCK	719	43T63317	HOLDER,SENSOR
708	43T58341	REACTOR	720	43T60361	FUSE
709	43T60426	FUSE	721	43T63316	HOLDER,SENSOR
710	43T60425	FUSE HOLDER	722	43T63323	HOLDER,SENSOR
711	43T50352	TEMPERATURE SENSOR	723	43T63318	HOLDER SENSOR

13-6. Inverter Assembly

RAS-3M18U2AVG-E,-TR



Location No.	Part No.	Description	Location No.	Part No.	Description
701	43T6W304	PCB BOARD ASSY	713	43T50360	TC-SENSOR(TO)
702	43T6W310	PCB BOARD ASSY	714	43T50334	TEMPERATURE SENSOR
703	43T61325	BASE,PC BORAD	715	43T50361	SENSOR-TEMP
704	43T61320	BASE, PC BOARD	716	43T50362	SENSOR-TEMP
705	43T6V418	PC BOARD ASSY(MCC-1646)-LED	717	43T50363	SENSOR-TEMP
706	43T60423	SERV-TERMINAL	718	43T63319	HOLDER,SENSOR
708	43T58341	REACTOR	719	43T63317	HOLDER,SENSOR
709	43T60426	FUSE	720	43T60361	FUSE
710	43T60425	FUSE HOLDER	721	43T63316	HOLDER,SENSOR
711	43T50352	TEMPERATURE SENSOR	722	43T63323	HOLDER,SENSOR
712	43T50353	TEMPERATURE SENSOR	723	43T63318	HOLDER SENSOR