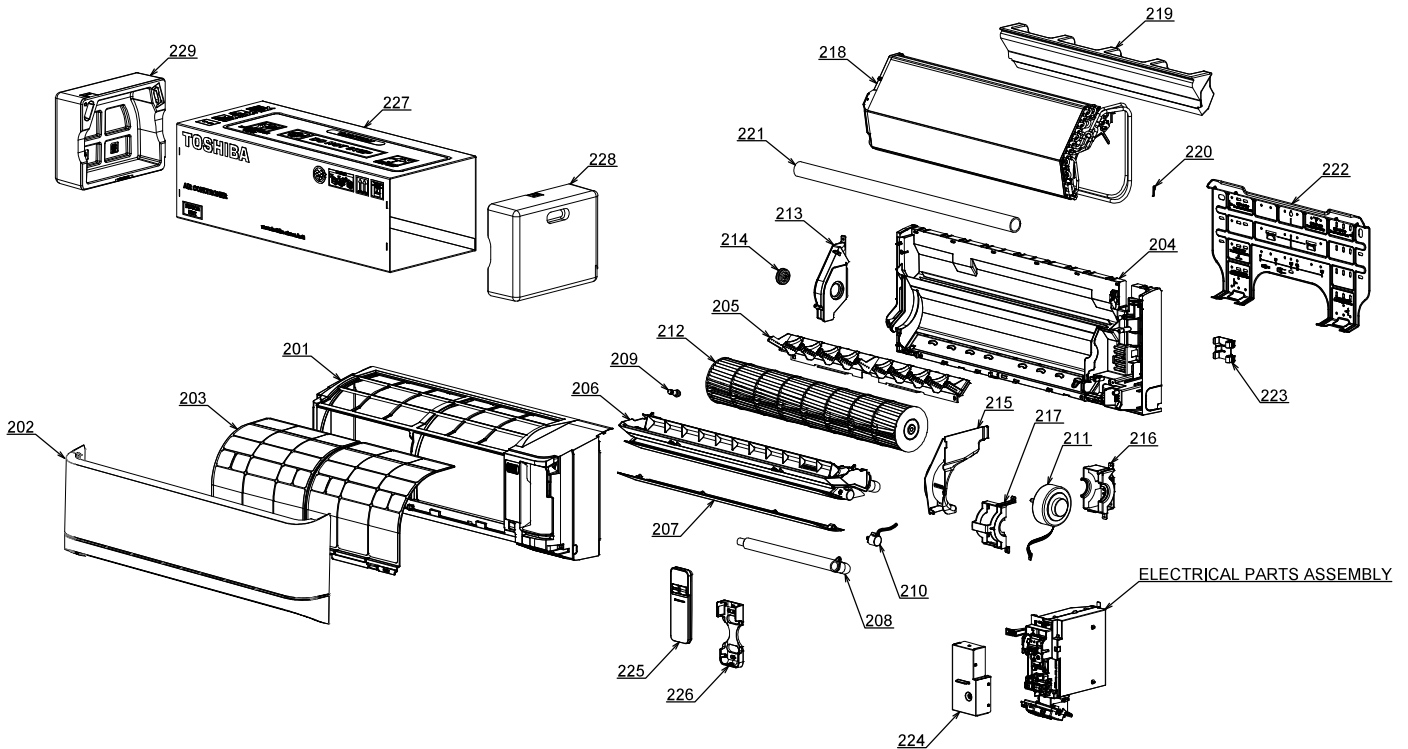


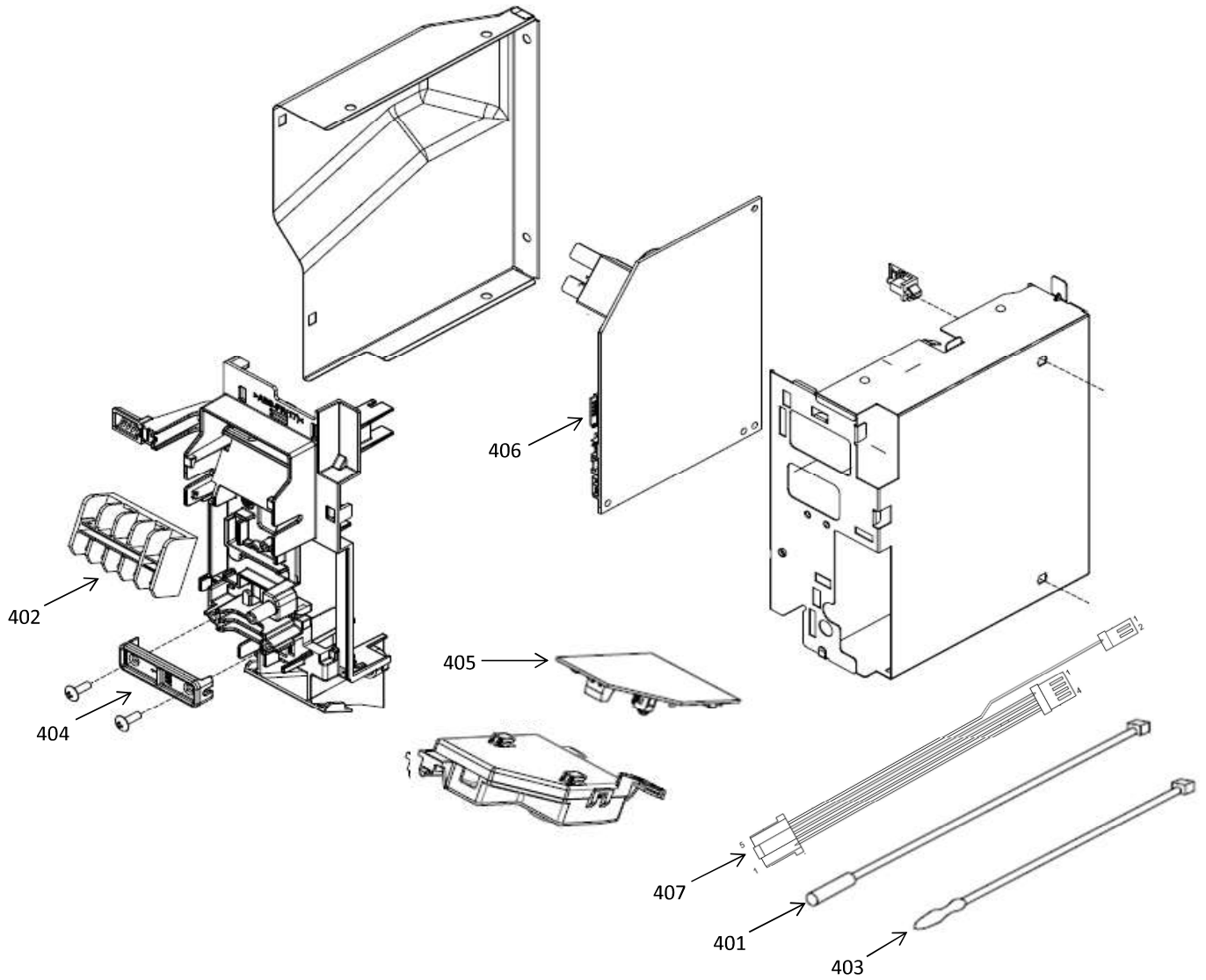
13. EXPLODED VIEWS AND PARTS LIST

13-1. Indoor Unit



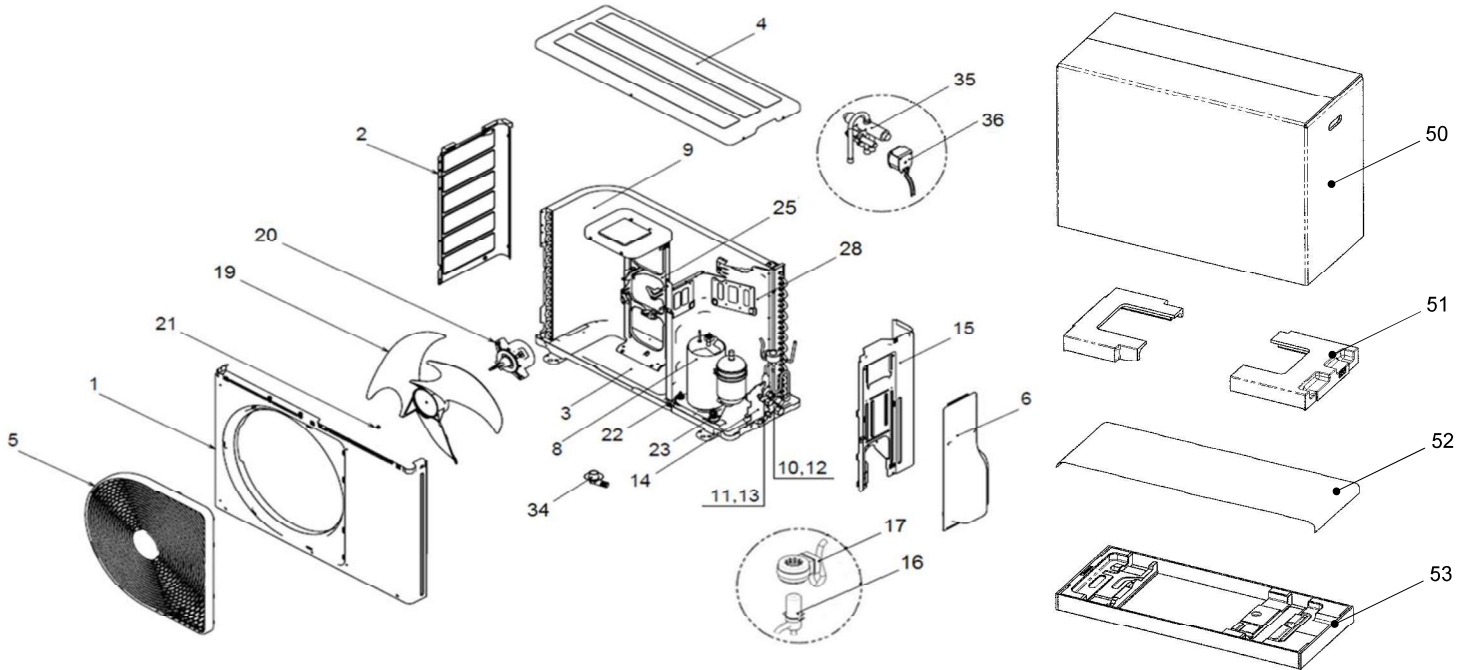
Location No.	Part No.	Description	Location No.	Part No.	Description
201	43T00720	FRONT PANEL ASSY	217	43T39369	MOTOR BAND FRONT (RAS-10PKVSG-E)
202	43T09537	GRILLE OF AIR INLET ASSY	218	43T44559	REFRIGERATION CYCLE ASSY (RAS-10PKVSG-E)
203	43T80349	AIR FILTER	218	43T44583	REFRIGERATION CYCLE ASSY (RAS-13PKVSG-E)
204	43T03398	BACK BODY ASSY	218	43T44558	REFRIGERATION CYCLE ASSY (RAS-16PKVSG-E)
205	43T22343	VERTICAL LOUVER ASSY	219	43T39370	EVAPORATOR HINS SEAL (only RAS-10PKVSG-E)
206	43T72325	DRAIN PAN ASSY (RAS-10PKVSG-E)	220	43T19333	HOLDER, SENSOR
206	43T72330	DRAIN PAN ASSY (RAS-13, 16PKVSG-E)	221	43T49359	PIPE, SHIELD
207	43T22345	HORIZONTAL LOUVER	222	43T82332	INSTALLATION PLATE
208	43T70321	DRAIN HOSE	223	43T49368	PIPE HOLDER
209	43T79322	DRAIN CAP	224	43T62360	TERMINAL COVER ASSY
210	43T21461	STEPPING MOTOR	225	43T66360	WIRELESS REMOTE CONTROL
211	43T21449	MOTOR FAN (RAS-13,16PKVSG-E)	226	43T83305	HOLDER, REMOTE CONTROL
211	43T21462	MOTOR FAN (RAS-10PKVSG-E)	227	43T91305	PACKING SLEEVE
212	43T20344	CROSS FLOW FAN ASSY	228	43T91306	PACKING CUSHION RIGHT
213	43T39365	BASE BEARING	229	43T91307	PACKING CUSHION LEFT
214	43T22312	BEARING ASSY, MOLD			
215	43T39364	MOTOR COVER			
216	43T39366	MOTOR BAND BACK(RAS-13,16PKVSG-E)			
216	43T39368	MOTOR BAND BACK(RAS-10PKVSG-E)			
217	43T39367	MOTOR BAND FRONT(RAS-13,16PKVSG-E)			

13-2. Indoor Unit (Part-E)
RAS-10PKVSG-E
RAS-13PKVSG-E
RAS-16PKVSG-E



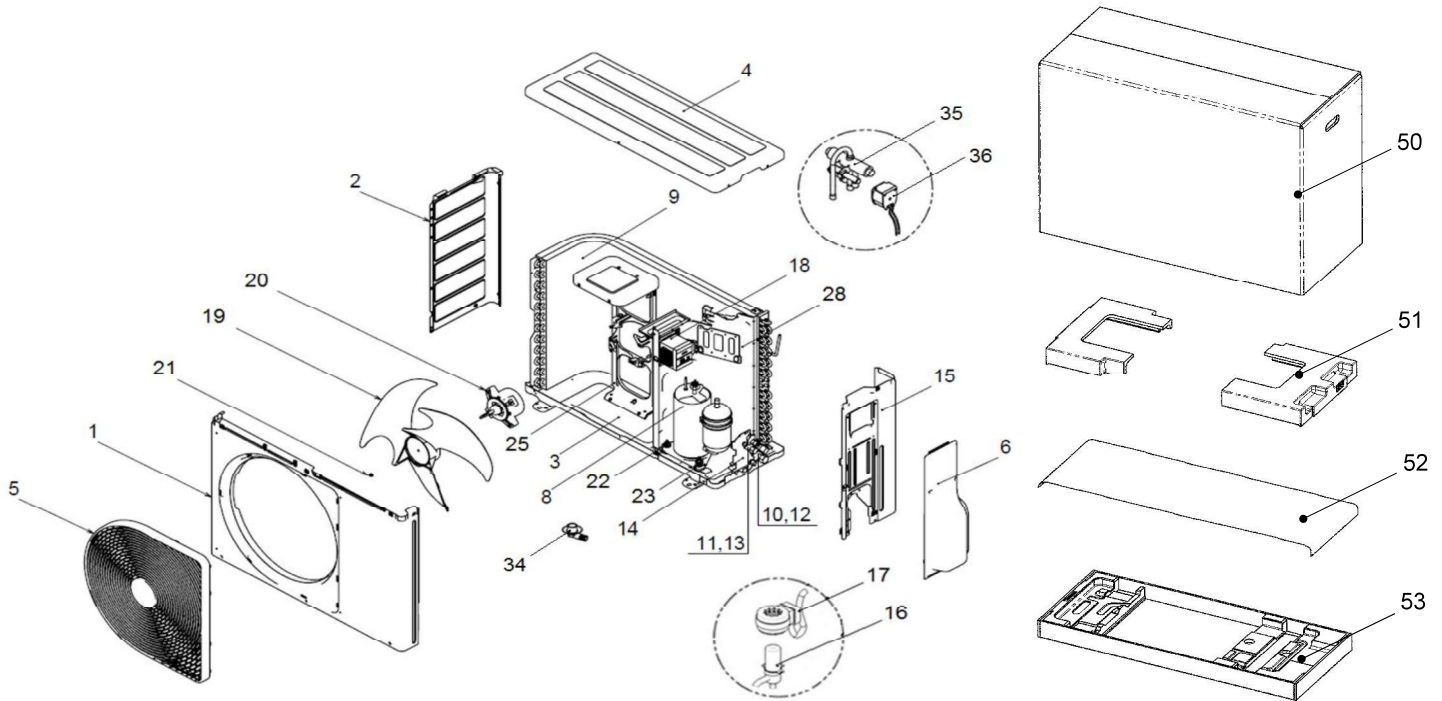
Location No.	Part No.	Description	Location No.	Part No.	Description
401	43T69319	TEMPERATURE SENSOR	406	43T6V891	PC BOARD (RAS-10PKVSG-E)
402	43T6V673	TERMINAL(5P-TF)	406	43T6V892	PC BOARD (RAS-13PKVSG-E)
403	43T6V674	TEMPERATURE SENSOR	406	43T6V893	PC BOARD (RAS-16PKVSG-E)
404	43T62340	CORD-CLAMP	407	43T60480	HOUSING-WiFi
405	43T6V887	PC BOARD ASSY:WRS-LED			

13-3. Outdoor Unit
RAS-10, 13PAVSG-E



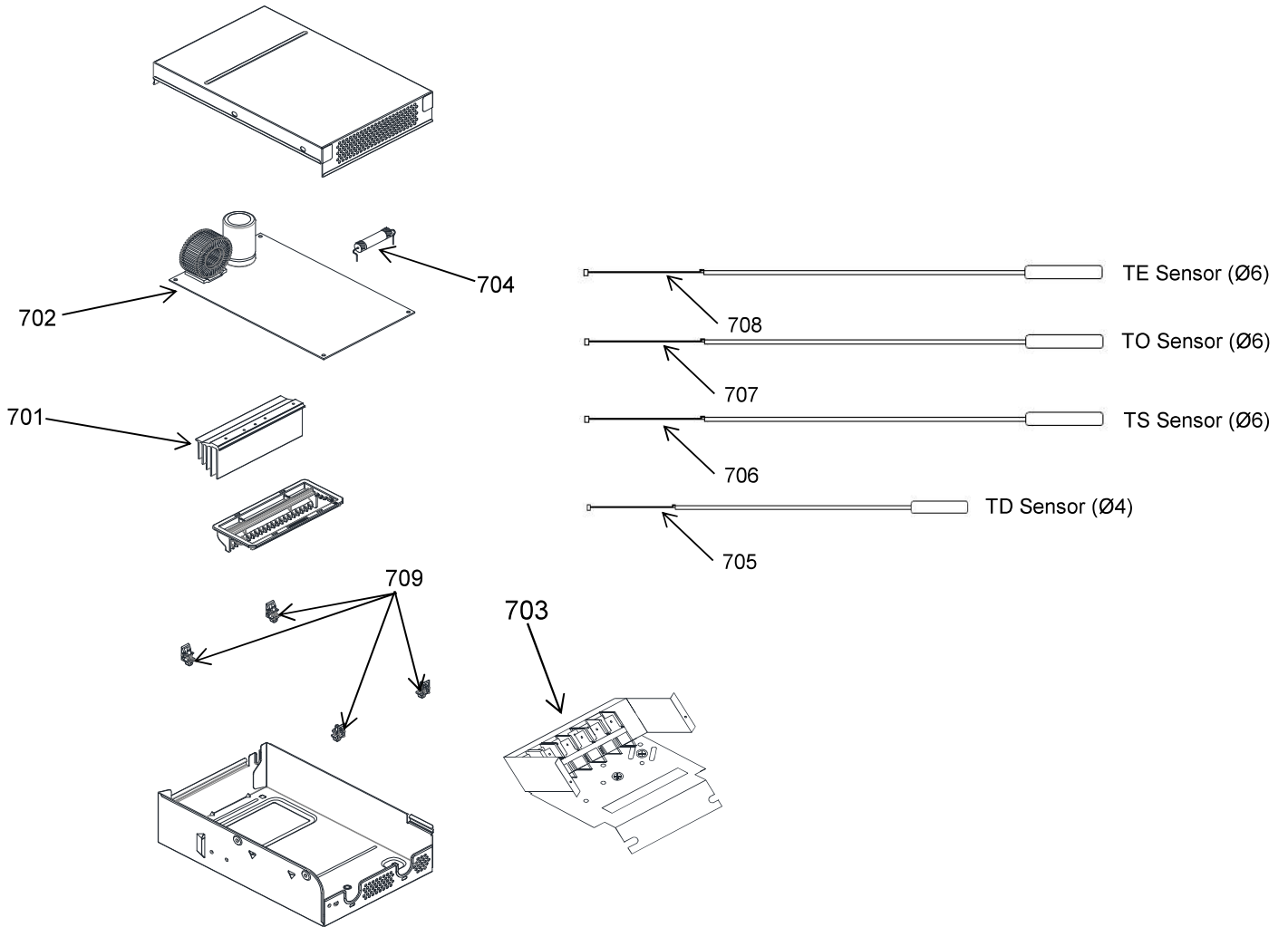
Location No.	Part No.	Description	Location No.	Part No.	Description
1	43T00689	FRONT CABINET ASSEMBLY	20	43T21460	FAN MOTOR
2	43T00459	LEFT CABINET	21	43T47001	NUT FLANGE
3	43T42327	BASE PLATE ASSEMBLY	22	43T97001	NUT
4	43T00692	UPPER CABINET ASSEMBLY	23	43T49327	CUSHION,RUBBER
5	43T19364	FAN GUARD	24	43T63319	HOLDER,SENSOR
6	43T00691	PACKED VALVE COVER ASSEMBLY	25	43T39333	MOTOR BASE CONNECTION PLATE
8	43T41521	COMPRESSOR	26	43T63317	HOLDER,SENSOR
9	43T43559	CONDENSER ASSEMBLY (RAS-10PAVSG-E)	27	43T63316	HOLDER,SENSOR
9	43T43560	CONDENSER ASSEMBLY (RAS-13PAVSG-E)	28	43T04340	PARTITION ASSEMBLY (RAS-10PAVSG-E)
10	43T46435	VALVE; PACKED 6.35 DIA	28	43T04330	PARTITION ASSEMBLY (RAS-13PAVSG-E)
11	43T46436	VALVE; PACKED 9.52 DIA	33	43T63318	HOLDER SENSOR
12	43T47331	BONNET, 6.35 DIA	34	43T79305	DRAIN NIPPLE
13	43T47332	BONNET, 9.52 DIA	35	43T46367	4 WAY VALVE
14	43T00448	FIXING PLATE VALVE	36	43T63327	COIL-4WAY
15	43T00690	RIGHT CABINET ASSEMBLY	50	43T91312	CARTON BOX
16	43T46469	BODY PMV	51	43T91314	CUSHION-PKG-UPR
17	43T63360	COIL PMV	52	43T91301	PE SHEET
19	43T20319	PROPELLER FAN	53	43T91309	ASM-FBBD-UD

**13-4. Outdoor Unit
RAS-16PAVSG-E**



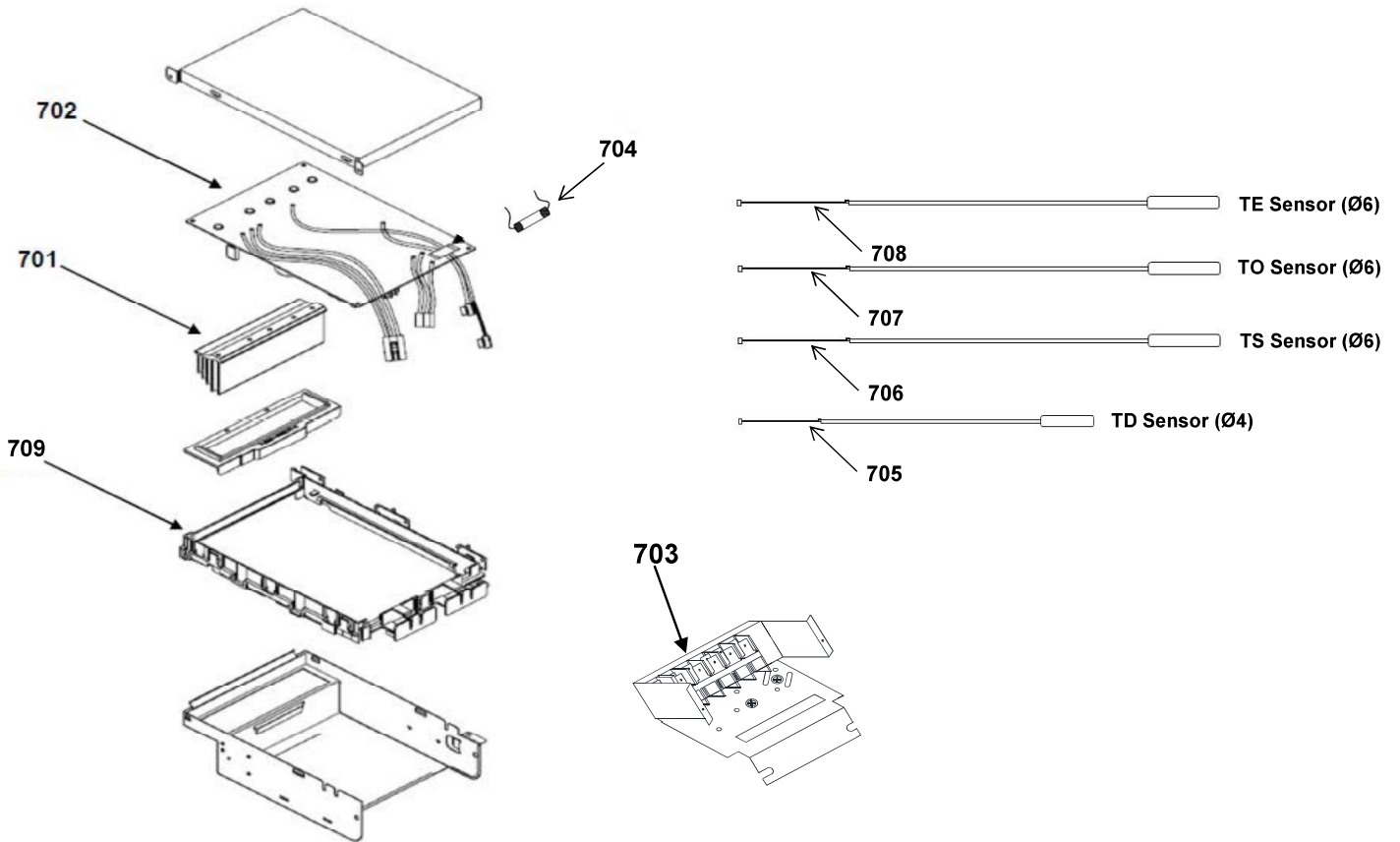
Location No.	Part No.	Description	Location No.	Part No.	Description
1	43T00688	FRONT CABINET ASSEMBLY	20	43T21460	FAN MOTOR
2	43T00459	LEFT CABINET	21	43T47001	NUT FLANGE
3	43T42327	BASE PLATE ASSEMBLY	22	43T97001	NUT
4	43T00452	UPPER CABINET	23	43T49327	CUSHION,RUBBER
5	43T19364	FAN GUARD	24	43T63319	HOLDER,SENSOR
6	43T00691	PACKED VALVE COVER ASSEMBLY	25	43T39333	MOTOR BASE CONNECTION PLATE
8	43T41500	COMPRESSOR	26	43T63317	HOLDER,SENSOR
9	43T43545	CONDENSER ASSEMBLY	27	43T63316	HOLDER,SENSOR
10	43T46435	VALVE; PACKED 6.35 DIA	28	43T04331	PARTITION ASSEMBLY
11	43T46461	VALVE; PACKED 12.7 DIA	33	43T63318	HOLDER SENSOR
12	43T47331	BONNET, 6.35 DIA	34	43T79305	DRAIN NIPPLE
13	43T47333	BONNET, 12.70 DIA	35	43T46470	4 WAY VALVE
14	43T00448	FIXING PLATE VALVE	36	43T63361	4 WAY VALVE COIL
15	43T00690	RIGHT CABINET ASSEMBLY	50	43T91312	CARTON BOX
16	43T46469	BODY PMV	51	43T91314	CUSHION-PKG-UPR
17	43T63360	COIL PMV	52	43T91301	PE SHEET
18	43T58306	REACTOR	53	43T91309	ASM-FBBD-UD
19	43T20319	PROPELLER FAN			

13-5. Outdoor Unit (Part-E)
RAS-10PAVSG-E
RAS-13PAVSG-E



Location No.	Part No.	Description	Location No.	Part No.	Description
701	43T67306	HEATSINK	705	43T50369	TEMPERATURE SENSOR (THAILAND)
702	43T6V898	PC BOARD (RAS-10PAVSG-E)	706	43T50336	TEMPERATURE SENSOR (THAILAND)
702	43T6V899	PC BOARD (RAS-13PAVSG-E)	707	43T50370	TEMPERATURE SENSOR (THAILAND)
703	43T60392	TERMINAL-5P	708	43T50371	TEMPERATURE SENSOR (THAILAND)
704	43T60459	FUSE	709	43T95304	SPACER-KGES

**13-6. Outdoor Unit (Part-E)
RAS-16PAVSG-E**



Location No.	Part No.	Description	Location No.	Part No.	Description
701	43T62351	HEATSINK	706	43T50336	TEMPERATURE SENSOR (THAILAND)
702	43T6V894	PC BOARD	707	43T50370	TEMPERATURE SENSOR (THAILAND)
703	43T60392	TERMINAL-5P	708	43T50371	TEMPERATURE SENSOR (THAILAND)
704	43T60326	FUSE	709	43T62313	PC PLATE BASE
705	43T50369	TEMPERATURE SENSOR (THAILAND)			