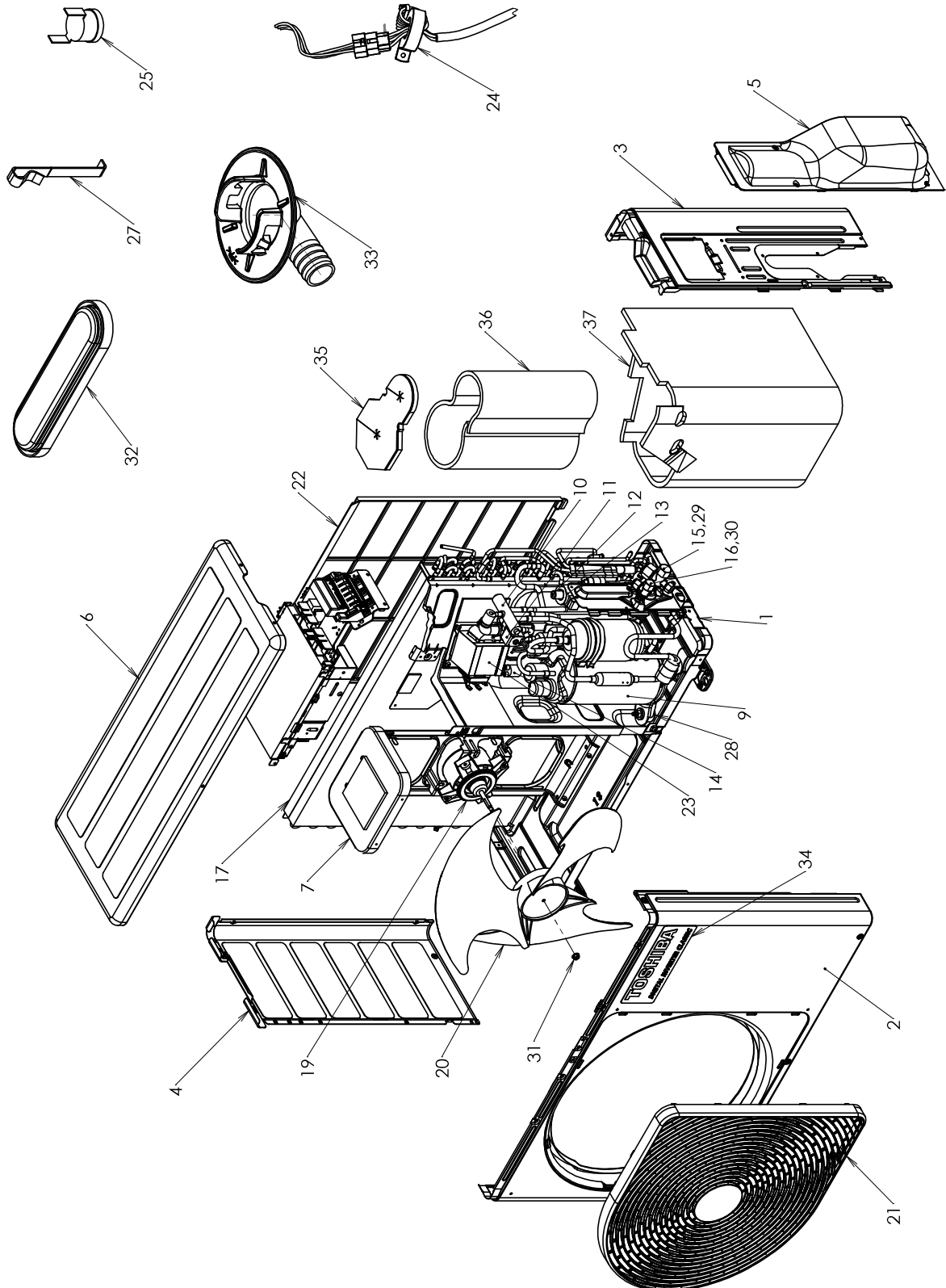


14. EXPLODED VIEWS AND PARTS LIST

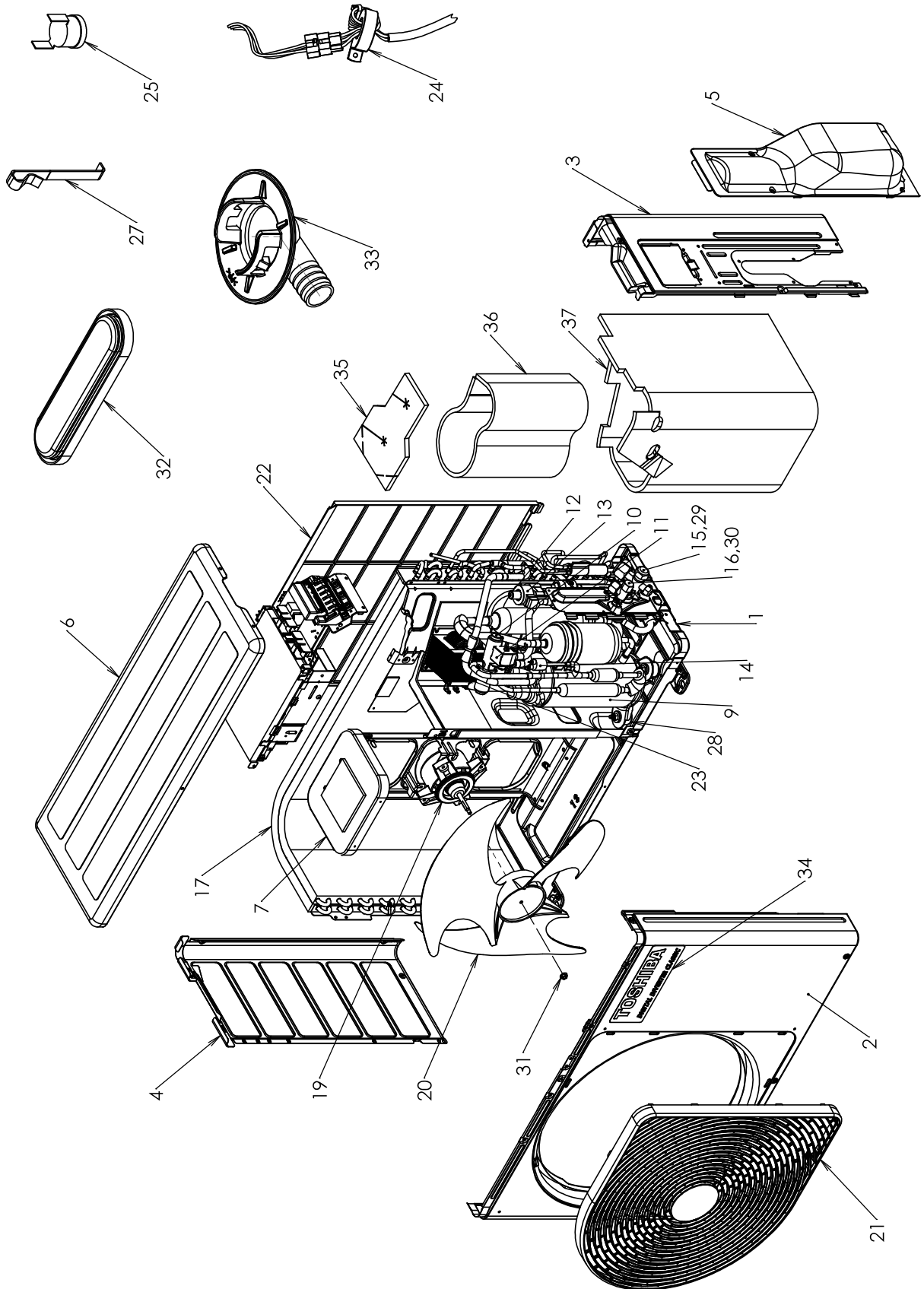
Outdoor Unit

RAV-GV561ATP-E, RAV-GV561ATP-TR



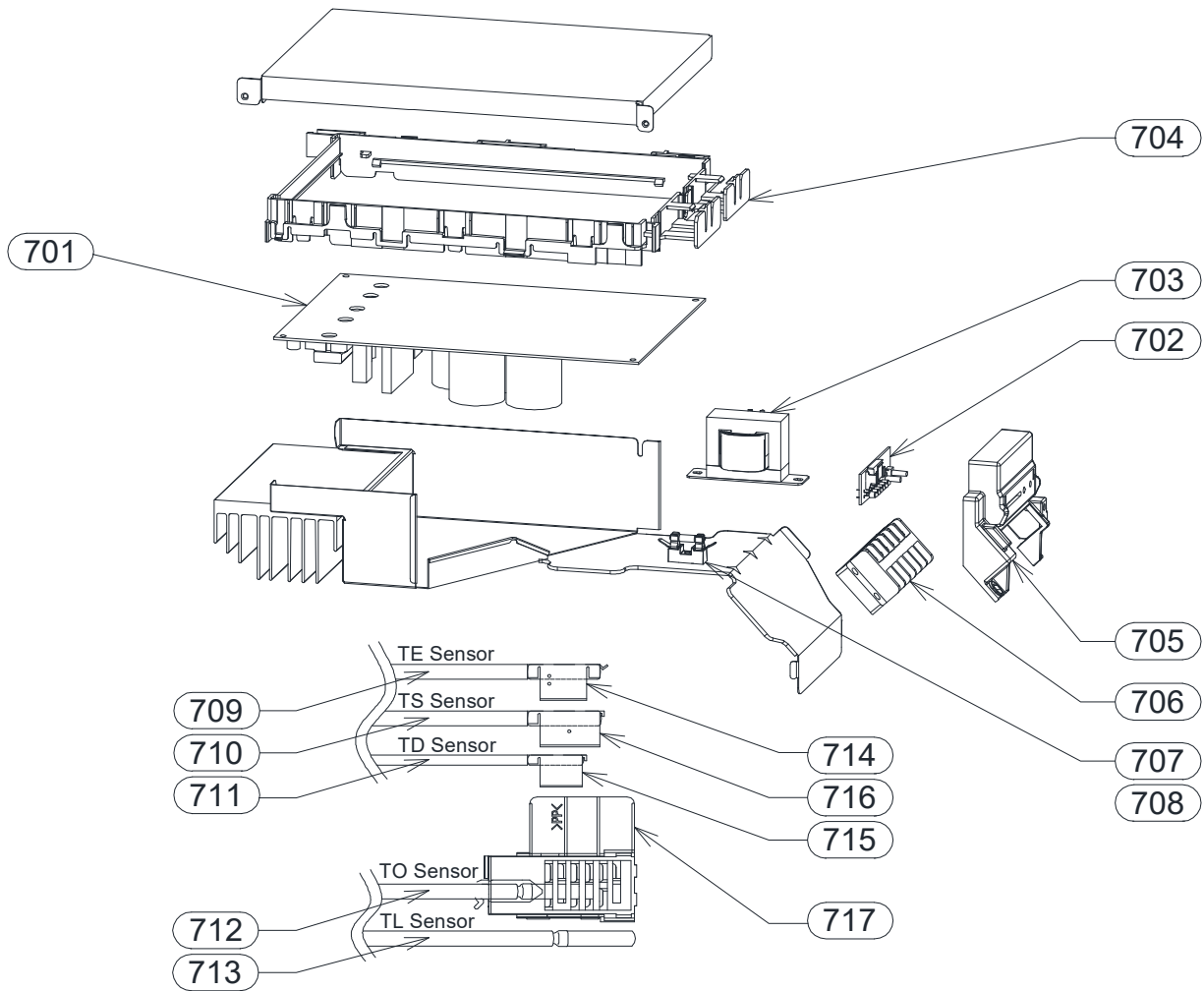
| Location No. | Part No. | Description | Model name | |
|--------------|----------|------------------------|----------------|-----------------|
| | | | RAV-GV561ATP-E | RAV-GV561ATP-TR |
| 1 | 43T42387 | BASE COATING ASSEMBLY | 1 | 1 |
| 2 | 43T00605 | ASM-CABI-F-S | 1 | 1 |
| 3 | 43T00599 | ASM-CABI-SIDE-R | 1 | 1 |
| 4 | 43T00603 | ASM-COAT-C-S-L | 1 | 1 |
| 5 | 43T19352 | ASM-COVER-PV | 1 | 1 |
| 6 | 43T00604 | ASM-COAT-CABI-U | 1 | 1 |
| 7 | 43T39348 | ASM-M-BASE | 1 | 1 |
| 9 | 43T41572 | COMPRESSOR | 1 | 1 |
| 10 | 43T46367 | 4 WAY VALVE | 1 | 1 |
| 11 | 43046571 | COIL-V-3WAY | 1 | 1 |
| 12 | 43T46425 | BODY-PMV | 1 | 1 |
| 13 | 43T46430 | COIL-PMV | 1 | 1 |
| 14 | 43T63373 | SWITCH PRESSURE | 1 | 1 |
| 15 | 43T46461 | VALVE; PACKED 12.7 DIA | 1 | 1 |
| 16 | 43T46435 | VALVE; PACKED 6.35 DIA | 1 | 1 |
| 17 | 43T43491 | ASM-COND | 1 | 1 |
| 19 | 43T21375 | FAN MOTOR | 1 | 1 |
| 20 | 43T20319 | PROPELLER FAN | 1 | 1 |
| 21 | 43T19364 | FAN GUARD | 1 | 1 |
| 22 | 43T19331 | FIN GUARD | 1 | 1 |
| 23 | 43T58309 | REACTOR | 1 | 1 |
| 24 | 43T60443 | ASM-LEAD-COMP | 1 | 1 |
| 25 | 43T54319 | BIMETAL-THERMO | 1 | 1 |
| 27 | 43T19333 | HOLDER, SENSOR | 1 | 1 |
| 28 | 43T49335 | RUBBER CUSHION | 3 | 3 |
| 29 | 43T47405 | BONNET, 12.7 DIA | 1 | 1 |
| 30 | 43T47403 | BONNET, 6.35 DIA | 1 | 1 |
| 31 | 43047669 | NUT, FLANGE | 1 | 1 |
| 32 | 43089160 | CAP, WATERPROOF | 2 | 2 |
| 33 | 43T79325 | DRAIN NIPPLE | 1 | 1 |
| 34 | 43T85893 | MARK-T | 1 | 1 |
| 35 | 43T04315 | S-INSU(UP) | 1 | 1 |
| 36 | 43T04316 | SOUND-INSU(IS) | 1 | 1 |
| 37 | 43T04486 | SOUND-INSU(OS) | 1 | 1 |

RAV-GV801ATP-E, RAV-GV801ATP-TR



| Location No. | Part No. | Description | Model name | |
|--------------|----------|-------------------------|----------------|-----------------|
| | | | RAV-GV801ATP-E | RAV-GV801ATP-TR |
| 1 | 43T42387 | BASE COATING ASSEMBLY | 1 | 1 |
| 2 | 43T00605 | ASM-CABI-F-S | 1 | 1 |
| 3 | 43T00599 | ASM-CABI-SIDE-R | 1 | 1 |
| 4 | 43T00602 | ASM-COAT-C-S-L | 1 | 1 |
| 5 | 43T19352 | ASM-COVER-PV | 1 | 1 |
| 6 | 43T00604 | ASM-COAT-CABI-U | 1 | 1 |
| 7 | 43T39348 | ASM-M-BASE | 1 | 1 |
| 9 | 43T41572 | COMPRESSOR | 1 | 1 |
| 10 | 43T46383 | VALVE-4WAY | 1 | 1 |
| 11 | 43T63352 | COIL-V-4WAY | 1 | 1 |
| 12 | 43T46425 | BODY-PMV | 1 | 1 |
| 13 | 43T46430 | COIL-PMV | 1 | 1 |
| 14 | 43T63373 | SWITCH PRESSURE | 1 | 1 |
| 15 | 43T46386 | VALVE,PACKED,15.88 DIA | 1 | 1 |
| 16 | 43T46380 | VALVE,PACKED 9.52 DIA | 1 | 1 |
| 17 | 43T43471 | ASM-COND | 1 | 1 |
| 19 | 43T21375 | FAN MOTOR | 1 | 1 |
| 20 | 43T20319 | PROPELLER FAN | 1 | 1 |
| 21 | 43T19364 | FAN GUARD | 1 | 1 |
| 22 | 43T19331 | FIN GUARD | 1 | 1 |
| 23 | 43T58345 | REACTOR (CHT-01-Z-T) | 1 | 1 |
| 24 | 43T60443 | ASM-LEAD-COMP | 1 | 1 |
| 25 | 43T54319 | BIMETAL-THERMO | 1 | 1 |
| 27 | 43T19333 | HOLDER, SENSOR | 1 | 1 |
| 28 | 43T49335 | RUBBER CUSHION | 3 | 3 |
| 29 | 43T47410 | BONNET (15.9D) | 1 | 1 |
| 30 | 43T47404 | BONNET, 9.52 DIA | 1 | 1 |
| 31 | 43047669 | NUT, FLANGE | 1 | 1 |
| 32 | 43089160 | CAP, WATERPROOF | 2 | 2 |
| 33 | 43T79325 | DRAIN NIPPLE | 1 | 1 |
| 34 | 43T85893 | MARK-T | 1 | 1 |
| 35 | 43T04416 | SOUND INSULATION(UP) | 1 | 1 |
| 36 | 43T04463 | INSULATION SOUND INSIDE | 1 | 1 |
| 37 | 43T04486 | SOUND-INSU(OS) | 1 | 1 |

<Inverter assembly>



| Location No. | Part No. | Description | Model name RAV-GV | | | |
|--------------|----------|--------------------------|----------------------|-----------|----------|-----------|
| | | | 561ATP-E | 561ATP-TR | 801ATP-E | 801ATP-TR |
| 701 | 43TN9687 | PC BOARD ASSY (WP-044) | - | - | 1 | 1 |
| 701 | 43TN9688 | PC BOARD ASSY (WP-044) | 1 | 1 | - | - |
| 702 | 43T6W816 | PC BOARD ASSY (MCC-1646) | 1 | 1 | 1 | 1 |
| 703 | 43T58326 | REACTOR,CH-76 | 1 | 1 | 1 | 1 |
| 704 | 43T62313 | PC PLATE BASE | 1 | 1 | 1 | 1 |
| 705 | 43T61320 | BASE, PC BOARD | 1 | 1 | 1 | 1 |
| 706 | 43T60423 | SERV-TERMINAL | 1 | 1 | 1 | 1 |
| 707 | 43T60463 | FUSE(FJL) | 1 | 1 | 1 | 1 |
| 708 | 43T60564 | HOLDER-FUSE | 1 | 1 | 1 | 1 |
| 709 | 43T50352 | TEMPERATURE SENSOR | 1 | 1 | 1 | 1 |
| 710 | 43T50412 | TC-SENSOR | 1 | 1 | 1 | 1 |
| 711 | 43T50334 | TEMPERATURE SENSOR | 1 | 1 | 1 | 1 |
| 712 | 43T50417 | TEMPERATURE SENSOR, TO | 1 | 1 | 1 | 1 |
| 713 | 43T50335 | TEMPERATURE SENSOR | 1 | 1 | 1 | 1 |
| 714 | 43T63318 | HOLDER SENSOR | 1 | 1 | 1 | 1 |
| 715 | 43T63317 | HOLDER,SENSOR | 1 | 1 | 1 | 1 |
| 716 | 43T63316 | HOLDER,SENSOR | 1 | 1 | - | - |
| 716 | 43T63323 | HOLDER,SENSOR | - | - | 1 | 1 |
| 717 | 43T63319 | HOLDER,SENSOR | 1 | 1 | 1 | 1 |