

Residential Inverter R32 Heat Pump SEIYA Series

Indoor Units

RAS-B05B2KVG-E

RAS-B07B2KVG-E

RAS-B10B2KVG-E

RAS-B13B2KVG-E

RAS-B16B2KVG-E

RAS-B18B2KVG-E

RAS-B24B2KVG-E

Outdoor Units

RAS-05B2AVG-E

RAS-07B2AVG-E

RAS-10B2AVG-E

RAS-13B2AVG-E

RAS-16B2AVG-E

RAS-18B2AVG-E

RAS-24B2AVG-E





Contents

1 Line up.	3
2 Specifications	4
3 Dimension	5
4 Wiring diagram	11
5 Refrigerant cycle diagram	13
6 Air speed distribution	20
7 Sound characteristics (NC Curve)	27
8 Capacity table	33
9 Part load performance	40
10 Performance characteristic	47
11 Accessories	54

1. Line up

Outdoor Unit	Indoor Unit	Model Name		Capacity Rank
		CDU	FCU	
		RAS-B05B2KVG-E	RAS-05B2AVG-E	5k
		RAS-B07B2KVG-E	RAS-07B2AVG-E	7k
		RAS-B10B2KVG-E	RAS-10B2AVG-E	10k
		RAS-B13B2KVG-E	RAS-13B2AVG-E	13k
		RAS-B16B2KVG-E	RAS-16B2AVG-E	16k
		RAS-B18B2KVG-E	RAS-18B2AVG-E	18k
		RAS-B24B2KVG-E	RAS-24B2AVG-E	24k

Accessories

Appearance	Model Name	Remark
	WH-TG01NE	Standard remote controller
	RB-RXS33-E	Optional accessory remote controller for weekly timer program
	RB-RXS34-E	Optional accessory remote controller for weekly timer program (optional black color)
	RB-N101S-G for BF1 RB-N102S-G for BF2	Optional accessory wireless adapter

2. Specifications

Specifications								
System	Size	5k	7k	10k	13k	16k	18k	24k
	Indoor	RAS-B05B2KVG-E	RAS-B07B2KVG-E	RAS-B10B2KVG-E	RAS-B13B2KVG-E	RAS-B16B2KVG-E	RAS-B18B2KVG-E	RAS-B24B2KVG-E
	Outdoor	RAS-05B2AVG-E	RAS-07B2AVG-E	RAS-10B2AVG-E	RAS-13B2AVG-E	RAS-16B2AVG-E	RAS-18B2AVG-E	RAS-24B2AVG-E
Power supply (V/Ph/Hz)		220 - 240 / 1 / 50 220 - 230 / 1 / 60				220 - 240 / 1 / 50		220 - 240 / 1 / 50 220 - 230 / 1 / 60
Cooling	Capacity (kW)	1.5 (0.58 - 2.00)	2.0 (0.76 - 2.40)	2.5 (0.80 - 3.00)	3.3 (1.00 - 3.60)	4.2 (1.10 - 4.70)	5.0 (1.10 - 5.5)	6.5 (1.1 - 7.1)
	Power Consumption (kW)	0.36 (0.16 - 0.58)	0.60 (0.20 - 0.74)	0.72 (0.21 - 1.00)	1.17 (0.25 - 1.35)	1.37 (0.35 - 1.70)	1.73 (0.35 - 1.90)	2.30 (0.25 - 2.40)
	EER (kW/kW)	4.17	3.33	3.47	2.82	3.07	2.89	2.83
	PdesignC (kW)	1.50	2.00	2.50	3.30	4.20	5.00	6.50
	SEER (kW/kW)	6.10	6.10	6.10	6.10	6.10	6.10	6.10
	Indoor Sound Pressure (H / M+ / M / L+ / L (Quiet)) *1 (dB)	39/35/31/27/23 (19)	40/35/31/27/23 (19)	41/38/34/28/24 (19)	42/37/33/29/24 (20)	44/39/35/30/25 (22)	47/44/40/36/32 (26)	48/45/42/39/35 (29)
	Outdoor Sound Pressure (Rated/ Silent 1/ Silent 2) (dB)	49/48/44	49/49/44	49/49/45	50/50/45	52/51/45	52/52/46	56/55/51
	Indoor Air Flow (m ³ /h)	480	490	620	650	760	840	1070
Heating	Capacity (kW)	2.0 (0.58 - 3.00)	2.5 (0.76 - 3.30)	3.2 (0.76 - 3.90)	3.6 (0.76 - 4.50)	5.0 (0.85 - 6.0)	5.4 (1.10 - 6.0)	7.0 (1.2 - 8.0)
	Power Consumption (kW)	0.47 (0.14 - 0.85)	0.64 (0.16 - 0.94)	0.84 (0.18 - 1.10)	1.02 (0.18 - 1.25)	1.45 (0.25 - 1.90)	1.65 (0.27 - 1.88)	2.10 (0.27 - 2.50)
	COP (kW/kW)	4.26	3.91	3.81	3.53	3.45	3.27	3.33
	PdesignH (Tbiv -7°C) (kW)	1.60	2.00	2.10	2.30	3.30	3.70	4.40
	SCOP (kW/kW)	4.00	4.00	4.00	4.00	4.00	4.00	4.00
	Indoor Sound Pressure (H / M+ / M / L+ / L (Quiet)) *1 (dB)	38/35/31/27/24 (19)	39/35/31/28/24 (19)	40/36/32/27/24 (20)	42/38/34/30/24 (20)	43/39/35/30/25 (23)	48/44/40/36/32 (26)	48/45/42/39/35 (29)
	Outdoor Sound Pressure (Rated/ Silent 1/ Silent 2) (dB)	50/50/44	51/50/44	51/51/45	52/51/45	53/52/47	53/53/48	57/56/51
	Indoor Air Flow (m ³ /h)	480	500	620	600	760	840	860
FCU	H x W x D (mm)	288 x 770 x 225				293 x 798 x 230		320 x 1050 x 250
	Net Weigh (kg)	9				9		15
CDU	H x W x D (mm)	530 / 660 / 240				550 / 780 / 290		
	Net Weigh (kg)	20	21		29	29	37	
Pipe	Chargeless (m)	10						
	Maximum Length (m)	10				15		
	Maximum Height (m)	8						
	Refrigerant	R32						
Energy Label	Cooling / Heating	A++ / A+						
Useble Range Temperature	Cooling (°C)	Indoor: 21 ~ 32 °C , Outdoor: (-10) ~ 46 °C						
	Heating (°C)	Indoor: 0 ~ 28 °C , Outdoor: (-10) ~ 24 °C						

Note : *1 Base on background noise ≤ 10 dB.A

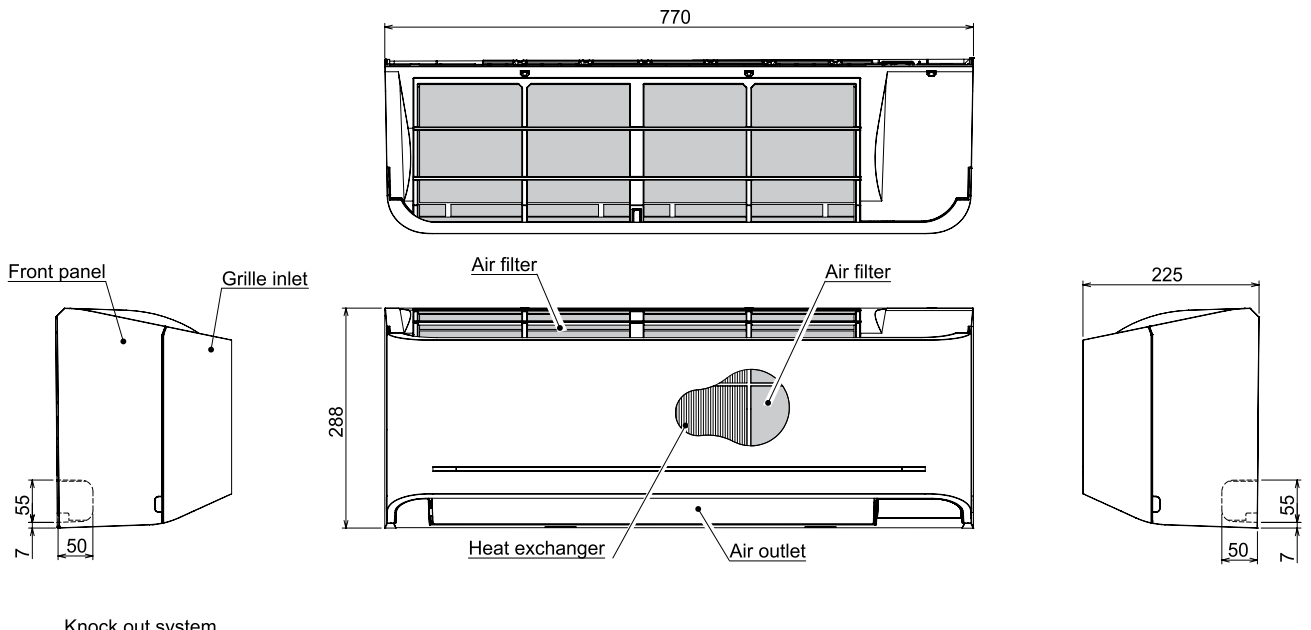
Cooling capacity : Inside air temperature 27°C (Db) / 19°C (Wb), outside air temperature 35°C (Db) / 24°C (Wb).

Heating capacity : Inside air temperature 20°C (Db) / 15°C (Wb), outside air temperature 7°C (Db) / 6°C (Wb).

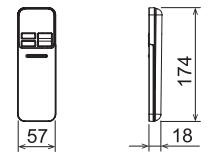
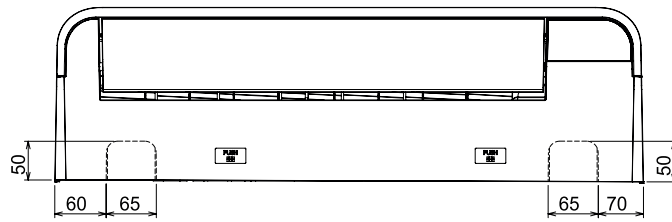
The specification may be subject to change without notice for purpose of improvement.

3. Dimension

Indoor Unit : RAS-B*__ B2KVG-E (05, 07,10 ,13)

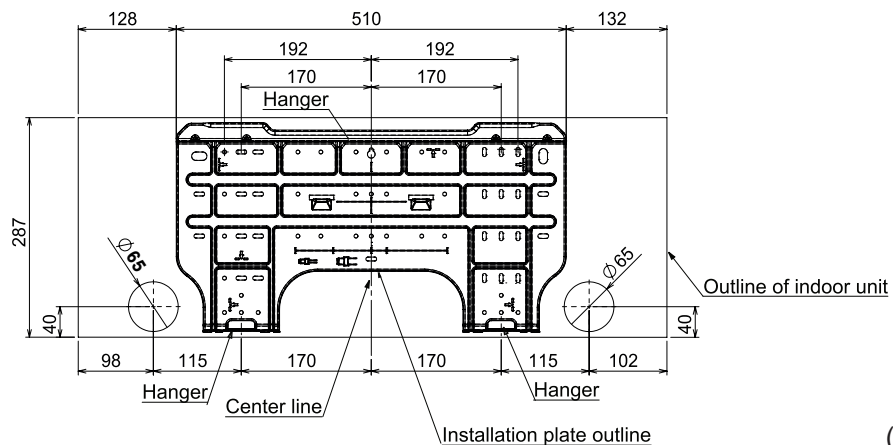
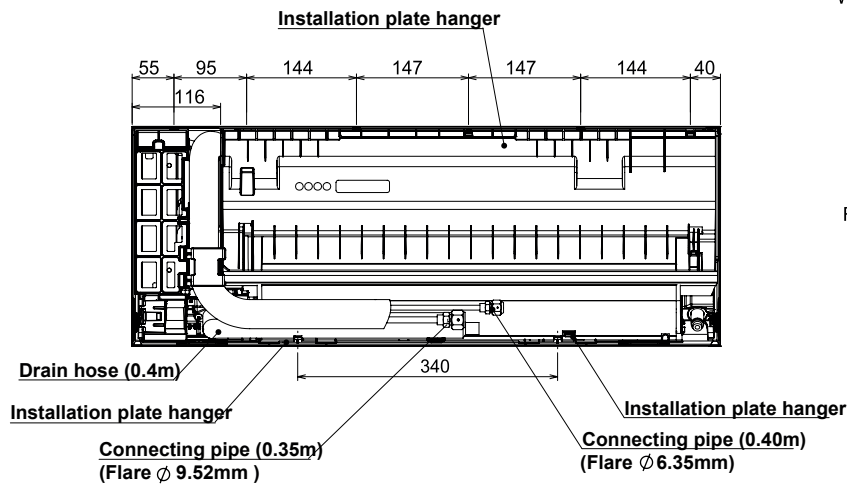


Knock out system



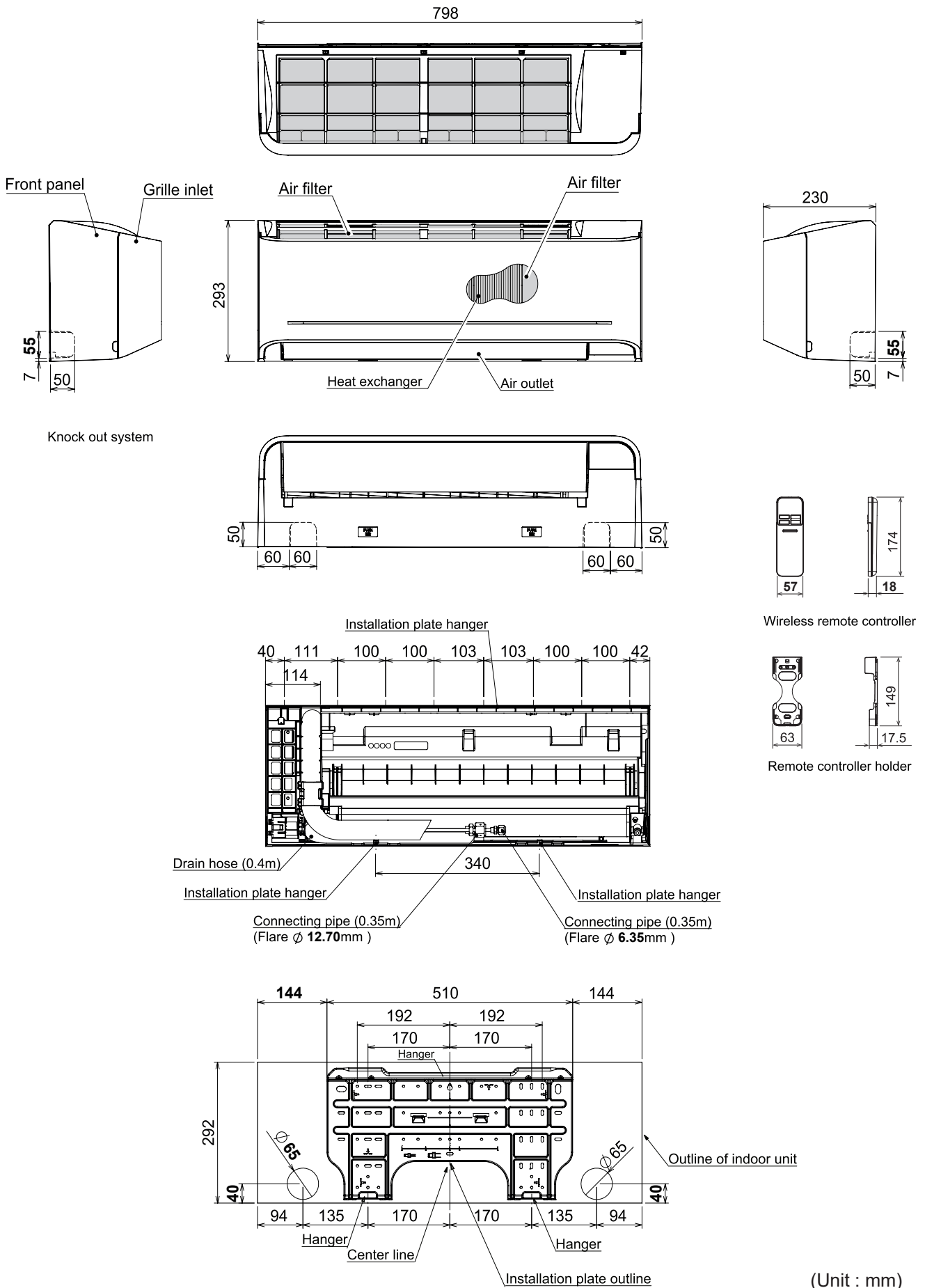
Wireless remote controller

Remote controller holder



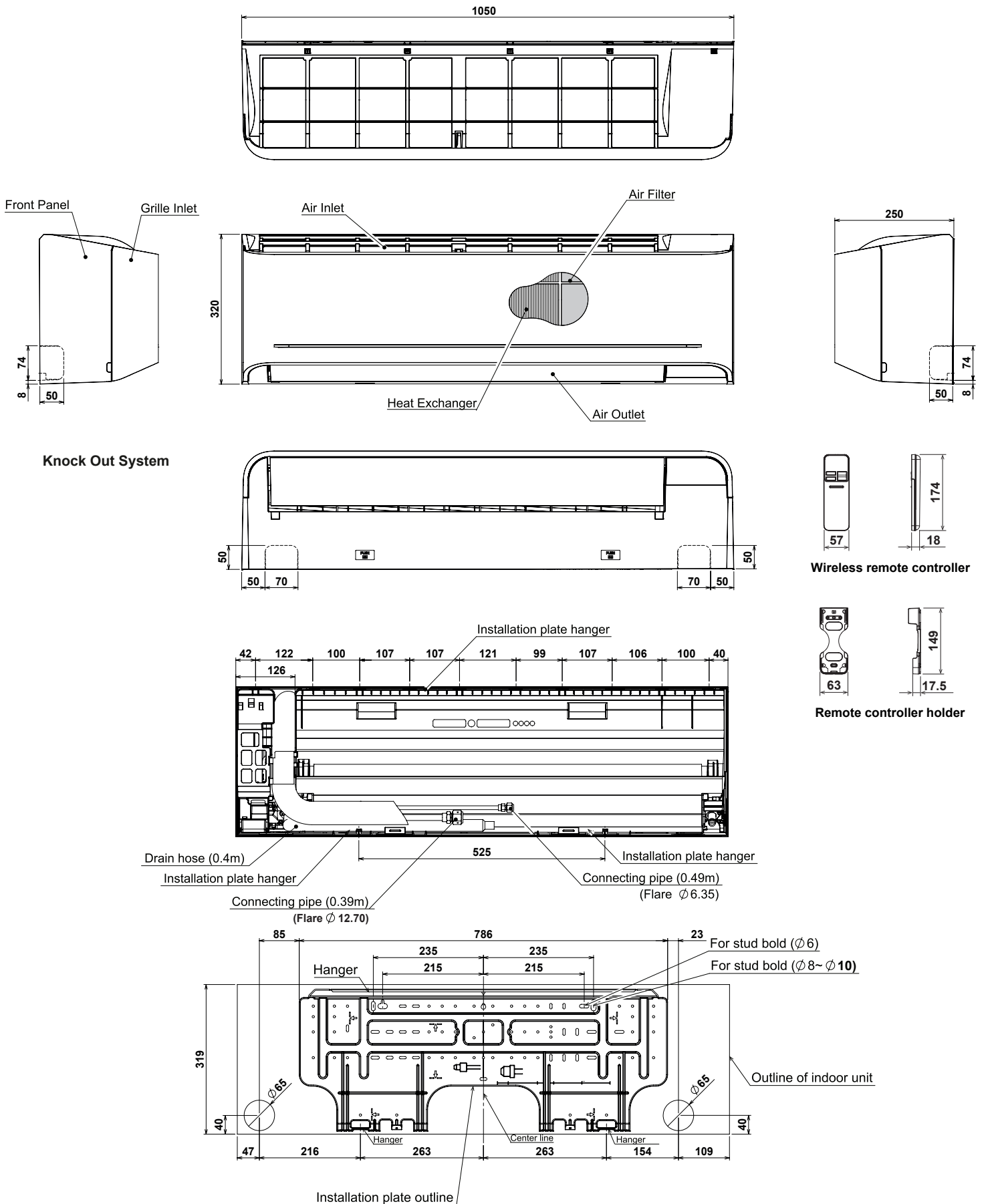
(Unit : mm)

Indoor Unit : RAS-B*_ B2KVG-E (16 , 18)



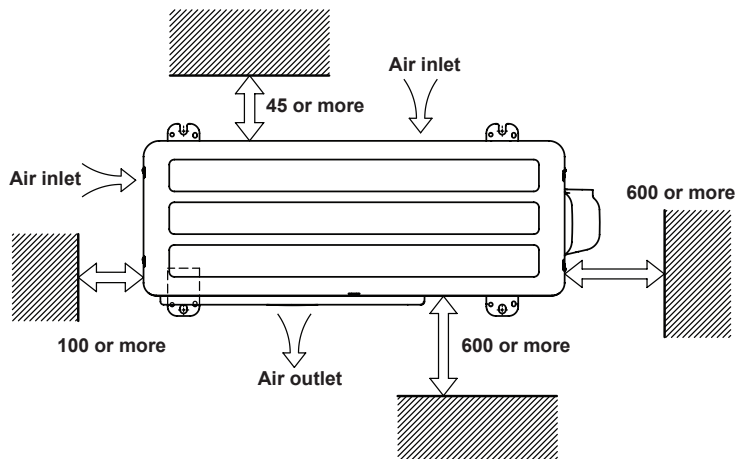
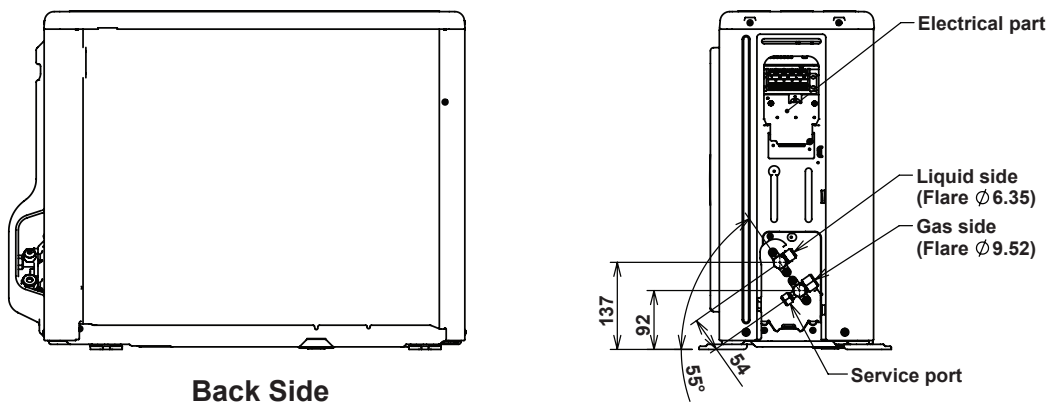
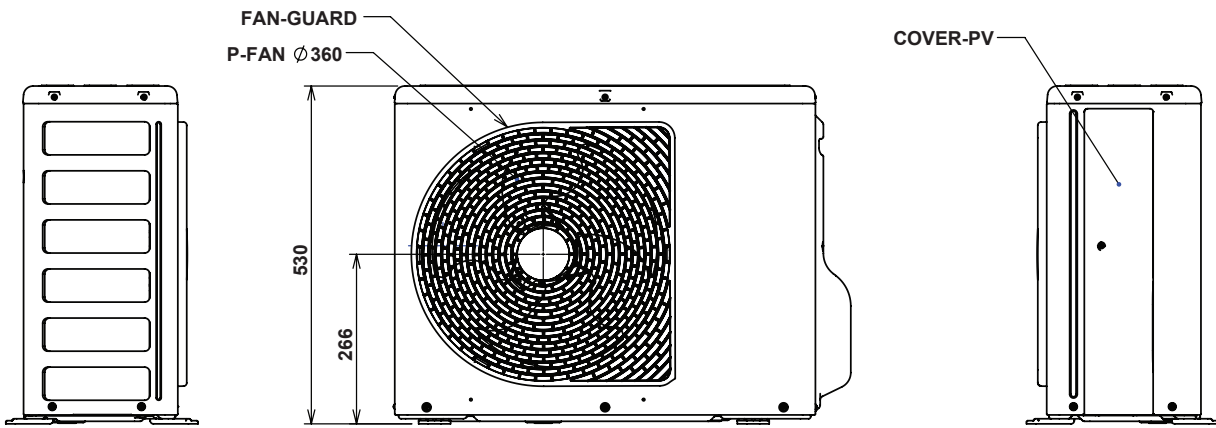
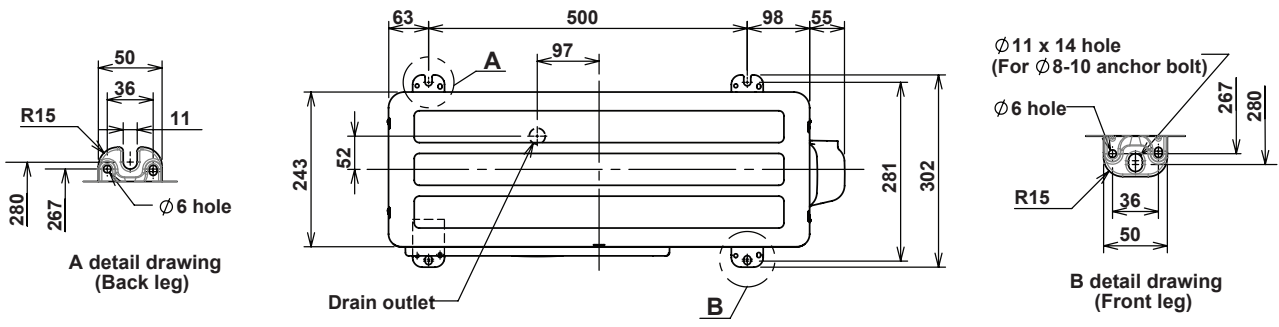
(Unit : mm)

Indoor Unit : RAS-B24B2KVG-E



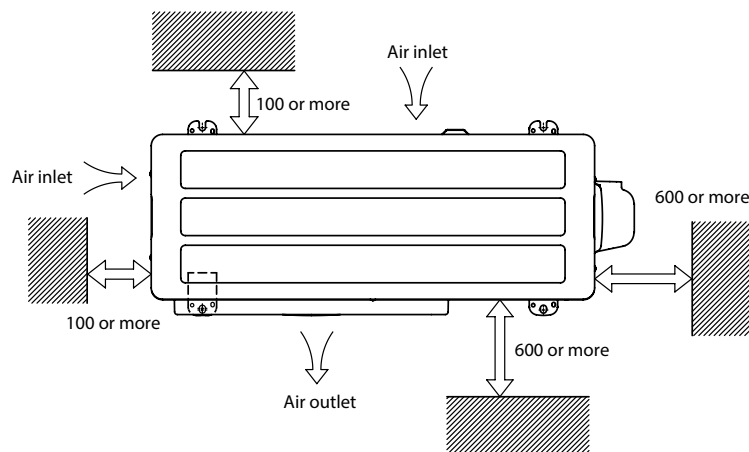
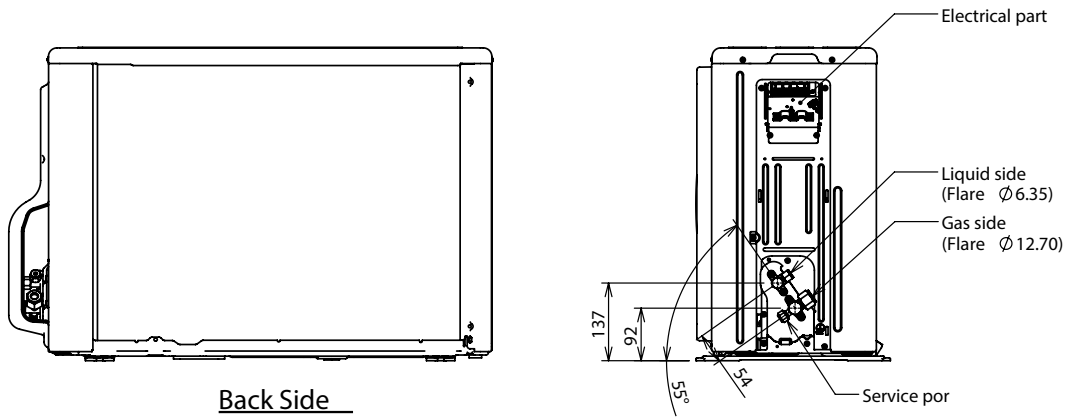
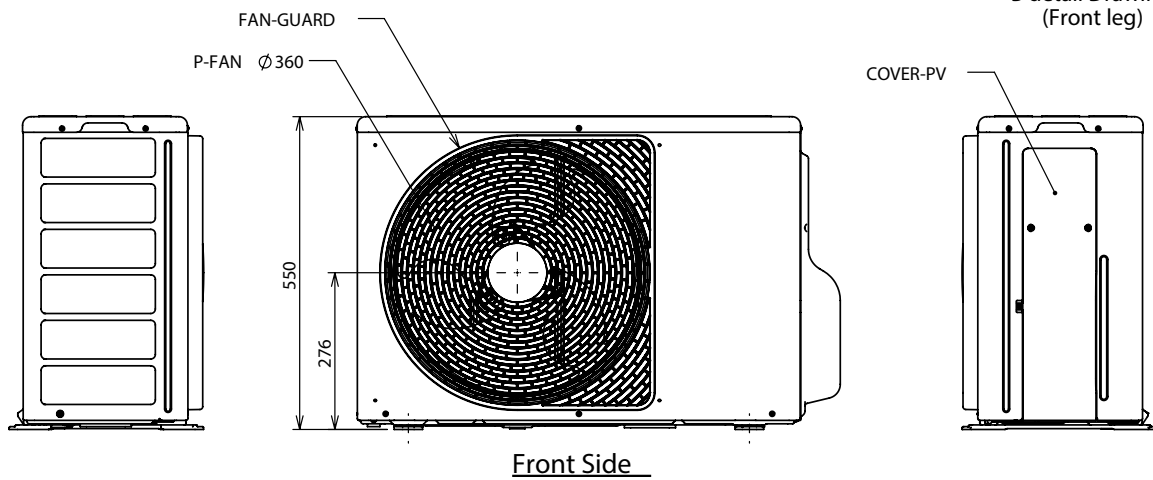
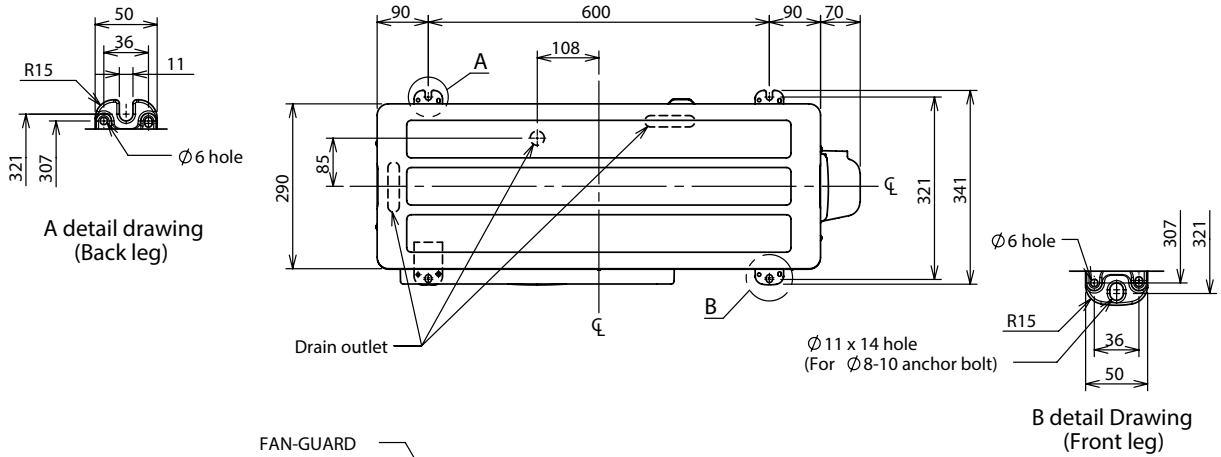
(Unit : mm)

Outdoor Unit : RAS-*__ B2AVG-E (05 , 07 , 10 , 13)



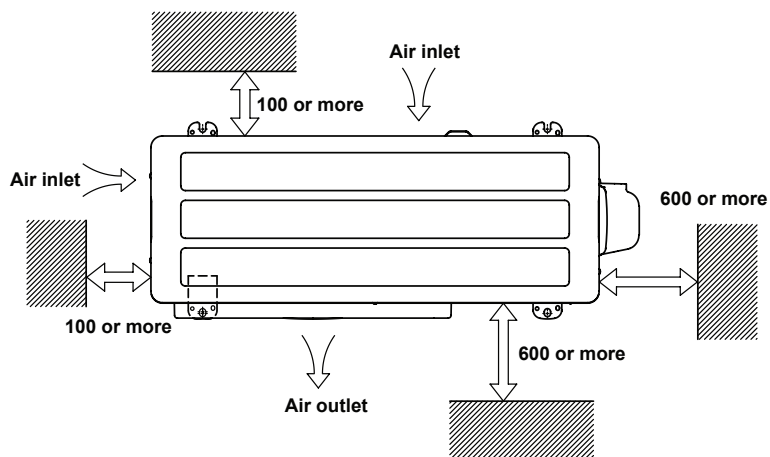
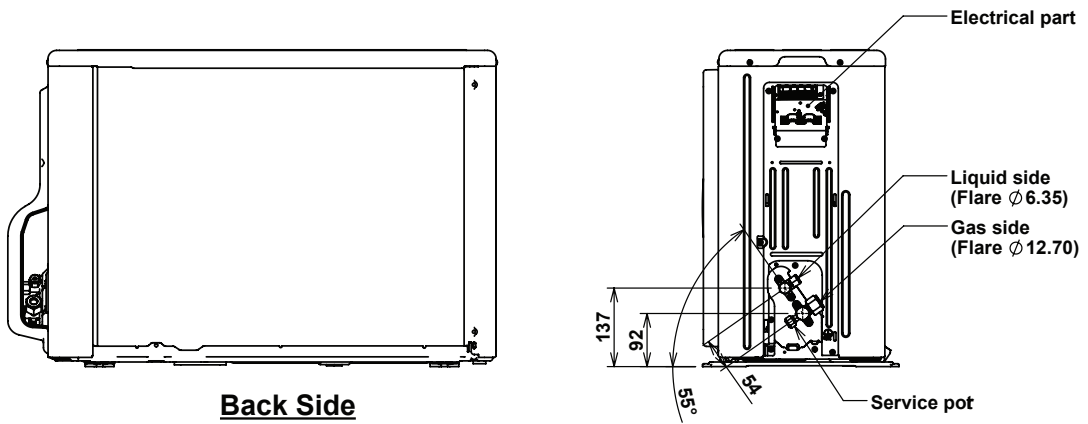
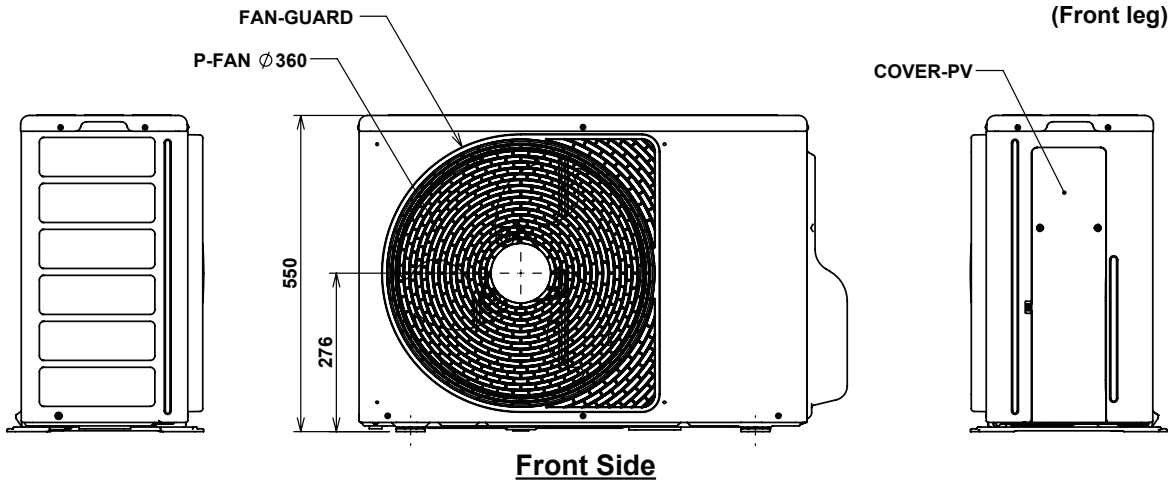
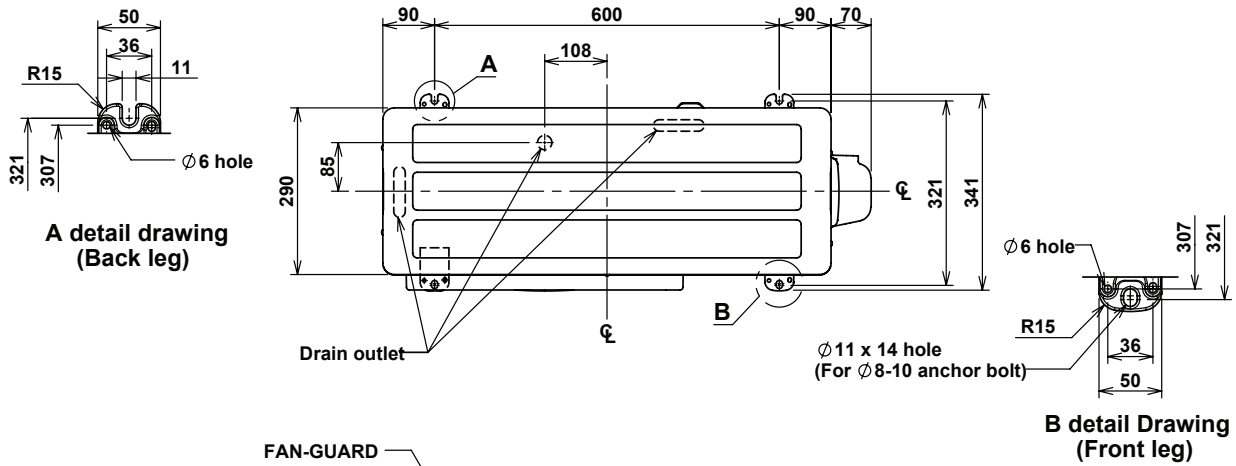
(Unit : mm)

Outdoor Unit : RAS-*__ B2AVG-E (16 , 18)



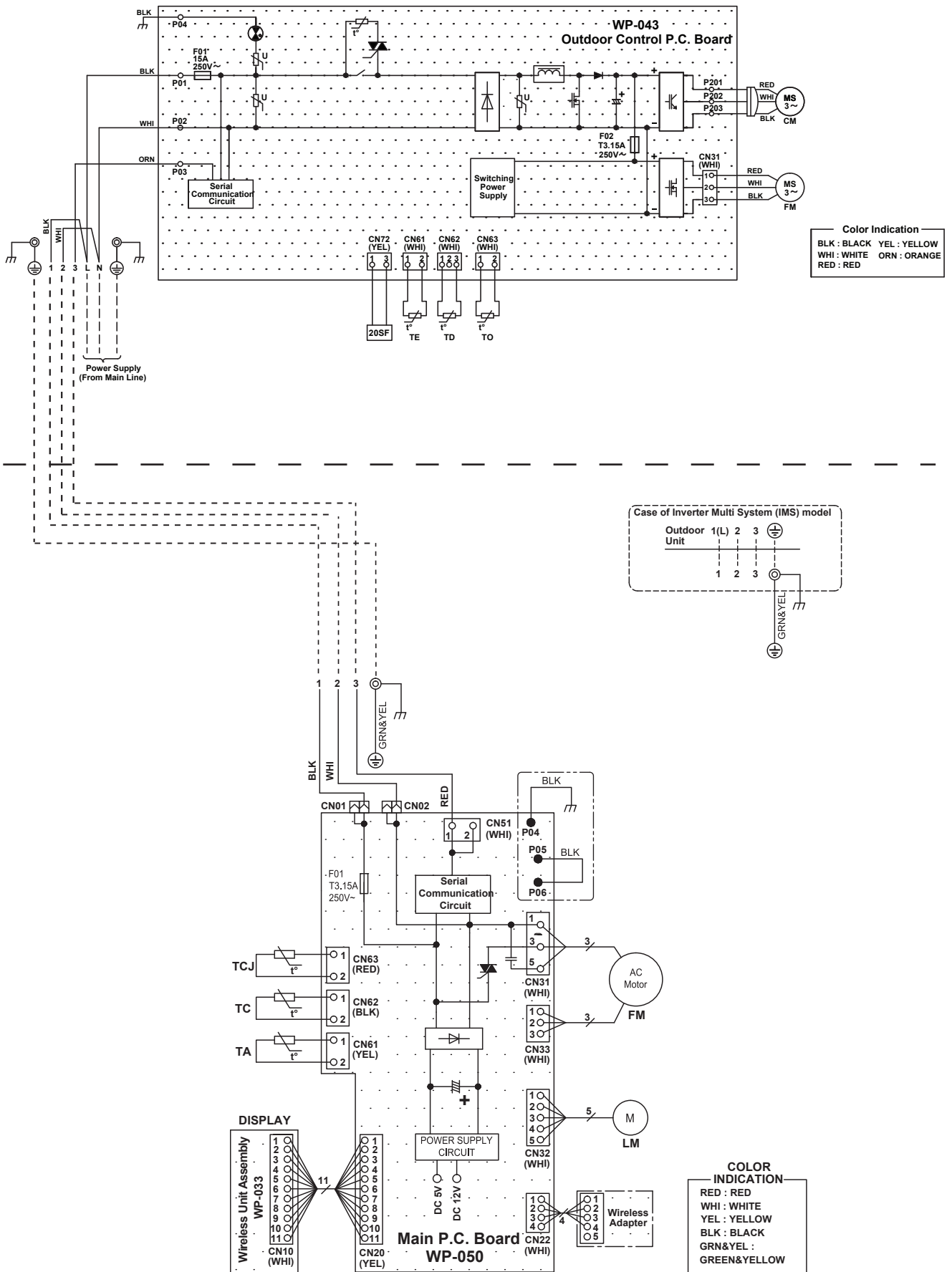
(Unit : mm)

Outdoor Unit : RAS-24B2AVG-E

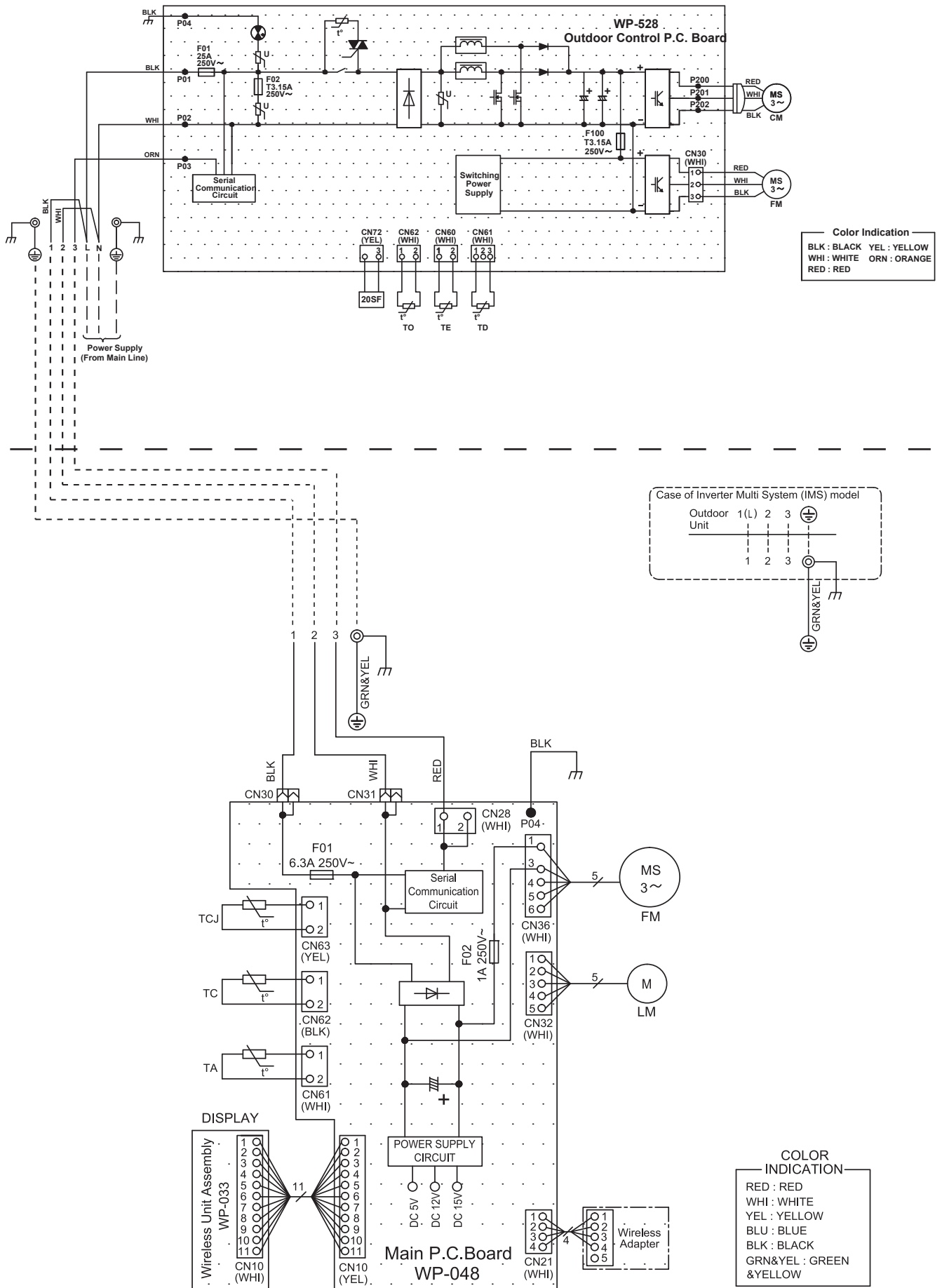


4. Wiring diagrams

Indoor Unit : RAS-B*__ B2KVG-E (05, 07,10 ,13, 16, 18)

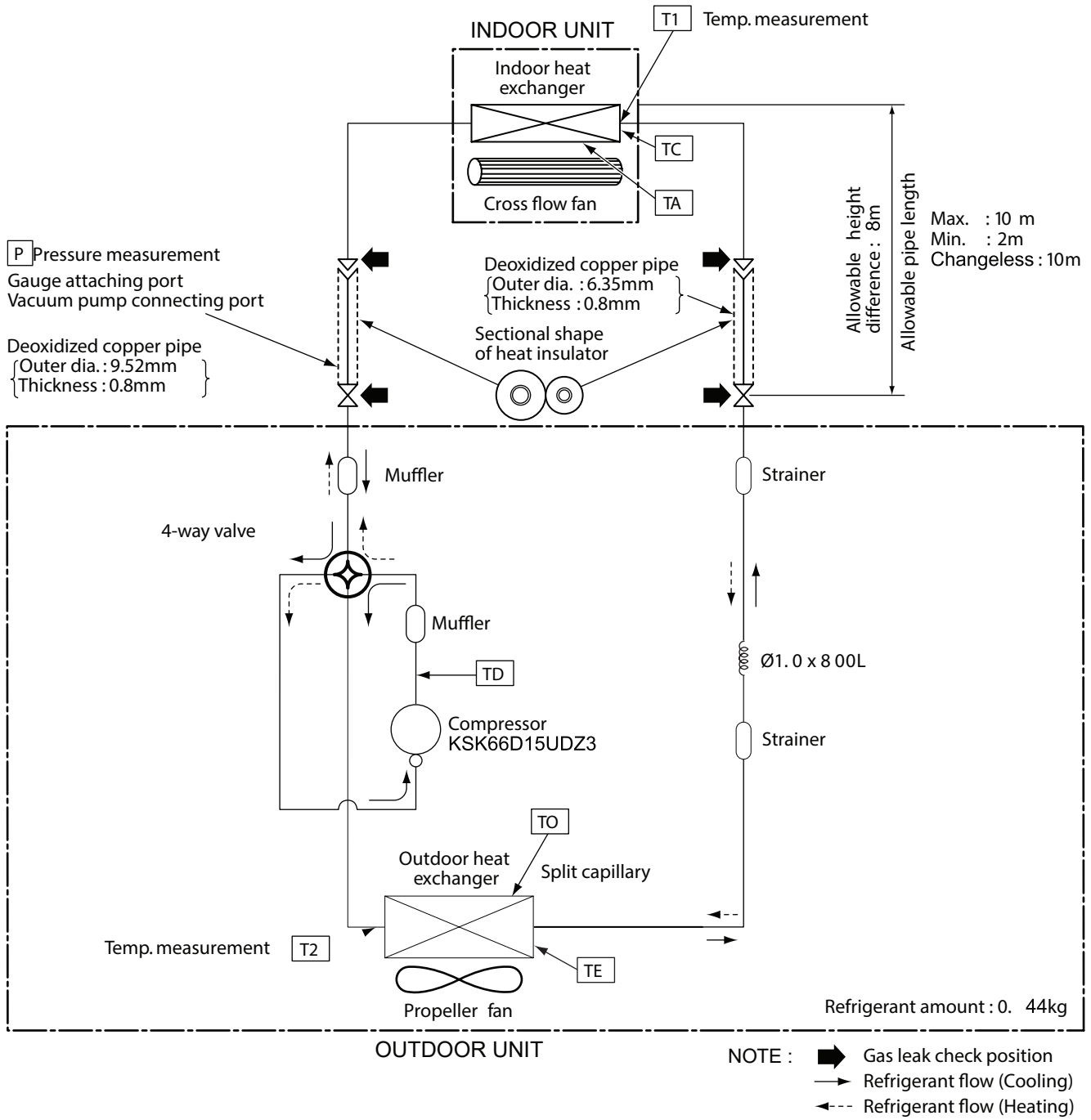


Indoor Unit : RAS-B24B2KVG-E

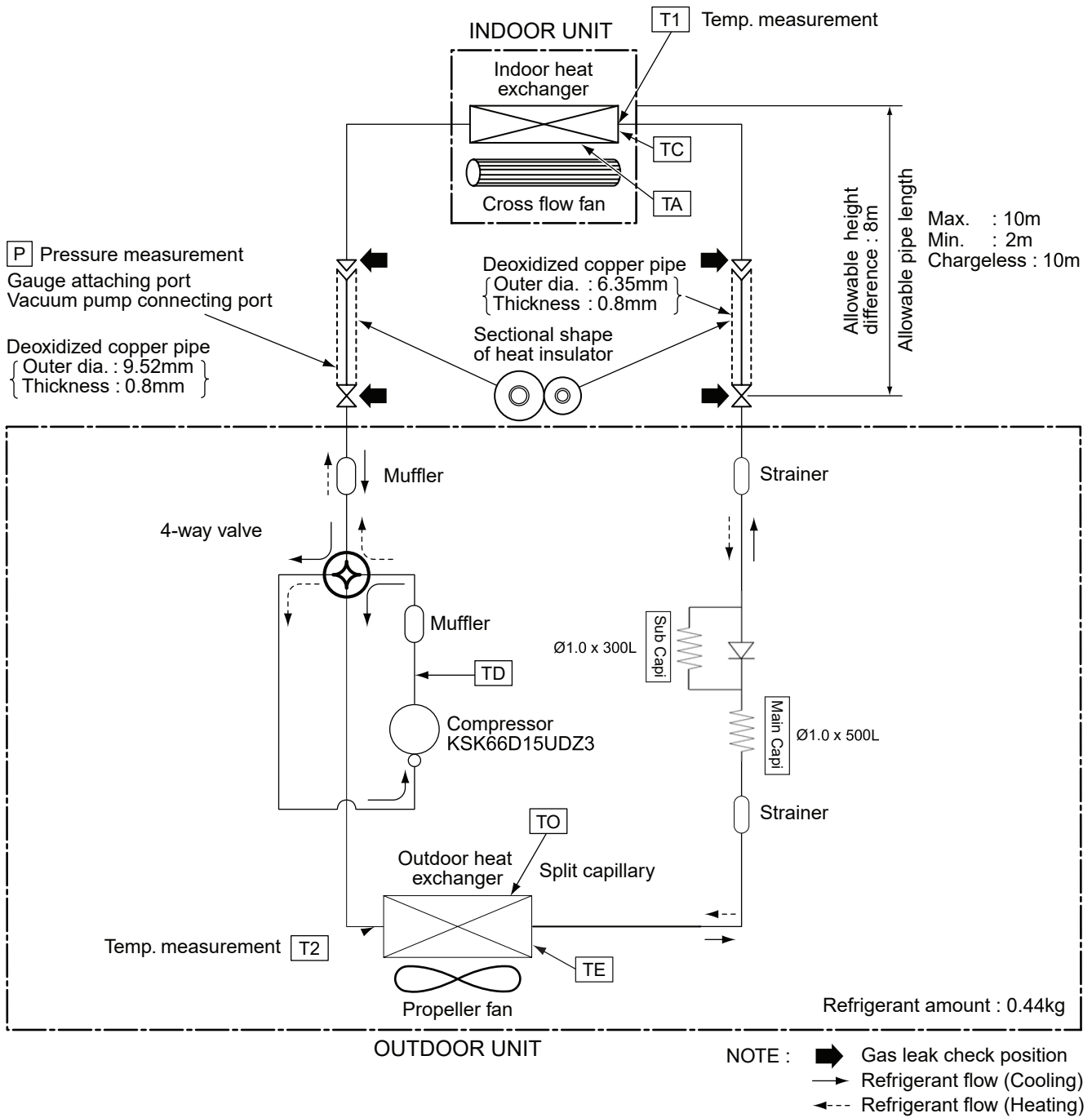


5. Refrigerant Cycle Diagram

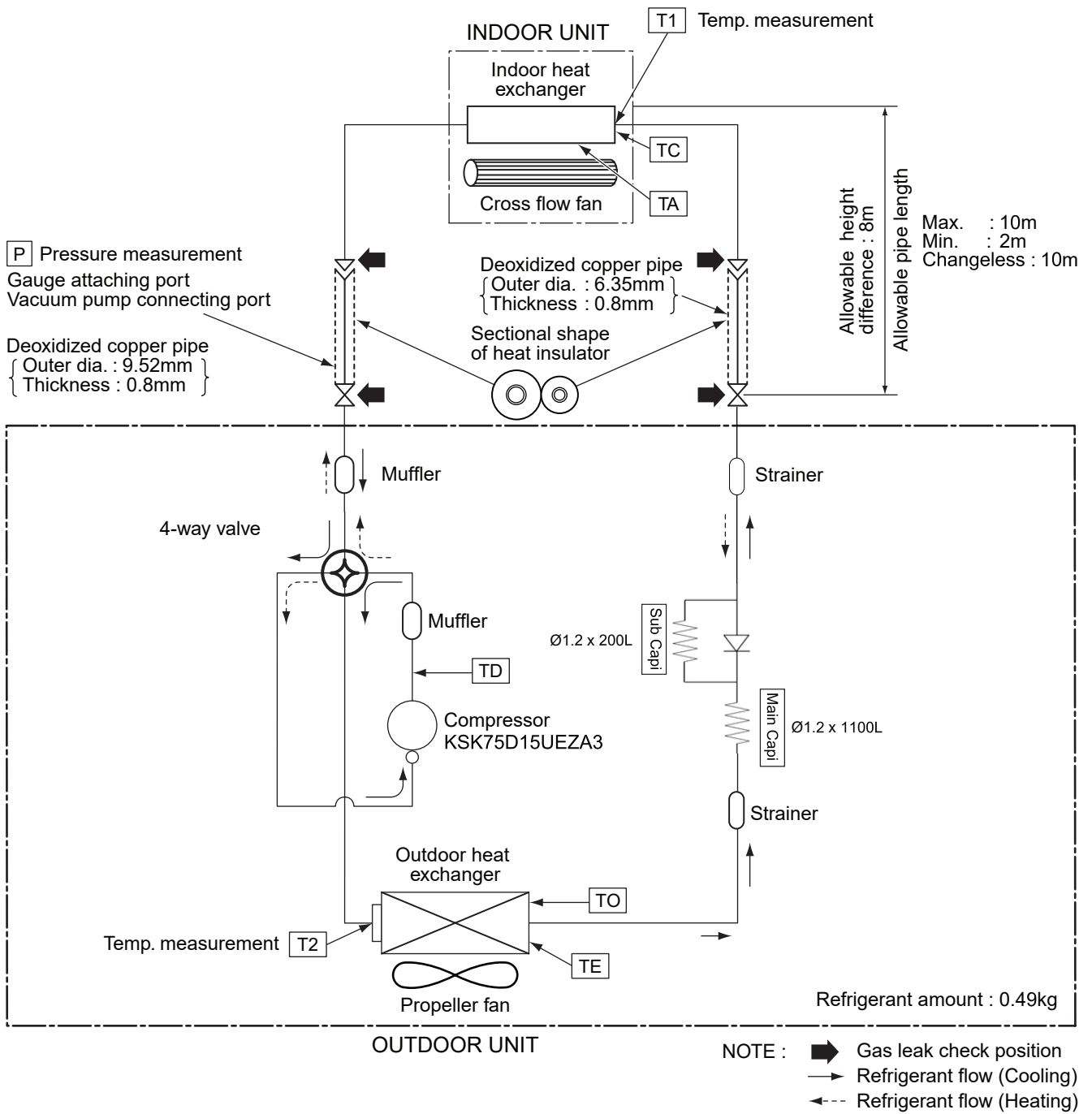
RAS-B05B2KVG-E ; RAS-05B2AVG-E



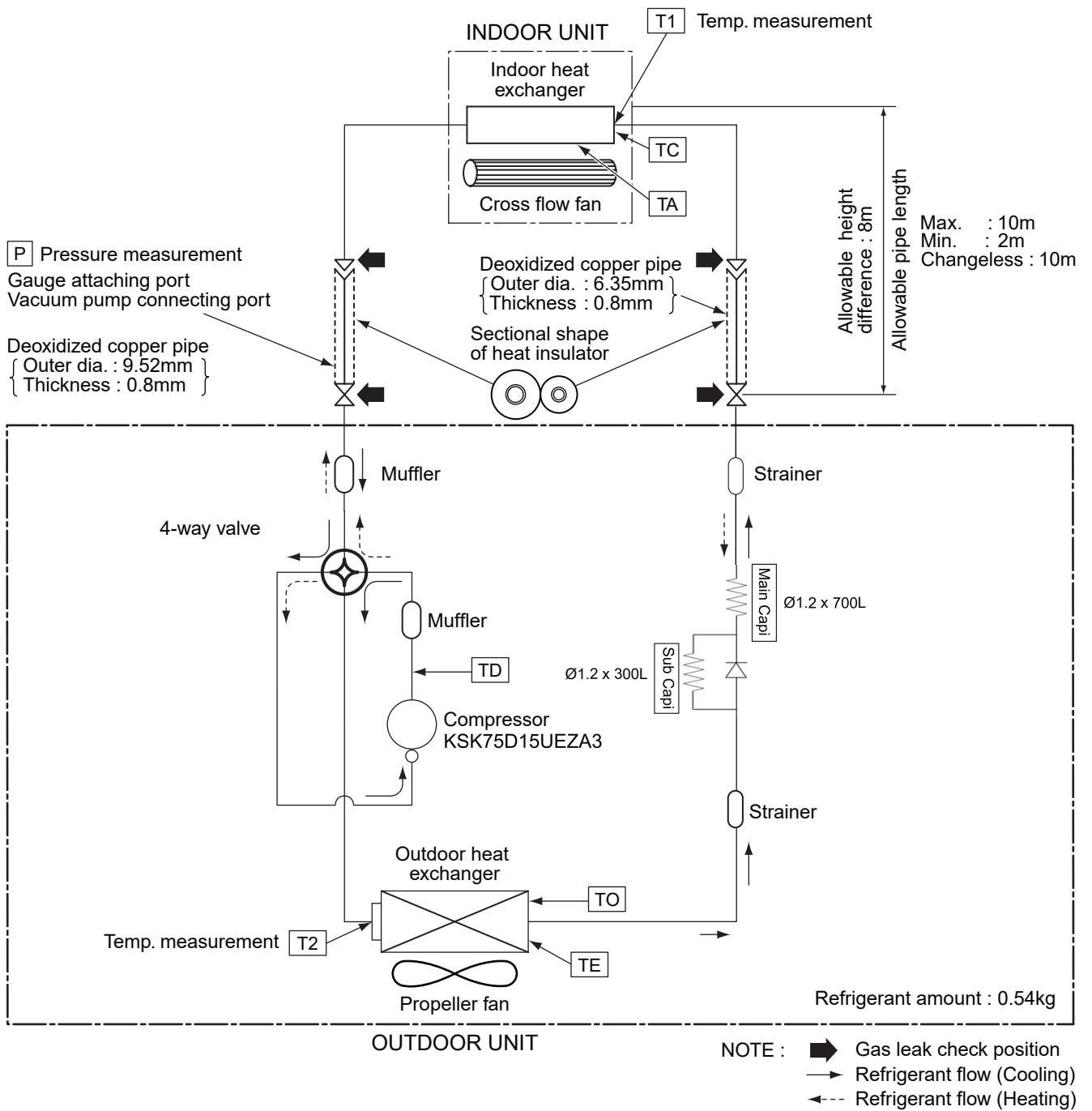
RAS-B07B2KVG-E ; RAS-07B2AVG-E



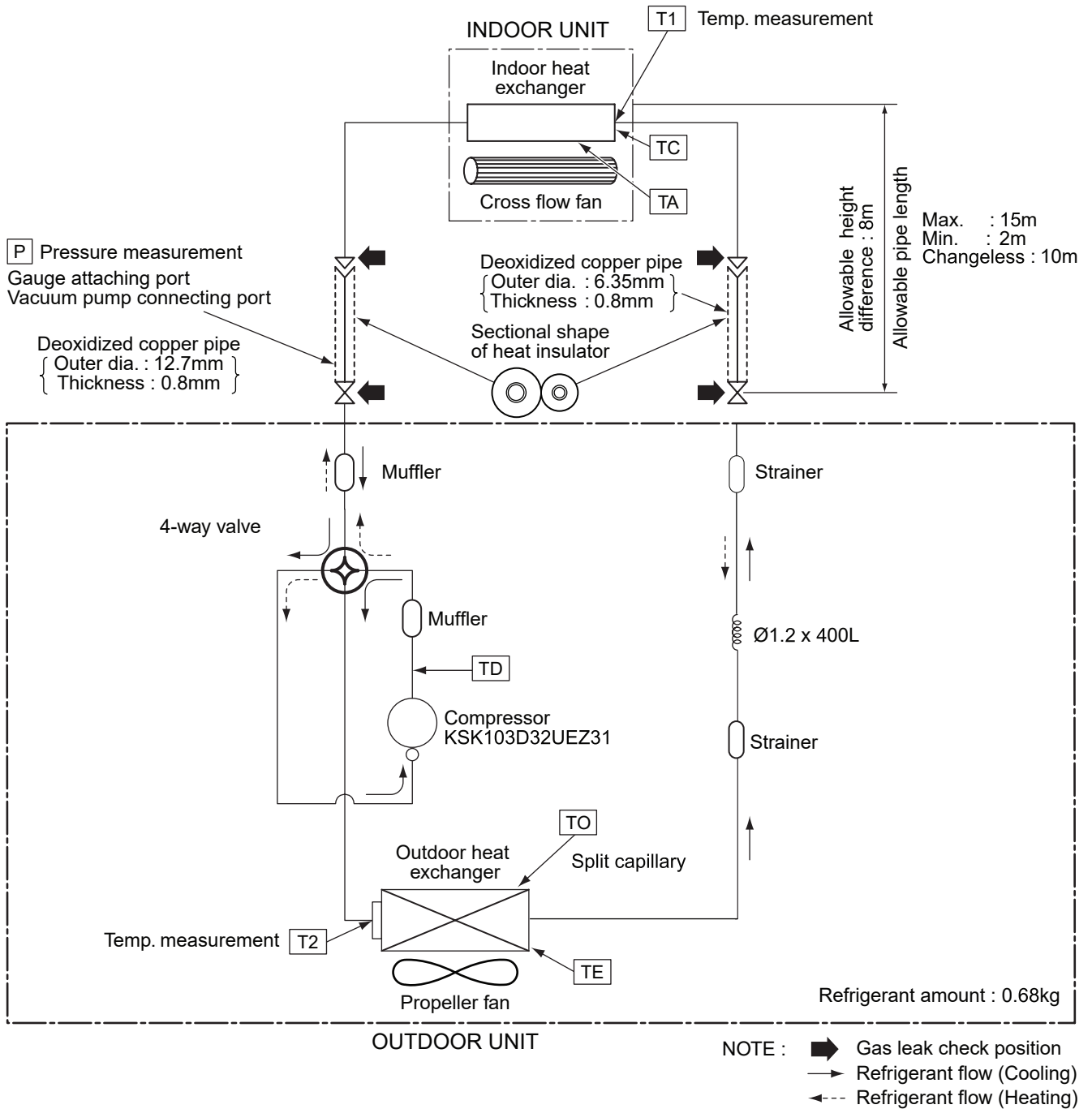
RAS-B10B2KVG-E ; RAS-10B2AVG-E



RAS-B13B2KVG-E ; RAS-13B2AVG-E



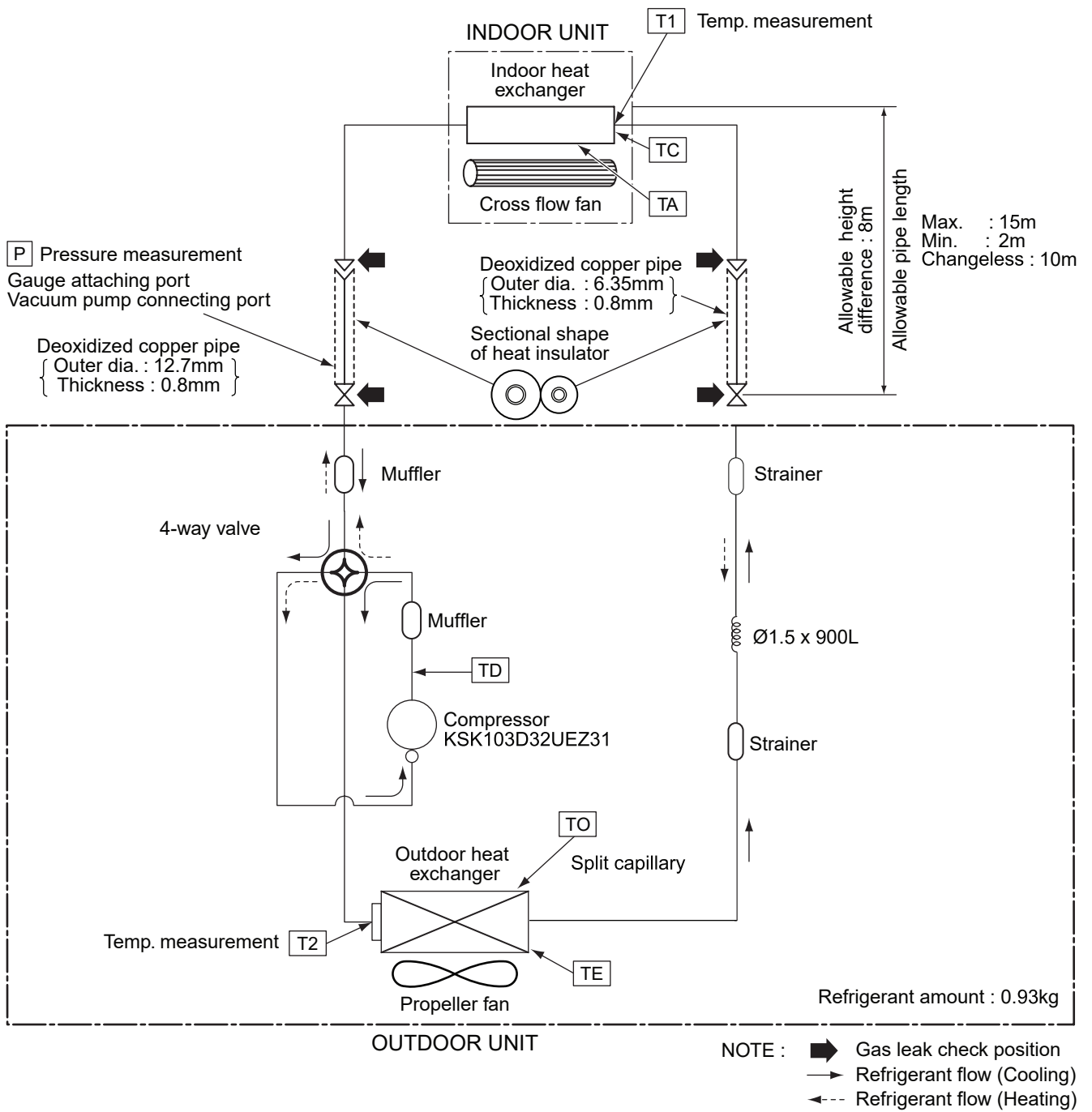
RAS-B16B2KVG-E ; RAS-16B2AVG-E



NOTE :

- The maximum pipe length of this air conditioner is 15 m. When the pipe length exceeds 15m, the additional charging of refrigerant, 20g per 1m for the part of pipe exceeded 15m is required. (Max. 100g)

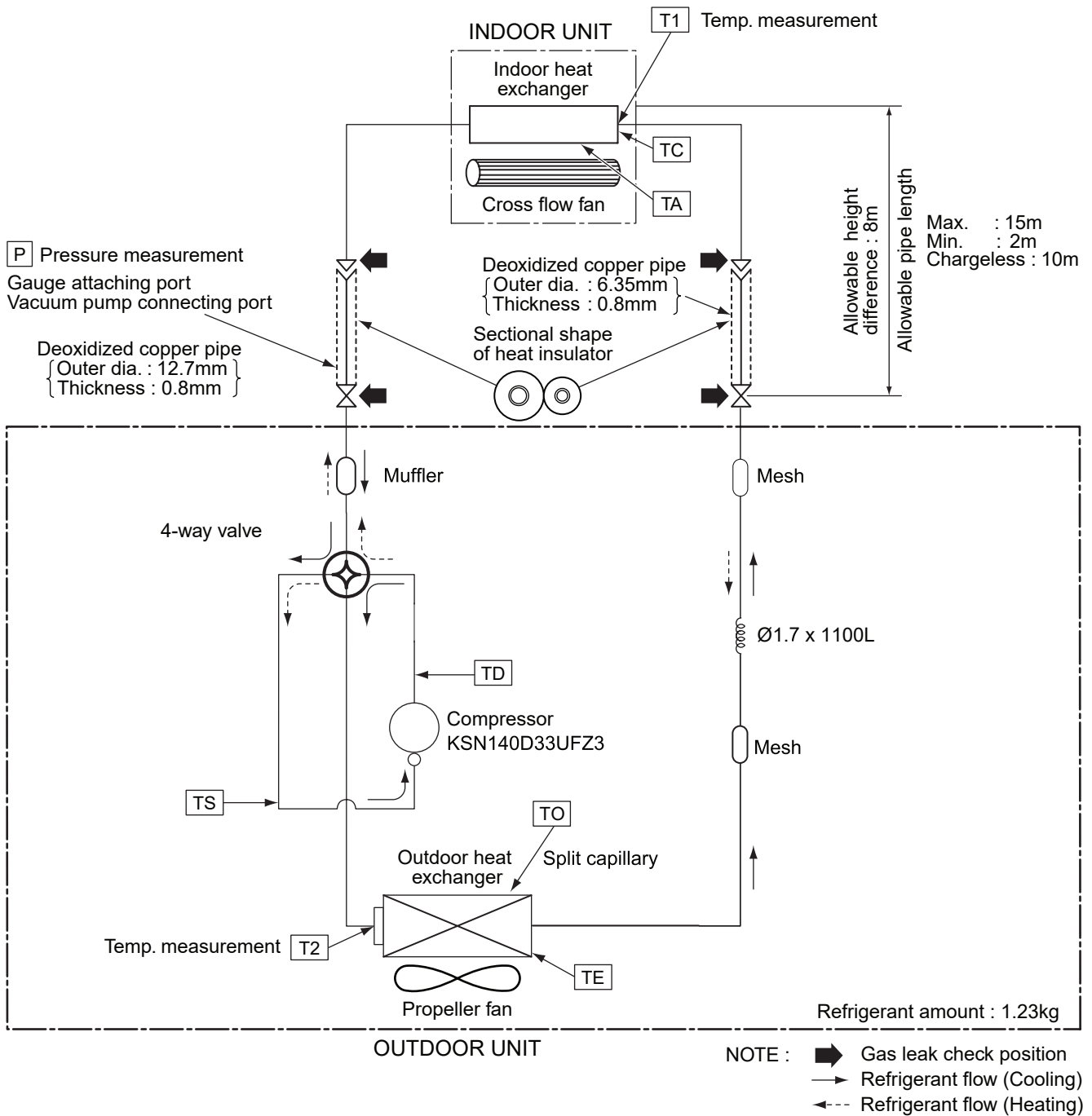
RAS-B18B2KVG-E ; RAS-18B2AVG-E



NOTE :

- The maximum pipe length of this air conditioner is 15 m. When the pipe length exceeds 15m, the additional charging of refrigerant, 20g per 1m for the part of pipe exceeded 15m is required. (Max. 100g)

RAS-B24B2KVG-E ; RAS-24B2AVG-E



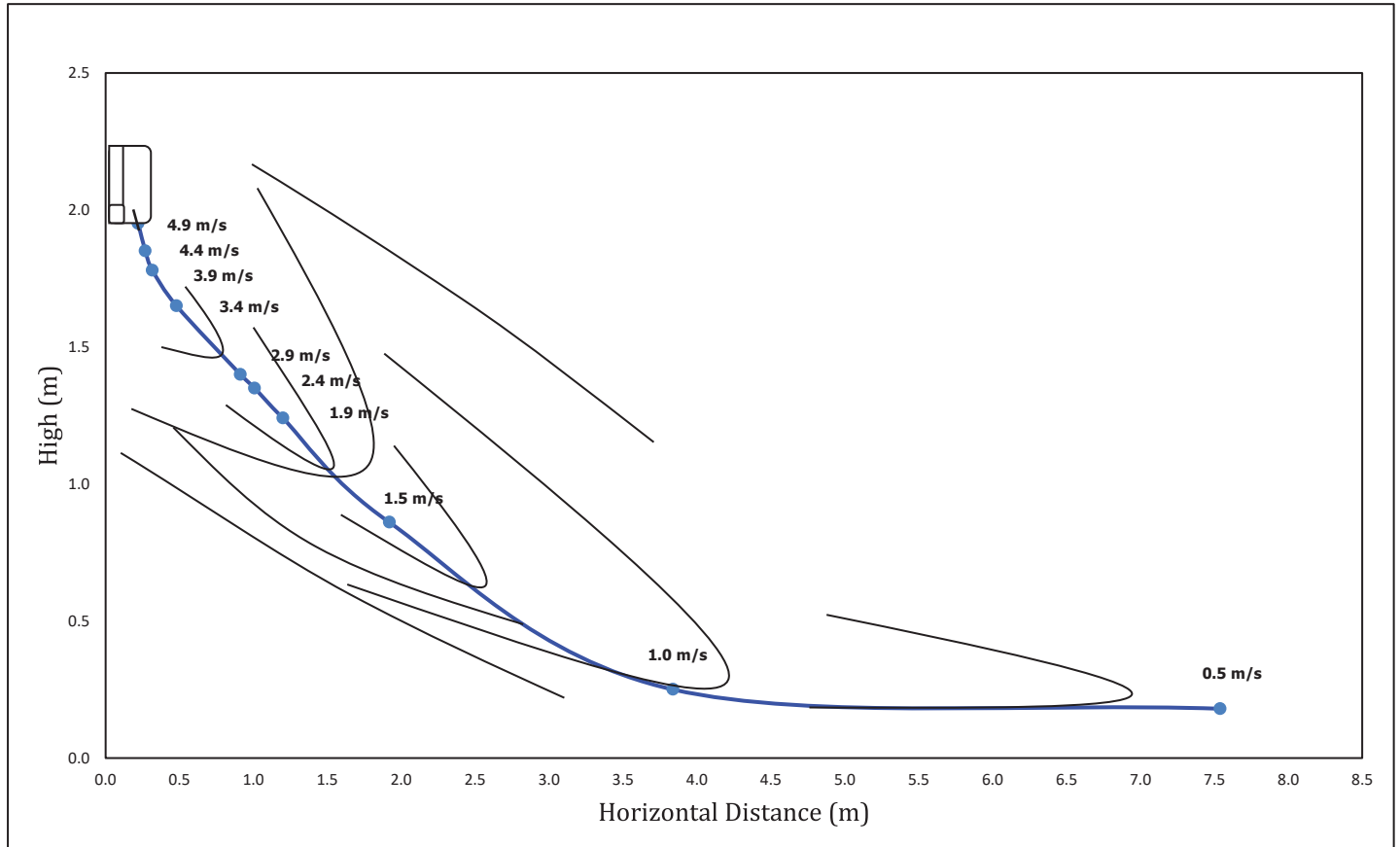
NOTE :

- The maximum pipe length of this air conditioner is 15 m. When the pipe length exceeds 10m, the additional charging of refrigerant, 20g per 1m for the part of pipe exceeded 10m is required. (Max. 100g)

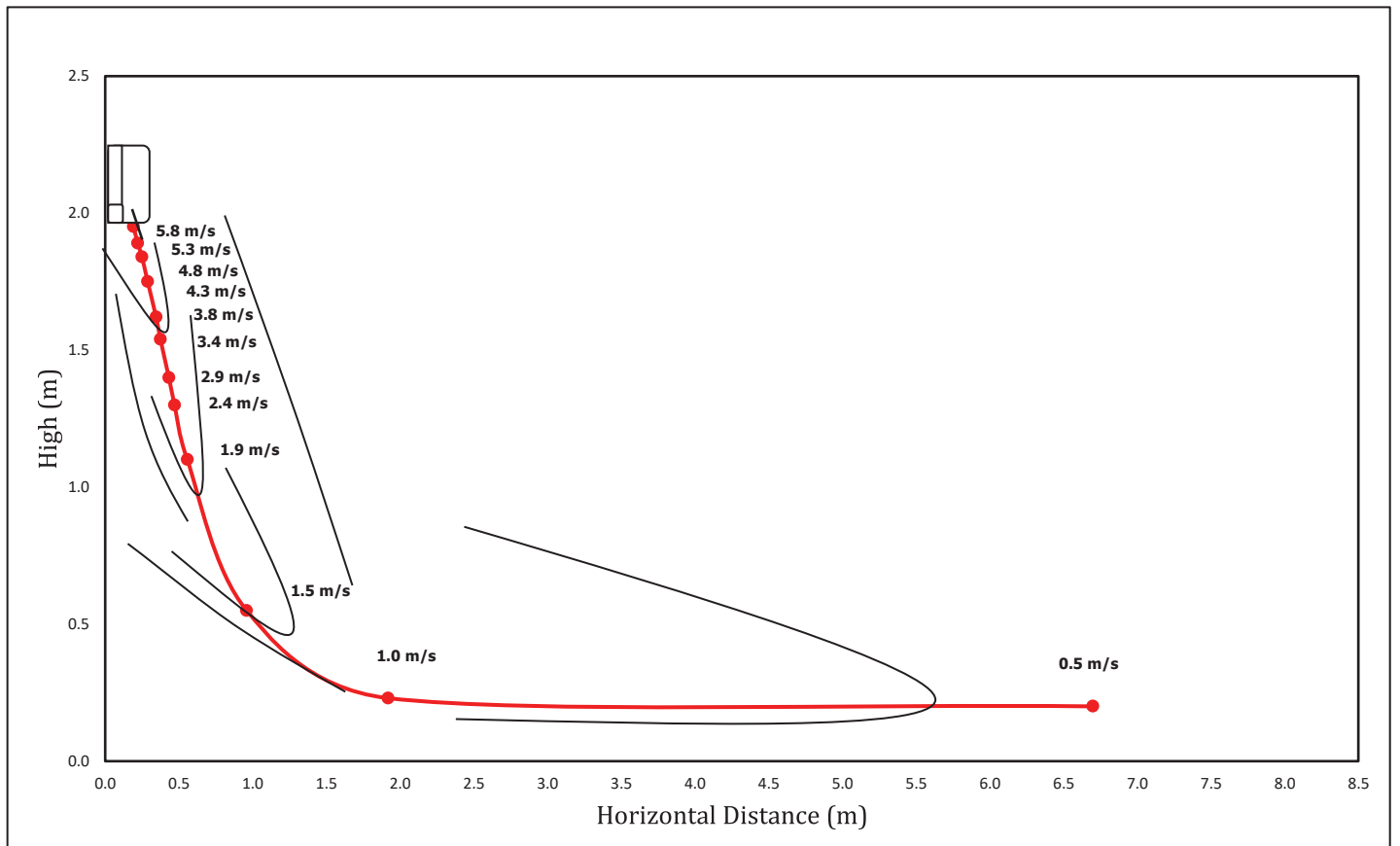
6. Air Speed Distribution

Indoor Unit : RAS-B05B2KVG-E ; RAS-05B2AVG-E

Cooling

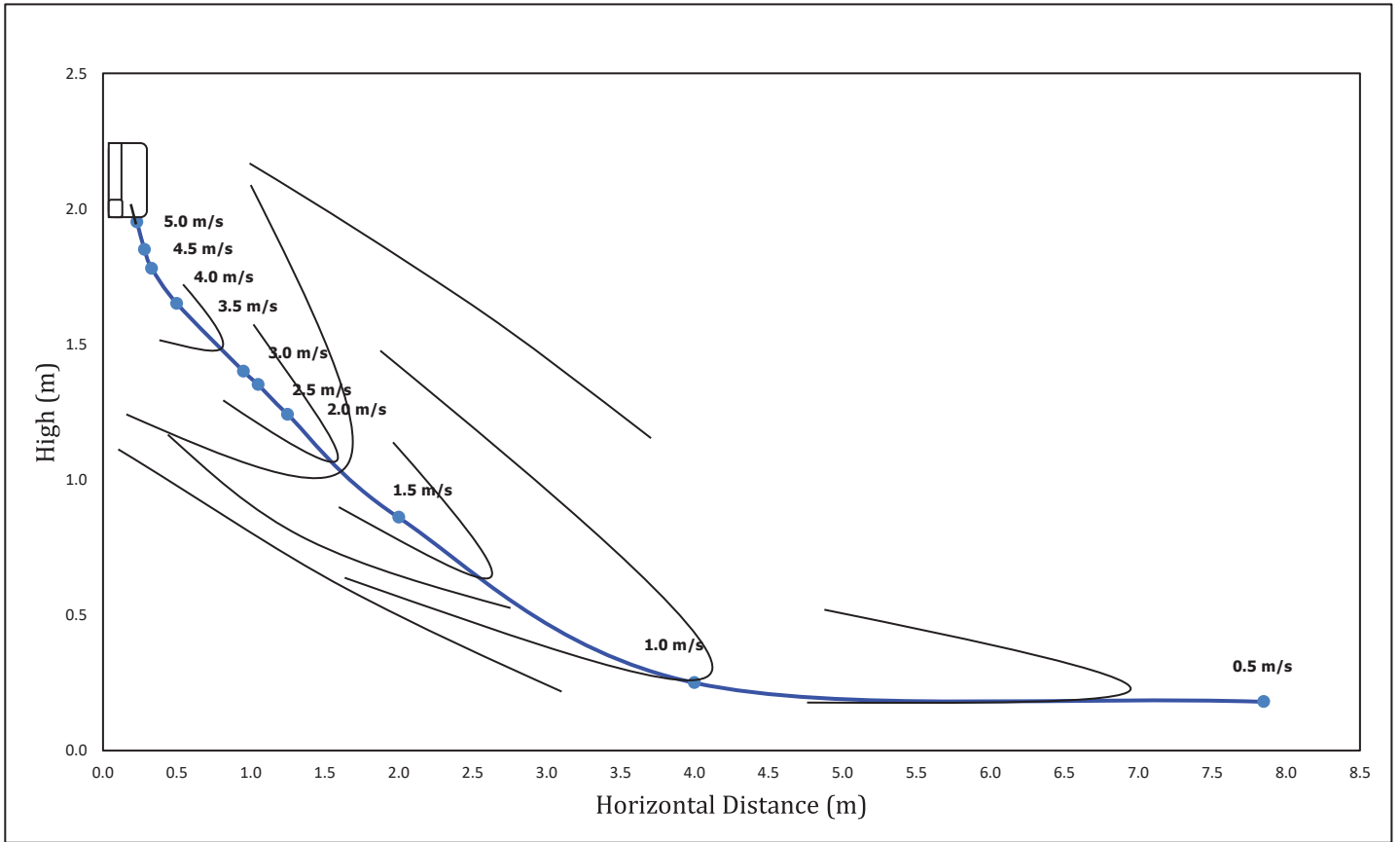


Heating

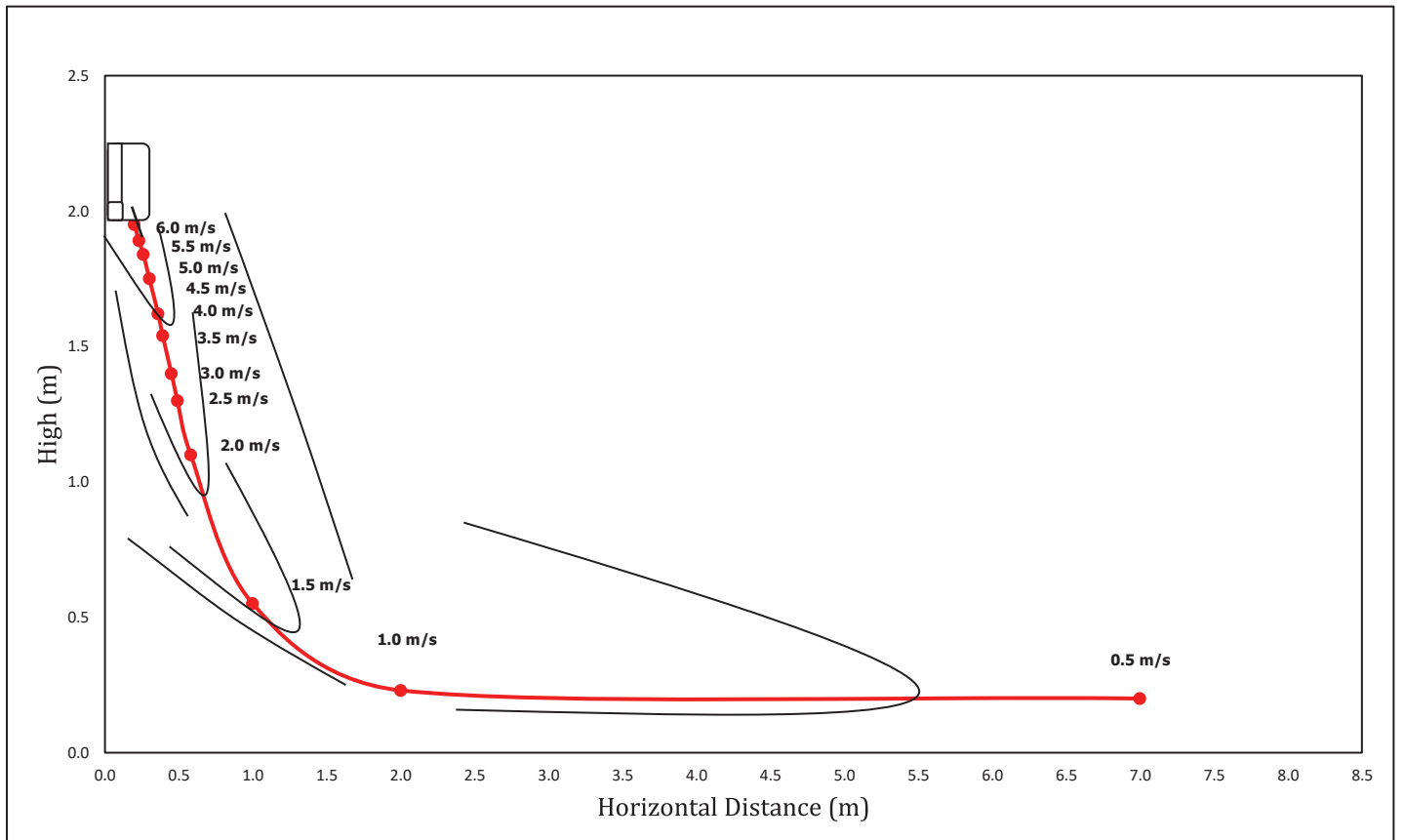


Indoor Unit : RAS-B07B2KVG-E ; RAS-07B2AVG-E

Cooling

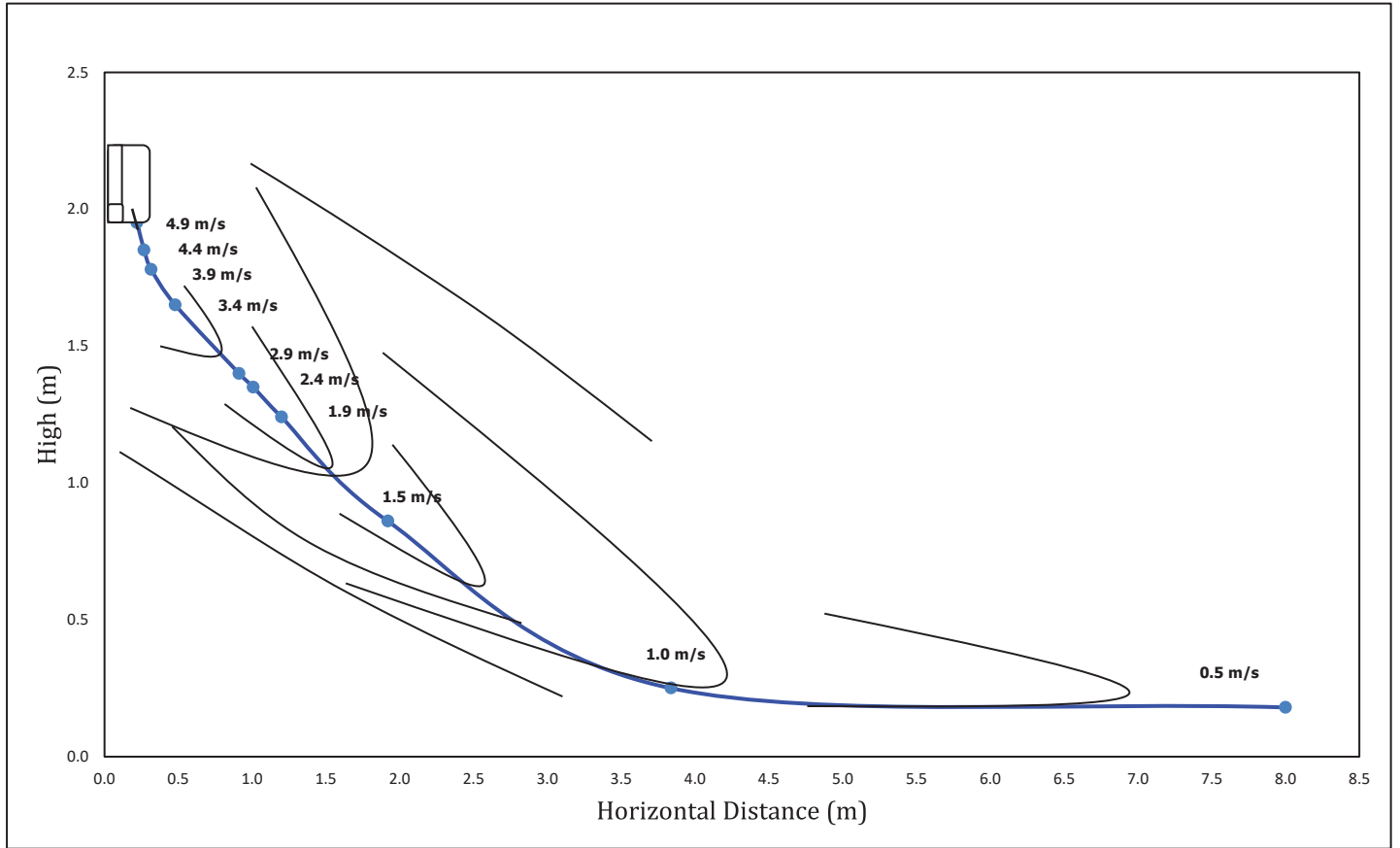


Heating

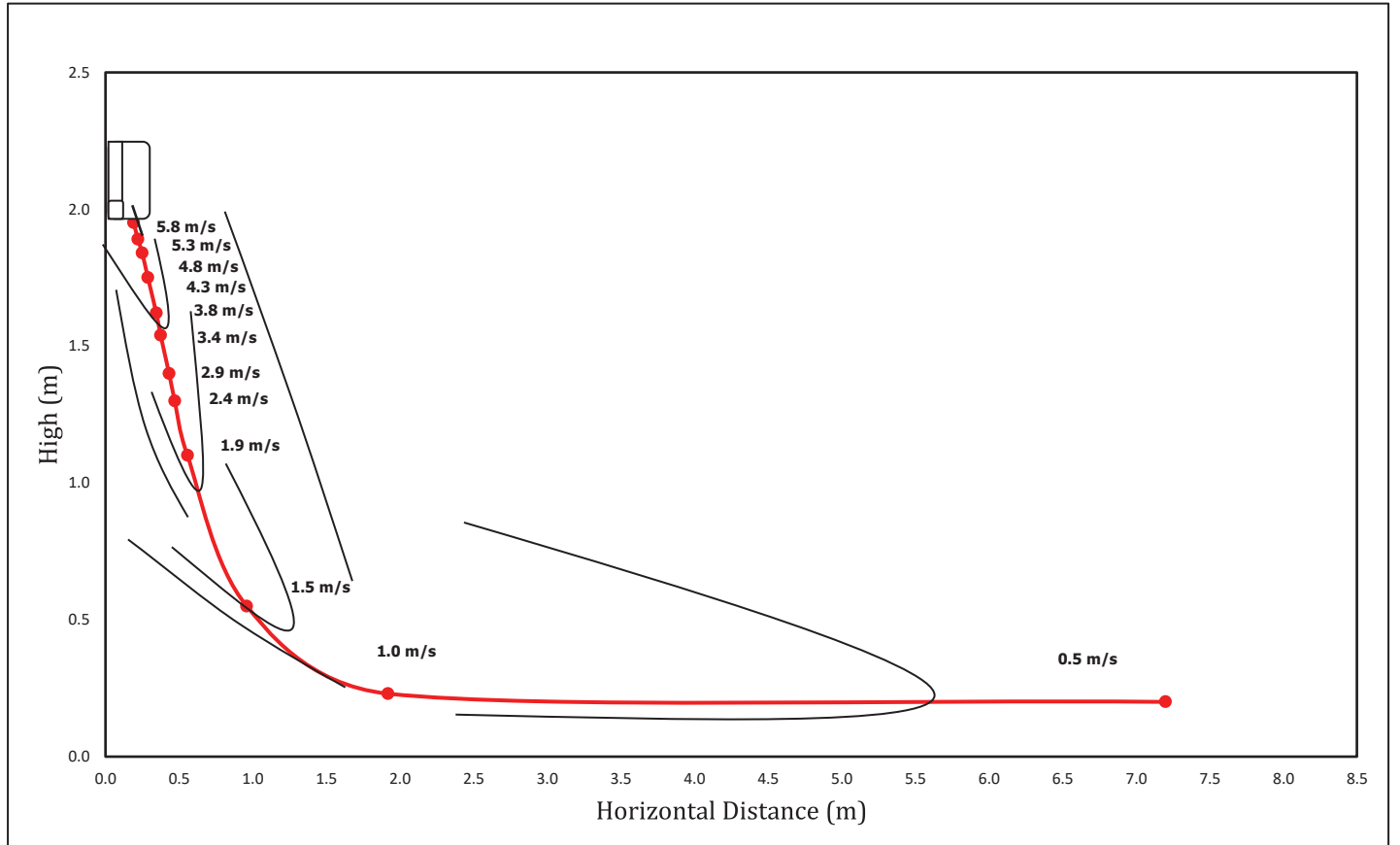


Indoor Unit : RAS-B10B2KVG-E ; RAS-10B2AVG-E

Cooling

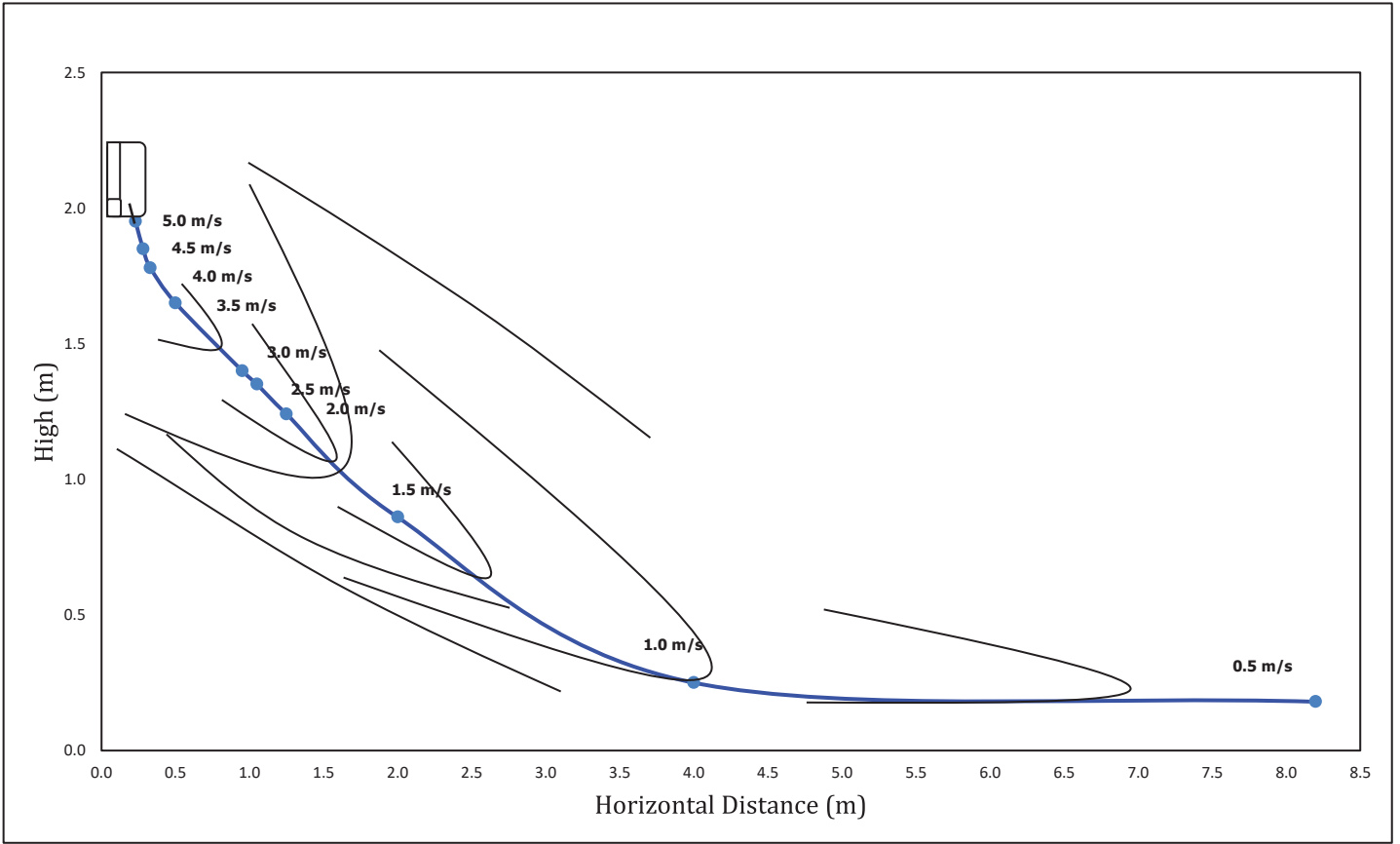


Heating

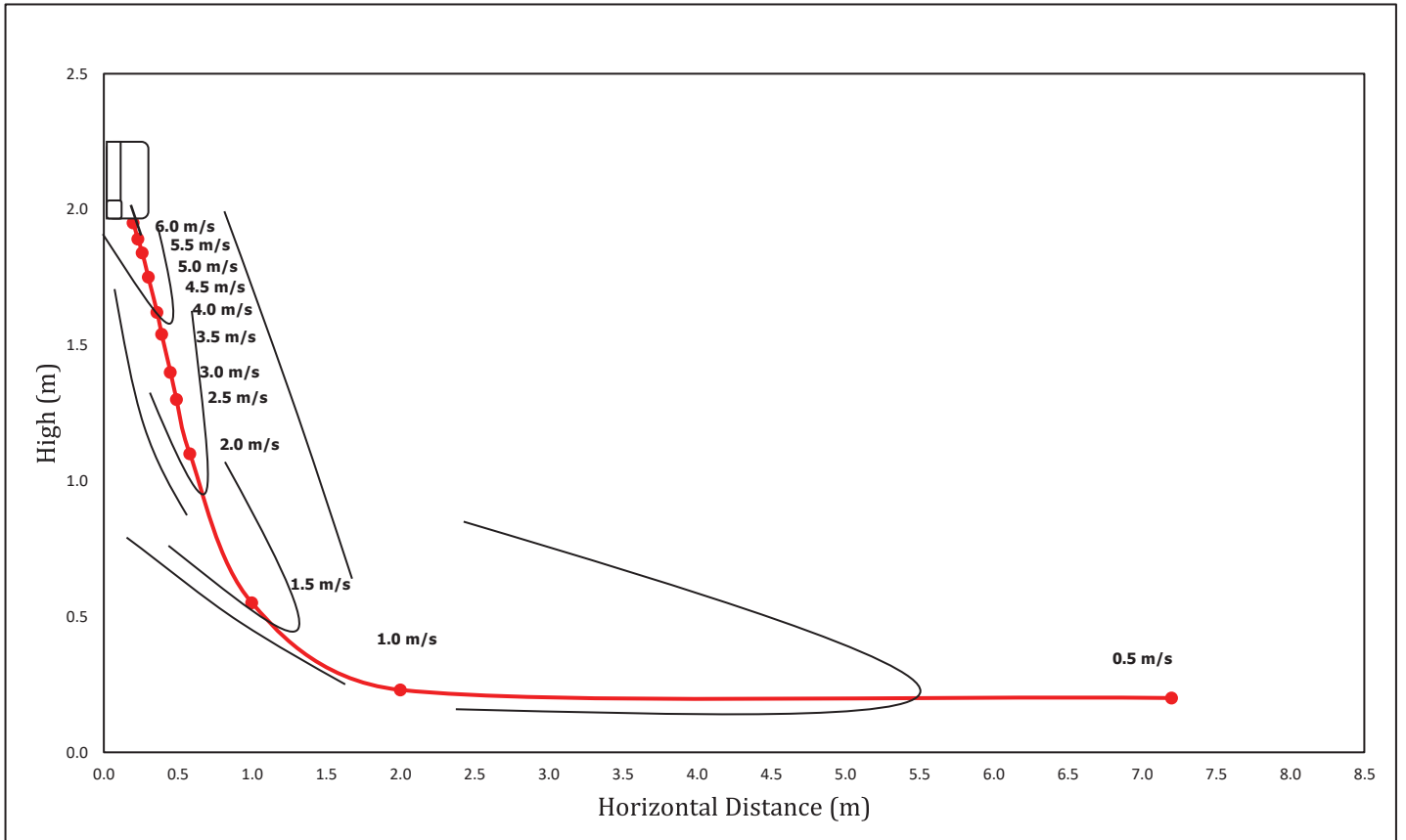


Indoor Unit : RAS-B13B2KVG-E ; RAS-13B2AVG-E

Cooling

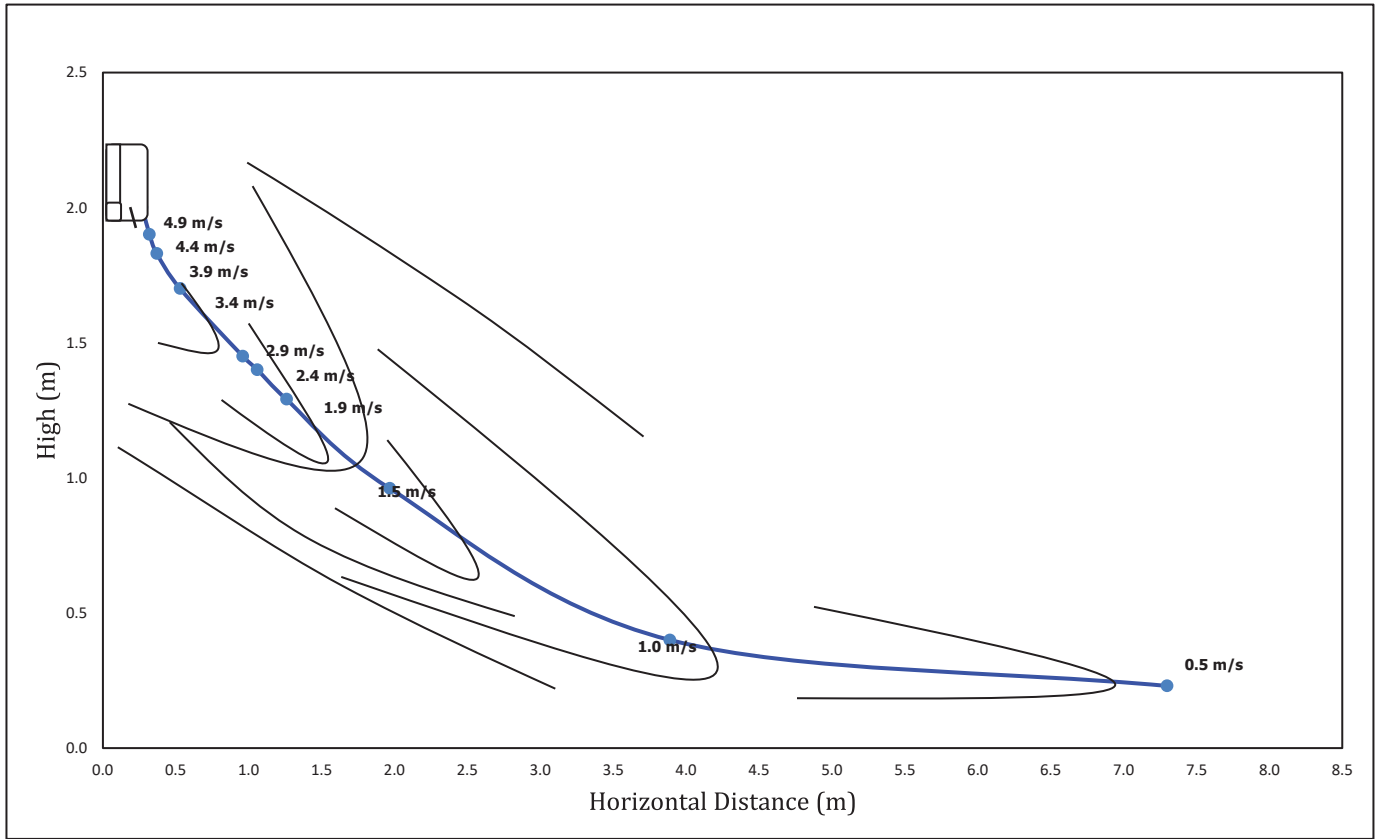


Heating

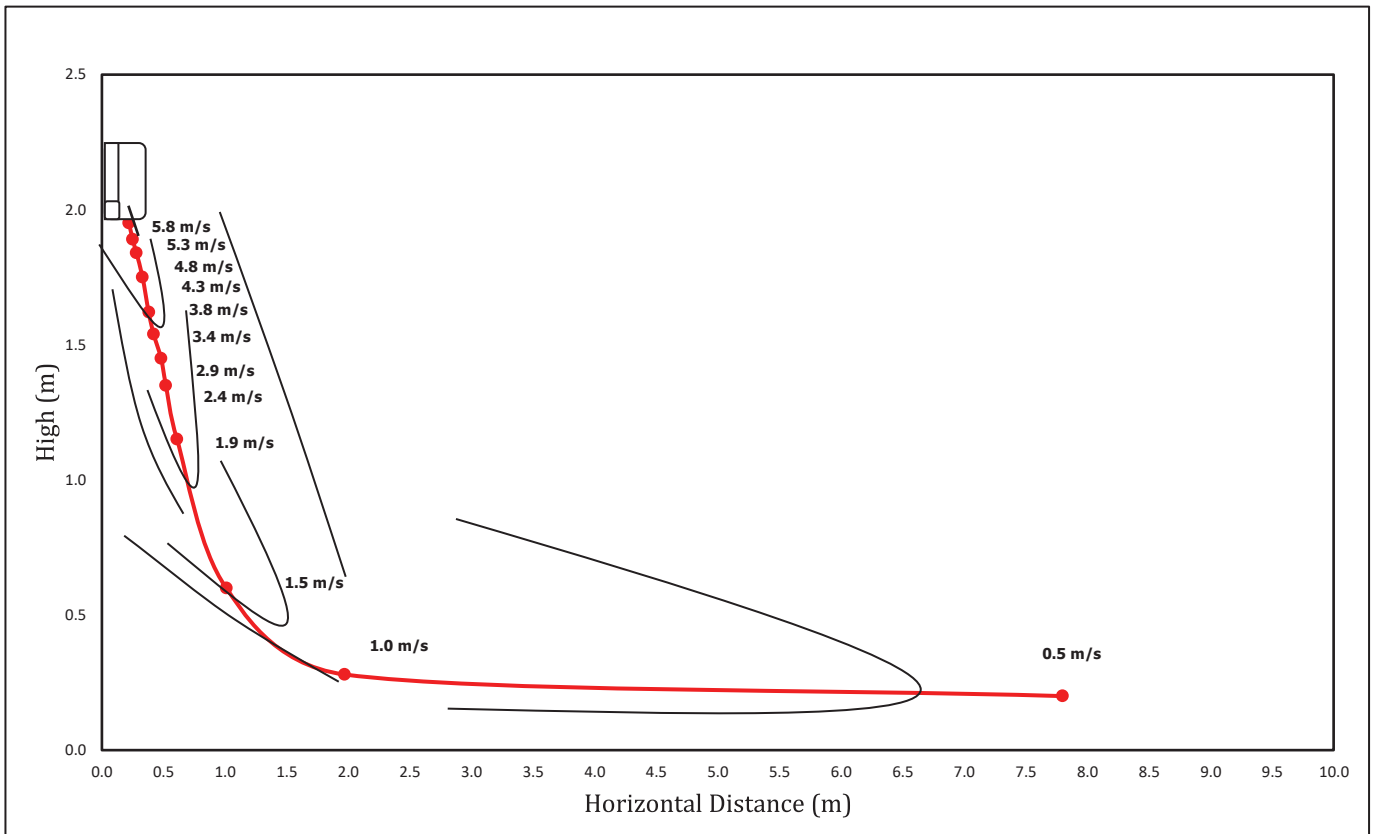


Indoor Unit : RAS-B16B2KVG-E ; RAS-16B2AVG-E

Cooling

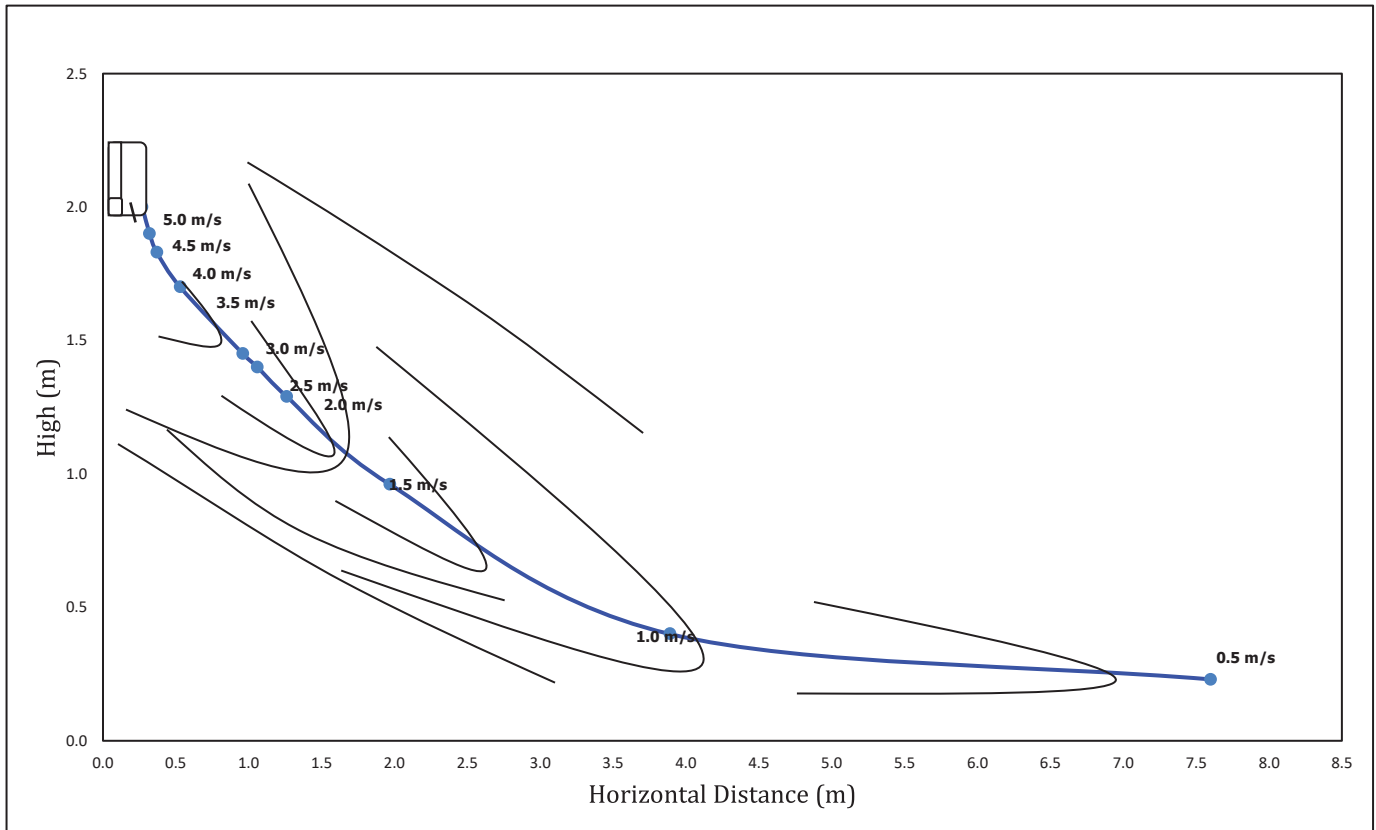


Heating

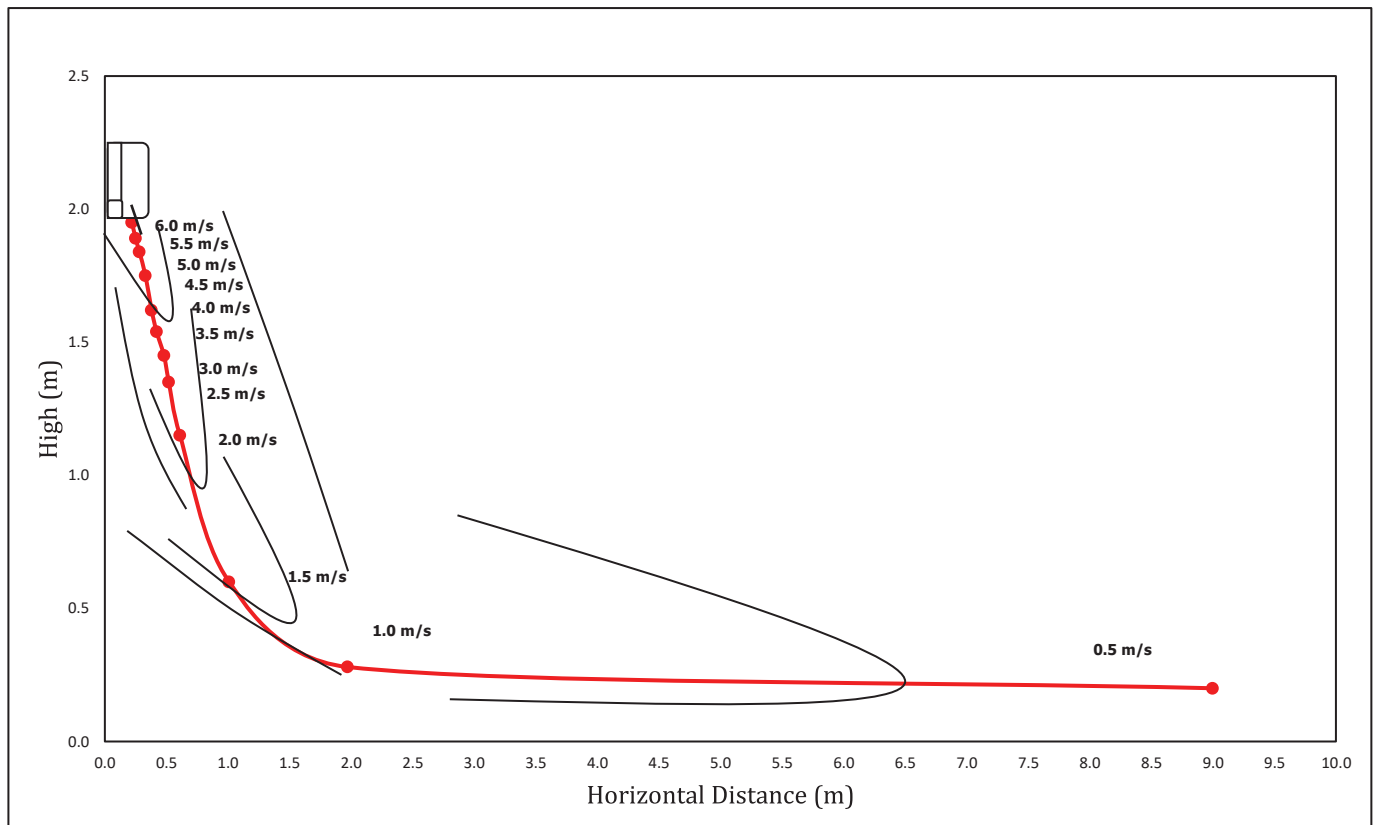


Indoor Unit : RAS-B18B2KVG-E ; RAS-18B2AVG-E

Cooling

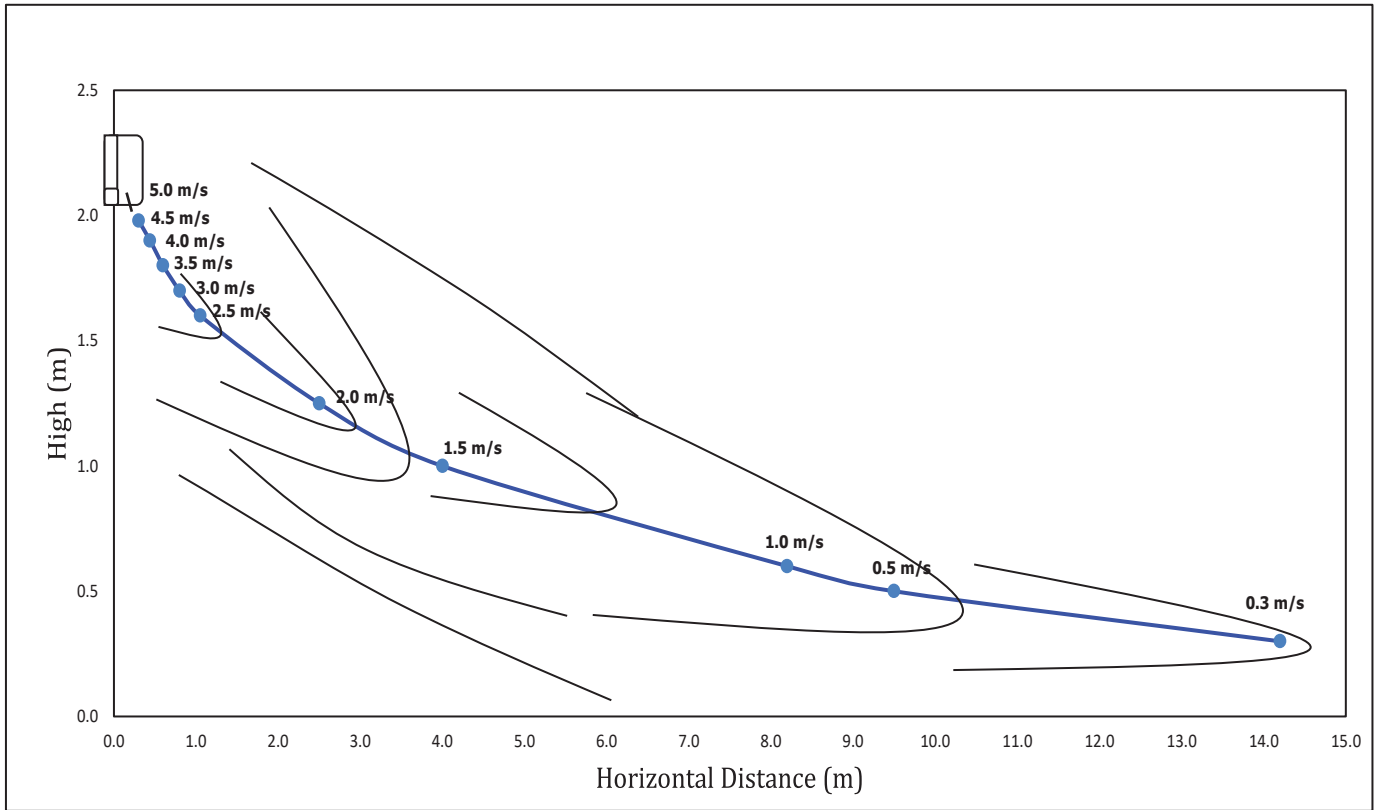


Heating

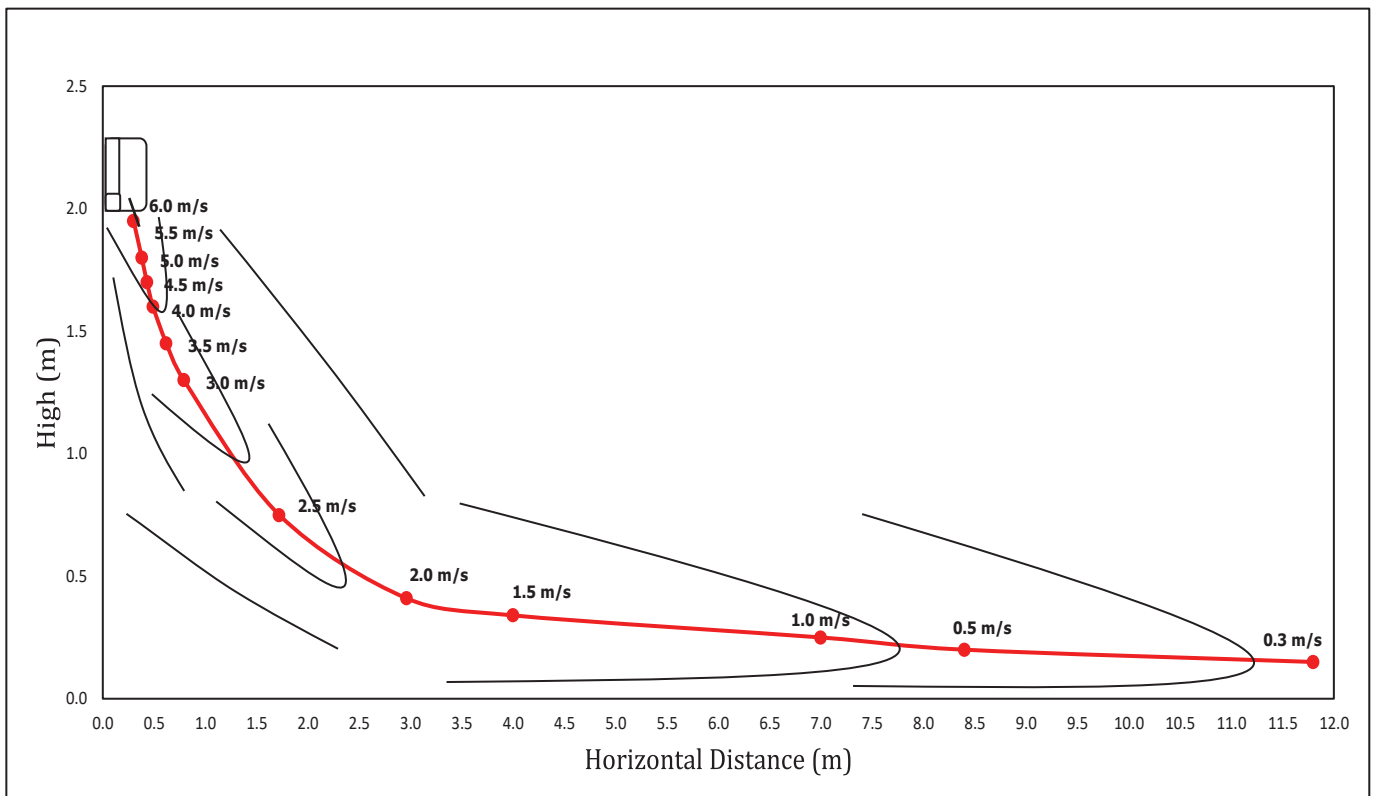


Indoor Unit : RAS-B24B2KVG-E ; RAS-24B2AVG-E

Cooling



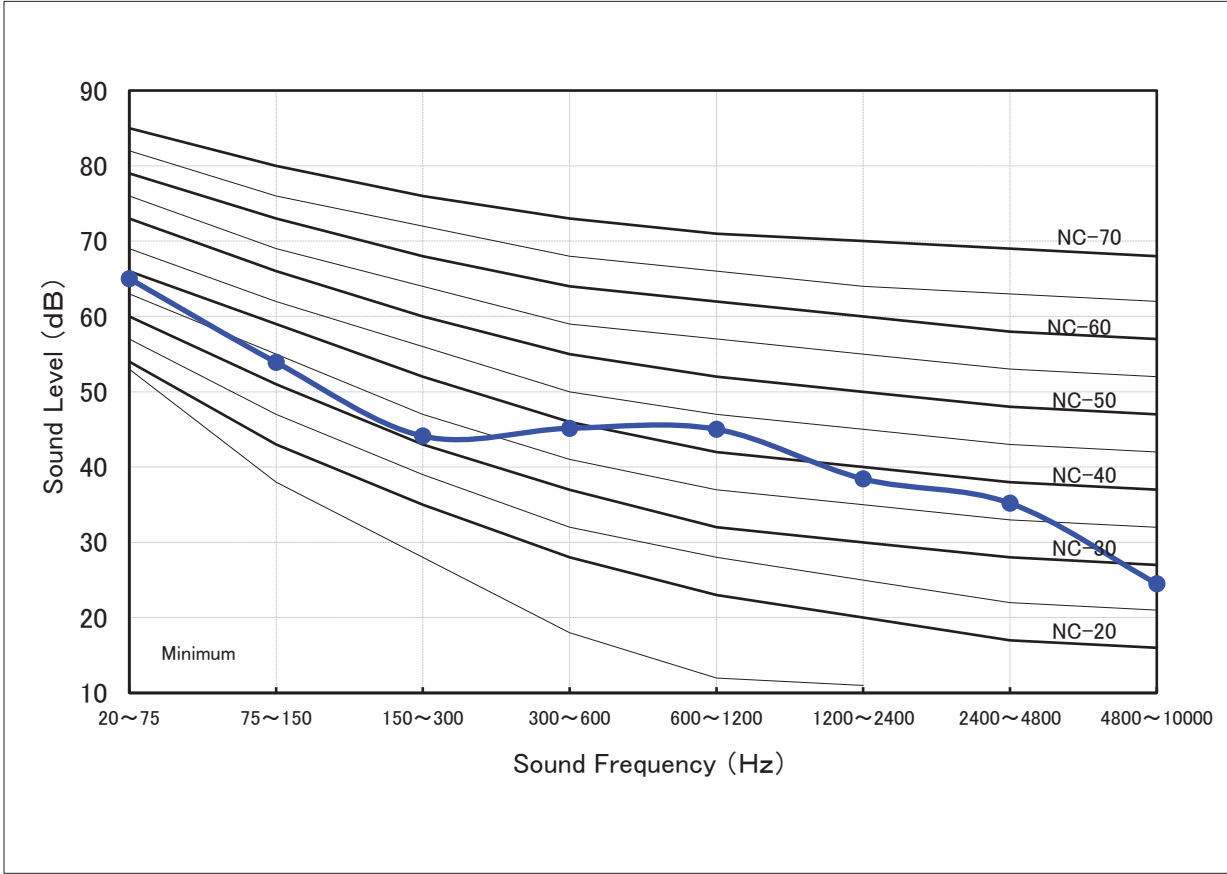
Heating



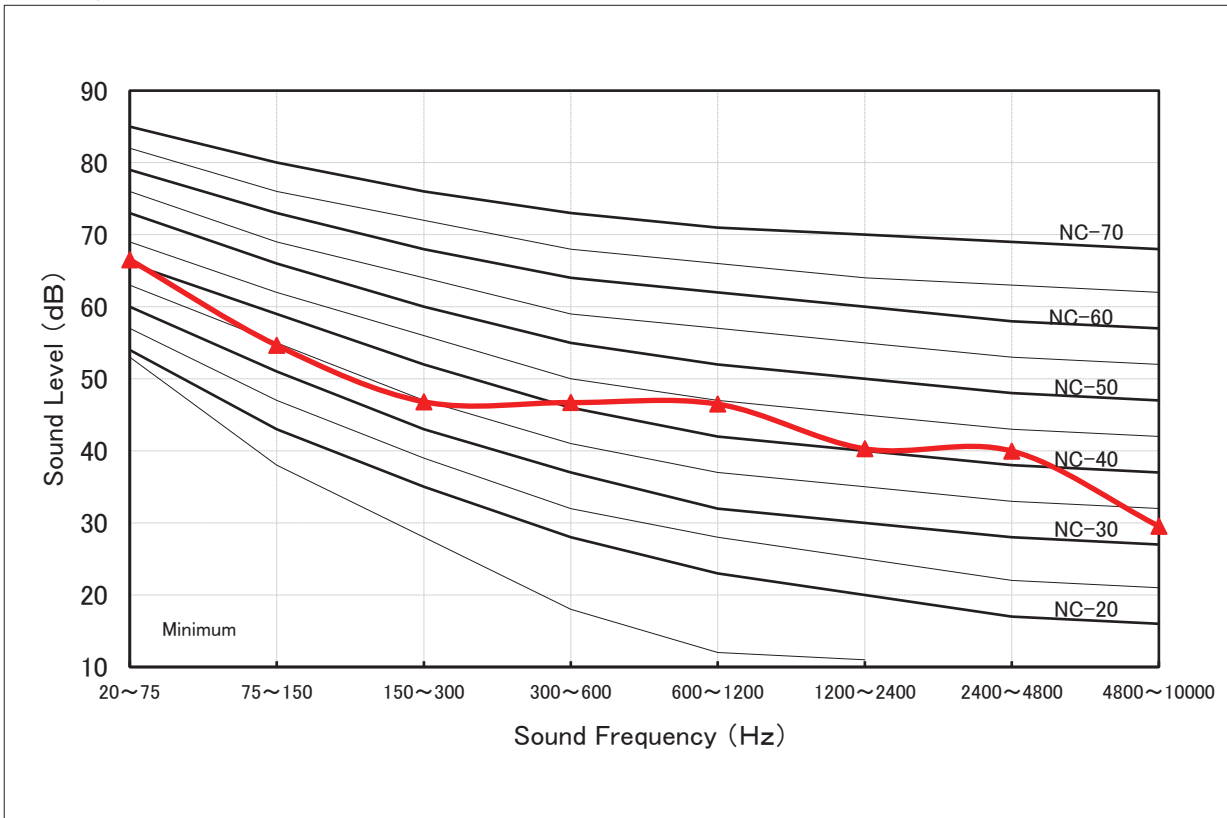
7. Sound Characteristics (NC Curve)

Outdoor Unit : RAS-05B2AVG-E

Measured point	Sound pressure (dB)	
	Cooling	Heating
Horizontal 1.0 m	49	50



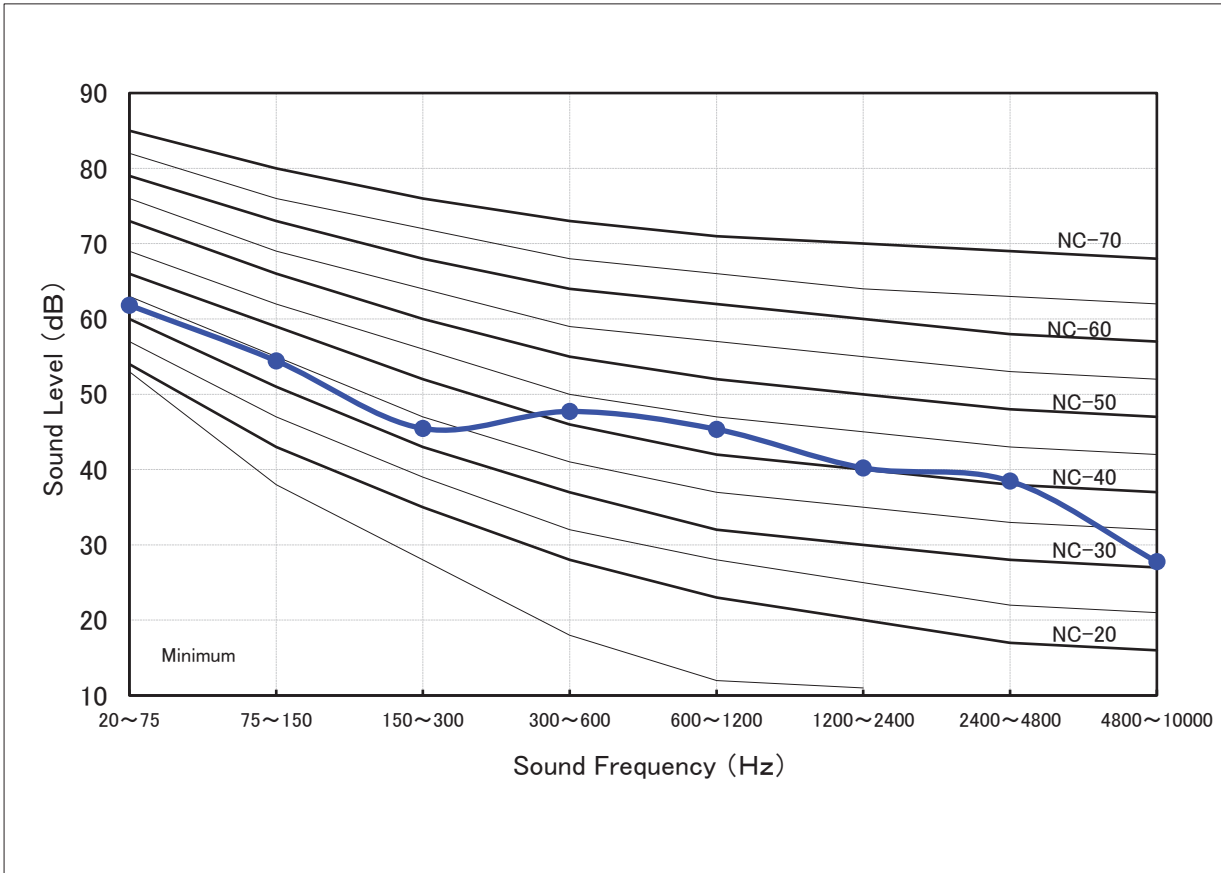
Heating



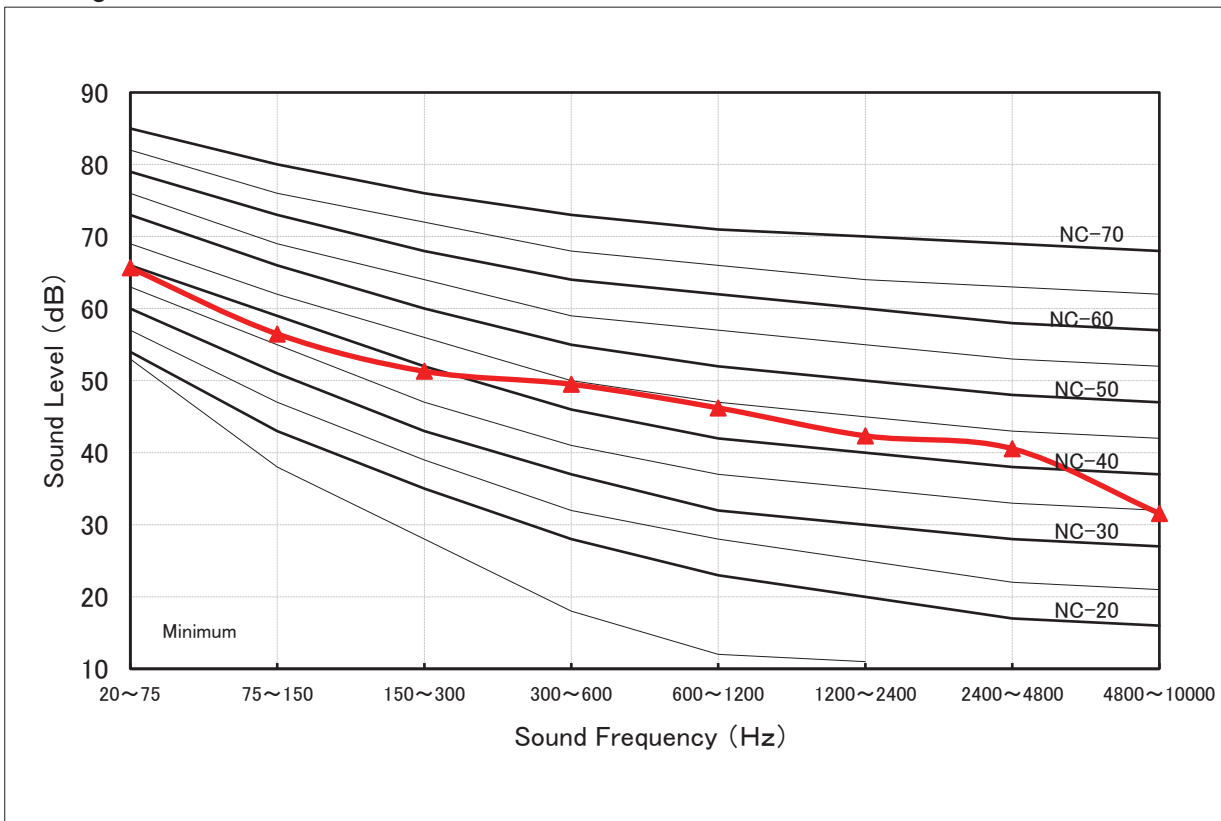
Outdoor Unit : RAS-07B2AVG-E

Measured point	Sound pressure (dB)	
	Cooling	Heating
Horizontal 1.0 m	49	51

Cooling



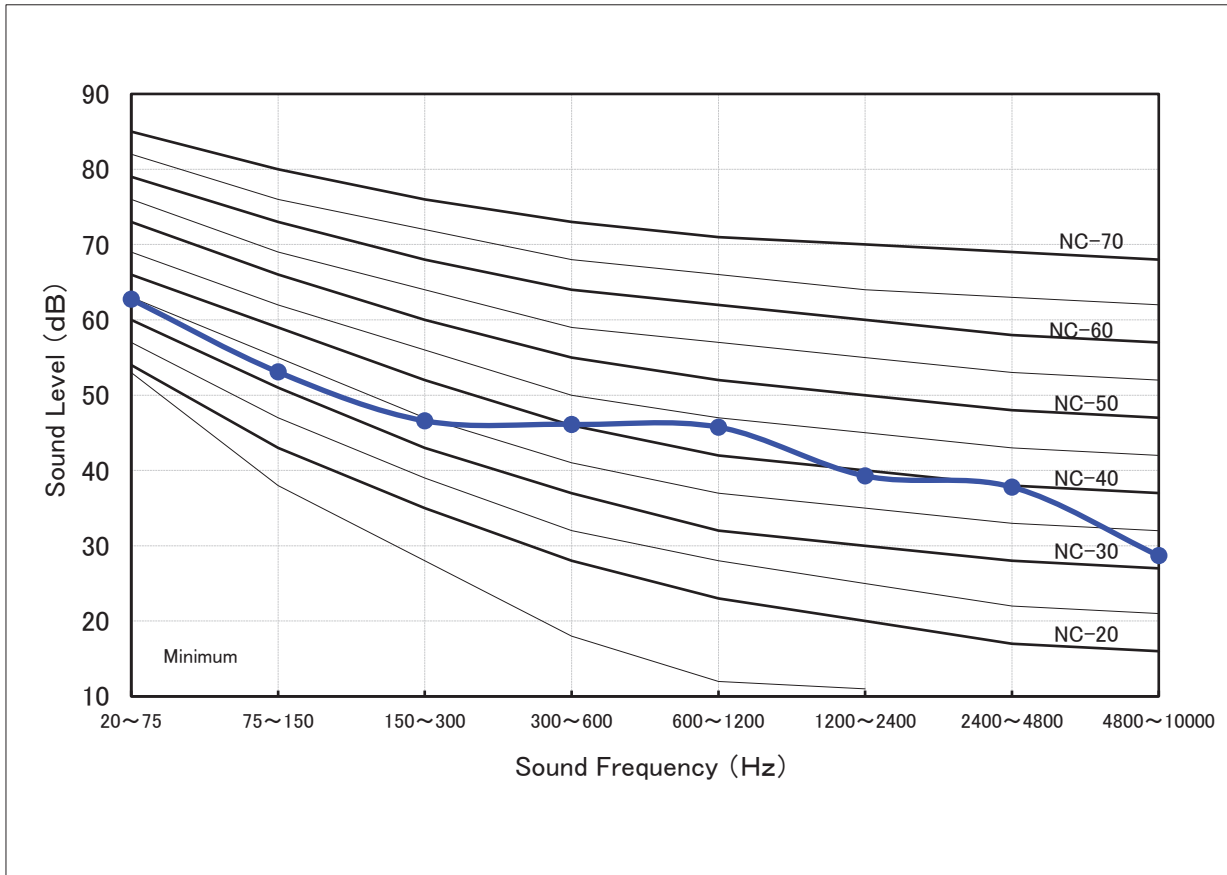
Heating



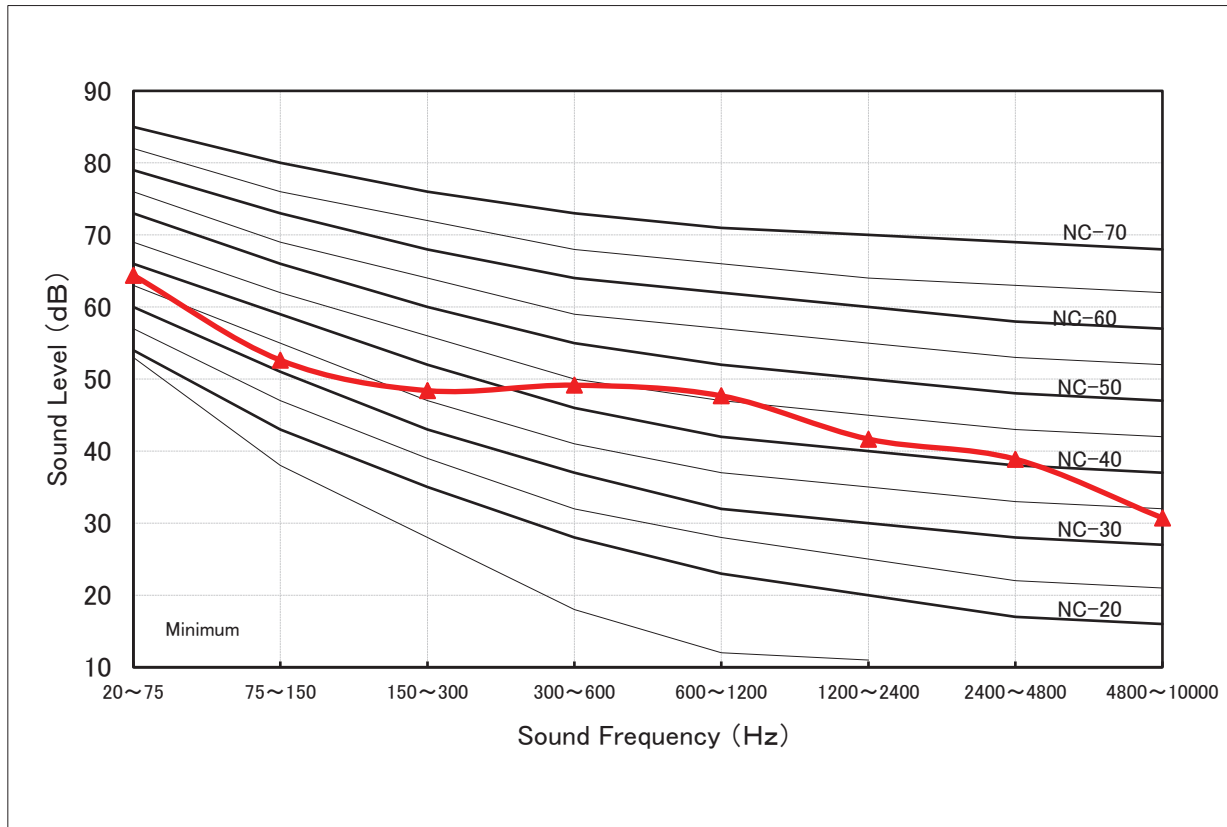
Outdoor Unit : RAS-10B2AVG-E

Measured point	Sound pressure (dB)	
	Cooling	Heating
Horizontal 1.0 m	49	51

Cooling



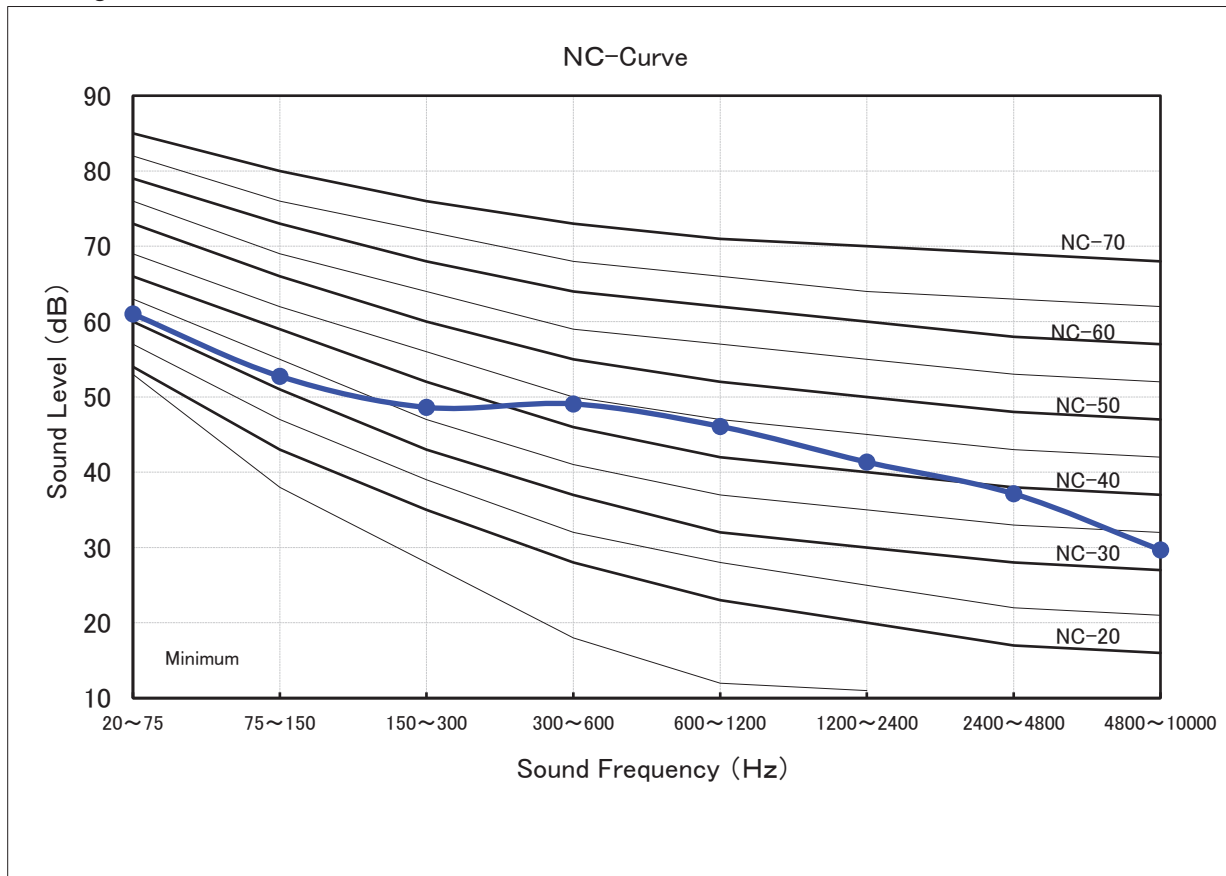
Heating



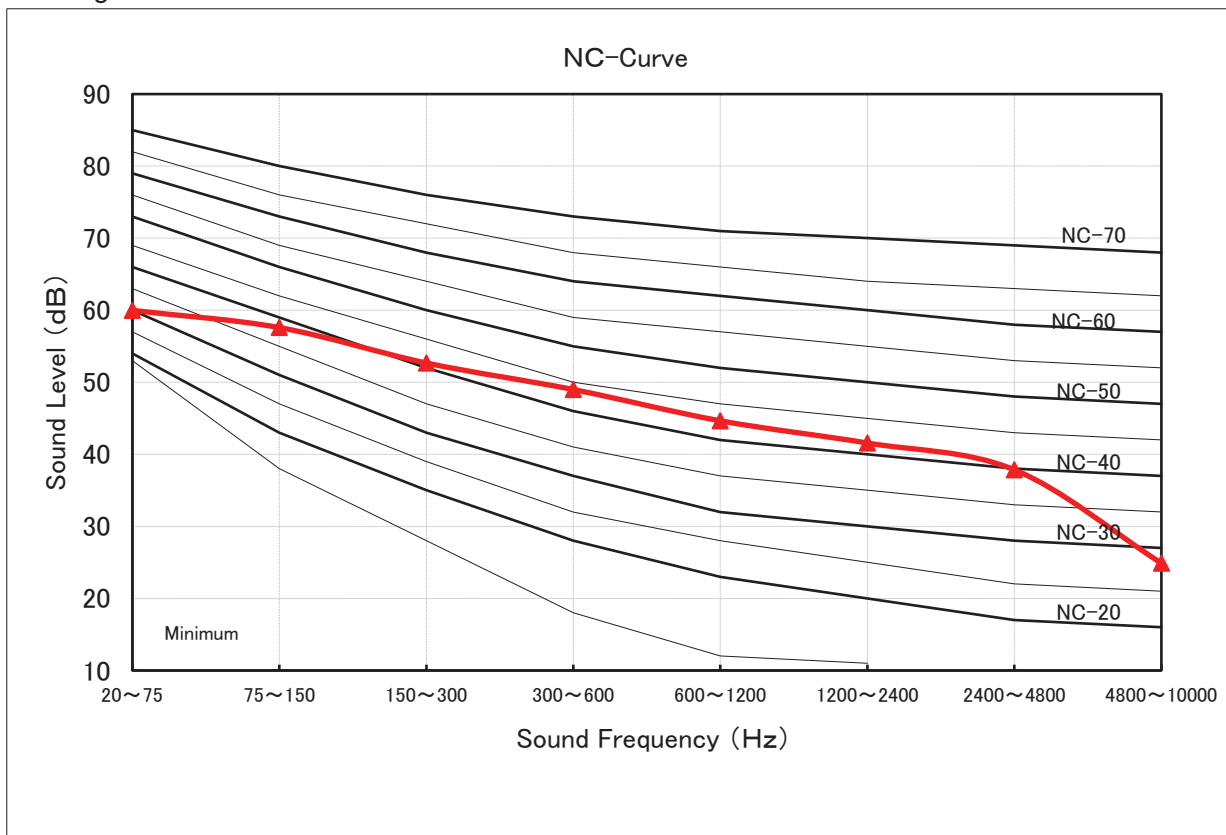
Outdoor Unit : RAS-13B2AVG-E

Measured point	Sound pressure (dB)	
	Cooling	Heating
Horizontal 1.0 m	50	52

Cooling



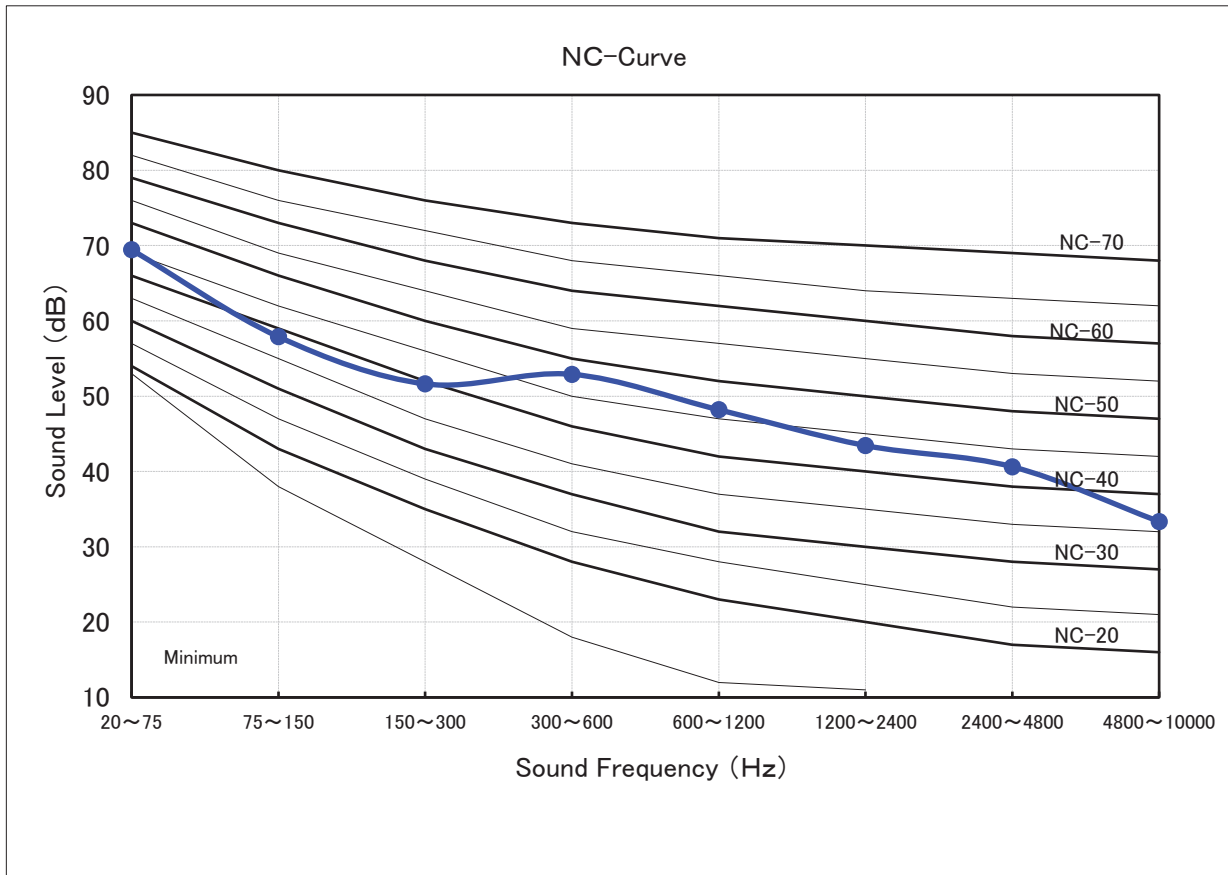
Heating



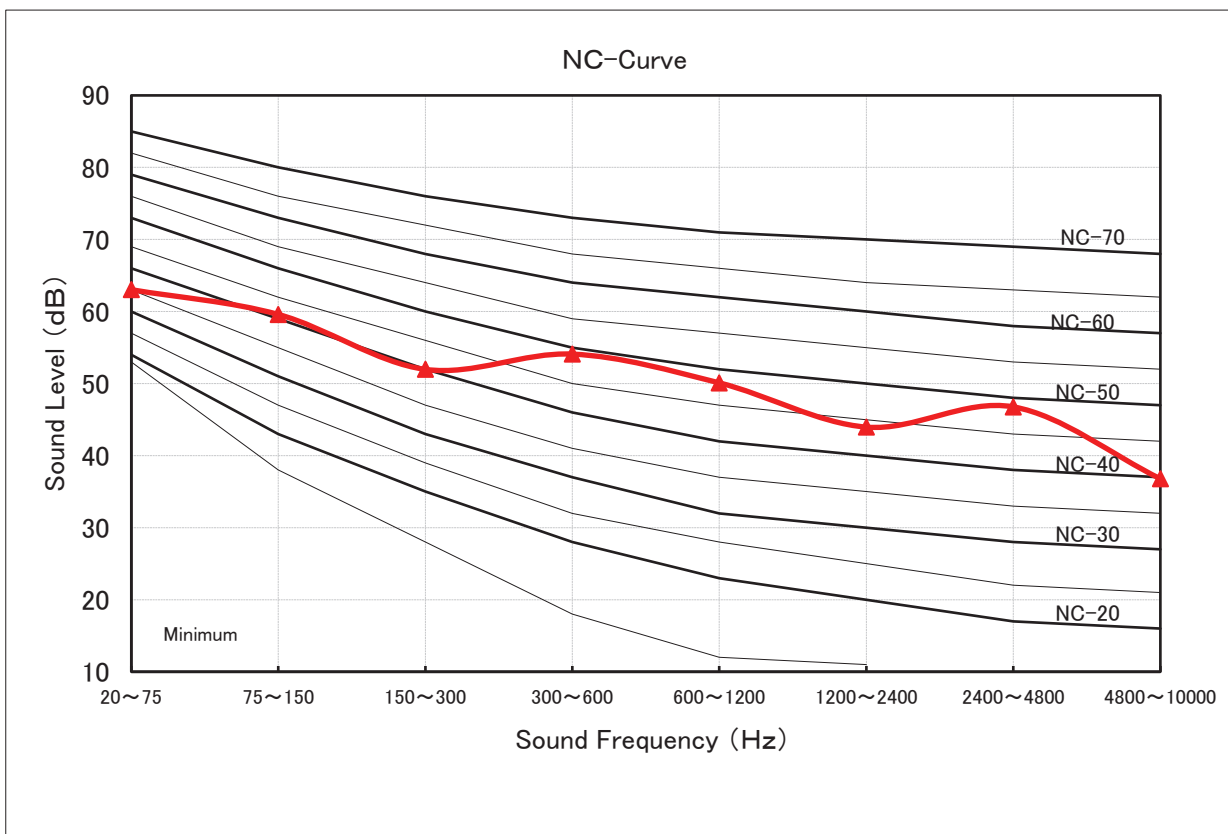
Outdoor Unit : RAS-16B2AVG-E

Measured point	Sound pressure (dB)	
	Cooling	Heating
Horizontal 1.0 m	52	53

Cooling



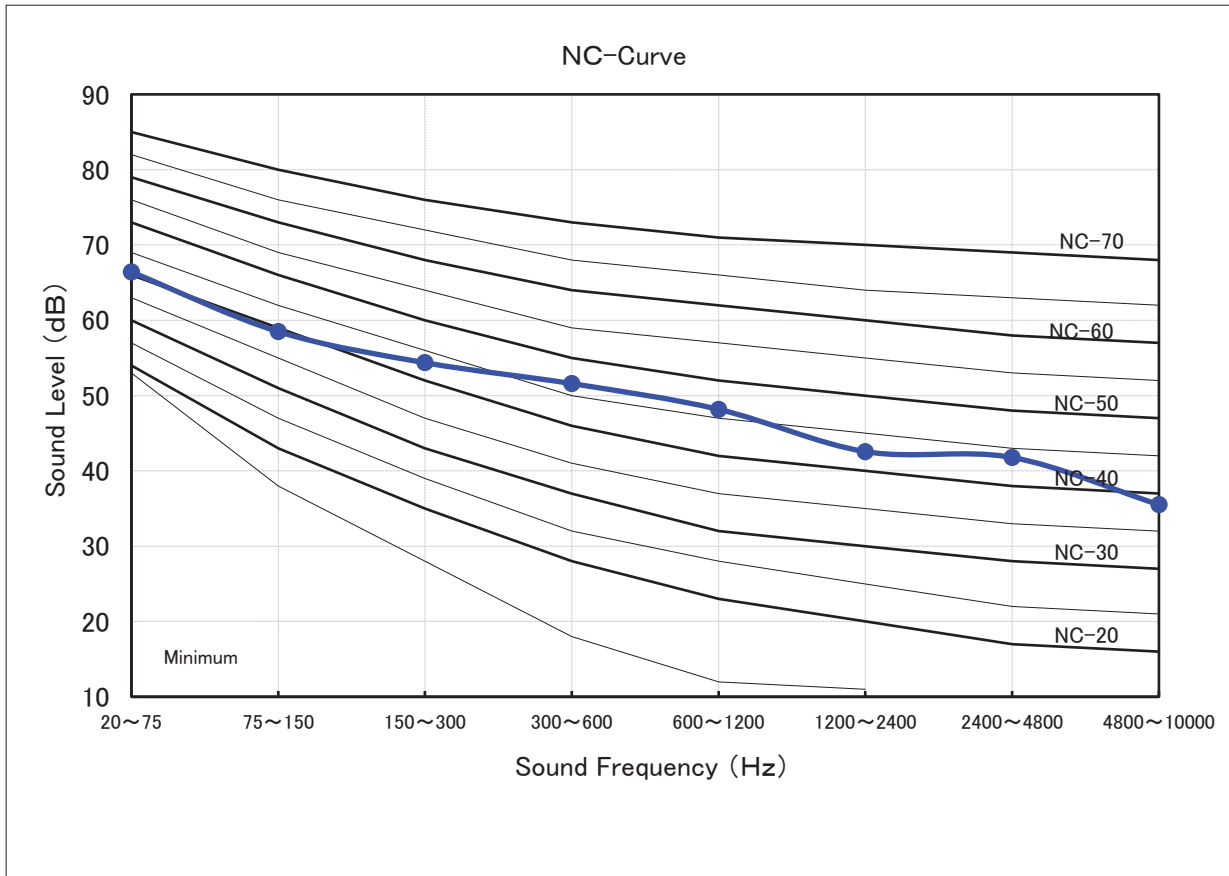
Heating



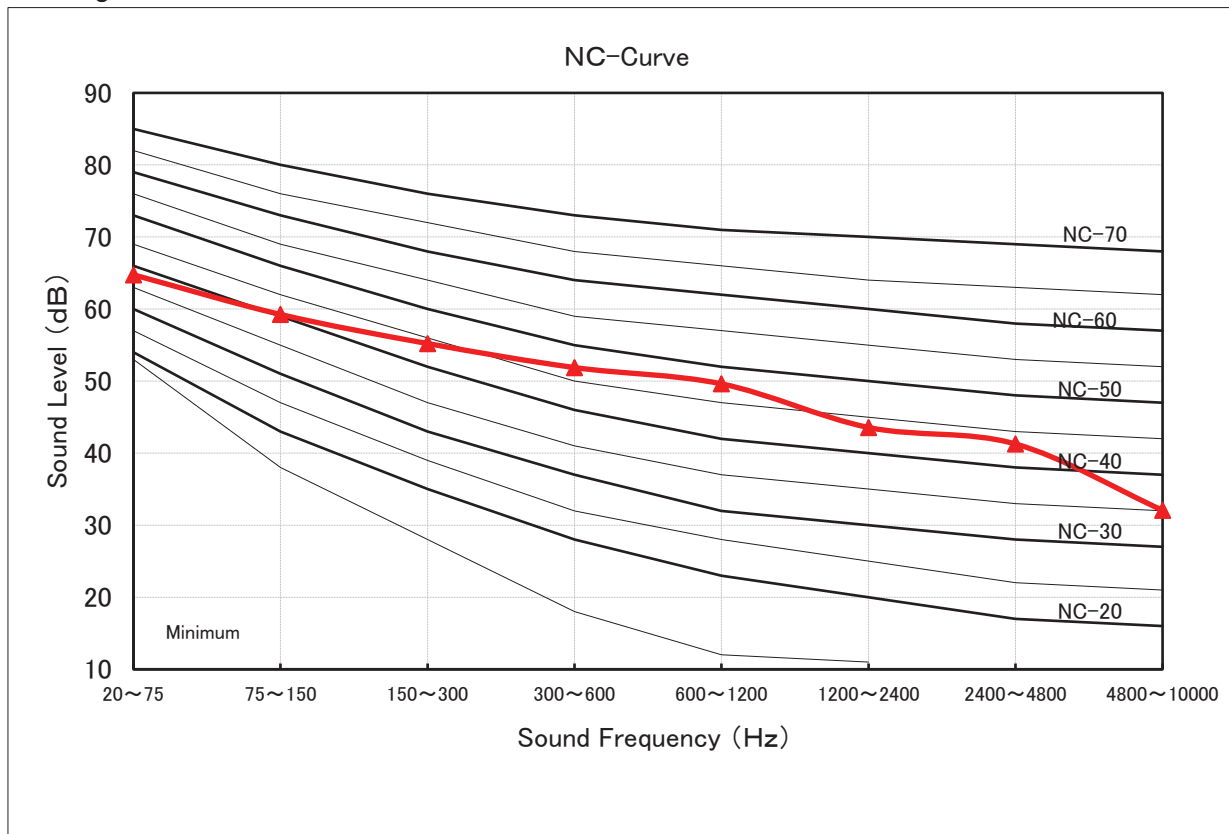
Outdoor Unit : RAS-18B2AVG-E

Measured point	Sound pressure (dB)	
	Cooling	Heating
Horizontal 1.0 m	52	53

Cooling



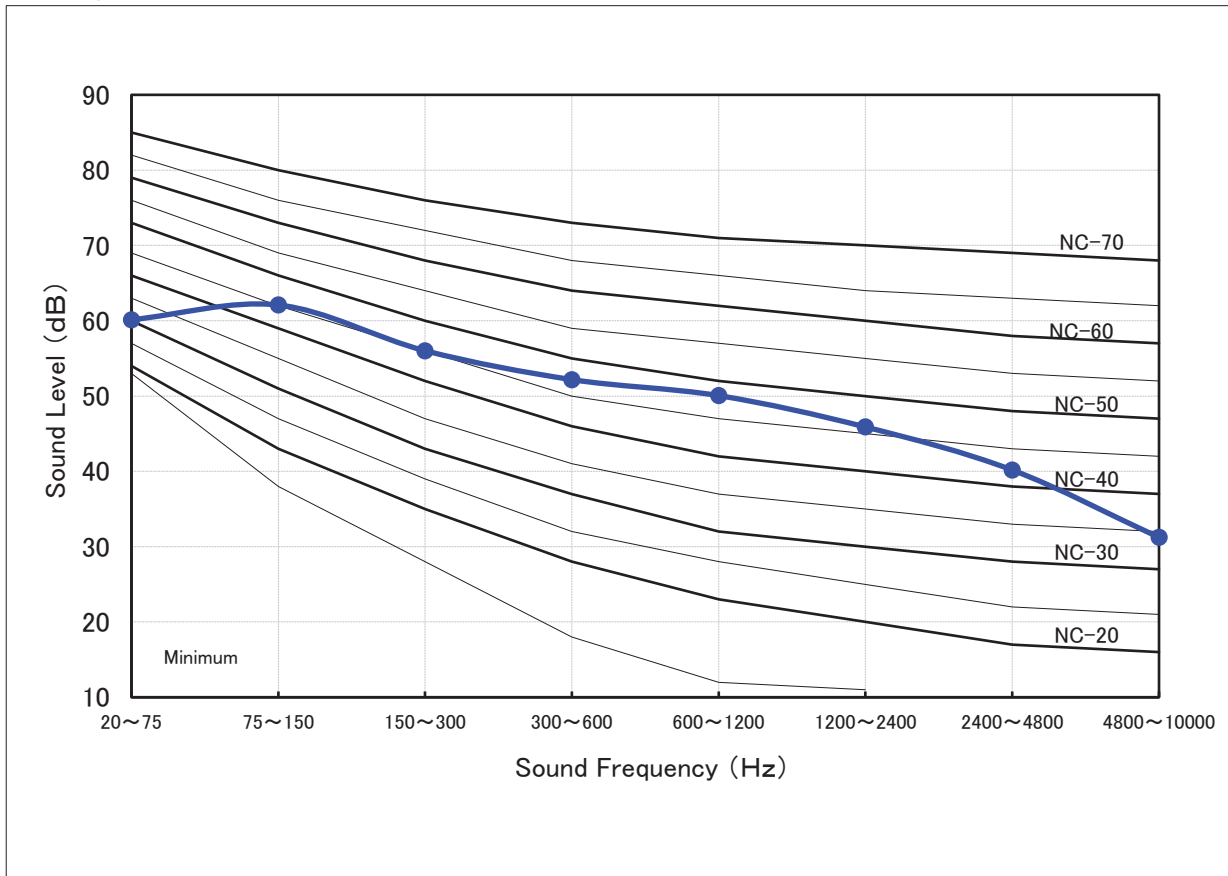
Heating



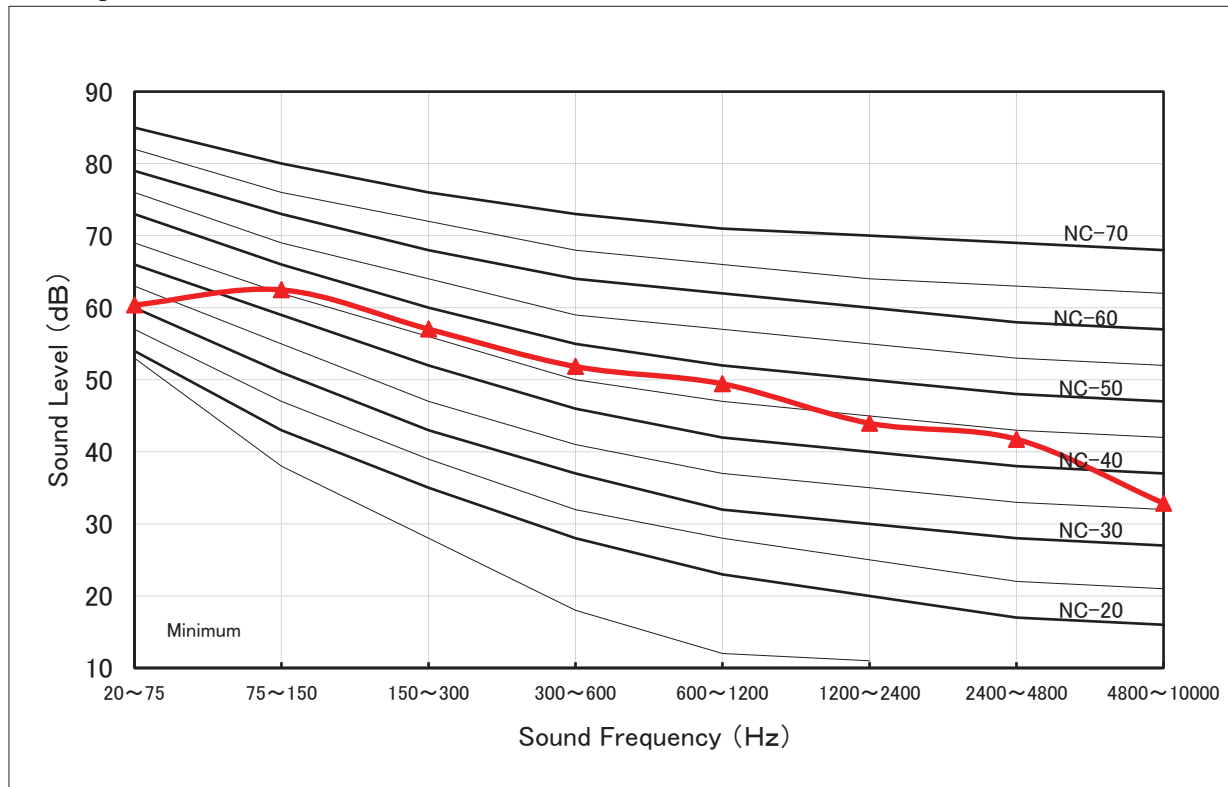
Outdoor Unit : RAS-24B2AVG-E

Measured point	Sound pressure (dB)	
	Cooling	Heating
Horizontal 1.0 m	56	56

Cooling



Heating



8. Capacity Table

Product models : RAS-B05B2KVG-E ; RAS-05B2AVG-E

Specification of product at standard condition

Standard Condition	Indoor	27°C (DB) / 19°C (WB)	Total Cooling Capacity (TC)	1.50 kW
	Outdoor	35°C (DB) / 24°C (WB)	Sensible Heat Capacity (SHC)	1.20 kW

Outdoor air temperature DB (°C)	Indoor air temperature													
	20.0°C (DB) 14.0°C (WB)		23.0°C (DB) 16.0°C (WB)		26.0°C (DB) 18.0°C (WB)		27.0°C (DB) 19.0°C (WB)		28.0°C (DB) 20.0°C (WB)		30.0°C (DB) 22.0°C (WB)		32.0°C (DB) 24.0°C (WB)	
	TC	SHC	TC	SHC	TC	SHC	TC	SHC	TC	SHC	TC	SHC	TC	SHC
20	1.47	1.26	1.62	1.35	1.74	1.43	1.79	1.43	1.84	1.43	1.95	1.42	2.04	1.39
21	1.45	1.25	1.61	1.33	1.72	1.42	1.77	1.42	1.82	1.41	1.93	1.40	2.02	1.37
22	1.44	1.24	1.59	1.32	1.70	1.40	1.75	1.40	1.80	1.40	1.91	1.39	1.99	1.36
23	1.42	1.22	1.57	1.30	1.68	1.39	1.73	1.38	1.78	1.38	1.89	1.37	1.97	1.34
24	1.41	1.21	1.55	1.29	1.66	1.37	1.71	1.37	1.76	1.37	1.86	1.36	1.95	1.33
25	1.39	1.20	1.54	1.28	1.64	1.36	1.69	1.35	1.74	1.35	1.84	1.34	1.93	1.31
26	1.37	1.18	1.52	1.26	1.63	1.34	1.67	1.34	1.72	1.34	1.82	1.33	1.91	1.30
27	1.36	1.17	1.50	1.25	1.61	1.33	1.65	1.32	1.70	1.32	1.80	1.31	1.88	1.28
28	1.34	1.16	1.48	1.23	1.59	1.31	1.63	1.31	1.68	1.31	1.78	1.29	1.86	1.27
29	1.33	1.14	1.47	1.22	1.57	1.29	1.62	1.29	1.66	1.29	1.76	1.28	1.84	1.26
30	1.31	1.13	1.45	1.20	1.55	1.28	1.60	1.28	1.64	1.28	1.74	1.26	1.82	1.24
31	1.30	1.12	1.43	1.19	1.53	1.26	1.58	1.26	1.62	1.26	1.72	1.25	1.80	1.23
32	1.28	1.10	1.41	1.17	1.51	1.25	1.56	1.25	1.60	1.25	1.70	1.23	1.77	1.21
33	1.26	1.09	1.40	1.16	1.49	1.23	1.54	1.23	1.58	1.23	1.68	1.22	1.75	1.20
34	1.25	1.07	1.38	1.15	1.48	1.22	1.52	1.22	1.56	1.21	1.65	1.20	1.73	1.18
35	1.23	1.06	1.36	1.13	1.46	1.20	1.50	1.20	1.54	1.20	1.63	1.19	1.71	1.17
36	1.22	1.05	1.34	1.12	1.44	1.19	1.48	1.18	1.52	1.18	1.61	1.17	1.69	1.15
37	1.20	1.03	1.33	1.10	1.42	1.17	1.46	1.17	1.50	1.17	1.59	1.16	1.67	1.14
38	1.18	1.02	1.31	1.09	1.40	1.16	1.44	1.15	1.48	1.15	1.57	1.14	1.64	1.12
39	1.17	1.01	1.29	1.07	1.38	1.14	1.42	1.14	1.46	1.14	1.55	1.13	1.62	1.11
40	1.15	0.99	1.27	1.06	1.36	1.12	1.40	1.12	1.44	1.12	1.53	1.11	1.60	1.09
41	1.14	0.98	1.26	1.04	1.34	1.11	1.38	1.11	1.42	1.11	1.51	1.10	1.58	1.08
42	1.12	0.97	1.24	1.03	1.33	1.09	1.37	1.09	1.40	1.09	1.49	1.08	1.56	1.06
43	1.11	0.95	1.22	1.01	1.31	1.08	1.35	1.08	1.38	1.08	1.47	1.07	1.53	1.05
44	1.09	0.94	1.20	1.00	1.29	1.06	1.33	1.06	1.36	1.06	1.45	1.05	1.51	1.03
45	1.07	0.92	1.19	0.99	1.27	1.05	1.31	1.05	1.34	1.05	1.42	1.04	1.49	1.02
46	1.06	0.91	1.17	0.97	1.25	1.03	1.29	1.03	1.33	1.03	1.40	1.02	1.47	1.00

TC : Total Capacity [kW]

SHC : Sensible Heat Capacity [kW]

Product models : RAS-B07B2KVG-E ; RAS-07B2AVG-E

Specification of product at standard condition

Standard Condition	Indoor	27°C (DB) / 19°C (WB)	Total Cooling Capacity (TC)	2.00 kW
	Outdoor	35°C (DB) / 24°C (WB)		Sensible Heat Capacity (SHC)

Outdoor air temperature DB (°C)	Indoor air temperature													
	20.0°C (DB) 14.0°C (WB)		23.0°C (DB) 16.0°C (WB)		26.0°C (DB) 18.0°C (WB)		27.0°C (DB) 19.0°C (WB)		28.0°C (DB) 20.0°C (WB)		30.0°C (DB) 22.0°C (WB)		32.0°C (DB) 24.0°C (WB)	
	TC	SHC	TC	SHC	TC	SHC	TC	SHC	TC	SHC	TC	SHC	TC	SHC
20	1.96	1.65	2.16	1.75	2.32	1.87	2.39	1.86	2.45	1.86	2.60	1.84	2.72	1.80
21	1.94	1.63	2.14	1.74	2.29	1.84	2.36	1.84	2.43	1.84	2.57	1.82	2.69	1.78
22	1.92	1.61	2.12	1.72	2.27	1.82	2.33	1.82	2.40	1.82	2.54	1.80	2.66	1.76
23	1.90	1.59	2.09	1.70	2.24	1.80	2.31	1.80	2.37	1.80	2.51	1.78	2.63	1.74
24	1.87	1.58	2.07	1.68	2.22	1.78	2.28	1.78	2.35	1.78	2.49	1.76	2.60	1.72
25	1.85	1.56	2.05	1.66	2.19	1.76	2.26	1.76	2.32	1.76	2.46	1.74	2.57	1.70
26	1.83	1.54	2.02	1.64	2.17	1.74	2.23	1.74	2.29	1.74	2.43	1.72	2.54	1.68
27	1.81	1.52	2.00	1.62	2.14	1.72	2.21	1.72	2.27	1.72	2.40	1.70	2.51	1.66
28	1.79	1.51	1.98	1.60	2.12	1.70	2.18	1.70	2.24	1.70	2.37	1.68	2.48	1.64
29	1.77	1.49	1.95	1.58	2.09	1.68	2.15	1.68	2.22	1.68	2.35	1.66	2.45	1.62
30	1.75	1.47	1.93	1.57	2.07	1.66	2.13	1.66	2.19	1.66	2.32	1.64	2.42	1.60
31	1.73	1.45	1.91	1.55	2.04	1.64	2.10	1.64	2.16	1.64	2.29	1.62	2.40	1.59
32	1.71	1.43	1.88	1.53	2.02	1.62	2.08	1.62	2.14	1.62	2.26	1.60	2.37	1.57
33	1.68	1.42	1.86	1.51	1.99	1.60	2.05	1.60	2.11	1.60	2.23	1.58	2.34	1.55
34	1.66	1.40	1.84	1.49	1.97	1.58	2.03	1.58	2.08	1.58	2.21	1.56	2.31	1.53
35	1.64	1.38	1.81	1.47	1.94	1.56	2.00	1.56	2.06	1.56	2.18	1.54	2.28	1.51
36	1.62	1.36	1.79	1.45	1.92	1.54	1.97	1.54	2.03	1.54	2.15	1.52	2.25	1.49
37	1.60	1.35	1.77	1.43	1.89	1.52	1.95	1.52	2.00	1.52	2.12	1.50	2.22	1.47
38	1.58	1.33	1.74	1.41	1.87	1.50	1.92	1.50	1.98	1.50	2.09	1.48	2.19	1.45
39	1.56	1.31	1.72	1.40	1.84	1.48	1.90	1.48	1.95	1.48	2.07	1.46	2.16	1.43
40	1.54	1.29	1.70	1.38	1.82	1.46	1.87	1.46	1.93	1.46	2.04	1.44	2.13	1.41
41	1.52	1.27	1.67	1.36	1.79	1.44	1.85	1.44	1.90	1.44	2.01	1.42	2.10	1.39
42	1.50	1.26	1.65	1.34	1.77	1.42	1.82	1.42	1.87	1.42	1.98	1.40	2.07	1.37
43	1.47	1.24	1.63	1.32	1.74	1.40	1.79	1.40	1.85	1.40	1.95	1.38	2.04	1.35
44	1.45	1.22	1.60	1.30	1.72	1.38	1.77	1.38	1.82	1.38	1.93	1.36	2.02	1.33
45	1.43	1.20	1.58	1.28	1.69	1.36	1.74	1.36	1.79	1.36	1.90	1.34	1.99	1.31
46	1.41	1.19	1.56	1.26	1.67	1.34	1.72	1.34	1.77	1.34	1.87	1.32	1.96	1.30

TC : Total Capacity [kW]

SHC : Sensible Heat Capacity [kW]

Product models : RAS-B10B2KVG-E ; RAS-10B2AVG-E

Specification of product at standard condition

Standard Condition	Indoor	27°C (DB) / 19°C (WB)	Total Cooling Capacity (TC)	2.50 kW
	Outdoor	35°C (DB) / 24°C (WB)	Sensible Heat Capacity (SHC)	1.90 kW

Outdoor air temperature DB (°C)	Indoor air temperature													
	20.0°C (DB) 14.0°C (WB)		23.0°C (DB) 16.0°C (WB)		26.0°C (DB) 18.0°C (WB)		27.0°C (DB) 19.0°C (WB)		28.0°C (DB) 20.0°C (WB)		30.0°C (DB) 22.0°C (WB)		32.0°C (DB) 24.0°C (WB)	
	TC	SHC	TC	SHC	TC	SHC	TC	SHC	TC	SHC	TC	SHC	TC	SHC
20	2.45	2.01	2.70	2.14	2.90	2.27	2.98	2.27	3.07	2.26	3.25	2.23	3.40	2.18
21	2.42	1.99	2.68	2.12	2.86	2.25	2.95	2.24	3.03	2.24	3.21	2.21	3.36	2.16
22	2.40	1.97	2.65	2.09	2.83	2.22	2.92	2.22	3.00	2.21	3.18	2.18	3.32	2.13
23	2.37	1.95	2.62	2.07	2.80	2.20	2.89	2.19	2.97	2.19	3.14	2.16	3.29	2.11
24	2.34	1.92	2.59	2.05	2.77	2.18	2.85	2.17	2.93	2.16	3.11	2.14	3.25	2.09
25	2.32	1.90	2.56	2.02	2.74	2.15	2.82	2.14	2.90	2.14	3.07	2.11	3.21	2.06
26	2.29	1.88	2.53	2.00	2.71	2.13	2.79	2.12	2.87	2.11	3.04	2.09	3.18	2.04
27	2.26	1.86	2.50	1.98	2.68	2.10	2.76	2.10	2.84	2.09	3.00	2.06	3.14	2.02
28	2.24	1.84	2.47	1.95	2.65	2.08	2.72	2.07	2.80	2.07	2.97	2.04	3.10	1.99
29	2.21	1.82	2.44	1.93	2.62	2.05	2.69	2.05	2.77	2.04	2.93	2.02	3.07	1.97
30	2.19	1.79	2.41	1.91	2.58	2.03	2.66	2.02	2.74	2.02	2.90	1.99	3.03	1.95
31	2.16	1.77	2.38	1.89	2.55	2.00	2.63	2.00	2.70	1.99	2.86	1.97	2.99	1.92
32	2.13	1.75	2.36	1.86	2.52	1.98	2.60	1.97	2.67	1.97	2.83	1.94	2.96	1.90
33	2.11	1.73	2.33	1.84	2.49	1.96	2.56	1.95	2.64	1.94	2.79	1.92	2.92	1.88
34	2.08	1.71	2.30	1.82	2.46	1.93	2.53	1.92	2.60	1.92	2.76	1.90	2.88	1.85
35	2.05	1.69	2.27	1.79	2.43	1.91	2.50	1.90	2.57	1.90	2.72	1.87	2.85	1.83
36	2.03	1.66	2.24	1.77	2.40	1.88	2.47	1.88	2.54	1.87	2.69	1.85	2.81	1.80
37	2.00	1.64	2.21	1.75	2.37	1.86	2.44	1.85	2.51	1.85	2.65	1.82	2.78	1.78
38	1.97	1.62	2.18	1.72	2.34	1.83	2.40	1.83	2.47	1.82	2.62	1.80	2.74	1.76
39	1.95	1.60	2.15	1.70	2.30	1.81	2.37	1.80	2.44	1.80	2.58	1.78	2.70	1.73
40	1.92	1.58	2.12	1.68	2.27	1.78	2.34	1.78	2.41	1.77	2.55	1.75	2.67	1.71
41	1.90	1.56	2.09	1.66	2.24	1.76	2.31	1.75	2.37	1.75	2.51	1.73	2.63	1.69
42	1.87	1.53	2.06	1.63	2.21	1.74	2.28	1.73	2.34	1.73	2.48	1.70	2.59	1.66
43	1.84	1.51	2.03	1.61	2.18	1.71	2.24	1.70	2.31	1.70	2.44	1.68	2.56	1.64
44	1.82	1.49	2.01	1.59	2.15	1.69	2.21	1.68	2.27	1.68	2.41	1.66	2.52	1.62
45	1.79	1.47	1.98	1.56	2.12	1.66	2.18	1.66	2.24	1.65	2.37	1.63	2.48	1.59
46	1.76	1.45	1.95	1.54	2.09	1.64	2.15	1.63	2.21	1.63	2.34	1.61	2.45	1.57

TC : Total Capacity [kW]

SHC : Sensible Heat Capacity [kW]

Product models : RAS-B13B2KVG-E ; RAS-13B2AVG-E

Specification of product at standard condition

Standard Condition	Indoor	27°C (DB) / 19°C (WB)	Total Cooling Capacity (TC)	3.30 kW
	Outdoor	35°C (DB) / 24°C (WB)	Sensible Heat Capacity (SHC)	2.45 kW

Outdoor air temperature DB (°C)	Indoor air temperature													
	20.0°C (DB) 14.0°C (WB)		23.0°C (DB) 16.0°C (WB)		26.0°C (DB) 18.0°C (WB)		27.0°C (DB) 19.0°C (WB)		28.0°C (DB) 20.0°C (WB)		30.0°C (DB) 22.0°C (WB)		32.0°C (DB) 24.0°C (WB)	
	TC	SHC	TC	SHC	TC	SHC	TC	SHC	TC	SHC	TC	SHC	TC	SHC
20	3.23	2.60	3.57	2.76	3.82	2.93	3.94	2.92	4.05	2.91	4.29	2.87	4.48	2.80
21	3.20	2.57	3.53	2.73	3.78	2.90	3.89	2.89	4.00	2.88	4.24	2.84	4.44	2.77
22	3.16	2.54	3.49	2.70	3.74	2.87	3.85	2.86	3.96	2.85	4.19	2.81	4.39	2.74
23	3.13	2.51	3.45	2.67	3.70	2.84	3.81	2.83	3.92	2.82	4.15	2.78	4.34	2.71
24	3.09	2.48	3.42	2.64	3.66	2.81	3.77	2.80	3.87	2.79	4.10	2.75	4.29	2.68
25	3.06	2.46	3.38	2.61	3.62	2.78	3.72	2.76	3.83	2.76	4.06	2.72	4.24	2.65
26	3.02	2.43	3.34	2.58	3.58	2.74	3.68	2.73	3.79	2.73	4.01	2.69	4.19	2.62
27	2.99	2.40	3.30	2.55	3.53	2.71	3.64	2.70	3.74	2.69	3.96	2.65	4.15	2.59
28	2.95	2.37	3.26	2.52	3.49	2.68	3.60	2.67	3.70	2.66	3.92	2.62	4.10	2.56
29	2.92	2.34	3.22	2.49	3.45	2.65	3.55	2.64	3.66	2.63	3.87	2.59	4.05	2.53
30	2.88	2.32	3.19	2.46	3.41	2.62	3.51	2.61	3.61	2.60	3.83	2.56	4.00	2.50
31	2.85	2.29	3.15	2.43	3.37	2.59	3.47	2.58	3.57	2.57	3.78	2.53	3.95	2.47
32	2.81	2.26	3.11	2.40	3.33	2.55	3.43	2.54	3.53	2.54	3.73	2.50	3.90	2.44
33	2.78	2.23	3.07	2.37	3.29	2.52	3.38	2.51	3.48	2.51	3.69	2.47	3.86	2.41
34	2.75	2.21	3.03	2.34	3.25	2.49	3.34	2.48	3.44	2.47	3.64	2.44	3.81	2.38
35	2.71	2.18	2.99	2.32	3.21	2.46	3.30	2.45	3.39	2.44	3.59	2.41	3.76	2.35
36	2.68	2.15	2.96	2.29	3.16	2.43	3.26	2.42	3.35	2.41	3.55	2.38	3.71	2.32
37	2.64	2.12	2.92	2.26	3.12	2.40	3.22	2.39	3.31	2.38	3.50	2.35	3.66	2.29
38	2.61	2.09	2.88	2.23	3.08	2.37	3.17	2.36	3.26	2.35	3.46	2.31	3.61	2.26
39	2.57	2.07	2.84	2.20	3.04	2.33	3.13	2.32	3.22	2.32	3.41	2.28	3.57	2.23
40	2.54	2.04	2.80	2.17	3.00	2.30	3.09	2.29	3.18	2.29	3.36	2.25	3.52	2.20
41	2.50	2.01	2.76	2.14	2.96	2.27	3.05	2.26	3.13	2.25	3.32	2.22	3.47	2.17
42	2.47	1.98	2.72	2.11	2.92	2.24	3.00	2.23	3.09	2.22	3.27	2.19	3.42	2.14
43	2.43	1.95	2.69	2.08	2.88	2.21	2.96	2.20	3.05	2.19	3.23	2.16	3.37	2.11
44	2.40	1.93	2.65	2.05	2.84	2.18	2.92	2.17	3.00	2.16	3.18	2.13	3.33	2.08
45	2.36	1.90	2.61	2.02	2.79	2.14	2.88	2.14	2.96	2.13	3.13	2.10	3.28	2.05
46	2.33	1.87	2.57	1.99	2.75	2.11	2.83	2.10	2.92	2.10	3.09	2.07	3.23	2.02

TC : Total Capacity [kW]

SHC : Sensible Heat Capacity [kW]

Product models : RAS-B16B2KVG-E ; RAS-16B2AVG-E

Specification of product at standard condition

Standard Condition	Indoor	27°C (DB) / 19°C (WB)	Total Cooling Capacity (TC)	4.20 kW
	Outdoor	35°C (DB) / 24°C (WB)	Sensible Heat Capacity (SHC)	3.04 kW

Outdoor air temperature DB (°C)	Indoor air temperature													
	20.0°C (DB) 14.0°C (WB)		23.0°C (DB) 16.0°C (WB)		26.0°C (DB) 18.0°C (WB)		27.0°C (DB) 19.0°C (WB)		28.0°C (DB) 20.0°C (WB)		30.0°C (DB) 22.0°C (WB)		32.0°C (DB) 24.0°C (WB)	
	TC	SHC	TC	SHC	TC	SHC	TC	SHC	TC	SHC	TC	SHC	TC	SHC
20	4.11	3.23	4.54	3.43	4.87	3.64	5.01	3.63	5.15	3.61	5.46	3.55	5.71	3.46
21	4.07	3.19	4.49	3.39	4.81	3.60	4.95	3.59	5.10	3.57	5.40	3.51	5.64	3.42
22	4.03	3.16	4.45	3.36	4.76	3.56	4.90	3.55	5.04	3.53	5.34	3.48	5.58	3.38
23	3.98	3.12	4.40	3.32	4.71	3.53	4.85	3.51	4.99	3.50	5.28	3.44	5.52	3.34
24	3.94	3.09	4.35	3.28	4.66	3.49	4.79	3.47	4.93	3.46	5.22	3.40	5.46	3.31
25	3.89	3.05	4.30	3.24	4.60	3.45	4.74	3.43	4.87	3.42	5.16	3.36	5.40	3.27
26	3.85	3.02	4.25	3.21	4.55	3.41	4.69	3.39	4.82	3.38	5.10	3.32	5.34	3.23
27	3.80	2.98	4.20	3.17	4.50	3.37	4.63	3.35	4.76	3.34	5.04	3.28	5.28	3.20
28	3.76	2.95	4.15	3.13	4.45	3.33	4.58	3.31	4.71	3.30	4.99	3.25	5.21	3.16
29	3.72	2.92	4.10	3.10	4.39	3.29	4.52	3.27	4.65	3.26	4.93	3.21	5.15	3.12
30	3.67	2.88	4.05	3.06	4.34	3.25	4.47	3.24	4.60	3.22	4.87	3.17	5.09	3.08
31	3.63	2.85	4.01	3.02	4.29	3.21	4.42	3.20	4.54	3.18	4.81	3.13	5.03	3.05
32	3.58	2.81	3.96	2.99	4.24	3.17	4.36	3.16	4.49	3.15	4.75	3.09	4.97	3.01
33	3.54	2.78	3.91	2.95	4.18	3.13	4.31	3.12	4.43	3.11	4.69	3.05	4.91	2.97
34	3.49	2.74	3.86	2.91	4.13	3.09	4.25	3.08	4.38	3.07	4.63	3.02	4.85	2.94
35	3.45	2.71	3.81	2.88	4.08	3.06	4.20	3.04	4.32	3.03	4.58	2.98	4.79	2.90
36	3.41	2.67	3.76	2.84	4.03	3.02	4.15	3.00	4.26	2.99	4.52	2.94	4.72	2.86
37	3.36	2.64	3.71	2.80	3.98	2.98	4.09	2.96	4.21	2.95	4.46	2.90	4.66	2.82
38	3.32	2.60	3.66	2.76	3.92	2.94	4.04	2.92	4.15	2.91	4.40	2.86	4.60	2.79
39	3.27	2.57	3.61	2.73	3.87	2.90	3.98	2.88	4.10	2.87	4.34	2.83	4.54	2.75
40	3.23	2.53	3.57	2.69	3.82	2.86	3.93	2.84	4.04	2.83	4.28	2.79	4.48	2.71
41	3.18	2.50	3.52	2.65	3.77	2.82	3.88	2.81	3.99	2.80	4.22	2.75	4.42	2.68
42	3.14	2.46	3.47	2.62	3.71	2.78	3.82	2.77	3.93	2.76	4.16	2.71	4.36	2.64
43	3.10	2.43	3.42	2.58	3.66	2.74	3.77	2.73	3.88	2.72	4.11	2.67	4.29	2.60
44	3.05	2.39	3.37	2.54	3.61	2.70	3.71	2.69	3.82	2.68	4.05	2.63	4.23	2.56
45	3.01	2.36	3.32	2.51	3.56	2.66	3.66	2.65	3.77	2.64	3.99	2.60	4.17	2.53
46	2.96	2.32	3.27	2.47	3.50	2.62	3.61	2.61	3.71	2.60	3.93	2.56	4.11	2.49

TC : Total Capacity [kW]

SHC : Sensible Heat Capacity [kW]

Product models : RAS-B18B2KVG-E ; RAS-18B2AVG-E

Specification of product at standard condition

Standard Condition	Indoor	27°C (DB) / 19°C (WB)	Total Cooling Capacity (TC)	5.00 kW
	Outdoor	35°C (DB) / 24°C (WB)	Sensible Heat Capacity (SHC)	3.50 kW

Outdoor air temperature DB (°C)	Indoor air temperature													
	20.0°C (DB) 14.0°C (WB)		23.0°C (DB) 16.0°C (WB)		26.0°C (DB) 18.0°C (WB)		27.0°C (DB) 19.0°C (WB)		28.0°C (DB) 20.0°C (WB)		30.0°C (DB) 22.0°C (WB)		32.0°C (DB) 24.0°C (WB)	
	TC	SHC	TC	SHC	TC	SHC	TC	SHC	TC	SHC	TC	SHC	TC	SHC
20	4.90	3.73	5.41	3.95	5.79	4.20	5.96	4.17	6.13	4.15	6.49	4.07	6.79	3.95
21	4.84	3.69	5.35	3.91	5.73	4.15	5.90	4.13	6.07	4.11	6.43	4.03	6.72	3.91
22	4.79	3.65	5.29	3.87	5.67	4.11	5.83	4.08	6.00	4.06	6.36	3.99	6.65	3.87
23	4.74	3.61	5.23	3.83	5.60	4.06	5.77	4.04	5.94	4.02	6.29	3.94	6.57	3.83
24	4.69	3.57	5.18	3.78	5.54	4.02	5.71	3.99	5.87	3.98	6.22	3.90	6.50	3.78
25	4.63	3.53	5.12	3.74	5.48	3.97	5.64	3.95	5.80	3.93	6.15	3.85	6.43	3.74
26	4.58	3.49	5.06	3.70	5.42	3.93	5.58	3.90	5.74	3.89	6.08	3.81	6.35	3.70
27	4.53	3.45	5.00	3.66	5.36	3.88	5.51	3.86	5.67	3.84	6.01	3.77	6.28	3.66
28	4.48	3.41	4.94	3.61	5.29	3.84	5.45	3.81	5.61	3.80	5.94	3.72	6.21	3.61
29	4.42	3.37	4.88	3.57	5.23	3.79	5.39	3.77	5.54	3.75	5.87	3.68	6.14	3.57
30	4.37	3.33	4.83	3.53	5.17	3.75	5.32	3.72	5.47	3.71	5.80	3.64	6.06	3.53
31	4.32	3.29	4.77	3.49	5.11	3.70	5.26	3.68	5.41	3.66	5.73	3.59	5.99	3.48
32	4.27	3.24	4.71	3.44	5.04	3.66	5.19	3.63	5.34	3.62	5.66	3.55	5.92	3.44
33	4.21	3.20	4.65	3.40	4.98	3.61	5.13	3.59	5.28	3.57	5.59	3.50	5.84	3.40
34	4.16	3.16	4.59	3.36	4.92	3.57	5.06	3.54	5.21	3.53	5.52	3.46	5.77	3.36
35	4.11	3.12	4.54	3.32	4.86	3.52	5.00	3.50	5.14	3.48	5.45	3.42	5.70	3.31
36	4.05	3.08	4.48	3.27	4.79	3.48	4.94	3.46	5.08	3.44	5.38	3.37	5.62	3.27
37	4.00	3.04	4.42	3.23	4.73	3.43	4.87	3.41	5.01	3.39	5.31	3.33	5.55	3.23
38	3.95	3.00	4.36	3.19	4.67	3.39	4.81	3.37	4.94	3.35	5.24	3.28	5.48	3.19
39	3.90	2.96	4.30	3.15	4.61	3.34	4.74	3.32	4.88	3.30	5.17	3.24	5.40	3.14
40	3.84	2.92	4.24	3.10	4.55	3.30	4.68	3.28	4.81	3.26	5.10	3.20	5.33	3.10
41	3.79	2.88	4.19	3.06	4.48	3.25	4.62	3.23	4.75	3.22	5.03	3.15	5.26	3.06
42	3.74	2.84	4.13	3.02	4.42	3.20	4.55	3.19	4.68	3.17	4.96	3.11	5.18	3.02
43	3.69	2.80	4.07	2.98	4.36	3.16	4.49	3.14	4.61	3.13	4.89	3.07	5.11	2.97
44	3.63	2.76	4.01	2.93	4.30	3.11	4.42	3.10	4.55	3.08	4.82	3.02	5.04	2.93
45	3.06	2.33	3.38	2.47	3.62	2.62	3.72	2.61	3.83	2.60	4.06	2.54	4.24	2.47
46	2.98	2.27	3.29	2.40	3.52	2.55	3.62	2.54	3.73	2.53	3.95	2.48	4.13	2.40

TC : Total Capacity [kW]

SHC : Sensible Heat Capacity [kW]

Product models : RAS-B24B2KVG-E ; RAS-24B2AVG-E

Specification of product at standard condition

Standard Condition	Indoor	27°C (DB) / 19°C (WB)	Total Cooling Capacity (TC)	6.50 kW
	Outdoor	35°C (DB) / 24°C (WB)	Sensible Heat Capacity (SHC)	4.40 kW

Outdoor air temperature DB (°C)	Indoor air temperature													
	20.0°C (DB) 14.0°C (WB)		23.0°C (DB) 16.0°C (WB)		26.0°C (DB) 18.0°C (WB)		27.0°C (DB) 19.0°C (WB)		28.0°C (DB) 20.0°C (WB)		30.0°C (DB) 22.0°C (WB)		32.0°C (DB) 24.0°C (WB)	
	TC	SHC	TC	SHC	TC	SHC	TC	SHC	TC	SHC	TC	SHC	TC	SHC
20	6.37	4.70	7.03	4.98	7.53	5.29	7.75	5.25	7.97	5.22	8.44	5.10	8.83	4.93
21	6.30	4.65	6.96	4.92	7.45	5.23	7.67	5.19	7.89	5.16	8.35	5.05	8.74	4.88
22	6.23	4.60	6.88	4.87	7.37	5.17	7.58	5.13	7.80	5.10	8.26	4.99	8.64	4.83
23	6.16	4.55	6.80	4.82	7.29	5.11	7.50	5.08	7.72	5.05	8.17	4.94	8.55	4.78
24	6.09	4.49	6.73	4.76	7.21	5.06	7.42	5.02	7.63	4.99	8.08	4.88	8.45	4.72
25	6.02	4.44	6.65	4.71	7.12	5.00	7.33	4.96	7.54	4.94	7.99	4.83	8.36	4.67
26	5.96	4.39	6.58	4.66	7.04	4.94	7.25	4.91	7.46	4.88	7.90	4.77	8.26	4.62
27	5.89	4.34	6.50	4.60	6.96	4.89	7.17	4.85	7.37	4.82	7.81	4.72	8.17	4.56
28	5.82	4.29	6.43	4.55	6.88	4.83	7.08	4.80	7.29	4.77	7.72	4.66	8.07	4.51
29	5.75	4.24	6.35	4.50	6.80	4.77	7.00	4.74	7.20	4.71	7.63	4.61	7.98	4.46
30	5.68	4.19	6.27	4.44	6.72	4.72	6.92	4.68	7.11	4.65	7.53	4.55	7.88	4.40
31	5.61	4.14	6.20	4.39	6.64	4.66	6.83	4.63	7.03	4.60	7.44	4.50	7.79	4.35
32	5.54	4.09	6.12	4.33	6.56	4.60	6.75	4.57	6.94	4.54	7.35	4.44	7.69	4.30
33	5.48	4.04	6.05	4.28	6.48	4.55	6.67	4.51	6.86	4.49	7.26	4.39	7.60	4.24
34	5.41	3.99	5.97	4.23	6.40	4.49	6.58	4.46	6.77	4.43	7.17	4.33	7.50	4.19
35	5.34	3.94	5.90	4.17	6.31	4.43	6.50	4.40	6.69	4.37	7.08	4.28	7.41	4.14
36	5.27	3.89	5.82	4.12	6.23	4.38	6.42	4.34	6.60	4.32	6.99	4.22	7.31	4.09
37	5.20	3.84	5.74	4.07	6.15	4.32	6.33	4.29	6.51	4.26	6.90	4.17	7.22	4.03
38	5.13	3.79	5.67	4.01	6.07	4.26	6.25	4.23	6.43	4.21	6.81	4.11	7.12	3.98
39	5.07	3.74	5.59	3.96	5.99	4.20	6.17	4.17	6.34	4.15	6.72	4.06	7.03	3.93
40	5.00	3.69	5.52	3.91	5.91	4.15	6.08	4.12	6.26	4.09	6.63	4.00	6.93	3.87
41	4.93	3.64	5.44	3.85	5.83	4.09	6.00	4.06	6.17	4.04	6.54	3.95	6.84	3.82
42	4.86	3.58	5.37	3.80	5.75	4.03	5.92	4.00	6.09	3.98	6.44	3.89	6.74	3.77
43	4.79	3.53	5.29	3.75	5.67	3.98	5.83	3.95	6.00	3.92	6.35	3.84	6.65	3.71
44	4.72	3.48	5.22	3.69	5.58	3.92	5.75	3.89	5.91	3.87	6.26	3.78	6.55	3.66
45	3.75	2.77	4.14	2.93	4.44	3.11	4.57	3.09	4.70	3.07	4.97	3.01	5.20	2.91
46	3.65	2.69	4.03	2.85	4.32	3.03	4.44	3.01	4.57	2.99	4.84	2.92	5.06	2.83

TC : Total Capacity [kW]

SHC : Sensible Heat Capacity [kW]

10. Performance Characteristic

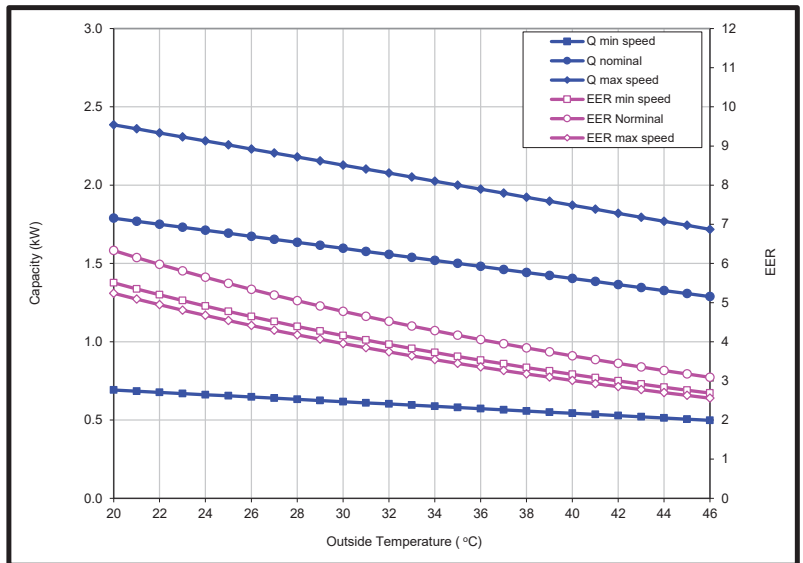
Model : RAS-B05B2KVG-E ; RAS-05B2AVG-E

Product specification :

Condition		Capacity (kW)	Power (kW)	EER/COP
Cooling JIS In: 27°C DB/19°C WB Out: 35°C DB/24°C WB	Min	0.58	0.16	3.63
	Rated	1.50	0.36	4.17
	Max	2.00	0.58	3.45
Heating JIS In: 20°C DB/15°C WB Out: 7°C DB/6°C WB	Min	0.58	0.14	4.14
	Rated	2.00	0.47	4.26
	Max	3.00	0.85	3.53
Heating Low Temp. In: 20°C DB/15°C WB Out: 2°C DB/1°C WB	Max	1.70	0.80	2.13
	Max	1.50	0.70	2.14

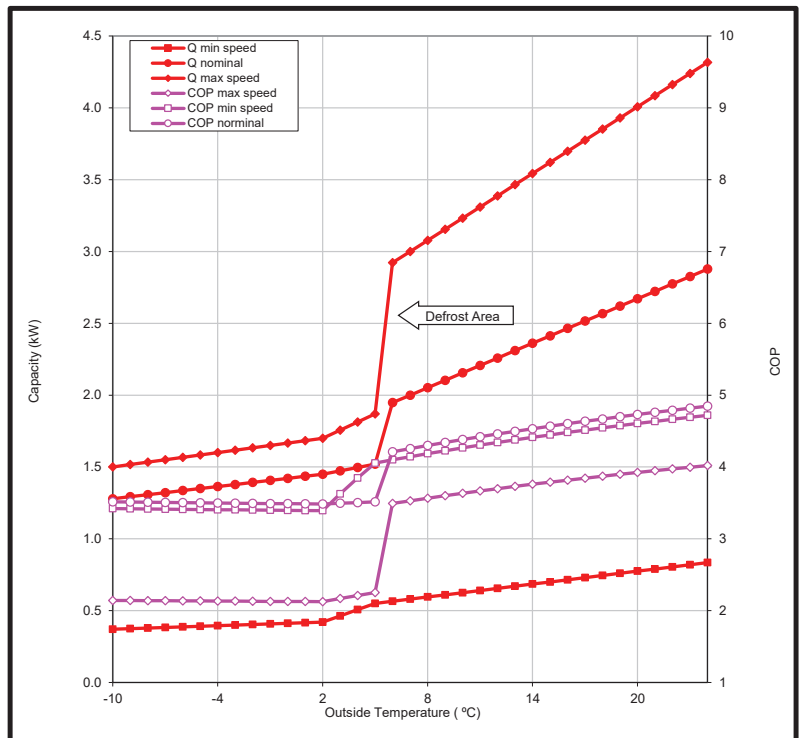
Cooling performance characteristic :

Outside Temp (°C)	Min capacity			Nominal capacity			Max capacity		
	Capacity (kW)	Power (kW)	EER (-)	Capacity (kW)	Power (kW)	EER (-)	Capacity (kW)	Power (kW)	EER (-)
20	0.69	0.13	5.51	1.79	0.28	6.33	2.39	0.46	5.24
21	0.68	0.13	5.35	1.77	0.29	6.15	2.36	0.46	5.09
22	0.68	0.13	5.20	1.75	0.29	5.98	2.33	0.47	4.94
23	0.67	0.13	5.05	1.73	0.30	5.81	2.31	0.48	4.81
24	0.66	0.13	4.91	1.71	0.30	5.64	2.28	0.49	4.67
25	0.65	0.14	4.77	1.69	0.31	5.49	2.26	0.50	4.54
26	0.65	0.14	4.64	1.67	0.31	5.34	2.23	0.51	4.42
27	0.64	0.14	4.51	1.65	0.32	5.19	2.21	0.51	4.29
28	0.63	0.14	4.39	1.63	0.32	5.05	2.18	0.52	4.18
29	0.62	0.15	4.27	1.62	0.33	4.91	2.15	0.53	4.06
30	0.62	0.15	4.16	1.60	0.33	4.78	2.13	0.54	3.95
31	0.61	0.15	4.04	1.58	0.34	4.65	2.10	0.55	3.85
32	0.60	0.15	3.93	1.56	0.34	4.52	2.08	0.56	3.74
33	0.59	0.16	3.83	1.54	0.35	4.40	2.05	0.56	3.64
34	0.59	0.16	3.72	1.52	0.35	4.28	2.03	0.57	3.54
35	0.58	0.16	3.63	1.50	0.36	4.17	2.00	0.58	3.45
36	0.57	0.16	3.53	1.48	0.37	4.06	1.97	0.59	3.36
37	0.57	0.16	3.43	1.46	0.37	3.95	1.95	0.60	3.27
38	0.56	0.17	3.34	1.44	0.38	3.84	1.92	0.60	3.18
39	0.55	0.17	3.25	1.42	0.38	3.74	1.90	0.61	3.09
40	0.54	0.17	3.17	1.40	0.39	3.64	1.87	0.62	3.01
41	0.54	0.17	3.08	1.38	0.39	3.54	1.85	0.63	2.93
42	0.53	0.18	3.00	1.37	0.40	3.45	1.82	0.64	2.85
43	0.52	0.18	2.92	1.35	0.40	3.35	1.79	0.65	2.78
44	0.51	0.18	2.84	1.33	0.41	3.26	1.77	0.65	2.70
45	0.51	0.18	2.76	1.31	0.41	3.18	1.74	0.66	2.63
46	0.50	0.19	2.69	1.29	0.42	3.09	1.72	0.67	2.56



Heating performance characteristic :

Outside Temp (°C)	Min capacity			Nominal capacity			Max capacity		
	Capacity (kW)	Power (kW)	COP (-)	Capacity (kW)	Power (kW)	COP (-)	Capacity (kW)	Power (kW)	COP (-)
-10	0.37	0.11	3.42	1.28	0.36	3.51	1.50	0.70	2.14
-9	0.37	0.11	3.42	1.29	0.37	3.51	1.52	0.71	2.14
-8	0.38	0.11	3.42	1.31	0.37	3.51	1.53	0.72	2.14
-7	0.38	0.11	3.41	1.32	0.38	3.51	1.55	0.73	2.14
-6	0.39	0.11	3.41	1.34	0.38	3.50	1.57	0.73	2.14
-5	0.39	0.11	3.41	1.35	0.39	3.50	1.58	0.74	2.13
-4	0.40	0.12	3.41	1.36	0.39	3.50	1.60	0.75	2.13
-3	0.40	0.12	3.40	1.38	0.39	3.50	1.62	0.76	2.13
-2	0.40	0.12	3.40	1.39	0.40	3.49	1.63	0.77	2.13
-1	0.41	0.12	3.40	1.41	0.40	3.49	1.65	0.78	2.13
0	0.41	0.12	3.40	1.42	0.41	3.49	1.67	0.78	2.13
1	0.42	0.12	3.39	1.44	0.41	3.49	1.68	0.79	2.13
2	0.42	0.12	3.39	1.45	0.42	3.48	1.70	0.80	2.13
3	0.46	0.13	3.63	1.47	0.42	3.49	1.76	0.81	2.17
4	0.51	0.13	3.85	1.50	0.43	3.50	1.81	0.82	2.21
5	0.55	0.14	4.05	1.52	0.43	3.51	1.87	0.83	2.25
6	0.57	0.14	4.10	1.95	0.46	4.21	2.92	0.84	3.49
7	0.58	0.14	4.14	2.00	0.47	4.26	3.00	0.85	3.53
8	0.59	0.14	4.18	2.05	0.48	4.30	3.08	0.86	3.57
9	0.61	0.14	4.23	2.10	0.48	4.34	3.15	0.88	3.60
10	0.62	0.15	4.27	2.15	0.49	4.38	3.23	0.89	3.63
11	0.64	0.15	4.30	2.21	0.50	4.42	3.31	0.90	3.67
12	0.65	0.15	4.34	2.26	0.51	4.46	3.39	0.92	3.70
13	0.67	0.15	4.38	2.31	0.51	4.50	3.46	0.93	3.73
14	0.68	0.16	4.41	2.36	0.52	4.53	3.54	0.94	3.76
15	0.70	0.16	4.45	2.41	0.53	4.57	3.62	0.96	3.79
16	0.71	0.16	4.48	2.46	0.54	4.60	3.70	0.97	3.82
17	0.73	0.16	4.51	2.52	0.54	4.64	3.77	0.98	3.84
18	0.74	0.16	4.54	2.57	0.55	4.67	3.85	0.99	3.87
19	0.76	0.17	4.58	2.62	0.56	4.70	3.93	1.01	3.90
20	0.77	0.17	4.61	2.67	0.56	4.73	4.01	1.02	3.92
21	0.79	0.17	4.63	2.72	0.57	4.76	4.08	1.03	3.95
22	0.80	0.17	4.66	2.77	0.58	4.79	4.16	1.05	3.97
23	0.82	0.17	4.69	2.83	0.59	4.82	4.24	1.06	4.00
24	0.83	0.18	4.72	2.88	0.59	4.85	4.32	1.07	4.02



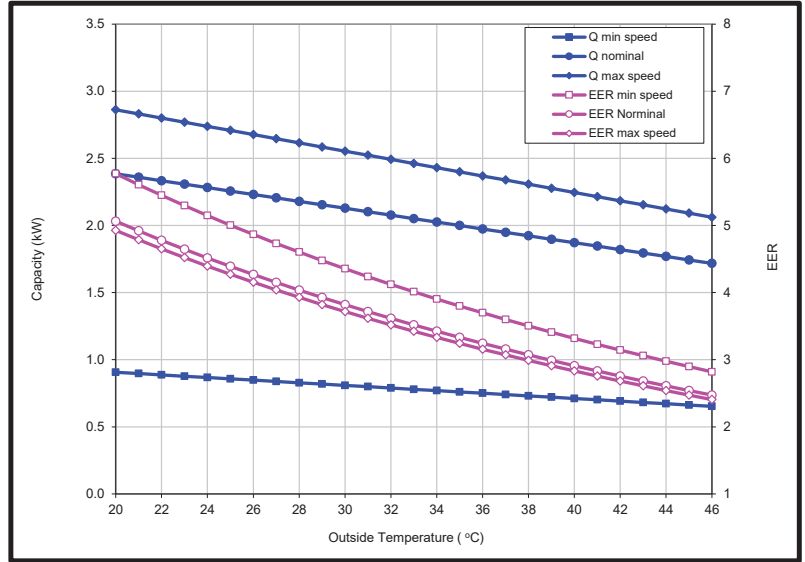
Model : RAS-B07B2KVG-E ; RAS-07B2AVG-E

Product specification :

Condition		Capacity (kW)	Power (kW)	EER/COP
Cooling JIS In: 27°C DB/19°C WB Out: 35°C DB/24°C WB	Min	0.76	0.20	3.80
	Rated	2.00	0.60	3.33
	Max	2.40	0.74	3.24
Heating JIS In: 20°C DB/15°C WB Out: 7°C DB/6°C WB	Min	0.76	0.16	4.75
	Rated	2.50	0.64	3.91
	Max	3.30	0.94	3.51
Heating Low Temp. In: 20°C DB/15°C WB Out: 2°C DB/1°C WB	Max	1.90	0.85	2.24
	Max	1.60	0.75	2.13

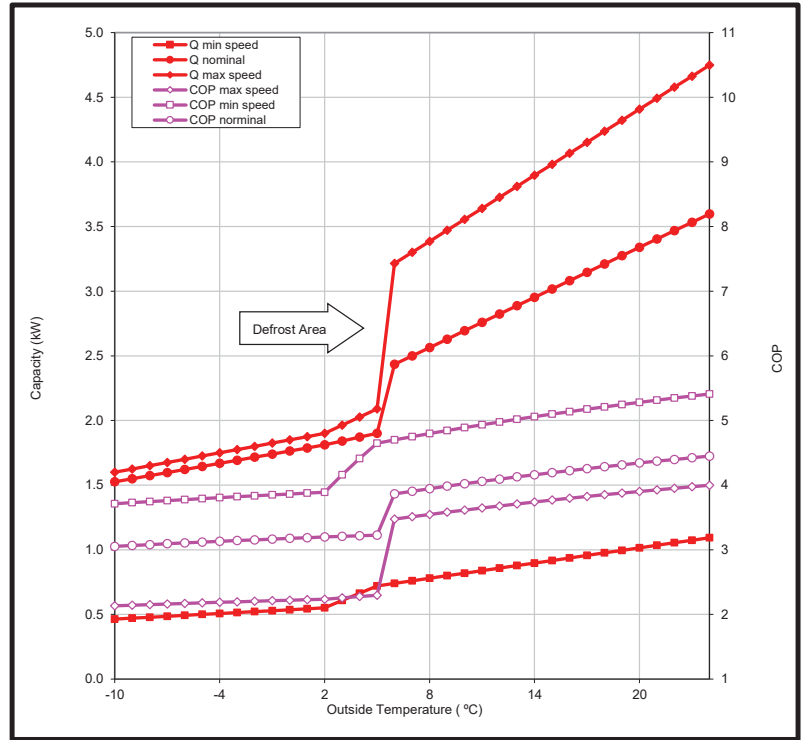
Cooling performance characteristic :

Outside Temp (°C)	Min capacity			Nominal capacity			Max capacity		
	Capacity (kW)	Power (kW)	EER (-)	Capacity (kW)	Power (kW)	EER (-)	Capacity (kW)	Power (kW)	EER (-)
20	0.91	0.16	5.77	2.39	0.47	5.06	2.86	0.58	4.93
21	0.90	0.16	5.61	2.36	0.48	4.92	2.83	0.59	4.79
22	0.89	0.16	5.45	2.33	0.49	4.78	2.80	0.60	4.65
23	0.88	0.17	5.30	2.31	0.50	4.65	2.77	0.61	4.52
24	0.87	0.17	5.15	2.28	0.51	4.52	2.74	0.62	4.39
25	0.86	0.17	5.01	2.26	0.51	4.39	2.71	0.63	4.27
26	0.85	0.17	4.87	2.23	0.52	4.27	2.68	0.64	4.15
27	0.84	0.18	4.73	2.21	0.53	4.15	2.65	0.66	4.04
28	0.83	0.18	4.60	2.18	0.54	4.04	2.62	0.67	3.93
29	0.82	0.18	4.48	2.15	0.55	3.93	2.58	0.68	3.82
30	0.81	0.19	4.36	2.13	0.56	3.82	2.55	0.69	3.72
31	0.80	0.19	4.24	2.10	0.57	3.72	2.52	0.70	3.62
32	0.79	0.19	4.12	2.08	0.57	3.62	2.49	0.71	3.52
33	0.78	0.19	4.01	2.05	0.58	3.52	2.46	0.72	3.42
34	0.77	0.20	3.90	2.03	0.59	3.43	2.43	0.73	3.33
35	0.76	0.20	3.80	2.00	0.60	3.33	2.40	0.74	3.24
36	0.75	0.20	3.70	1.97	0.61	3.24	2.37	0.75	3.16
37	0.74	0.21	3.60	1.95	0.62	3.16	2.34	0.76	3.07
38	0.73	0.21	3.50	1.92	0.63	3.07	2.31	0.77	2.99
39	0.72	0.21	3.41	1.90	0.63	2.99	2.28	0.78	2.91
40	0.71	0.21	3.32	1.87	0.64	2.91	2.25	0.79	2.83
41	0.70	0.22	3.23	1.85	0.65	2.83	2.22	0.80	2.76
42	0.69	0.22	3.14	1.82	0.66	2.76	2.18	0.81	2.68
43	0.68	0.22	3.06	1.79	0.67	2.68	2.15	0.82	2.61
44	0.67	0.23	2.98	1.77	0.68	2.61	2.12	0.84	2.54
45	0.66	0.23	2.90	1.74	0.69	2.54	2.09	0.85	2.47
46	0.65	0.23	2.82	1.72	0.69	2.47	2.06	0.86	2.41



Heating performance characteristic :

Outside Temp (°C)	Min capacity			Nominal capacity			Max capacity		
	Capacity (kW)	Power (kW)	COP (-)	Capacity (kW)	Power (kW)	COP (-)	Capacity (kW)	Power (kW)	COP (-)
-10	0.46	0.12	3.71	1.53	0.50	3.05	1.60	0.75	2.13
-9	0.47	0.13	3.73	1.55	0.51	3.07	1.63	0.76	2.14
-8	0.48	0.13	3.74	1.57	0.51	3.08	1.65	0.77	2.15
-7	0.49	0.13	3.76	1.60	0.52	3.09	1.68	0.78	2.16
-6	0.49	0.13	3.78	1.62	0.52	3.11	1.70	0.78	2.17
-5	0.50	0.13	3.79	1.64	0.53	3.12	1.73	0.79	2.18
-4	0.51	0.13	3.81	1.67	0.53	3.13	1.75	0.80	2.19
-3	0.51	0.13	3.82	1.69	0.54	3.14	1.78	0.81	2.20
-2	0.52	0.14	3.84	1.72	0.54	3.15	1.80	0.82	2.20
-1	0.53	0.14	3.85	1.74	0.55	3.17	1.83	0.83	2.21
0	0.54	0.14	3.86	1.76	0.56	3.18	1.85	0.83	2.22
1	0.54	0.14	3.88	1.79	0.56	3.19	1.88	0.84	2.23
2	0.55	0.14	3.89	1.81	0.57	3.20	1.90	0.85	2.24
3	0.61	0.15	4.16	1.84	0.57	3.21	1.96	0.87	2.26
4	0.66	0.15	4.41	1.87	0.58	3.22	2.03	0.89	2.28
5	0.72	0.16	4.65	1.90	0.59	3.23	2.09	0.91	2.30
6	0.74	0.16	4.70	2.44	0.63	3.87	3.21	0.93	3.47
7	0.76	0.16	4.75	2.50	0.64	3.91	3.30	0.94	3.51
8	0.78	0.16	4.80	2.56	0.65	3.95	3.39	0.95	3.55
9	0.80	0.16	4.85	2.63	0.66	3.98	3.47	0.97	3.58
10	0.82	0.17	4.89	2.69	0.67	4.02	3.56	0.98	3.61
11	0.84	0.17	4.93	2.76	0.68	4.06	3.64	1.00	3.65
12	0.86	0.17	4.98	2.82	0.69	4.09	3.73	1.01	3.68
13	0.88	0.17	5.02	2.89	0.70	4.13	3.81	1.03	3.71
14	0.90	0.18	5.06	2.95	0.71	4.16	3.90	1.04	3.74
15	0.92	0.18	5.10	3.02	0.72	4.19	3.98	1.06	3.77
16	0.94	0.18	5.14	3.08	0.73	4.22	4.07	1.07	3.80
17	0.96	0.18	5.17	3.15	0.74	4.26	4.15	1.09	3.82
18	0.98	0.19	5.21	3.21	0.75	4.29	4.24	1.10	3.85
19	1.00	0.19	5.25	3.27	0.76	4.31	4.32	1.11	3.88
20	1.01	0.19	5.28	3.34	0.77	4.34	4.41	1.13	3.90
21	1.03	0.19	5.31	3.40	0.78	4.37	4.49	1.14	3.93
22	1.05	0.20	5.35	3.47	0.79	4.40	4.58	1.16	3.95
23	1.07	0.20	5.38	3.53	0.80	4.42	4.66	1.17	3.98
24	1.09	0.20	5.41	3.60	0.81	4.45	4.75	1.19	4.00



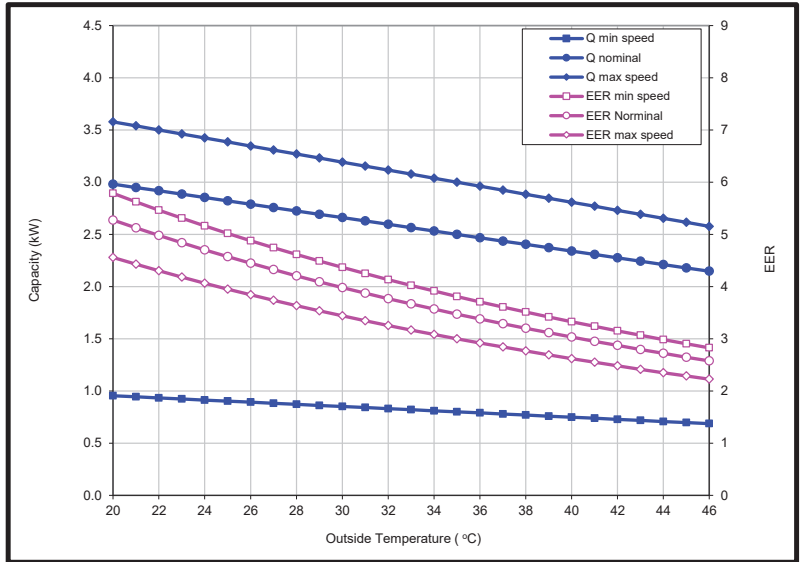
Model : RAS-B10B2KVG-E ; RAS-10B2AVG-E

Product specification :

Condition		Capacity (kW)	Power (kW)	EER/COP
Cooling JIS In: 27°C DB/19°C WB Out: 35°C DB/24°C WB	Min	0.80	0.21	3.81
	Rated	2.50	0.72	3.47
	Max	3.00	1.00	3.00
Heating JIS In: 20°C DB/15°C WB Out: 7°C DB/6°C WB	Min	0.76	0.18	4.22
	Rated	3.20	0.84	3.81
	Max	3.90	1.10	3.55
Heating Low Temp. In: 20°C DB/15°C WB Out: 2°C DB/1°C WB	Max	2.50	1.00	2.50
	Max	2.20	0.90	2.44

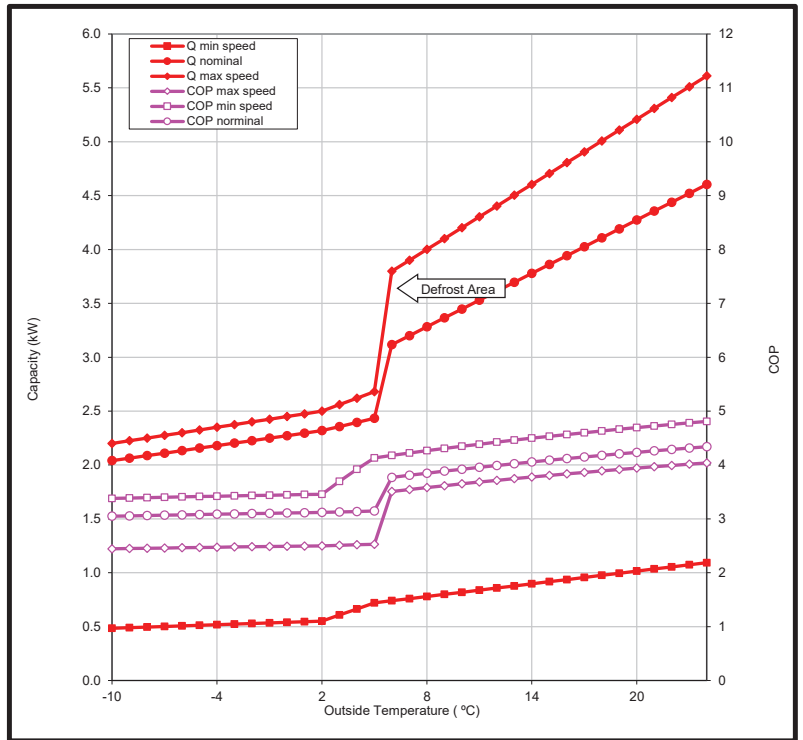
Cooling performance characteristic :

Outside Temp (°C)	Min capacity			Nominal capacity			Max capacity		
	Capacity (kW)	Power (kW)	EER (-)	Capacity (kW)	Power (kW)	EER (-)	Capacity (kW)	Power (kW)	EER (-)
20	0.95	0.16	5.79	2.98	0.57	5.27	3.58	0.79	4.56
21	0.94	0.17	5.62	2.95	0.58	5.12	3.54	0.80	4.43
22	0.93	0.17	5.46	2.92	0.59	4.98	3.50	0.81	4.30
23	0.92	0.17	5.31	2.89	0.60	4.84	3.46	0.83	4.18
24	0.91	0.18	5.16	2.85	0.61	4.70	3.42	0.84	4.06
25	0.90	0.18	5.02	2.82	0.62	4.57	3.39	0.86	3.95
26	0.89	0.18	4.88	2.79	0.63	4.45	3.35	0.87	3.84
27	0.88	0.19	4.74	2.76	0.64	4.32	3.31	0.89	3.74
28	0.87	0.19	4.61	2.72	0.65	4.21	3.27	0.90	3.63
29	0.86	0.19	4.49	2.69	0.66	4.09	3.23	0.91	3.54
30	0.85	0.19	4.37	2.66	0.67	3.98	3.19	0.93	3.44
31	0.84	0.20	4.25	2.63	0.68	3.87	3.15	0.94	3.35
32	0.83	0.20	4.13	2.60	0.69	3.77	3.12	0.96	3.26
33	0.82	0.20	4.02	2.56	0.70	3.67	3.08	0.97	3.17
34	0.81	0.21	3.91	2.53	0.71	3.57	3.04	0.99	3.08
35	0.80	0.21	3.81	2.50	0.72	3.47	3.00	1.00	3.00
36	0.79	0.21	3.71	2.47	0.73	3.38	2.96	1.01	2.92
37	0.78	0.22	3.61	2.44	0.74	3.29	2.92	1.03	2.84
38	0.77	0.22	3.51	2.40	0.75	3.20	2.88	1.04	2.77
39	0.76	0.22	3.42	2.37	0.76	3.12	2.85	1.06	2.69
40	0.75	0.23	3.33	2.34	0.77	3.03	2.81	1.07	2.62
41	0.74	0.23	3.24	2.31	0.78	2.95	2.77	1.09	2.55
42	0.73	0.23	3.15	2.28	0.79	2.87	2.73	1.10	2.48
43	0.72	0.23	3.07	2.24	0.80	2.80	2.69	1.11	2.42
44	0.71	0.24	2.98	2.21	0.81	2.72	2.65	1.13	2.35
45	0.70	0.24	2.90	2.18	0.82	2.65	2.62	1.14	2.29
46	0.69	0.24	2.83	2.15	0.83	2.58	2.58	1.16	2.23



Heating performance characteristic :

Outside Temp (°C)	Min capacity			Nominal capacity			Max capacity		
	Capacity (kW)	Power (kW)	COP (-)	Capacity (kW)	Power (kW)	COP (-)	Capacity (kW)	Power (kW)	COP (-)
-10	0.48	0.14	3.38	2.04	0.67	3.05	2.20	0.90	2.44
-9	0.49	0.14	3.39	2.06	0.68	3.06	2.23	0.91	2.45
-8	0.50	0.15	3.39	2.09	0.68	3.06	2.25	0.92	2.45
-7	0.50	0.15	3.40	2.11	0.69	3.07	2.28	0.93	2.46
-6	0.51	0.15	3.41	2.13	0.69	3.07	2.30	0.93	2.46
-5	0.51	0.15	3.41	2.16	0.70	3.08	2.33	0.94	2.47
-4	0.52	0.15	3.42	2.18	0.71	3.09	2.35	0.95	2.47
-3	0.52	0.15	3.43	2.20	0.71	3.09	2.38	0.96	2.48
-2	0.53	0.15	3.43	2.23	0.72	3.10	2.40	0.97	2.48
-1	0.53	0.16	3.44	2.25	0.72	3.10	2.43	0.98	2.49
0	0.54	0.16	3.45	2.27	0.73	3.11	2.45	0.98	2.49
1	0.55	0.16	3.45	2.30	0.74	3.11	2.48	0.99	2.50
2	0.55	0.16	3.46	2.32	0.74	3.12	2.50	1.00	2.50
3	0.61	0.16	3.70	2.36	0.75	3.13	2.56	1.02	2.51
4	0.66	0.17	3.92	2.39	0.76	3.14	2.62	1.04	2.52
5	0.72	0.17	4.13	2.43	0.77	3.15	2.68	1.06	2.53
6	0.74	0.18	4.18	3.12	0.83	3.77	3.80	1.08	3.51
7	0.76	0.18	4.22	3.20	0.84	3.81	3.90	1.10	3.55
8	0.78	0.18	4.27	3.28	0.85	3.85	4.00	1.12	3.58
9	0.80	0.19	4.31	3.37	0.87	3.89	4.10	1.13	3.62
10	0.82	0.19	4.35	3.45	0.88	3.92	4.20	1.15	3.65
11	0.84	0.19	4.39	3.53	0.89	3.96	4.30	1.17	3.68
12	0.86	0.19	4.42	3.61	0.91	3.99	4.40	1.19	3.72
13	0.88	0.20	4.46	3.70	0.92	4.03	4.50	1.20	3.75
14	0.90	0.20	4.50	3.78	0.93	4.06	4.60	1.22	3.78
15	0.92	0.20	4.53	3.86	0.94	4.09	4.71	1.24	3.81
16	0.94	0.21	4.57	3.94	0.96	4.12	4.81	1.25	3.83
17	0.96	0.21	4.60	4.03	0.97	4.15	4.91	1.27	3.86
18	0.98	0.21	4.63	4.11	0.98	4.18	5.01	1.29	3.89
19	1.00	0.21	4.66	4.19	1.00	4.21	5.11	1.30	3.92
20	1.01	0.22	4.69	4.27	1.01	4.24	5.21	1.32	3.94
21	1.03	0.22	4.72	4.36	1.02	4.26	5.31	1.34	3.97
22	1.05	0.22	4.75	4.44	1.04	4.29	5.41	1.36	3.99
23	1.07	0.22	4.78	4.52	1.05	4.31	5.51	1.37	4.01
24	1.09	0.23	4.81	4.60	1.06	4.34	5.61	1.39	4.04



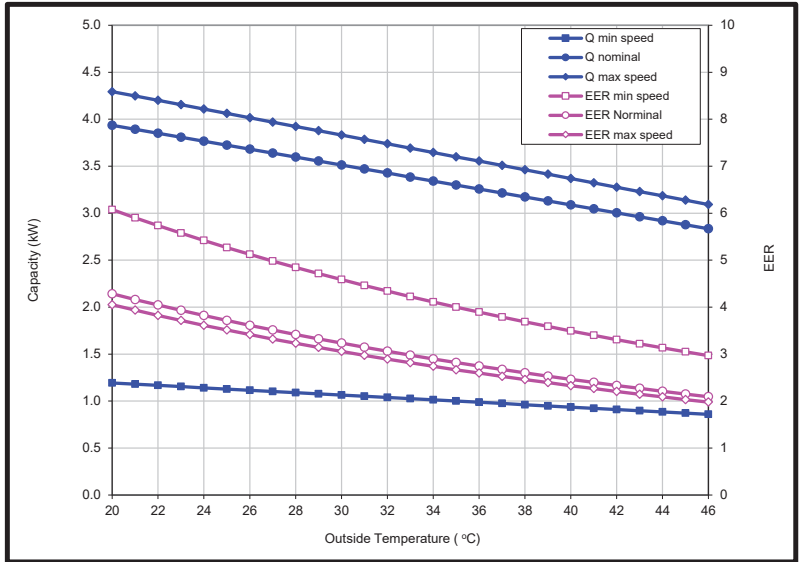
Model : RAS-B13B2KVG-E ; RAS-13B2AVG-E

Product specification :

Condition		Capacity (kW)	Power (kW)	EER/COP
Cooling JIS In: 27°C DB/19°C WB Out: 35°C DB/24°C WB	Min	1.00	0.25	4.00
	Rated	3.30	1.17	2.82
	Max	3.60	1.35	2.67
Heating JIS In: 20°C DB/15°C WB Out: 7°C DB/6°C WB	Min	0.76	0.18	4.22
	Rated	3.60	1.02	3.53
	Max	4.50	1.25	3.60
Heating Low Temp. In: 20°C DB/15°C WB Out: 2°C DB/1°C WB	Max	3.00	1.15	2.61
	Max	2.50	1.05	2.38

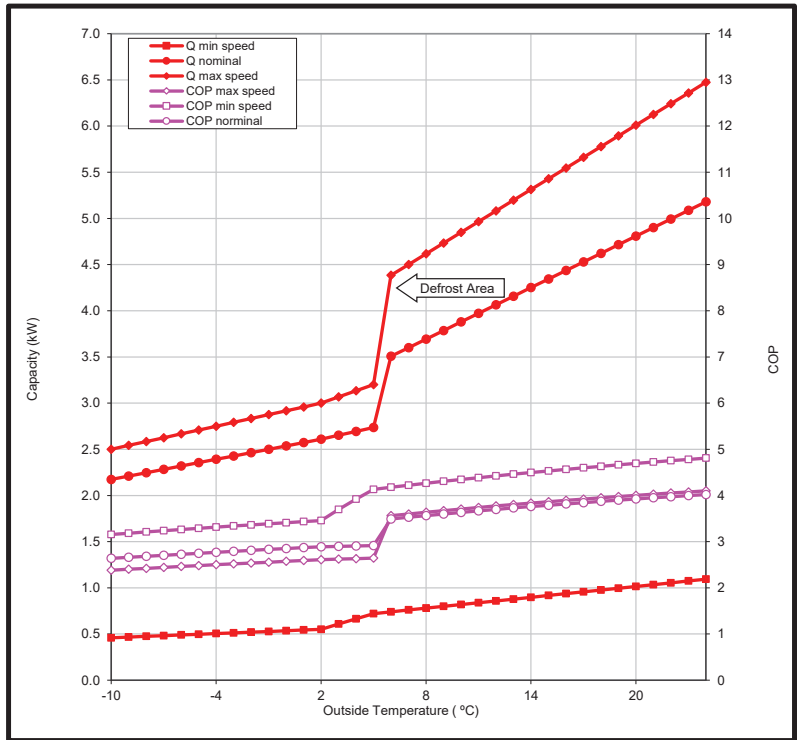
Cooling performance characteristic :

Outside Temp (°C)	Min capacity			Nominal capacity			Max capacity		
	Capacity (kW)	Power (kW)	EER (-)	Capacity (kW)	Power (kW)	EER (-)	Capacity (kW)	Power (kW)	EER (-)
20	1.19	0.20	6.08	3.94	0.92	4.28	4.29	1.06	4.05
21	1.18	0.20	5.90	3.89	0.94	4.16	4.25	1.08	3.94
22	1.17	0.20	5.74	3.85	0.95	4.04	4.20	1.10	3.82
23	1.15	0.21	5.57	3.81	0.97	3.93	4.15	1.12	3.72
24	1.14	0.21	5.42	3.77	0.99	3.82	4.11	1.14	3.61
25	1.13	0.21	5.27	3.72	1.00	3.71	4.06	1.16	3.51
26	1.12	0.22	5.12	3.68	1.02	3.61	4.02	1.18	3.42
27	1.10	0.22	4.98	3.64	1.04	3.51	3.97	1.20	3.32
28	1.09	0.22	4.85	3.60	1.05	3.42	3.92	1.21	3.23
29	1.08	0.23	4.71	3.55	1.07	3.32	3.88	1.23	3.14
30	1.06	0.23	4.59	3.51	1.09	3.23	3.83	1.25	3.06
31	1.05	0.24	4.46	3.47	1.10	3.15	3.78	1.27	2.97
32	1.04	0.24	4.34	3.43	1.12	3.06	3.74	1.29	2.89
33	1.03	0.24	4.22	3.38	1.14	2.98	3.69	1.31	2.82
34	1.01	0.25	4.11	3.34	1.15	2.90	3.65	1.33	2.74
35	1.00	0.25	4.00	3.30	1.17	2.82	3.60	1.35	2.67
36	0.99	0.25	3.89	3.26	1.19	2.74	3.55	1.37	2.60
37	0.97	0.26	3.79	3.22	1.20	2.67	3.51	1.39	2.53
38	0.96	0.26	3.69	3.17	1.22	2.60	3.46	1.41	2.46
39	0.95	0.26	3.59	3.13	1.24	2.53	3.42	1.43	2.39
40	0.94	0.27	3.49	3.09	1.25	2.46	3.37	1.45	2.33
41	0.92	0.27	3.40	3.05	1.27	2.40	3.32	1.47	2.27
42	0.91	0.28	3.31	3.00	1.29	2.33	3.28	1.49	2.21
43	0.90	0.28	3.22	2.96	1.30	2.27	3.23	1.50	2.15
44	0.88	0.28	3.13	2.92	1.32	2.21	3.18	1.52	2.09
45	0.87	0.29	3.05	2.88	1.34	2.15	3.14	1.54	2.03
46	0.86	0.29	2.97	2.83	1.35	2.09	3.09	1.56	1.98



Heating performance characteristic :

Outside Temp (°C)	Min capacity			Nominal capacity			Max capacity		
	Capacity (kW)	Power (kW)	COP (-)	Capacity (kW)	Power (kW)	COP (-)	Capacity (kW)	Power (kW)	COP (-)
-10	0.46	0.15	3.16	2.17	0.82	2.64	2.50	1.05	2.38
-9	0.47	0.15	3.18	2.21	0.83	2.66	2.54	1.06	2.40
-8	0.47	0.15	3.21	2.25	0.84	2.68	2.58	1.07	2.42
-7	0.48	0.15	3.24	2.28	0.84	2.71	2.63	1.08	2.44
-6	0.49	0.15	3.26	2.32	0.85	2.73	2.67	1.08	2.46
-5	0.50	0.15	3.29	2.36	0.86	2.75	2.71	1.09	2.48
-4	0.50	0.15	3.31	2.39	0.86	2.77	2.75	1.10	2.50
-3	0.51	0.15	3.34	2.43	0.87	2.79	2.79	1.11	2.52
-2	0.52	0.15	3.36	2.46	0.88	2.81	2.83	1.12	2.54
-1	0.53	0.16	3.39	2.50	0.88	2.83	2.88	1.13	2.56
0	0.54	0.16	3.41	2.54	0.89	2.85	2.92	1.13	2.57
1	0.54	0.16	3.43	2.57	0.90	2.87	2.96	1.14	2.59
2	0.55	0.16	3.46	2.61	0.90	2.89	3.00	1.15	2.61
3	0.61	0.16	3.70	2.65	0.91	2.90	3.07	1.17	2.62
4	0.66	0.17	3.92	2.69	0.93	2.91	3.13	1.19	2.63
5	0.72	0.17	4.13	2.74	0.94	2.91	3.20	1.21	2.64
6	0.74	0.18	4.18	3.51	1.00	3.49	4.38	1.23	3.56
7	0.76	0.18	4.22	3.60	1.02	3.53	4.50	1.25	3.60
8	0.78	0.18	4.27	3.69	1.04	3.57	4.62	1.27	3.64
9	0.80	0.19	4.31	3.79	1.05	3.60	4.73	1.29	3.67
10	0.82	0.19	4.35	3.88	1.07	3.63	4.85	1.31	3.71
11	0.84	0.19	4.39	3.97	1.08	3.67	4.96	1.33	3.74
12	0.86	0.19	4.42	4.06	1.10	3.70	5.08	1.35	3.77
13	0.88	0.20	4.46	4.16	1.11	3.73	5.20	1.37	3.80
14	0.90	0.20	4.50	4.25	1.13	3.76	5.31	1.39	3.83
15	0.92	0.20	4.53	4.34	1.15	3.79	5.43	1.40	3.86
16	0.94	0.21	4.57	4.44	1.16	3.82	5.55	1.42	3.89
17	0.96	0.21	4.60	4.53	1.18	3.84	5.66	1.44	3.92
18	0.98	0.21	4.63	4.62	1.19	3.87	5.78	1.46	3.95
19	1.00	0.21	4.66	4.71	1.21	3.90	5.89	1.48	3.98
20	1.01	0.22	4.69	4.81	1.23	3.92	6.01	1.50	4.00
21	1.03	0.22	4.72	4.90	1.24	3.95	6.13	1.52	4.03
22	1.05	0.22	4.75	4.99	1.26	3.97	6.24	1.54	4.05
23	1.07	0.22	4.78	5.09	1.27	4.00	6.36	1.56	4.08
24	1.09	0.23	4.81	5.18	1.29	4.02	6.47	1.58	4.10



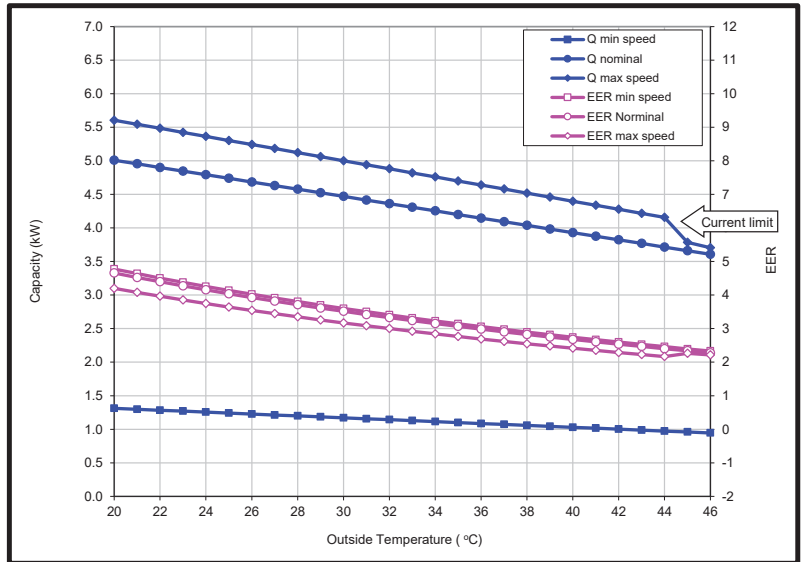
Model : RAS-B16B2KVG-E ; RAS-16B2AVG-E

Product specification :

Condition		Capacity (kW)	Power (kW)	EER/COP
Cooling JIS In: 27°C DB/19°C WB Out: 35°C DB/24°C WB	Min	1.10	0.35	3.14
	Rated	4.20	1.37	3.07
	Max	4.70	1.70	2.76
Heating JIS In: 20°C DB/15°C WB Out: 7°C DB/6°C WB	Min	0.85	0.25	3.40
	Rated	5.00	1.45	3.45
	Max	6.00	1.90	3.16
Heating Low Temp. In: 20°C DB/15°C WB Out: 2°C DB/1°C WB	Max	4.20	1.60	2.63
	Max	3.70	1.40	2.64

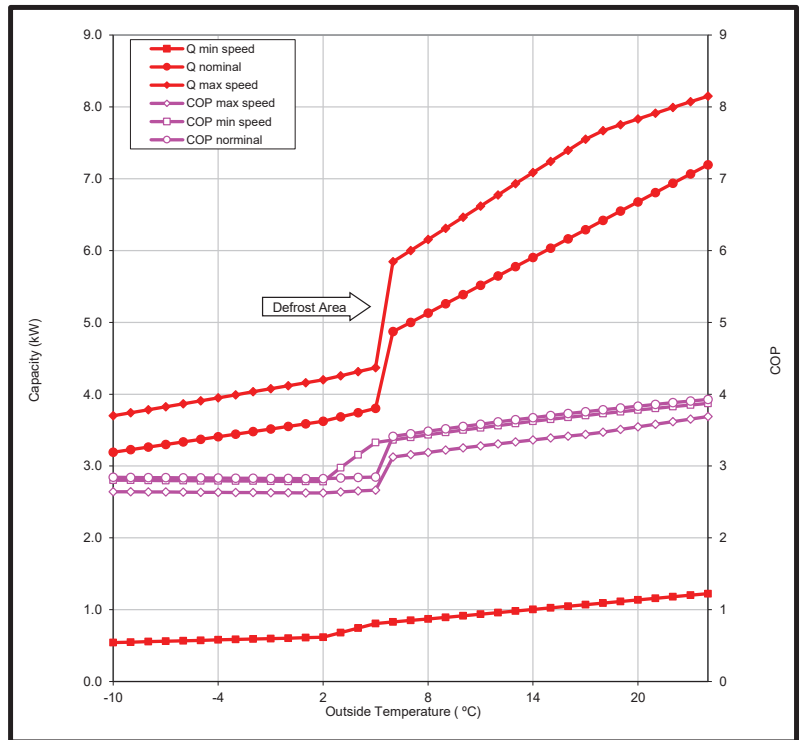
Cooling performance characteristic :

Outside Temp (°C)	Min capacity			Nominal capacity			Max capacity		
	Capacity (kW)	Power (kW)	EER (-)	Capacity (kW)	Power (kW)	EER (-)	Capacity (kW)	Power (kW)	EER (-)
20	1.31	0.27	4.77	5.01	1.08	4.66	5.60	1.33	4.20
21	1.30	0.28	4.64	4.95	1.10	4.52	5.54	1.36	4.08
22	1.28	0.28	4.51	4.90	1.11	4.40	5.48	1.38	3.96
23	1.27	0.29	4.38	4.85	1.13	4.27	5.42	1.41	3.85
24	1.26	0.29	4.26	4.79	1.15	4.15	5.36	1.43	3.75
25	1.24	0.30	4.14	4.74	1.17	4.04	5.30	1.46	3.64
26	1.23	0.30	4.03	4.69	1.19	3.93	5.24	1.48	3.54
27	1.21	0.31	3.91	4.63	1.21	3.82	5.18	1.51	3.44
28	1.20	0.31	3.81	4.58	1.23	3.71	5.12	1.53	3.35
29	1.18	0.32	3.70	4.52	1.25	3.61	5.06	1.55	3.26
30	1.17	0.32	3.60	4.47	1.27	3.51	5.00	1.58	3.17
31	1.16	0.33	3.51	4.42	1.29	3.42	4.94	1.60	3.08
32	1.14	0.33	3.41	4.36	1.31	3.33	4.88	1.63	3.00
33	1.13	0.34	3.32	4.31	1.33	3.24	4.82	1.65	2.92
34	1.11	0.34	3.23	4.25	1.35	3.15	4.76	1.68	2.84
35	1.10	0.35	3.14	4.20	1.37	3.07	4.70	1.70	2.76
36	1.09	0.36	3.06	4.15	1.39	2.98	4.64	1.72	2.69
37	1.07	0.36	2.98	4.09	1.41	2.90	4.58	1.75	2.62
38	1.06	0.37	2.90	4.04	1.43	2.83	4.52	1.77	2.55
39	1.04	0.37	2.82	3.98	1.45	2.75	4.46	1.80	2.48
40	1.03	0.38	2.74	3.93	1.47	2.68	4.40	1.82	2.41
41	1.02	0.38	2.67	3.88	1.49	2.61	4.34	1.85	2.35
42	1.00	0.39	2.60	3.82	1.51	2.54	4.28	1.87	2.29
43	0.99	0.39	2.53	3.77	1.53	2.47	4.22	1.89	2.23
44	0.97	0.40	2.46	3.71	1.55	2.40	4.16	1.92	2.17
45	0.96	0.40	2.40	3.66	1.57	2.34	4.10	1.94	2.11
46	0.94	0.41	2.33	3.61	1.59	2.27	4.04	1.96	2.05



Heating performance characteristic :

Outside Temp (°C)	Min capacity			Nominal capacity			Max capacity		
	Capacity (kW)	Power (kW)	COP (-)	Capacity (kW)	Power (kW)	COP (-)	Capacity (kW)	Power (kW)	COP (-)
-10	0.54	0.19	2.80	3.19	1.12	2.84	3.70	1.40	2.64
-9	0.55	0.20	2.80	3.23	1.14	2.84	3.74	1.42	2.64
-8	0.55	0.20	2.80	3.26	1.15	2.84	3.78	1.43	2.64
-7	0.56	0.20	2.80	3.30	1.16	2.84	3.83	1.45	2.64
-6	0.57	0.20	2.80	3.34	1.18	2.84	3.87	1.47	2.64
-5	0.57	0.21	2.79	3.37	1.19	2.83	3.91	1.48	2.63
-4	0.58	0.21	2.79	3.41	1.20	2.83	3.95	1.50	2.63
-3	0.59	0.21	2.79	3.44	1.22	2.83	3.99	1.52	2.63
-2	0.59	0.21	2.79	3.48	1.23	2.83	4.03	1.53	2.63
-1	0.60	0.21	2.79	3.52	1.24	2.83	4.08	1.55	2.63
0	0.60	0.22	2.79	3.55	1.26	2.83	4.12	1.57	2.63
1	0.61	0.22	2.79	3.59	1.27	2.83	4.16	1.58	2.63
2	0.62	0.22	2.78	3.62	1.28	2.82	4.20	1.60	2.63
3	0.68	0.23	2.98	3.68	1.30	2.83	4.26	1.61	2.64
4	0.74	0.24	3.16	3.74	1.32	2.84	4.31	1.63	2.65
5	0.81	0.24	3.33	3.80	1.33	2.85	4.37	1.64	2.66
6	0.83	0.25	3.36	4.87	1.43	3.41	5.85	1.87	3.12
7	0.85	0.25	3.40	5.00	1.45	3.45	6.00	1.90	3.16
8	0.87	0.25	3.43	5.13	1.47	3.48	6.15	1.93	3.19
9	0.89	0.26	3.47	5.26	1.49	3.52	6.31	1.96	3.22
10	0.92	0.26	3.50	5.39	1.52	3.55	6.46	1.99	3.25
11	0.94	0.27	3.53	5.52	1.54	3.58	6.62	2.02	3.28
12	0.96	0.27	3.56	5.65	1.56	3.61	6.77	2.05	3.31
13	0.98	0.27	3.59	5.77	1.58	3.64	6.93	2.08	3.34
14	1.00	0.28	3.62	5.90	1.61	3.67	7.08	2.11	3.36
15	1.03	0.28	3.65	6.03	1.63	3.70	7.24	2.14	3.39
16	1.05	0.28	3.68	6.16	1.65	3.73	7.39	2.16	3.42
17	1.07	0.29	3.70	6.29	1.67	3.76	7.55	2.19	3.44
18	1.09	0.29	3.73	6.42	1.70	3.78	7.67	2.21	3.47
19	1.11	0.30	3.76	6.55	1.72	3.81	7.75	2.21	3.51
20	1.14	0.30	3.78	6.68	1.74	3.83	7.83	2.21	3.55
21	1.16	0.30	3.80	6.81	1.76	3.86	7.91	2.21	3.58
22	1.18	0.31	3.83	6.94	1.79	3.88	7.99	2.21	3.62
23	1.20	0.31	3.85	7.06	1.81	3.90	8.07	2.21	3.65
24	1.22	0.32	3.87	7.19	1.83	3.93	8.15	2.21	3.69



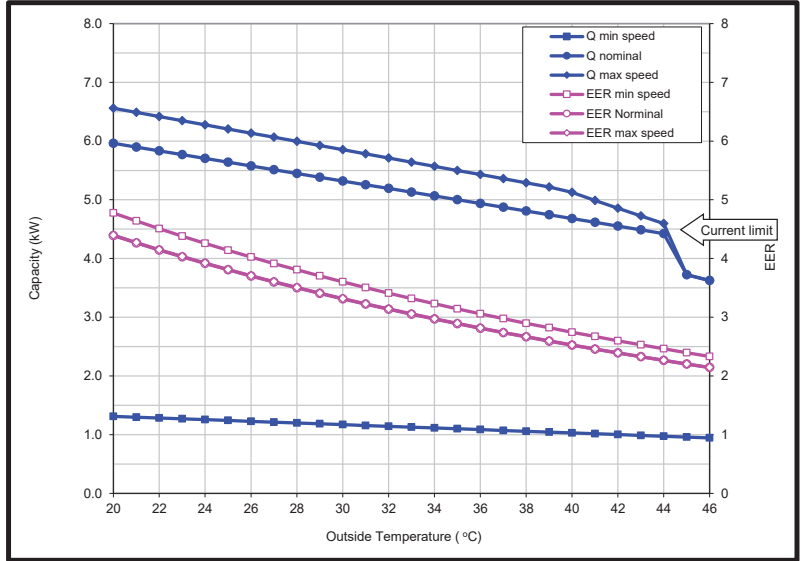
Model : RAS-B18B2KVG-E ; RAS-18B2AVG-E

Product specification :

Condition		Capacity (kW)	Power (kW)	EER/COP
Cooling JIS In: 27°C DB/19°C WB Out: 35°C DB/24°C WB	Min	1.10	0.35	3.14
	Rated	5.00	1.73	2.89
	Max	5.50	1.90	2.89
Heating JIS In: 20°C DB/15°C WB Out: 7°C DB/6°C WB	Min	1.10	0.27	4.07
	Rated	5.40	1.65	3.27
	Max	6.00	1.88	3.19
Heating Low Temp. In: 20°C DB/15°C WB Out: 2°C DB/1°C WB	Max	4.10	1.70	2.41
	Max	3.80	1.50	2.53

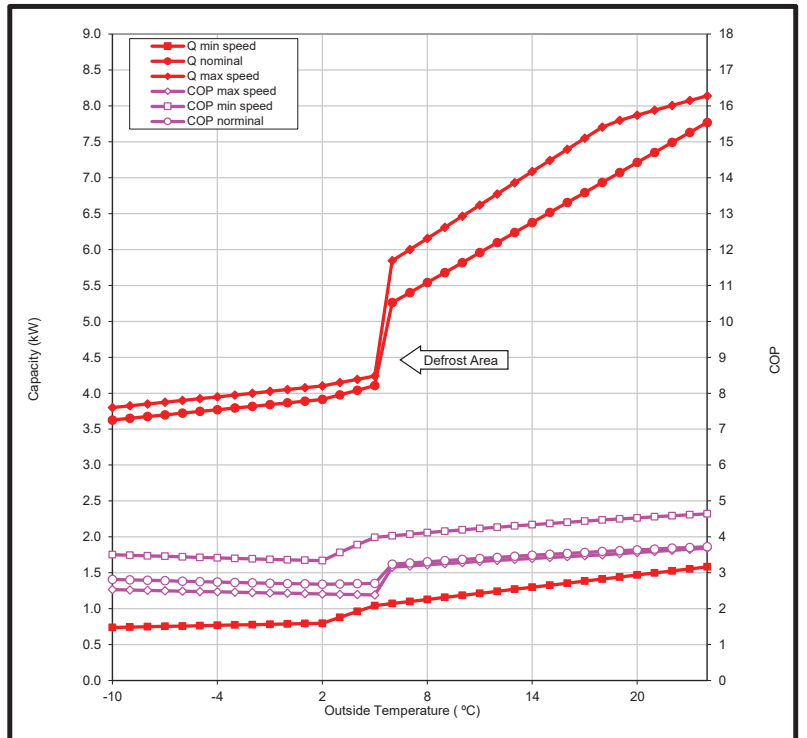
Cooling performance characteristic :

Outside Temp (°C)	Min capacity			Nominal capacity			Max capacity		
	Capacity (kW)	Power (kW)	EER (-)	Capacity (kW)	Power (kW)	EER (-)	Capacity (kW)	Power (kW)	EER (-)
20	1.31	0.27	4.77	5.96	1.36	4.39	6.56	1.49	4.40
21	1.30	0.28	4.64	5.90	1.38	4.27	6.49	1.52	4.27
22	1.28	0.28	4.51	5.83	1.41	4.14	6.42	1.55	4.15
23	1.27	0.29	4.38	5.77	1.43	4.03	6.35	1.57	4.03
24	1.26	0.29	4.26	5.71	1.46	3.92	6.28	1.60	3.92
25	1.24	0.30	4.14	5.64	1.48	3.81	6.21	1.63	3.81
26	1.23	0.30	4.03	5.58	1.51	3.70	6.14	1.65	3.71
27	1.21	0.31	3.91	5.51	1.53	3.60	6.06	1.68	3.61
28	1.20	0.31	3.81	5.45	1.56	3.50	5.99	1.71	3.51
29	1.18	0.32	3.70	5.39	1.58	3.41	5.92	1.74	3.41
30	1.17	0.32	3.60	5.32	1.61	3.31	5.85	1.76	3.32
31	1.16	0.33	3.51	5.26	1.63	3.22	5.78	1.79	3.23
32	1.14	0.33	3.41	5.19	1.66	3.14	5.71	1.82	3.14
33	1.13	0.34	3.32	5.13	1.68	3.05	5.64	1.85	3.06
34	1.11	0.34	3.23	5.06	1.71	2.97	5.57	1.87	2.97
35	1.10	0.35	3.14	5.00	1.73	2.89	5.50	1.90	2.89
36	1.09	0.36	3.06	4.94	1.75	2.81	5.43	1.93	2.82
37	1.07	0.36	2.98	4.87	1.78	2.74	5.36	1.95	2.74
38	1.06	0.37	2.90	4.81	1.80	2.66	5.29	1.98	2.67
39	1.04	0.37	2.82	4.74	1.83	2.59	5.22	2.01	2.60
40	1.03	0.38	2.74	4.68	1.85	2.52	5.15	2.03	2.53
41	1.02	0.38	2.67	4.62	1.88	2.46	5.08	2.03	2.46
42	1.00	0.39	2.60	4.55	1.90	2.39	5.01	2.03	2.39
43	0.99	0.39	2.53	4.49	1.93	2.33	4.94	2.03	2.33
44	0.97	0.40	2.46	4.42	1.95	2.26	4.87	2.03	2.27
45	0.96	0.40	2.40	4.36	1.99	2.20	4.80	2.03	2.20
46	0.94	0.41	2.33	4.29	2.02	2.14	4.73	2.03	2.14



Heating performance characteristic :

Outside Temp (°C)	Min capacity			Nominal capacity			Max capacity		
	Capacity (kW)	Power (kW)	COP (-)	Capacity (kW)	Power (kW)	COP (-)	Capacity (kW)	Power (kW)	COP (-)
-10	0.74	0.21	3.50	3.63	1.29	2.81	3.80	1.50	2.53
-9	0.74	0.21	3.49	3.65	1.30	2.80	3.83	1.52	2.52
-8	0.75	0.22	3.47	3.67	1.32	2.79	3.85	1.53	2.51
-7	0.75	0.22	3.46	3.70	1.33	2.78	3.88	1.55	2.50
-6	0.76	0.22	3.44	3.72	1.35	2.77	3.90	1.57	2.49
-5	0.76	0.22	3.43	3.75	1.36	2.75	3.93	1.58	2.48
-4	0.77	0.22	3.41	3.77	1.37	2.74	3.95	1.60	2.47
-3	0.77	0.23	3.40	3.79	1.39	2.73	3.98	1.62	2.46
-2	0.78	0.23	3.39	3.82	1.40	2.72	4.00	1.63	2.45
-1	0.78	0.23	3.37	3.84	1.42	2.71	4.03	1.65	2.44
0	0.79	0.23	3.36	3.87	1.43	2.70	4.05	1.67	2.43
1	0.79	0.24	3.35	3.89	1.45	2.69	4.08	1.68	2.42
2	0.80	0.24	3.34	3.91	1.46	2.68	4.10	1.70	2.41
3	0.88	0.25	3.57	3.98	1.48	2.69	4.15	1.73	2.40
4	0.96	0.25	3.78	4.04	1.50	2.70	4.19	1.75	2.39
5	1.04	0.26	3.99	4.11	1.52	2.70	4.24	1.78	2.38
6	1.07	0.27	4.03	4.16	1.54	2.70	4.29	1.81	2.37
7	1.10	0.27	4.07	4.20	1.55	2.70	4.34	1.84	2.36
8	1.13	0.27	4.12	4.25	1.56	2.70	4.39	1.87	2.35
9	1.16	0.28	4.16	4.30	1.57	2.70	4.44	1.90	2.34
10	1.19	0.28	4.19	4.35	1.58	2.70	4.49	1.93	2.33
11	1.21	0.29	4.23	4.40	1.59	2.70	4.54	1.96	2.32
12	1.24	0.29	4.27	4.45	1.60	2.70	4.59	1.99	2.31
13	1.27	0.30	4.30	4.50	1.61	2.70	4.64	2.02	2.30
14	1.30	0.30	4.34	4.55	1.62	2.70	4.69	2.05	2.29
15	1.33	0.30	4.37	4.60	1.63	2.70	4.74	2.08	2.28
16	1.36	0.31	4.41	4.65	1.64	2.70	4.79	2.11	2.27
17	1.38	0.31	4.44	4.70	1.65	2.70	4.84	2.14	2.26
18	1.41	0.32	4.47	4.75	1.66	2.70	4.89	2.17	2.25
19	1.44	0.32	4.50	4.80	1.67	2.70	4.94	2.20	2.24
20	1.47	0.32	4.53	4.85	1.68	2.70	4.99	2.23	2.23
21	1.50	0.33	4.56	4.90	1.69	2.70	5.04	2.26	2.22
22	1.53	0.33	4.59	4.95	1.70	2.70	5.09	2.29	2.21
23	1.55	0.34	4.61	5.00	1.71	2.70	5.14	2.32	2.20
24	1.58	0.34	4.64	5.05	1.72	2.70	5.19	2.35	2.19



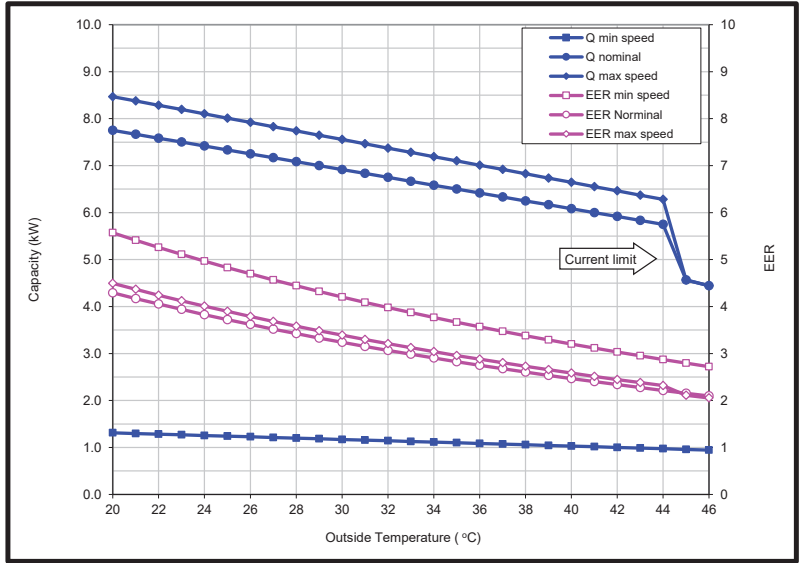
Model : RAS-B24B2KVG-E ; RAS-24B2AVG-E

Product specification :

Condition		Capacity (kW)	Power (kW)	EER/COP
Cooling JIS In: 27°C DB/19°C WB Out: 35°C DB/24°C WB	Min	1.10	0.30	3.67
	Rated	6.50	2.30	2.83
	Max	7.10	2.40	2.96
Heating JIS In: 20°C DB/15°C WB Out: 7°C DB/6°C WB	Min	1.20	0.27	4.44
	Rated	7.00	2.10	3.33
	Max	8.00	2.50	3.20
Heating Low Temp. In: 20°C DB/15°C WB Out: 2°C DB/1°C WB	Max	5.70	1.80	3.17
	Max	5.00	1.50	3.33

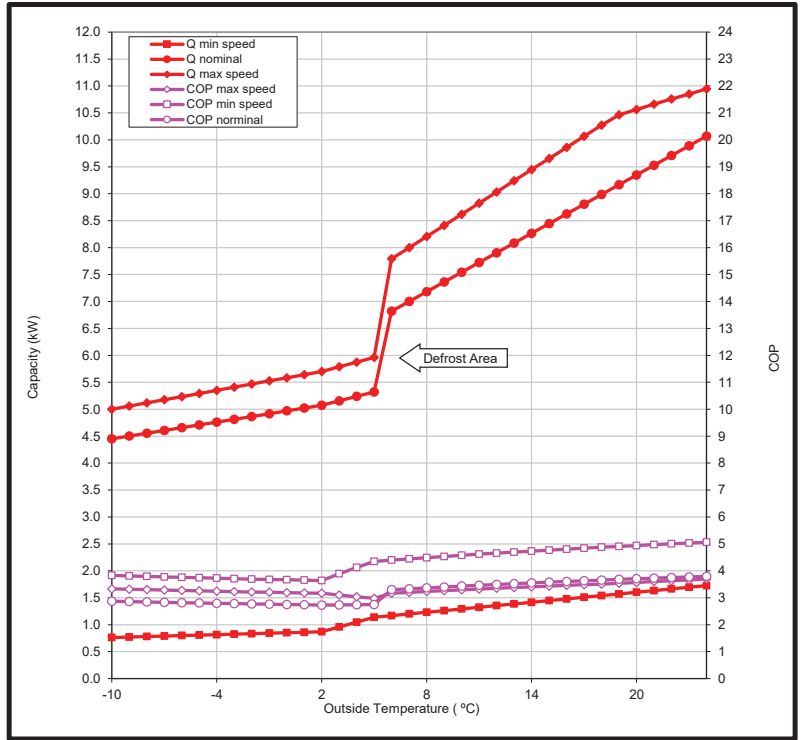
Cooling performance characteristic :

Outside Temp (°C)	Min capacity			Nominal capacity			Max capacity		
	Capacity (kW)	Power (kW)	EER (-)	Capacity (kW)	Power (kW)	EER (-)	Capacity (kW)	Power (kW)	EER (-)
20	1.31	0.24	5.57	7.75	1.81	4.29	8.47	1.88	4.49
21	1.30	0.24	5.41	7.67	1.84	4.17	8.38	1.92	4.37
22	1.28	0.24	5.26	7.58	1.87	4.05	8.28	1.95	4.24
23	1.27	0.25	5.11	7.50	1.90	3.94	8.19	1.99	4.12
24	1.26	0.25	4.97	7.42	1.94	3.83	8.10	2.02	4.01
25	1.24	0.26	4.83	7.33	1.97	3.72	8.01	2.06	3.90
26	1.23	0.26	4.70	7.25	2.00	3.62	7.92	2.09	3.79
27	1.21	0.27	4.57	7.17	2.04	3.52	7.83	2.12	3.68
28	1.20	0.27	4.44	7.08	2.07	3.42	7.74	2.16	3.58
29	1.18	0.27	4.32	7.00	2.10	3.33	7.65	2.19	3.49
30	1.17	0.28	4.20	6.92	2.14	3.24	7.56	2.23	3.39
31	1.16	0.28	4.09	6.83	2.17	3.15	7.46	2.26	3.30
32	1.14	0.29	3.98	6.75	2.20	3.07	7.37	2.30	3.21
33	1.13	0.29	3.87	6.67	2.23	2.98	7.28	2.33	3.12
34	1.11	0.30	3.77	6.58	2.27	2.90	7.19	2.37	3.04
35	1.10	0.30	3.67	6.50	2.30	2.83	7.10	2.40	2.96
36	1.09	0.30	3.57	6.42	2.33	2.75	7.01	2.43	2.88
37	1.07	0.31	3.47	6.33	2.37	2.68	6.92	2.47	2.80
38	1.06	0.31	3.38	6.25	2.40	2.61	6.83	2.50	2.73
39	1.04	0.32	3.29	6.17	2.43	2.54	6.74	2.54	2.65
40	1.03	0.32	3.20	6.08	2.46	2.47	6.64	2.57	2.58
41	1.02	0.33	3.12	6.00	2.50	2.40	6.55	2.61	2.51
42	1.00	0.33	3.03	5.92	2.53	2.34	6.46	2.64	2.45
43	0.99	0.33	2.95	5.83	2.56	2.28	6.37	2.68	2.38
44	0.97	0.34	2.87	5.75	2.60	2.21	6.28	2.71	2.32
45	0.96	0.34	2.80	5.67	2.63	2.15	6.19	2.74	2.26
46	0.94	0.35	2.72	5.58	2.66	2.10	6.10	2.77	2.20



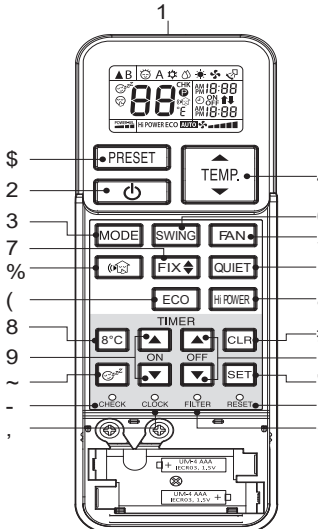
Heating performance characteristic :

Outside Temp (°C)	Min capacity			Nominal capacity			Max capacity		
	Capacity (kW)	Power (kW)	COP (-)	Capacity (kW)	Power (kW)	COP (-)	Capacity (kW)	Power (kW)	COP (-)
-10	0.76	0.20	3.83	4.45	1.55	2.87	5.00	1.50	3.33
-9	0.77	0.20	3.81	4.50	1.57	2.86	5.06	1.53	3.32
-8	0.78	0.21	3.79	4.55	1.60	2.85	5.12	1.55	3.30
-7	0.79	0.21	3.78	4.61	1.63	2.83	5.18	1.58	3.29
-6	0.80	0.21	3.76	4.66	1.65	2.82	5.23	1.60	3.27
-5	0.81	0.22	3.74	4.71	1.68	2.81	5.29	1.63	3.26
-4	0.82	0.22	3.73	4.76	1.70	2.79	5.35	1.65	3.24
-3	0.83	0.22	3.71	4.81	1.73	2.78	5.41	1.68	3.23
-2	0.83	0.23	3.70	4.86	1.76	2.77	5.47	1.70	3.22
-1	0.84	0.23	3.68	4.92	1.78	2.76	5.53	1.73	3.20
0	0.85	0.23	3.67	4.97	1.81	2.75	5.58	1.75	3.19
1	0.86	0.24	3.65	5.02	1.83	2.74	5.64	1.78	3.18
2	0.87	0.24	3.64	5.07	1.86	2.73	5.70	1.80	3.17
3	0.96	0.25	3.89	5.16	1.88	2.74	5.79	1.87	3.10
4	1.05	0.25	4.13	5.24	1.91	2.75	5.87	1.93	3.04
5	1.14	0.26	4.35	5.32	1.93	2.75	5.96	2.00	2.98
6	1.17	0.27	4.40	5.40	1.97	2.74	6.04	2.07	2.92
7	1.20	0.27	4.44	7.00	2.10	3.33	8.00	2.50	3.20
8	1.23	0.27	4.49	7.18	2.13	3.37	8.21	2.54	3.23
9	1.26	0.28	4.53	7.36	2.17	3.40	8.41	2.58	3.26
10	1.29	0.28	4.58	7.54	2.20	3.43	8.62	2.62	3.29
11	1.32	0.29	4.62	7.72	2.23	3.46	8.83	2.65	3.32
12	1.35	0.29	4.66	7.90	2.26	3.49	9.03	2.69	3.35
13	1.39	0.30	4.70	8.08	2.30	3.52	9.24	2.73	3.38
14	1.42	0.30	4.73	8.26	2.33	3.55	9.45	2.77	3.41
15	1.45	0.30	4.77	8.45	2.36	3.58	9.65	2.81	3.44
16	1.48	0.31	4.81	8.63	2.39	3.61	9.86	2.85	3.46
17	1.51	0.31	4.84	8.81	2.43	3.63	10.06	2.89	3.49
18	1.54	0.32	4.88	8.99	2.46	3.66	10.27	2.93	3.51
19	1.57	0.32	4.91	9.17	2.49	3.68	10.47	2.96	3.54
20	1.60	0.32	4.94	9.35	2.52	3.71	10.66	2.99	3.57
21	1.63	0.33	4.97	9.53	2.56	3.73	10.85	3.02	3.60
22	1.66	0.33	5.00	9.71	2.59	3.75	11.04	3.05	3.63
23	1.70	0.34	5.03	9.89	2.62	3.77	11.23	3.08	3.66
24	1.73	0.34	5.06	10.07	2.65	3.80	11.42	3.11	3.69

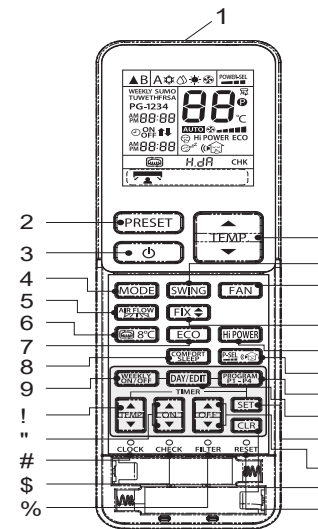
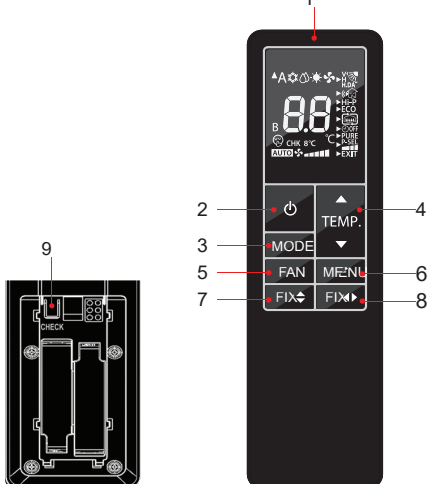


11. Accessories

Standard RC : WH-TG01NE

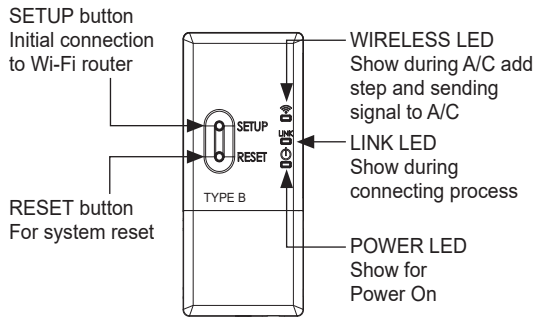
Appearance	Remote control features
	<ul style="list-style-type: none"> 1 Infrared signal emitter 2 Start/Stop button 3 Mode select button (MODE) 4 Temperature button (TEMP) 5 Fan speed button (FAN) 6 Swing louver button (SWING) 7 Set louver button (FIX) 8 8°C Heating Operation (8°C) 9 On timer button (ON) ! Off timer button (OFF) " Setup button (SET) # Clear button (CLR) \$ Memory and Preset button (PRESET) % Silent operation button (SILENT) & High power button (Hi POWER) (Eco button (ECO)) Quiet button (QUIET) ~ Comfort sleep button (COMFORT SLEEP) + Filter reset button (FILTER) - Set clock button (CLOCK) . Check button (CHECK) . Reset button (RESET)

Optional accessory RC : RB-RXS33-E , RB-RXS34-E

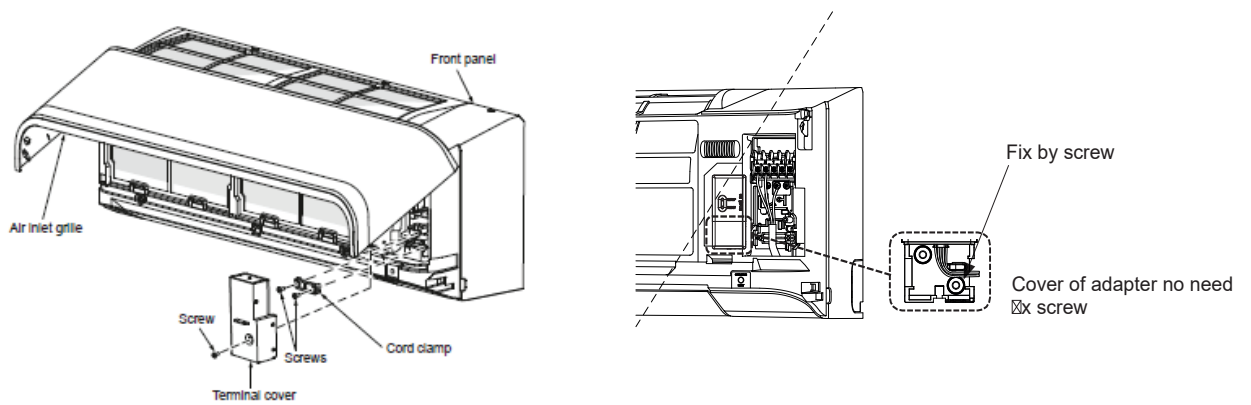
Appearance	Remote control features
	<ul style="list-style-type: none"> 1 Infrared signal emitter 2 Memory and Preset button (PRESET) 3 Start/Stop button 4 Mode select button (MODE) 5 Air flow/HADA CARE FLOW button 6 Fireplace/8°C button 7 ECO button 8 Comfort sleep button (COMFORT SLEEP) 9 Weekly timer (ON/OFF) ! Temp for Weekly timer " On timer button (ON) # Set clock button (CLOCK) \$ Check button (CHECK) % Filter reset button (FILTER) & Temperature button (TEMP) (Swing louver button (SWING)) Fan speed button (FAN) ~ Set louver button (FIX) + High power button (Hi POWER) - Power selection/Silent button (P-SEL/SILENT) . Program P1 - P4 . Day/Edit button / Setup button (SET) : Off timer button (OFF) ; Clear button (CLR) < Reset button (RESET)
	<ul style="list-style-type: none"> 1 Infrared signal emitter 2 Start/Stop button 3 Mode select button 4 Temperature button 5 Fan speed button 6 Menu select button 7 Set louver Up-Down button 8 Set louver Left-Right button 9 Check button* <p>*Check button under battery cover</p>

Optional Accessories

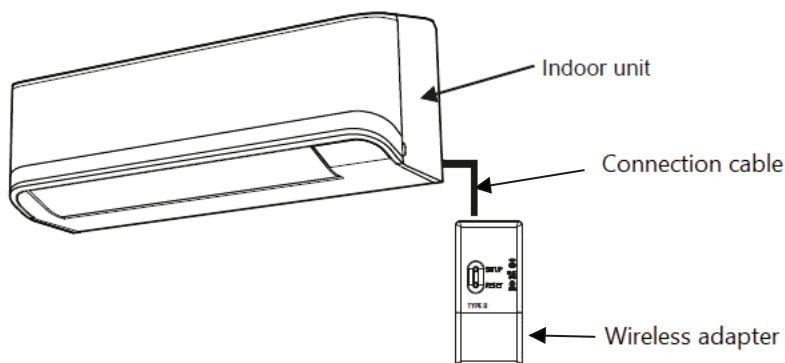
Wireless Adapter



RB-N105S-G : Wireless Adapter (Embedded inside indoor unit)



RB-N106S-G : Wireless Adapter (With connection cable)



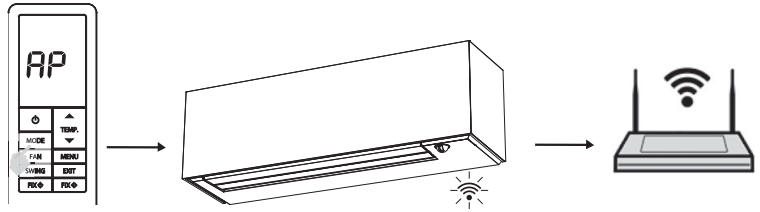
Toshiba Home AC Control application support



iOS : 9.0 or later.



Android : Version 5.0 or later.



Active Wireless adapter by Remote controller.

Toshiba Home AC Control application

Home screen

The image displays the Toshiba Home AC Control application interface. At the top, there are three sub-screens: 'Menu', 'Weekly schedule', and 'Setting'. The 'Menu' screen lists options like Home, Settings, and Google Assistant. The 'Weekly schedule' screen shows a calendar for Monday with controls for different rooms. The 'Setting' screen includes options for user information, theme, and AC time zone. The main 'Home' screen shows a list of AC units with their current status and temperature. Callouts point to various features: 'All AC On/Off', 'Group AC On/Off', 'Each AC On/Off', 'Group name', 'AC device is offline', 'Notification ERROR code description (pop up)', 'Add AC', 'Sub menu all AC', 'Sub menu group', 'Sub menu AC', 'Setting temperature / Actual room temp', 'Current operation mode of each AC', 'Energy Monitoring', 'Service Function', and 'Message'.

Setting in operation mode

Mode select

Tab for select AC

Weekly schedule

OFF-ON Timer set 0.5 - 12 Hrs.

Smart Sensing set

On Smart sensing

Select Direct/Indirect or Motion Tracking

Fan speed

Louver set

Temperature set

Indoor temperature

Outdoor temperature

Special feature

Off mode

Note : The Motion Tracking operation is the same as the Occupancy operation in the remote controller.

Summary features

	Model code	Comfort sleep	Hi power	Silent CDU	Power select	Eco logic	Fix & Swing	3D airflow	HADA care	Preset	Fan speed	Quiet FCU	8° C	Fire place	Off timer (0.5, 1-12hrs.)	24 Hrs. on-off timer	Weekly timer	On demand defrost	FCU led Dimming	Floor warming	Backlight display	Luminous button	Wired connectable RC
Standard RC	WH-TG01NE	✓	✓	✓	✗	✓	✓	✗	✗	✓	✓	✓	✓	✗	✗	✓	✗	✓	✓	✗	✗	✗	✗
Accessory RC	RB-RXS33-E	✓	✓	✓	✓	✓	✓	✗	✗	✓	✓	✓	✓	✗	✓	✓	✓	✓	✓	✗	✓	✓	✗
Accessory RC	RB-RXS34-E	✗	✓	✓	✓	✓	✓	✗	✗	✗	✓	✓	✓5-30°C	✗	✓	✗	✗	✓	✓	✗	✓	✗	✗
Accessory Wi-Fi	RB-N105S-G/ RB-N106S-G	✗	✓	✓	✓	✓	✓	✗	✗	✗	✓	✓	✓	✓	✓	✗	✓	✗	✗	✗			

TOSHIBA CARRIER (THAILAND) CO.,LTD.

144/9 Moo 5, Bangkadi Industrial Park, Tivanon Road, Tambol Bangkadi,
Amphur Muang, Pathumthani 12000, Thailand

Copyright © 2024 TOSHIBA CARRIER (THAILAND), All Rights Reserved

Notice : Toshiba is committed to continuously improving its products to ensure the highest quality and reliability standard, and to meet local regulations and market requirements. All features and specifications are subject to change without prior notice.
