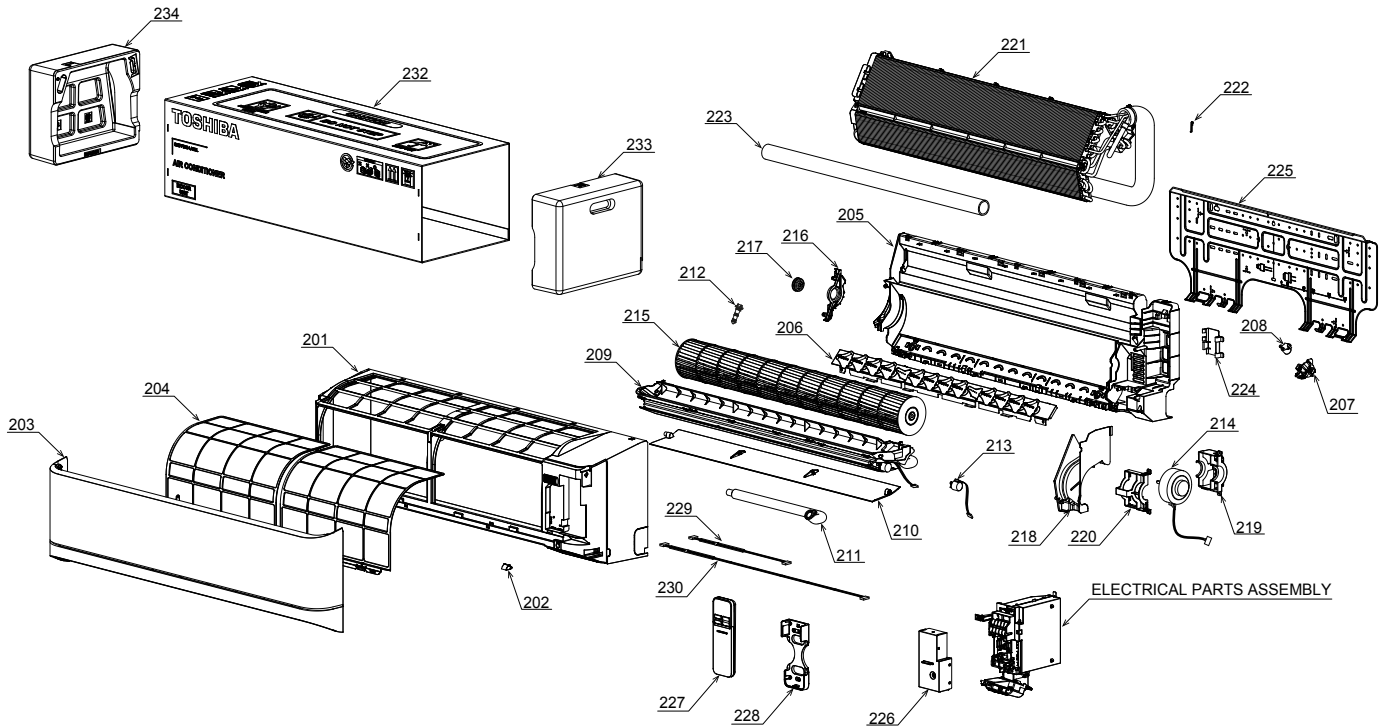


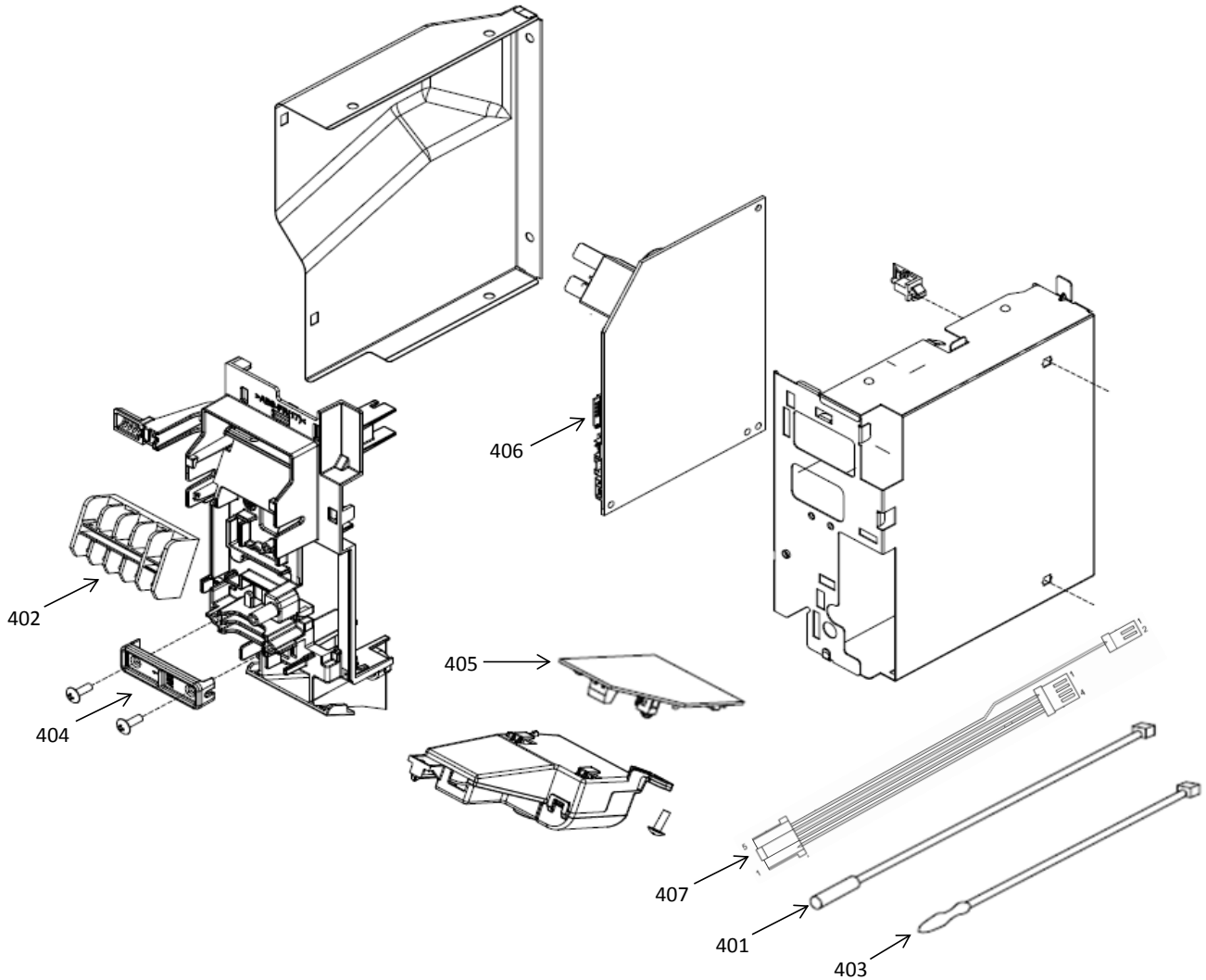
13. EXPLODED VIEWS AND PARTS LIST

13-1. Indoor Unit



Location No.	Part No.	Description	Location No.	Part No.	Description
201	43T00716	FRONT PANEL ASSY (RAS-18, 22PKVSG-E)	219	43T39381	MOTOR BAND BACK
201	43T00717	FRONT PANEL ASSY (RAS-24PKVSG-E)	220	43T39382	MOTOR BAND FRONT
202	43T00715	CAP SCREW	221	43T44588	REFRIGERATION CYCLE ASSY (RAS-18PKVSG-E)
203	43T09536	GRILLE OF AIR INLET ASSY	221	43T44589	REFRIGERATION CYCLE ASSY (RAS-22PKVSG-E)
204	43T80351	AIR FILTER	221	43T44590	REFRIGERATION CYCLE ASSY (RAS-24PKVSG-E)
205	43T03405	BACK BODY ASSY	222	43T19333	HOLDER, SENSOR
206	43T22353	VERTICAL LOUVER ASSY	223	43T49045	PIPE, SHIELD
207	43T03406	COVER MOTOR VT	224	43T49043	HOLDER, PIPE
208	43T21434	STEPPING-MOTOR	225	43T82008	PLATE, INSTALLATION
209	43T72333	DRAIN PAN ASSY	226	43T62360	TERMINAL COVER ASSY
210	43T22354	HORIZONTAL LOUVER	227	43T66370	WIRELESS REMOTE CONTROL
211	43T70321	DRAIN HOSE	228	43T83305	HOLDER, REMOTE CONTROL
212	43T79322	DRAIN CAP	229	43T60481	CORD MOTOR LOUVER RIGHT
213	43T21461	STEPPING MOTOR	230	43T60482	CORD MOTOR LOUVER LEFT
214	43T21471	MOTOR FAN	232	43T91333	PACKING SLEEVE
215	43T20357	CROSS FLOW FAN ASSY	233	43T91334	PACKING CUSHION RIGHT
216	43T39385	BASE BEARING	234	43T91335	PACKING CUSHION LEFT
217	43T22312	BEARING ASSY, MOLD			
218	43T39383	MOTOR COVER (RAS-18, 22PKVSG-E)			
218	43T39384	MOTOR COVER (RAS-24PKVSG-E)			

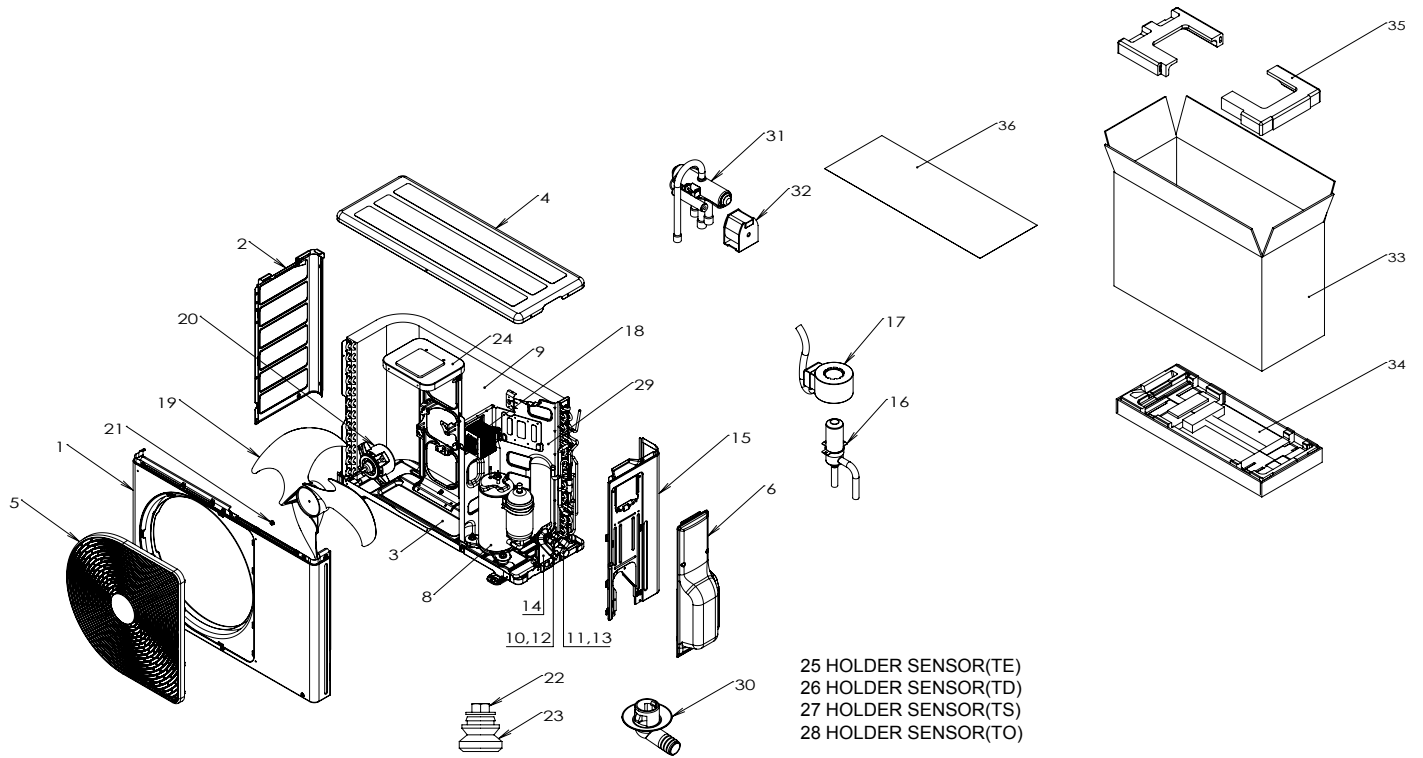
13-2. Indoor Unit (Part-E)
RAS-18, 22, 24PKVSG-E



Location No.	Part No.	Description	Location No.	Part No.	Description
401	43T69319	TEMPERATURE SENSOR	406	43T6V888	PC BOARD (RAS-18PKVSG-E)
402	43T6V673	TERMINAL(5P-TF)	406	43T6V889	PC BOARD (RAS-22PKVSG-E)
403	43T6V674	TEMPERATURE SENSOR	406	43T6V890	PC BOARD (RAS-24PKVSG-E)
404	43T62340	CORD-CLAMP	407	43T60480	HOUSING-WiFi
405	43T6V887	PC BOARD ASSY:WRS-LED			

13-3. Outdoor Unit

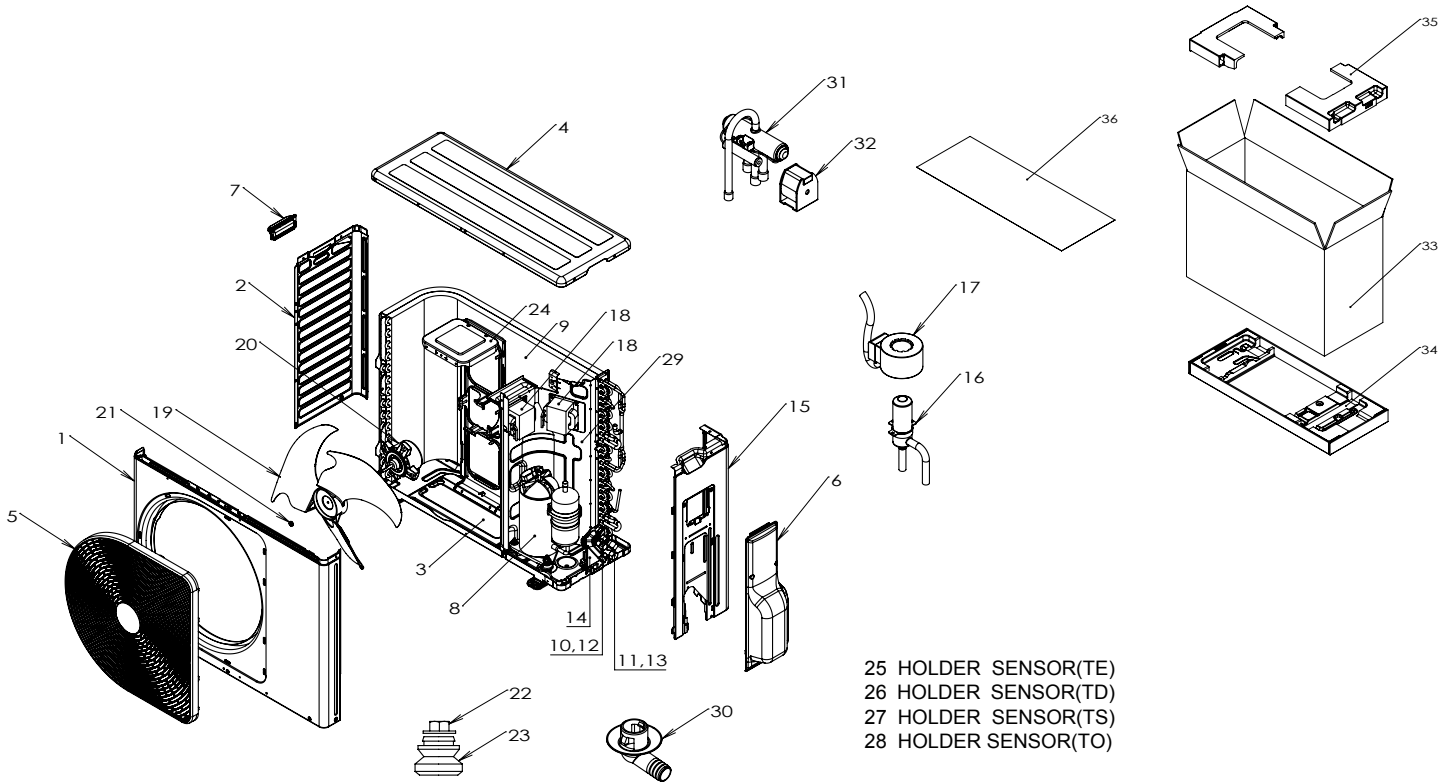
**RAS-18PAVSG-E
RAS-22PAVSG-E**



Location No.	Part No.	Description	Location No.	Part No.	Description
1	43T00688	FRONT CABINET ASSEMBLY	18	43T58309	REACTOR
2	43T00459	LEFT CABINET	19	43T20319	PROPELLER FAN
3	43T42327	BASE PLATE ASSEMBLY	20	43T21460	FAN MOTOR
4	43T00452	UPPER CABINET	21	43T47001	NUT FLANGE
5	43T19364	FAN GUARD	22	43T97001	NUT
6	43T00691	PACKED VALVE COVER ASSEMBLY	23	43T49327	CUSHION,RUBBER
8	43T41522	COMPRESSOR	24	43T39333	MOTOR BASE CONNECTION PLATE
9	43T43561	CONDENSER ASSEMBLY (RAS-18PAVSG-E)	25	43T63318	HOLDER SENSOR
9	43T43562	CONDENSER ASSEMBLY (RAS-22PAVSG-E)	26	43T63317	HOLDER,SENSOR
10	43T46435	VALVE; PACKED 6.35 DIA	27	43T63316	HOLDER,SENSOR
11	43T46461	VALVE; PACKED 12.7 DIA	28	43T63319	HOLDER,SENSOR
12	43T47331	BONNET, 6.35 DIA	29	43T04342	PARTITION ASSEMBLY
13	43T47333	BONNET, 12.70 DIA	30	43T79305	DRAIN NIPPLE
14	43T00448	FIXING PLATE VALVE	31	43T46367	4 WAY VALVE
15	43T00690	RIGHT CABINET ASSEMBLY	32	43T63327	COIL-4WAY
16	43T46469	BODY PMV	33	43T91343	CARTON BOX
17	43T63360	COIL PMV	34	43T91342	ASM-FBBRD-UD
			35	43T91314	CUSHION-PKG-UPR
			36	43T91301	PE SHEET

13-4. Outdoor Unit

RAS-24PAVSG-E

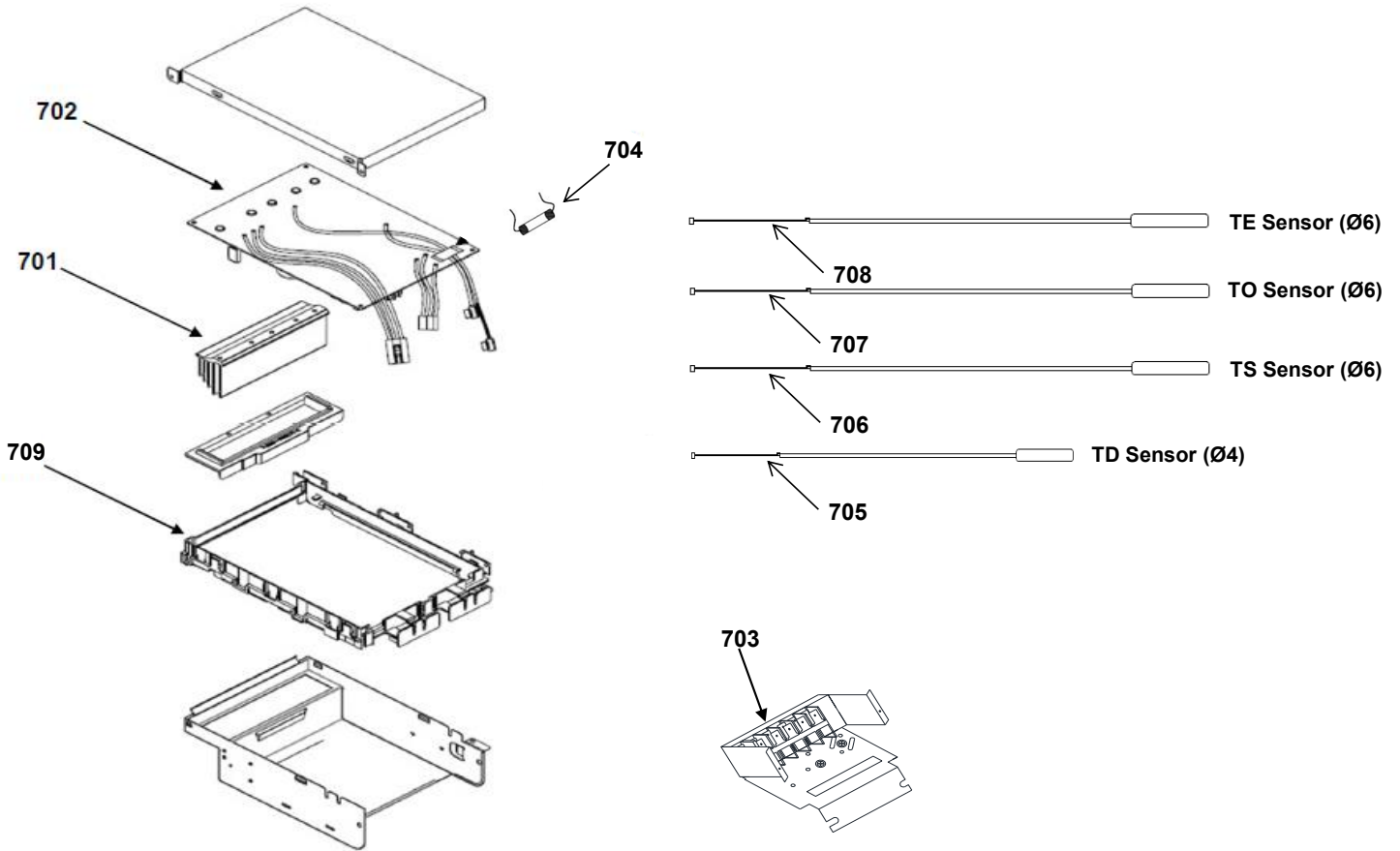


25 HOLDER SENSOR(TE)
 26 HOLDER SENSOR(TD)
 27 HOLDER SENSOR(TS)
 28 HOLDER SENSOR(TO)

Location No.	Part No.	Description	Location No.	Part No.	Description
1	43T00718	FRONT CABINET	19	43T20331	PROELLER FAN
2	43T00560	LEFT CABINET	20	4302C103	MOTOR-FAN
3	43T42345	BASE PLATE ASSEMBLY	21	43T47001	NUT FLANGE
4	43T00561	UPPER CABINET	22	43T97001	NUT
5	43T19371	FAN GUARD	23	43T49327	CUSHION,RUBBER
6	43T00691	PACKED VALVE COVER ASSEMBLY	24	43T39341	MOTOR BASE CONNECTION PLATE
7	43T19350	HANDLE	25	43T63318	HOLDER SENSOR
8	43T41523	COMPRESSOR	26	43T63317	HOLDER,SENSOR
9	43T43563	CONDENSER ASSEMBLY	27	43T63316	HOLDER,SENSOR
10	43T46435	VALVE; PACKED 6.35 DIA	28	43T63319	HOLDER,SENSOR
11	43T46461	VALVE; PACKED 12.7 DIA	29	43T04343	PARTITION ASSEMBLY
12	43T47331	BONNET, 6.35 DIA	30	43T79305	DRAIN NIPPLE
13	43T47333	BONNET, 12.70 DIA	31	43T46367	4 WAY VALVE
14	43T00448	FIXING PLATE VALVE	32	43046571	COIL-V-3WAY
15	43T00719	RIGHT SIDE CABINET ASSEMBLY	33	43T91336	CARTON-BOX
16	43T46469	BODY PMV	34	43T91338	FIBERBOARD UNDER ASSEMBLY
17	43T63360	COIL PMV	35	43T91337	CUSHION PACKING UPPER
18	43T58336	REACTOR	36	43T91301	PE SHEET

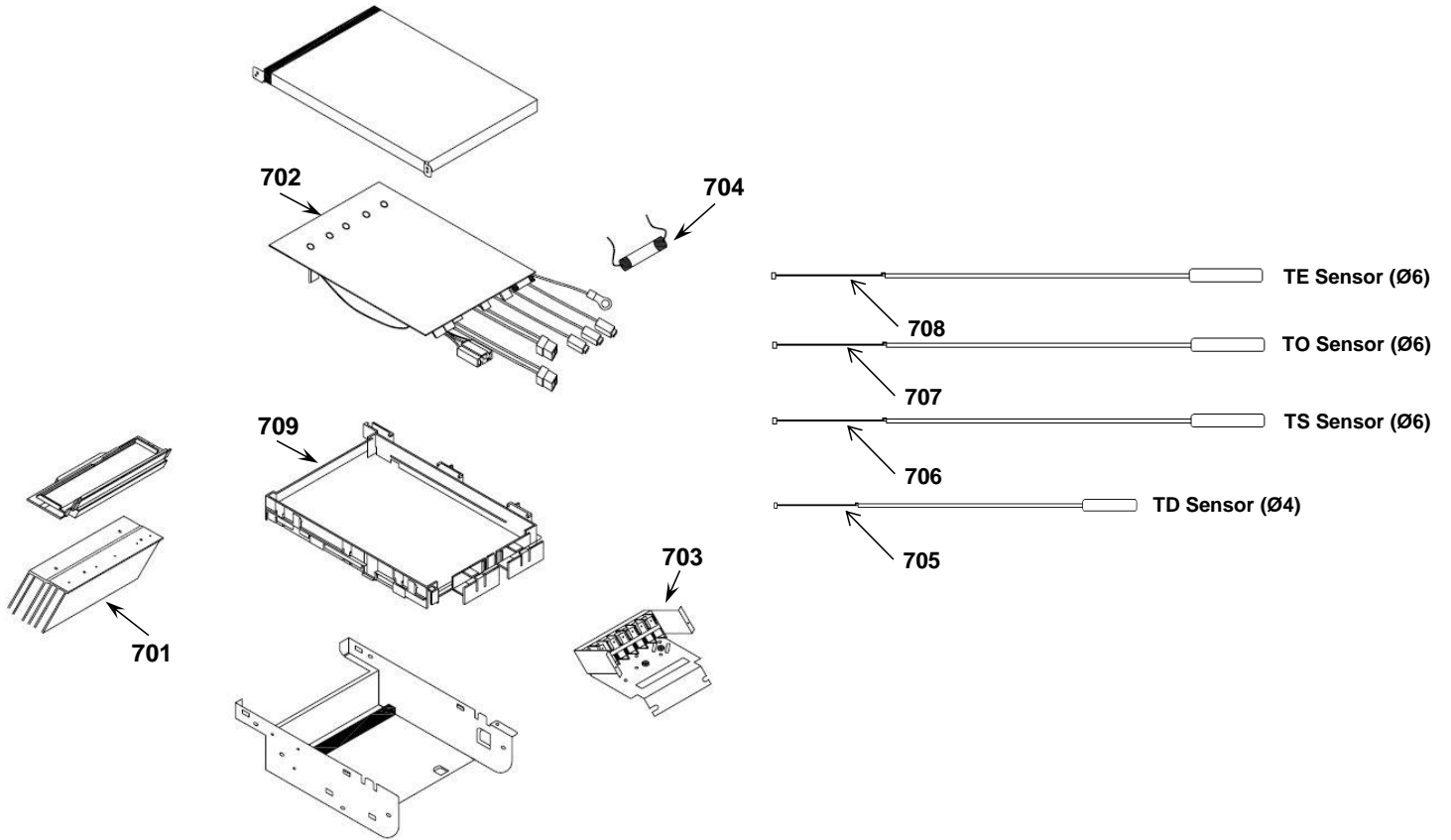
13-5. Outdoor Unit (Part-E)

RAS-18, 22PAVSG-E



Location No.	Part No.	Description	Location No.	Part No.	Description
701	43T62351	HEATSINK	705	43T50369	TEMPERATURE SENSOR
702	43T6W513	PC BOARD (RAS-18PAVSG-E)	706	43T50336	TEMPERATURE SENSOR
702	43T6V896	PC BOARD (RAS-22PAVSG-E)	707	43T50370	TEMPERATURE SENSOR
703	43T60392	TERMINAL-5P	708	43T50371	TEMPERATURE SENSOR
704	43T60326	FUSE	709	43T62313	PC PLATE BASE

13-6. Outdoor Unit (Part-E)
RAS-24PAVSG-E



Location No.	Part No.	Description	Location No.	Part No.	Description
701	43T62353	HEATSINK	706	43T50336	TEMPERATURE SENSOR
702	43T6V897	PC BOARD	707	43T50370	TEMPERATURE SENSOR
703	43T60384	TERMINAL-6P	708	43T50371	TEMPERATURE SENSOR
704	43T60326	FUSE	709	43T62313	PC PLATE BASE
705	43T50369	TEMPERATURE SENSOR			

TOSHIBA CARRIER (THAILAND) CO.,LTD.

**144/9 MOO 5, BANGKADI INDUSTRIAL PARK, TIVANON ROAD, TAMBOL BANGKADI,
AMPHUR MUANG, PATHUMTHANI 12000, THAILAND.**