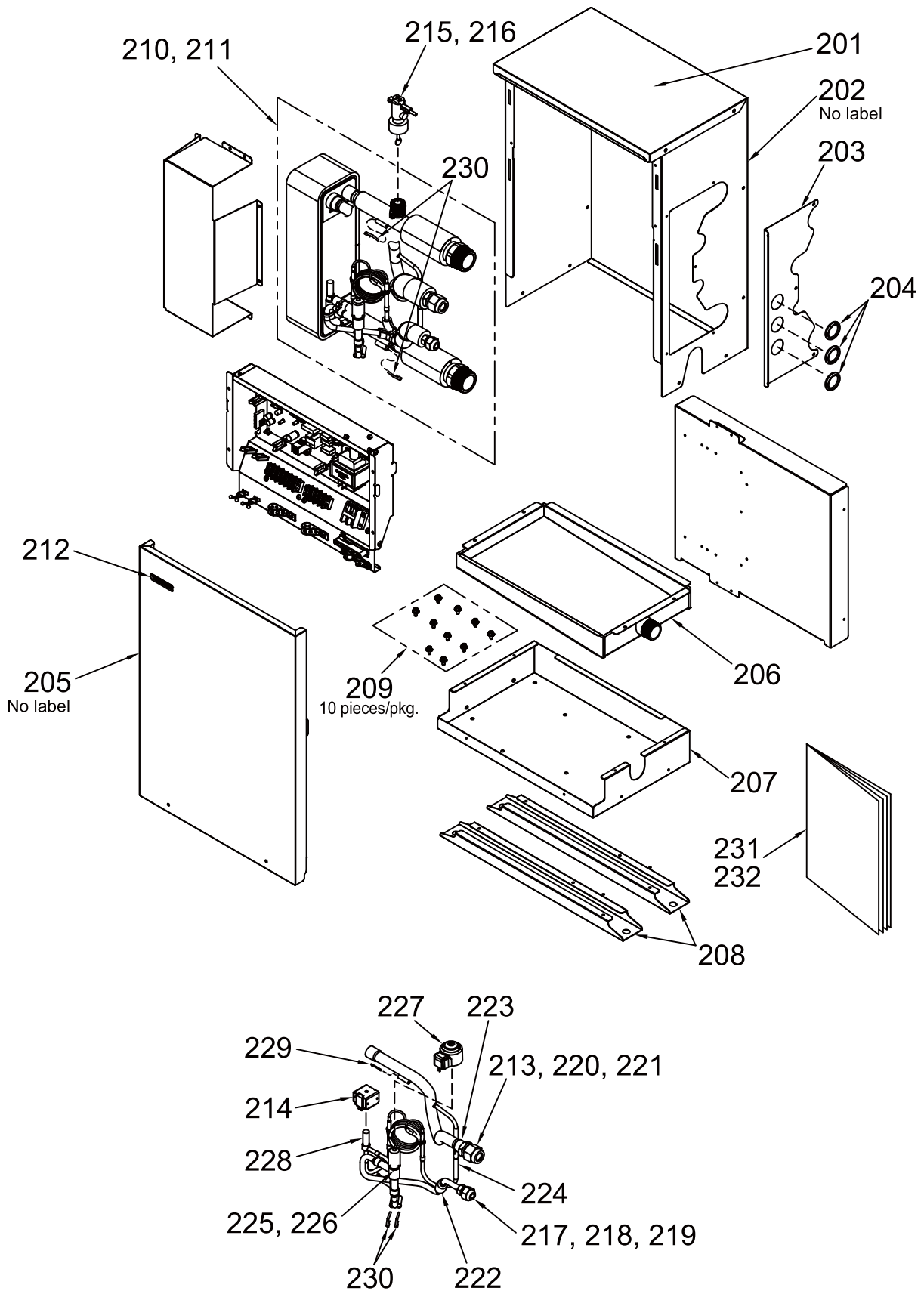


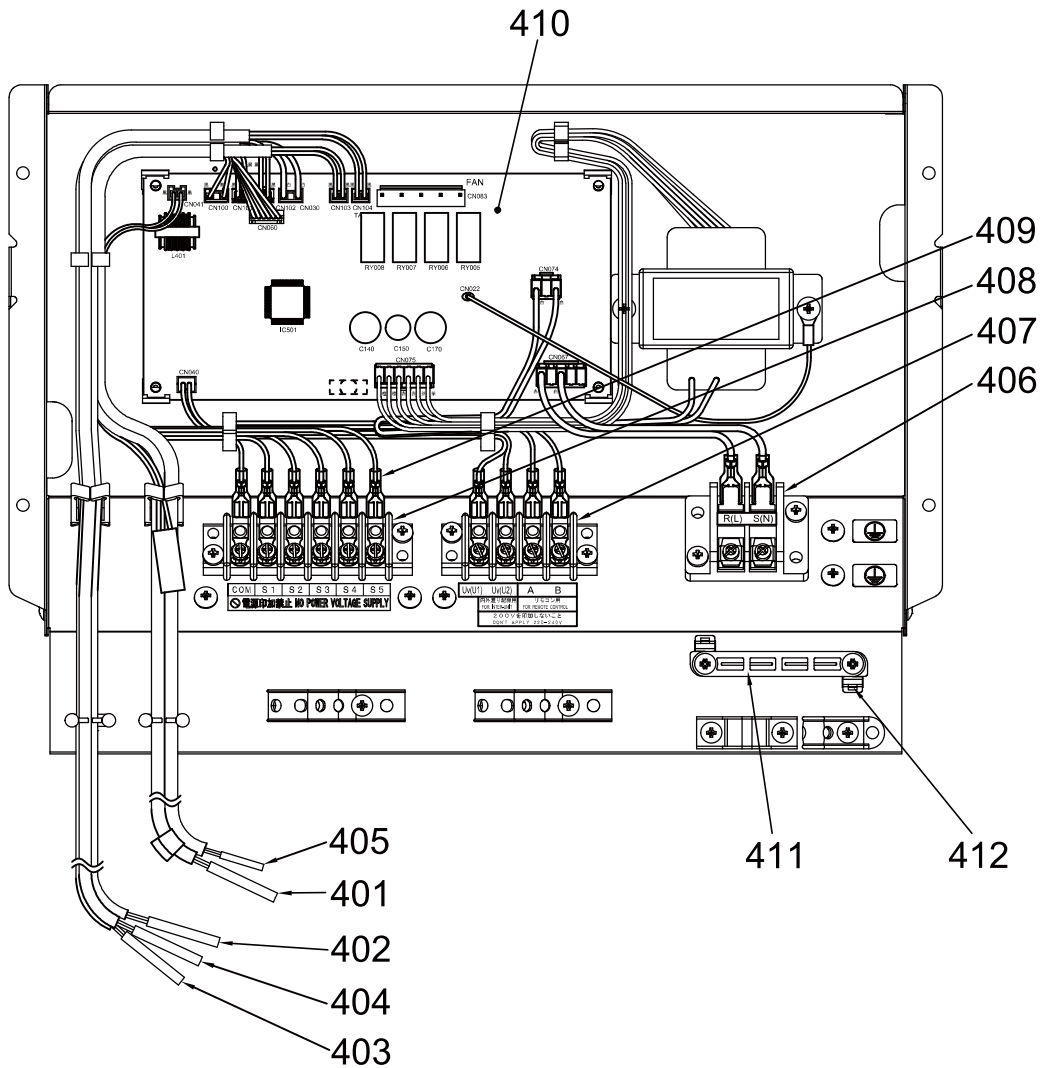
12. EXPLODED DIAGRAM / SERVICE PARTS LIST

MMW-UP0271LQ-E(TR), MMW-UP0561LQ-E(TR)



Location No.	Part No.	Description	Q'ty/Set MMW-UP			
			0271LQ-E	0561LQ-E	0271LQ-TR	0561LQ-TR
201	4310A201	CABINET,UP	1	1	1	1
202	4310A200	CANINET	1	1	1	1
203	43119530	PANEL, PIPE COVER	1	1	1	1
204	43019830	BUSHING	3	3	3	3
205	4310A111	PANEL, FRONT	1	1	1	1
206	43172249	PAN, DRAIN	1	1	1	1
207	4310A110	BASE	1	1	1	1
208	4310A112	LEG	2	2	2	2
209	43197190	SCREW, SET	1	1	1	1
210	4314J608	PIPE ASSY, WATER HEAT EXCHANGE	1		1	
211	4314J610	PIPE ASSY, WATER HEAT EXCHANGER		1		1
212	37517876	MARK, TOSHIBA FOR ESTIA	1	1	1	1
213	43194029	BONNET, 15.88	1	1	1	1
214	4314N047	COIL, VALVE, 2WAY	1	1	1	1
215	37551737	SWITCH, FLOW	1		1	
216	37551735	SWITCH, FLOW		1		1
217	43049776	SOCKET, 9.52	1	1	1	1
218	43149355	NUT, FLARE, 9.52	1	1	1	1
219	43F47609	BONNET, 9.52	1	1	1	1
220	43149354	SOCKET, 15.88	1	1	1	1
221	43149352	NUT, FLARE, 15.88	1	1	1	1
222	43147664	STRAINER, ID 9.52	1	1	1	1
223	4314Q114	STRAINER, SCREEN	1	1	1	1
224	37547751	VALVE, CHECKED	1	1	1	1
225	4314N202	BODY, PMV, PAM-B40YGTF-1	1		1	
226	4314N203	BODY, PMV, PAM-B60YGTF-1		1		1
227	4314N205	COIL, PMV, PAM-MD12TF-301	1	1	1	1
228	4314N079	VALVE, 2WAY	1	1	1	1
229	43107215	HOLDER, SENSOR	1	1	1	1
230	43F19904	HOLDER, SENSOR (TS)	4	4	4	4
231	431S8480	OWNER'S MANUAL	1	1		
232	431S8481	OWNER'S MANUAL			1	1

E-Parts



Location No.	Part No.	Description	Q'ty/Set
401	43150424	SENSOR, TC	1
402	43150425	SENSOR, TC	1
403	43150431	SENSOR, TC	1
404	43150430	SENSOR, TC	1
405	43150414	SENSOR, TEMP.	1
406	43160626	TERMINAL BLOCK, 2P, 20A	1
407	43160694	TERMINAL, 4P	1
408	43160695	TERMINAL, 6P	1
409	43158204	TRANSFORMER, TT-13	1
410	4316V735	PC BOARD ASSY, MCC-1744	1
411	43163057	CLAMP, DOWN	1
412	43163058	CLAMP, UP	1