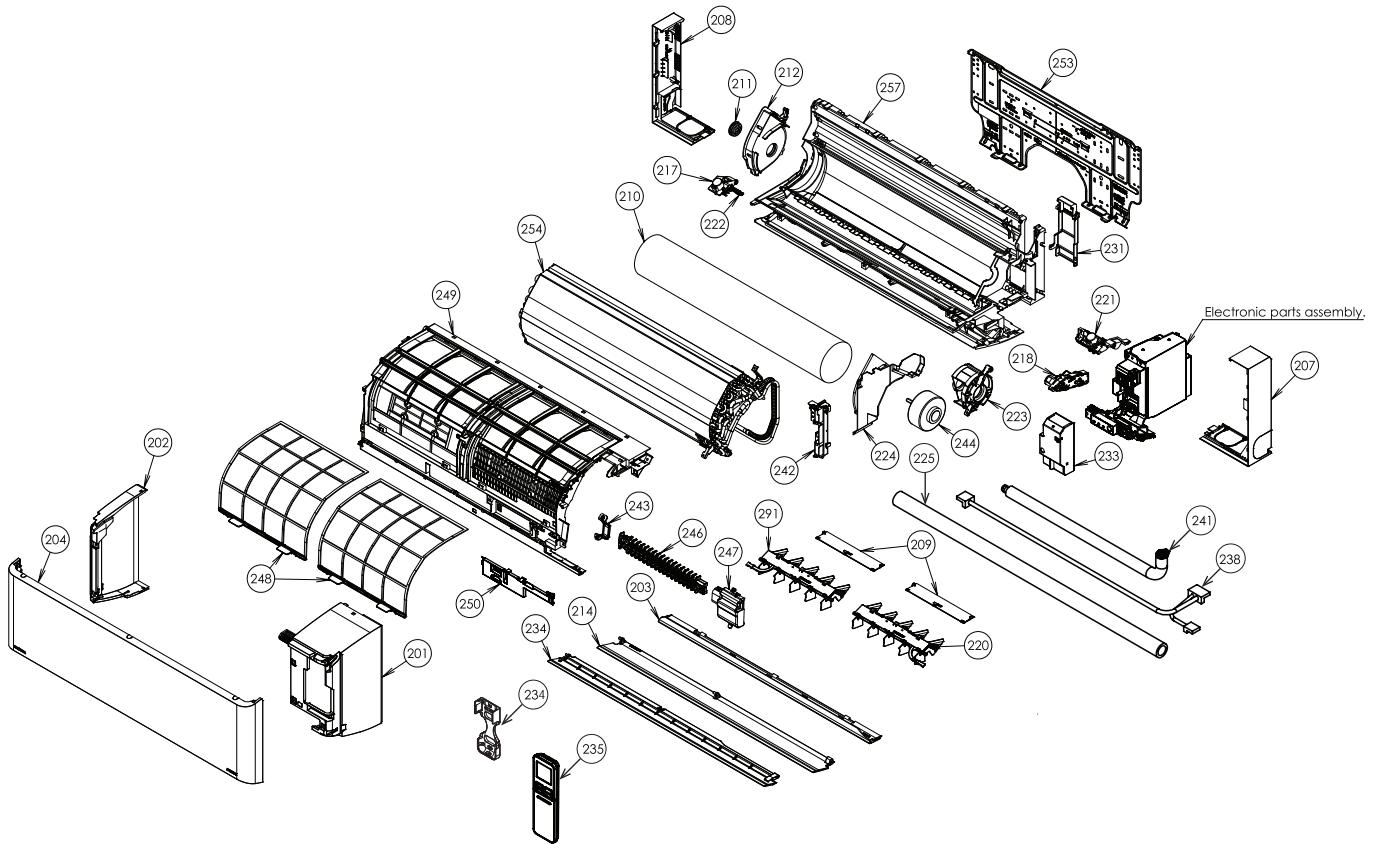


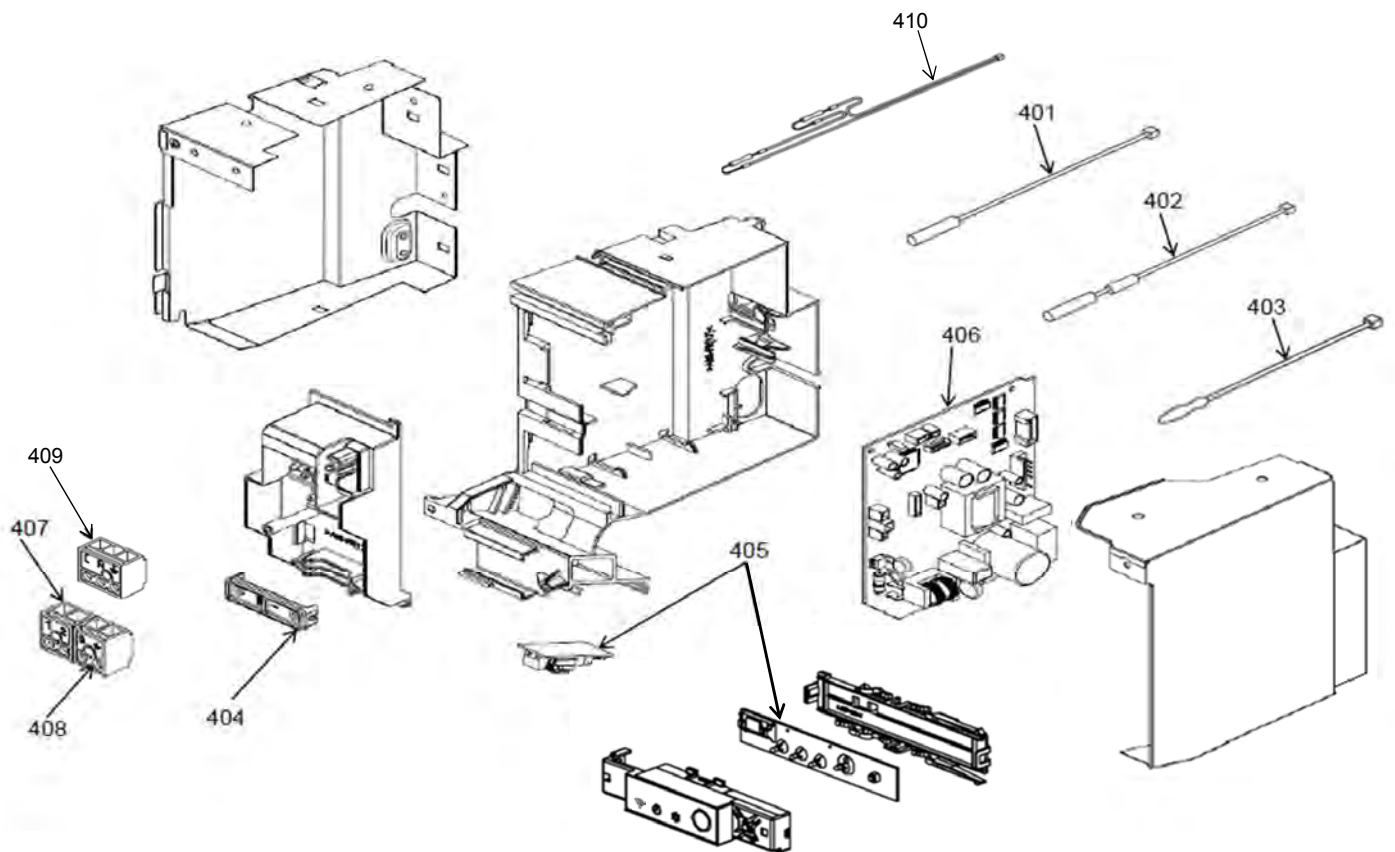
### 13. EXPLODED VIEWS AND PARTS LIST

#### 13-1. Indoor Unit



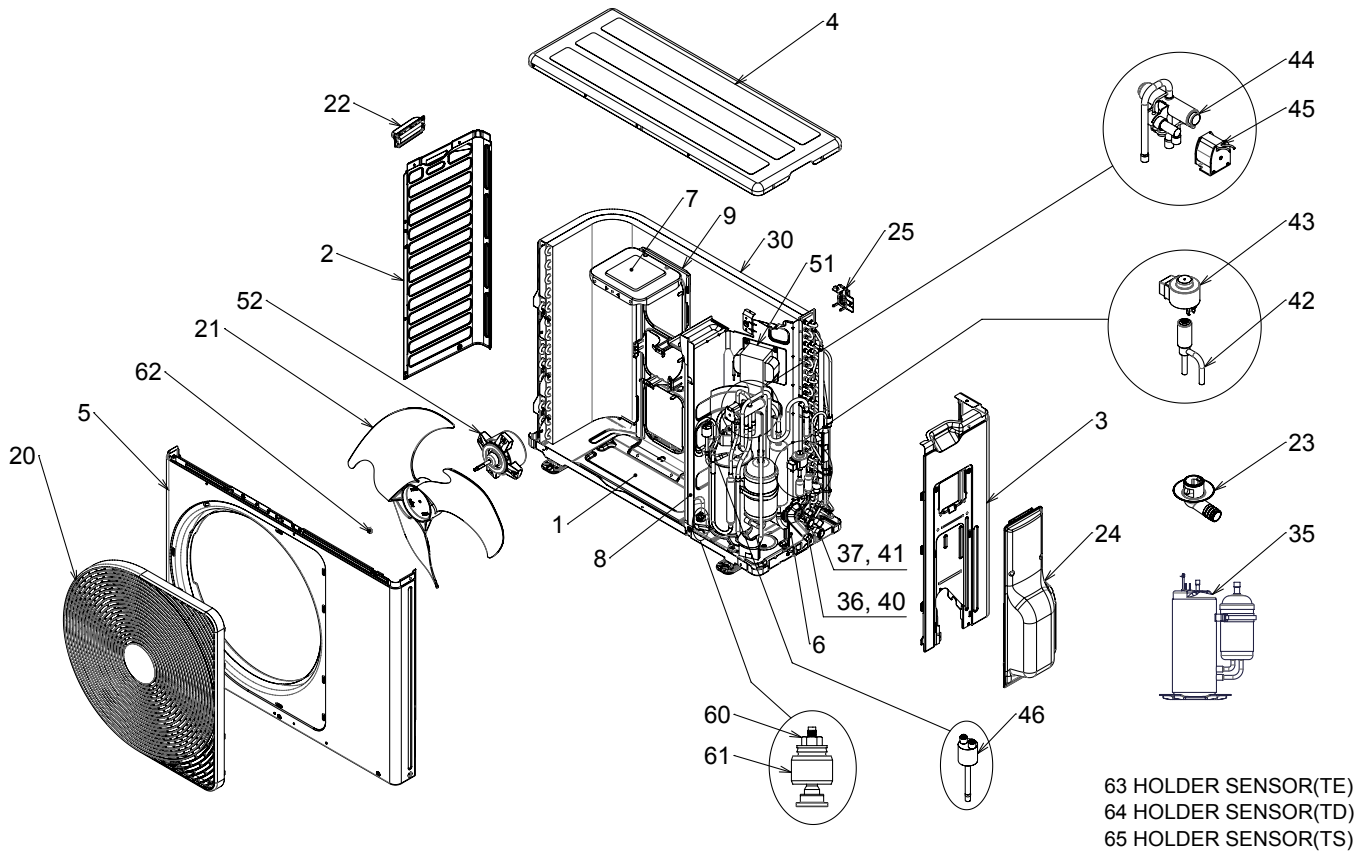
Location No.	Part No.	Description	Location No.	Part No.	Description
201	43T00731	ASM-PANEL(R)-S	225	43T11331	PIPE-SHIELD
202	43T00732	ASM-PANEL(L)-S	231	43049799	HOLDER-PIPE
203	43005871	ASM-PANEL(AOLT)	233	43T62352	ASM-COVER-CONN
204	43T09545	ASM-AINL-S	234	43T83305	HOLDER, REMOTE CONTROL
207	43T02306	ASM-BUSH-BODY(R)	235	43T66376	WIRELESS REMOCO
208	43T02307	ASM-BUSH-BODY(L)	238	4306A194	CORD-MOTOR(LV)
209	43T04351	ASM-BODY-BUSH(DN)	241	43T70314	HOSE-DRAIN
210	43020380	ASM-FAN-CF(CE110)	242	43T63355	ASM-EARTH
211	43022466	ASM-BEAR-MOLD	243	43080658	HOLD-ION
212	43022472	BASE-BEARING	244	43T21421	FAN MOTOR
213	43022473	LOUVER-HR(FR)	246	43T80345	ASM-ION-S
214	43022475	LOUVER-HR(BK)	247	43T80352	ASM-SUP-HP-S
217	4302C106	MOTOR-LOUVER	248	43T80342	FILTER-AIR
218	43T2D301	ASM-SUB-GEAR(LV)-S	249	43T08428	ASM-FRAME-S
219	43T09503	ASM-LOUVER-VT	250	43T08430	ASM-COVER-WIFI
220	43T09504	ASM-LOUVER-VT	252	43082298	PLATE-INST
221	43T2D302	ASM-GEAR(LV)	254	43T44623	ASM-CYCLE-REF(10k,13k)
222	4302D021	ASM-ARM(L)	254	43T44624	ASM-CYCLE-REF(16k)
223	43039404	BAND-MOTOR	257	43T03411	ASM-BODY-BACK
224	43039406	ASM-COV-MOTOR			

**13-2. Indoor Unit (E-Parts Assy)**



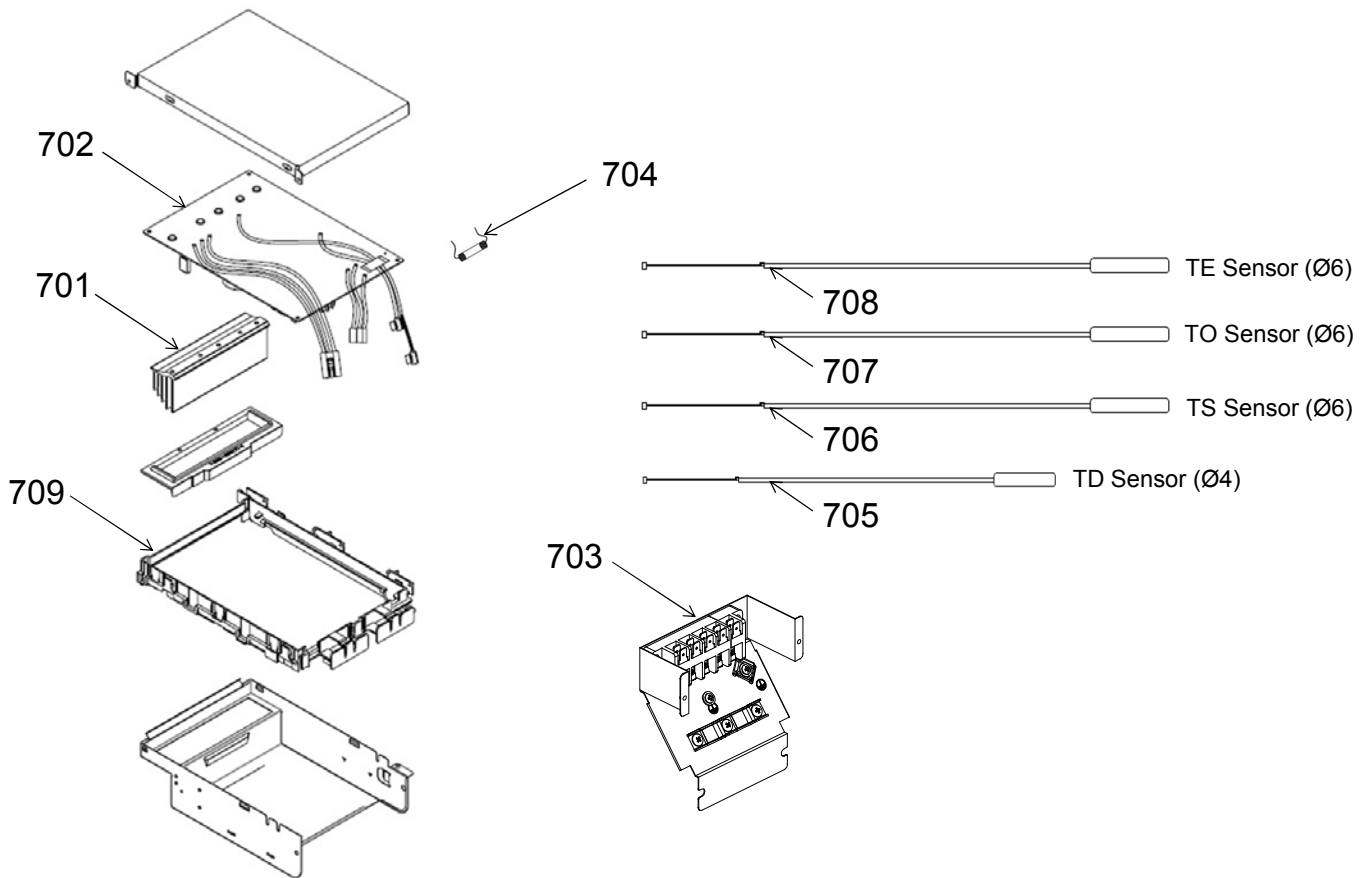
Location No.	Part No.	Description	Location No.	Part No.	Description
401	43T50324	SENSOR; HEAT EXCHANGER	406	43T6W352	PC BOARD (RAS-10PKVPG-NZ)
402	43T50320	SENSOR HEAT EXCHANGER	406	43T6W353	PC BOARD (RAS-13PKVPG-NZ)
403	43T50355	TEMPERATURE SENSOR	406	43T6W354	PC BOARD (RAS-16PKVPG-NZ)
404	43T62340	CORD-CLAMP	407	43T60378	TERMINAL
405	43T6V469	PC BOARD ASSY:WRS-LED	408	43T60417	TERMINAL
406	43T6W349	PC BOARD (RAS-10PKVPG-E)	409	43T60416	TERMINAL
406	43T6W350	PC BOARD (RAS-13PKVPG-E)	410	43T60077	FUSE, TEMPERATURE, 73C
406	43T6W351	PC BOARD (RAS-16PKVPG-E)			

13-3. Outdoor Unit



Location No.	Part No.	Description	Location No.	Part No.	Description
1	43T42345	BASE PLATE ASSEMBLY	40	43T46502	VALVE ; PACKED 6.35 DIA
2	43T00560	LEFT CABINET	41	43T46503	VALVE; PACKED 9.52 DIA (RAS-10,13PAVPG-E,-NZ)
3	43T00719	RIGHT SIDE CABINET ASSEMBLY	41	43T46507	VALVE; PACKED 12.7 DIA (RAS-16PAVPG-E,-NZ)
4	43T00561	UPPER CABINET	42	43T46347	BODY PMV
5	43T00718	FRONT CABINET	43	43T63329	COIL PMV
6	43T00448	FIXING PLATE VALVE	44	43T46375	4 WAY VALVE
7	43T39341	MOTOR BASE CONNECTION PLATE	45	43T63337	4 WAY VALVE COIL ASSEMBLY
8	43T04376	PARTITION ASSEMBLY	46	43T63379	SWITCH, PRESSURE
9	43T39374	MOTOR BASE	51	43T58309	REACTOR
20	43T19371	FAN GUARD	52	43T21375	FAN MOTOR
21	43T20331	PROPELLER FAN	60	43T97001	NUT
22	43T19350	HANDLE	61	43T49335	RUBBER CUSHION
23	43T79305	DRAIN NIPPLE		43T47001	NUT FLANGE
24	43T00691	PACKED VALVE COVER ASSEMBLY	63	43T63318	HOLDER SENSOR
25	43T63319	HOLDER,SENSOR	64	43T63317	HOLDER,SENSOR
30	43T43583	CONDENSER ASSEMBLY	65	43T63316	HOLDER,SENSOR
35	43T41542	COMP-ASSY(RAS-10PAVPG-E,-NZ)	70	43T91336	CARTON-BOX
35	43T41527	COMPRESSOR (RAS-13,16PAVPG-E,-NZ)	71	43T91338	FIBERBOARD UNDER ASSEMBLY
36	43T47403	BONNET, 6.35 DIA	72	43T91337	CUSHION PACKING UPPER
37	43T47404	BONNET, 9.52 DIA (RAS-10,13PAVPG-E,-NZ)	73	43T91301	PE SHEET
37	43T47405	BONNET, 12.7 DIA (RAS-16PAVPG-E,-NZ)			

13-4. P.C. Board Layout



Location No.	Part No.	Description	Location No.	Part No.	Description
701	43T62351	HEATSINK	705	43T50369	TEMPERATURE SENSOR
702	43T6W413	PC BOARD(RAS-10PAVPG-E,-NZ)	706	43T50336	TEMPERATURE SENSOR
702	43T6W414	PC BOARD(RAS-13PAVPG-E,-NZ)	707	43T50370	TEMPERATURE SENSOR
702	43T6W415	PC BOARD(RAS-16PAVPG-E,-NZ)	708	43T50371	TEMPERATURE SENSOR
703	43T60392	TERMINAL-5P	709	43T62313	PC PLATE BASE
704	43T60326	FUSE			