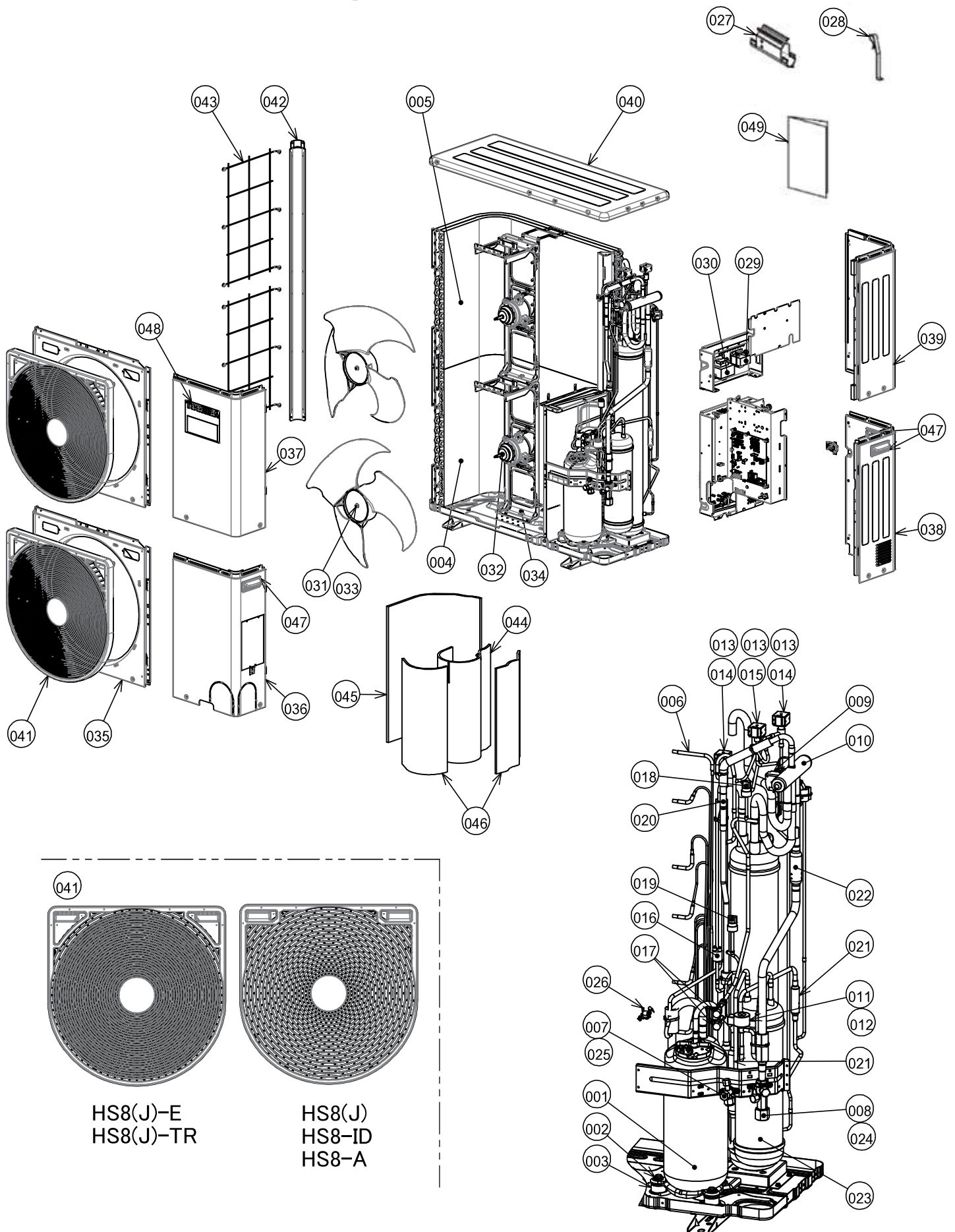


12 Exploded diagram / parts list



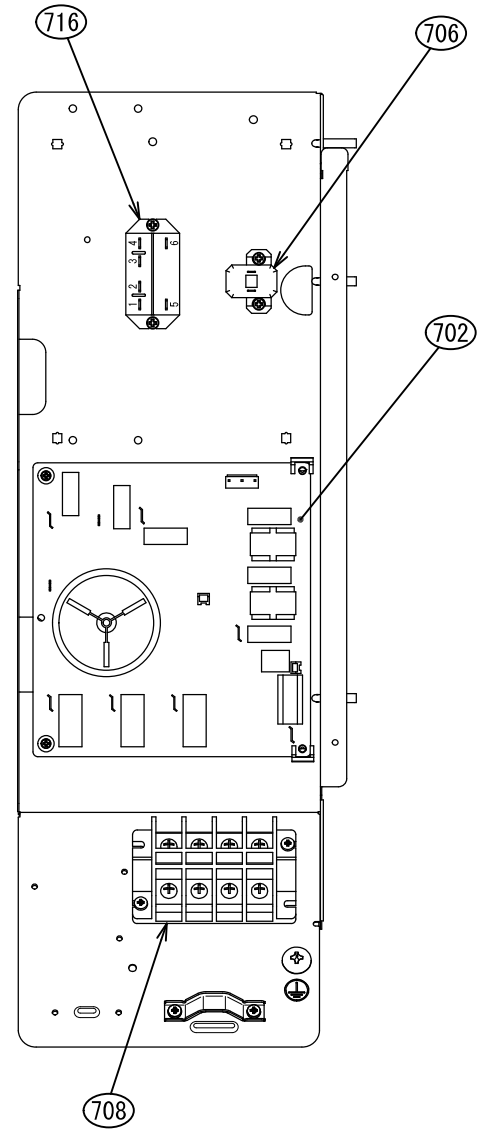
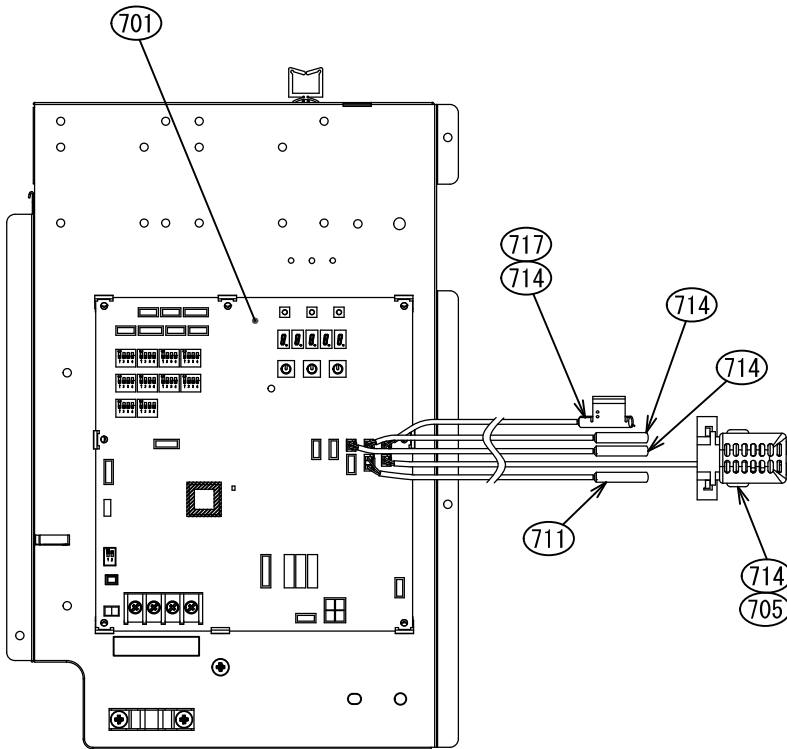
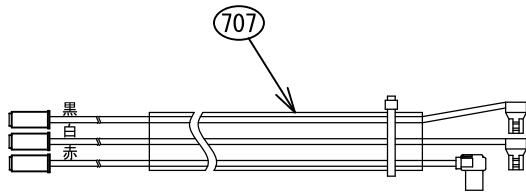
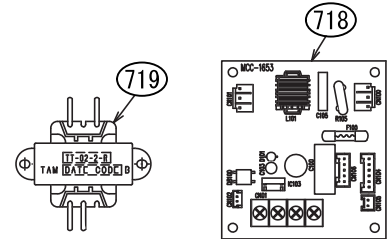
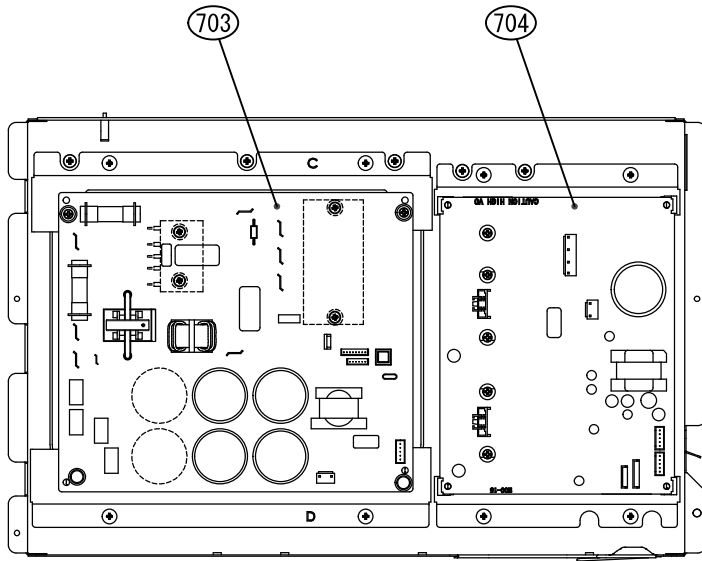
Ref.No.	Part No.	Description	Q'ty/Set MCY-MHP			
			0404HS8-E	0404HS8J-E	0404HS8-TR	0404HS8J-TR
			0504HS8-E	0504HS8J-E	0504HS8-TR	0504HS8J-TR
001	43H41501	COMPRESSOR, RA422A3T-20MD	1	1	1	1
002	43H97003	BOLT, COMPRESSOR	3	3	3	3
003	43H42002	RUBBER, CUSHION	3	3	3	3
004	43H43014	CONDENSER ASSY, LOWER	1	1	1	1
005	43H43015	CONDENSER ASSY, UP	1	1	1	1
006	43H47020	DISTRIBUTOR ASSY	1	1	1	1
007	43H46027	VALVE, PACKED, 9.52DIA	1	1	1	1
008	43H46028	VALVE, BALL, 15.88DIA	1	1	1	1
009	43H46014	COIL, 4WAY	1	1	1	1
010	43H46042	VALVE, 4WAY	1	1	1	1
011	43H46048	COIL, PMV	1	1	1	1
012	43H46049	BODY, PMV	1	1	1	1
013	43H46016	COIL, 2WAY	3	3	3	3
014	43H46017	VALVE, 2WAY, FDF3A06	2	2	2	2
015	43H46018	VALVE, 2WAY, FDF2A88	1	1	1	1
016	43H51001	SWITCH, PRESSURE ACB-4UB32W	1	1	1	1
017	43H46019	JOINT, CHECK	2	2	2	2
018	43151313	SENSOR ASSY, LOW PRESSURE	1	1	1	1
019	43151314	SENSOR ASSY, HIGH PRESSURE	1	1	1	1
020	43H46035	VALVE, CHECK	1	1	1	1
021	43H47003	STRAINER, 19.05DIA	2	2	2	2
022	43H47014	STRAINER, 15.88DIA	1	1	1	1
023	43H48014	TANK	1	1	1	1
024	43H47017	BONNET, 5/8 IN	1	1	1	1
025	43H47016	BONNET, 3/8 IN	1	1	1	1
026	43H50013	THERMOSTAT, COMPRESSOR	1	1	1	1
027	43H63003	HOLDER, SENSOR	1	1	1	1
028	43H19010	HOLDER, SENSOR (TS)	3	3	3	3
029	43H58003	REACTOR, CH-68-FC	1	1	1	1
030	43H58007	REACTOR, CH-79	1	1	1	1
031	43H97006	NUT, FLANGE	2	2	2	2
032	43H21003	MOTOR, FAN, WDF-340-A100-1	2	2	2	2
033	43H20003	FAN, PROPELLER, PN501	2	2	2	2
034	43H22002	BASE, ASSY, MOTOR	2	2	2	2
035	43H00017	PANEL, ASSY, OUT	2	2	2	2
036	43H00018	PANEL, ASSY, FRONT, LOWER	1	1	1	1
037	43H00019	PANEL, ASSY, FRONT UP	1	1	1	1
038	43H02003	PANEL, ASSY, SIDE, LOWER	1	1	1	1
039	43H02004	PANEL, ASSY, SIDE, UP	1	1	1	1
040	43H00020	PANEL, ASSY, TOP	1	1	1	1
041	43H19014	GUARD, FAN	2	2	2	2
042	43H19012	PLATE, STAY	1	1	1	1
043	43H07004	GUARD, FIN, SIDE	2	2	2	2
044	43H11006	INSULATOR, SOUND, INNER	1	1	1	1
045	43H11007	INSULATOR, SOUND, OUTER, LARGE	1	1	1	1
046	43H11008	INSULATOR, SOUND, OUTER, SMALL	2	2	2	2
047	43H07005	HANDLE	3	3	3	3
048	43H15004	MARK, TOSHIBA, MiNi-SMMS	1	1	1	1
049	43H88016	OWNER'S MANUAL, MCY-MHP604HS8-E	1	1		
	43H88017	OWNER'S MANUAL, MCY-MHP604HS8-TR			1	1

Ref.No.	Part No.	Description	Q'ty/Set MCY-MHP			
			0404HS8	0404HS8J	0404HS8-ID	0404HS8-A
			0504HS8	0504HS8J	0504HS8-ID	0504HS8-A
001	43H41501	COMPRESSOR, RA422A3T-20MD	1	1	1	1
002	43H97003	BOLT, COMPRESSOR	3	3	3	3
003	43H42002	RUBBER, CUSHION	3	3	3	3
004	43H43014	CONDENSER ASSY, LOWER	1	1	1	1
005	43H43015	CONDENSER ASSY, UP	1	1	1	1
006	43H47020	DISTRIBUTOR ASSY	1	1	1	1
007	43H46027	VALVE, PACKED, 9.52DIA	1	1	1	1
008	43H46028	VALVE, BALL, 15.88DIA	1	1	1	1
009	43H46014	COIL, 4WAY	1	1	1	1
010	43H46042	VALVE, 4WAY	1	1	1	1
011	43H46048	COIL, PMV	1	1	1	1
012	43H46049	BODY, PMV	1	1	1	1
013	43H46016	COIL, 2WAY	3	3	3	3
014	43H46017	VALVE, 2WAY, FDF3A06	2	2	2	2
015	43H46018	VALVE, 2WAY, FDF2A88	1	1	1	1
016	43H51001	SWITCH, PRESSURE ACB-4UB32W	1	1	1	1
017	43H46019	JOINT, CHECK	2	2	2	2
018	43151313	SENSOR ASSY, LOW PRESSURE	1	1	1	1
019	43151314	SENSOR ASSY, HIGH PRESSURE	1	1	1	1
020	43H46035	VALVE, CHECK	1	1	1	1
021	43H47003	STRAINER, 19.05DIA	2	2	2	2
022	43H47014	STRAINER, 15.88DIA	1	1	1	1
023	43H48014	TANK	1	1	1	1
024	43H47017	BONNET, 5/8 IN	1	1	1	1
025	43H47016	BONNET, 3/8 IN	1	1	1	1
026	43H50013	THERMOSTAT, COMPRESSOR	1	1	1	1
027	43H63003	HOLDER, SENSOR	1	1	1	1
028	43H19010	HOLDER, SENSOR (TS)	3	3	3	3
029	43H58003	REACTOR, CH-68-FC	1	1	1	1
030	43H58007	REACTOR, CH-79	1	1	1	1
031	43H97006	NUT, FLANGE	2	2	2	2
032	43H21003	MOTOR, FAN, WDF-340-A100-1	2	2	2	2
033	43H20003	FAN, PROPELLER, PN501	2	2	2	2
034	43H22002	BASE, ASSY, MOTOR	2	2	2	2
035	43H00017	PANEL, ASSY, OUT	2	2	2	2
036	43H00018	PANEL, ASSY, FRONT, LOWER	1	1	1	1
037	43H00019	PANEL, ASSY, FRONT UP	1	1	1	1
038	43H02003	PANEL, ASSY, SIDE, LOWER	1	1	1	1
039	43H02004	PANEL, ASSY, SIDE, UP	1	1	1	1
040	43H00020	PANEL, ASSY, TOP	1	1	1	1
041	43H19004	GUARD, FAN	2	2	2	2
042	43H19012	PLATE, STAY	1	1	1	1
043	43H07004	GUARD, FIN, SIDE	2	2	2	2
044	43H11006	INSULATOR, SOUND, INNER	1	1	1	1
045	43H11007	INSULATOR, SOUND, OUTER, LARGE	1	1	1	1
046	43H11008	INSULATOR, SOUND, OUTER, SMALL	2	2	2	2
047	43H07005	HANDLE	3	3	3	3
048	43H15004	MARK, TOSHIBA, Mini-SMMS	1	1	1	1
049	43H88018	OWNER'S MANUAL, MCY-MHP604HS8	1	1	1	1

Ref.No.	Part No.	Description	Q'ty/Set MCY-MHP			
			0604HS8-E	0604HS8J-E	0604HS8-TR	0604HS8J-TR
001	43H41501	COMPRESSOR, RA422A3T-20MD	1	1	1	1
002	43H97003	BOLT, COMPRESSOR	3	3	3	3
003	43H42002	RUBBER, CUSHION	3	3	3	3
004	43H43014	CONDENSER ASSY, LOWER	1	1	1	1
005	43H43015	CONDENSER ASSY, UP	1	1	1	1
006	43H47020	DISTRIBUTOR ASSY	1	1	1	1
007	43H46027	VALVE, PACKED, 9.52DIA	1	1	1	1
008	43H46040	VALVE, BALL, 19.05DIA	1	1	1	1
009	43H46014	COIL, 4WAY	1	1	1	1
010	43H46042	VALVE, 4WAY	1	1	1	1
011	43H46048	COIL, PMV	1	1	1	1
012	43H46049	BODY, PMV	1	1	1	1
013	43H46016	COIL, 2WAY	3	3	3	3
014	43H46017	VALVE, 2WAY, FDF3A06	2	2	2	2
015	43H46018	VALVE, 2WAY, FDF2A88	1	1	1	1
016	43H51001	SWITCH, PRESSURE ACB-4UB32W	1	1	1	1
017	43H46019	JOINT, CHECK	2	2	2	2
018	43151313	SENSOR ASSY, LOW PRESSURE	1	1	1	1
019	43151314	SENSOR ASSY, HIGH PRESSURE	1	1	1	1
020	43H46035	VALVE, CHECK	1	1	1	1
021	43H47003	STRAINER, 19.05DIA	2	2	2	2
022	43H47014	STRAINER, 15.88DIA	1	1	1	1
023	43H48014	TANK	1	1	1	1
024	43H49025	BONNET, 3/4 IN	1	1	1	1
025	43H47016	BONNET, 3/8 IN	1	1	1	1
026	43H50013	THERMOSTAT, COMPRESSOR	1	1	1	1
027	43H63003	HOLDER, SENSOR	1	1	1	1
028	43H19010	HOLDER, SENSOR (TS)	3	3	3	3
029	43H58003	REACTOR, CH-68-FC	1	1	1	1
030	43H58007	REACTOR, CH-79	1	1	1	1
031	43H97006	NUT, FLANGE	2	2	2	2
032	43H21003	MOTOR, FAN, WDF-340-A100-1	2	2	2	2
033	43H20003	FAN, PROPELLER, PN501	2	2	2	2
034	43H22002	BASE, ASSY, MOTOR	2	2	2	2
035	43H00017	PANEL, ASSY, OUT	2	2	2	2
036	43H00018	PANEL, ASSY, FRONT, LOWER	1	1	1	1
037	43H00019	PANEL, ASSY, FRONT UP	1	1	1	1
038	43H02003	PANEL, ASSY, SIDE, LOWER	1	1	1	1
039	43H02004	PANEL, ASSY, SIDE, UP	1	1	1	1
040	43H00020	PANEL, ASSY, TOP	1	1	1	1
041	43H19014	GUARD, FAN	2	2	2	2
042	43H19012	PLATE, STAY	1	1	1	1
043	43H07004	GUARD, FIN, SIDE	2	2	2	2
044	43H11006	INSULATOR, SOUND, INNER	1	1	1	1
045	43H11007	INSULATOR, SOUND, OUTER, LARGE	1	1	1	1
046	43H11008	INSULATOR, SOUND, OUTER, SMALL	2	2	2	2
047	43H07005	HANDLE	3	3	3	3
048	43H15004	MARK, TOSHIBA, MiNi-SMMS	1	1	1	1
049	43H88016	OWNER'S MANUAL, MCY-MHP604HS8-E	1	1		
	43H88017	OWNER'S MANUAL, MCY-MHP604HS8-TR			1	1

Ref.No.	Part No.	Description	Q'ty/Set MCY-MHP			
			0604HS8	0604HS8J	0604HS8-ID	0604HS8-A
001	43H41501	COMPRESSOR, RA422A3T-20MD	1	1	1	1
002	43H97003	BOLT, COMPRESSOR	3	3	3	3
003	43H42002	RUBBER, CUSHION	3	3	3	3
004	43H43014	CONDENSER ASSY, LOWER	1	1	1	1
005	43H43015	CONDENSER ASSY, UP	1	1	1	1
006	43H47020	DISTRIBUTOR ASSY	1	1	1	1
007	43H46027	VALVE, PACKED, 9.52DIA	1	1	1	1
008	43H46040	VALVE, BALL, 19.05DIA	1	1	1	1
009	43H46014	COIL, 4WAY	1	1	1	1
010	43H46042	VALVE, 4WAY	1	1	1	1
011	43H46048	COIL, PMV	1	1	1	1
012	43H46049	BODY, PMV	1	1	1	1
013	43H46016	COIL, 2WAY	3	3	3	3
014	43H46017	VALVE, 2WAY, FDF3A06	2	2	2	2
015	43H46018	VALVE, 2WAY, FDF2A88	1	1	1	1
016	43H51001	SWITCH, PRESSURE ACB-4UB32W	1	1	1	1
017	43H46019	JOINT, CHECK	2	2	2	2
018	43151313	SENSOR ASSY, LOW PRESSURE	1	1	1	1
019	43151314	SENSOR ASSY, HIGH PRESSURE	1	1	1	1
020	43H46035	VALVE, CHECK	1	1	1	1
021	43H47003	STRAINER, 19.05DIA	2	2	2	2
022	43H47014	STRAINER, 15.88DIA	1	1	1	1
023	43H48014	TANK	1	1	1	1
024	43H49025	BONNET, 3/4 IN	1	1	1	1
025	43H47016	BONNET, 3/8 IN	1	1	1	1
026	43H50013	THERMOSTAT, COMPRESSOR	1	1	1	1
027	43H63003	HOLDER, SENSOR	1	1	1	1
028	43H19010	HOLDER, SENSOR (TS)	3	3	3	3
029	43H58003	REACTOR, CH-68-FC	1	1	1	1
030	43H58007	REACTOR, CH-79	1	1	1	1
031	43H97006	NUT, FLANGE	2	2	2	2
032	43H21003	MOTOR, FAN, WDF-340-A100-1	2	2	2	2
033	43H20003	FAN, PROPELLER, PN501	2	2	2	2
034	43H22002	BASE, ASSY, MOTOR	2	2	2	2
035	43H00017	PANEL, ASSY, OUT	2	2	2	2
036	43H00018	PANEL, ASSY, FRONT, LOWER	1	1	1	1
037	43H00019	PANEL, ASSY, FRONT UP	1	1	1	1
038	43H02003	PANEL, ASSY, SIDE, LOWER	1	1	1	1
039	43H02004	PANEL, ASSY, SIDE, UP	1	1	1	1
040	43H00020	PANEL, ASSY, TOP	1	1	1	1
041	43H19004	GUARD, FAN	2	2	2	2
042	43H19012	PLATE, STAY	1	1	1	1
043	43H07004	GUARD, FIN, SIDE	2	2	2	2
044	43H11006	INSULATOR, SOUND, INNER	1	1	1	1
045	43H11007	INSULATOR, SOUND, OUTER, LARGE	1	1	1	1
046	43H11008	INSULATOR, SOUND, OUTER, SMALL	2	2	2	2
047	43H07005	HANDLE	3	3	3	3
048	43H15004	MARK, TOSHIBA, MiNi-SMMS	1	1	1	1
049	43H88018	OWNER'S MANUAL, MCY-MHP604HS8	1	1	1	1

Inverter assembly



Ref.No.	Part No.	Description	Q'ty/Set MCY-MHP			
			0404HS8-E	0404HS8J-E	0404HS8-TR	0404HS8J-TR
			0504HS8-E	0504HS8J-E	0504HS8-TR	0504HS8J-TR
			0604HS8-E	0604HS8J-E	0604HS8-TR	0604HS8J-TR
701	43H69027	PC BOARD ASSY, INTERFACE, MCC-1639	1	1	1	1
702	43H69028	PC BOARD ASSY, NOISE-FILTER, MCC-1600	1	1	1	1
703	43H69029	PC BOARD ASSY, COMP-IPDU, MCC-1664	1	1	1	1
704	43H69030	PC BOARD ASSY, FAN-IPDU, MCC-1597	1	1	1	1
705	43H50001	HOLDER SENSOR (TO)	1	1	1	1
706	43H53001	THERMISTOR, PTC	1	1	1	1
707	43H60008	LEAD ASSY, COMPRESSOR	1	1	1	1
708	43H60002	TERMINAL, 4P(AC600V/75A)	1	1	1	1
711	43H50002	SENSOR, TD	1	1	1	1
714	43H50005	SENSOR	4	4	4	4
716	43H52003	REALY,POWER(EL2U)	1	1	1	1
717	43H50026	SENSOR HOLDER (TE)	1	1	1	1

Ref.No.	Part No.	Description	Q'ty/Set MCY-MHP			
			0404HS8	0404HS8J	0404HS8-ID	0404HS8-A
			0504HS8	0504HS8J	0504HS8-ID	0504HS8-A
			0604HS8	0604HS8J	0604HS8-ID	0604HS8-A
701	43H69027	PC BOARD ASSY, INTERFACE, MCC-1639	1	1	1	1
702	43H69028	PC BOARD ASSY, NOISE-FILTER, MCC-1600	1	1	1	
	43H69031					1
703	43H69029	PC BOARD ASSY, COMP-IPDU, MCC-1664	1	1	1	1
704	43H69030	PC BOARD ASSY, FAN-IPDU, MCC-1597	1	1	1	1
705	43H50001	HOLDER SENSOR (TO)	1	1	1	1
706	43H53001	THERMISTOR, PTC	1	1	1	1
707	43H60008	LEAD ASSY, COMPRESSOR	1	1	1	1
708	43H60002	TERMINAL, 4P(AC600V/75A)	1	1	1	1
711	43H50002	SENSOR, TD	1	1	1	1
714	43H50005	SENSOR	4	4	4	4
716	43H52003	REALY,POWER(EL2U)	1	1	1	1
717	43H50026	SENSOR HOLDER (TE)	1	1	1	1
718	4316V537	PC BOARD ASSY, MCC-1653				1
719	43158234	TRANSFORMER, POWER, TT-02				1