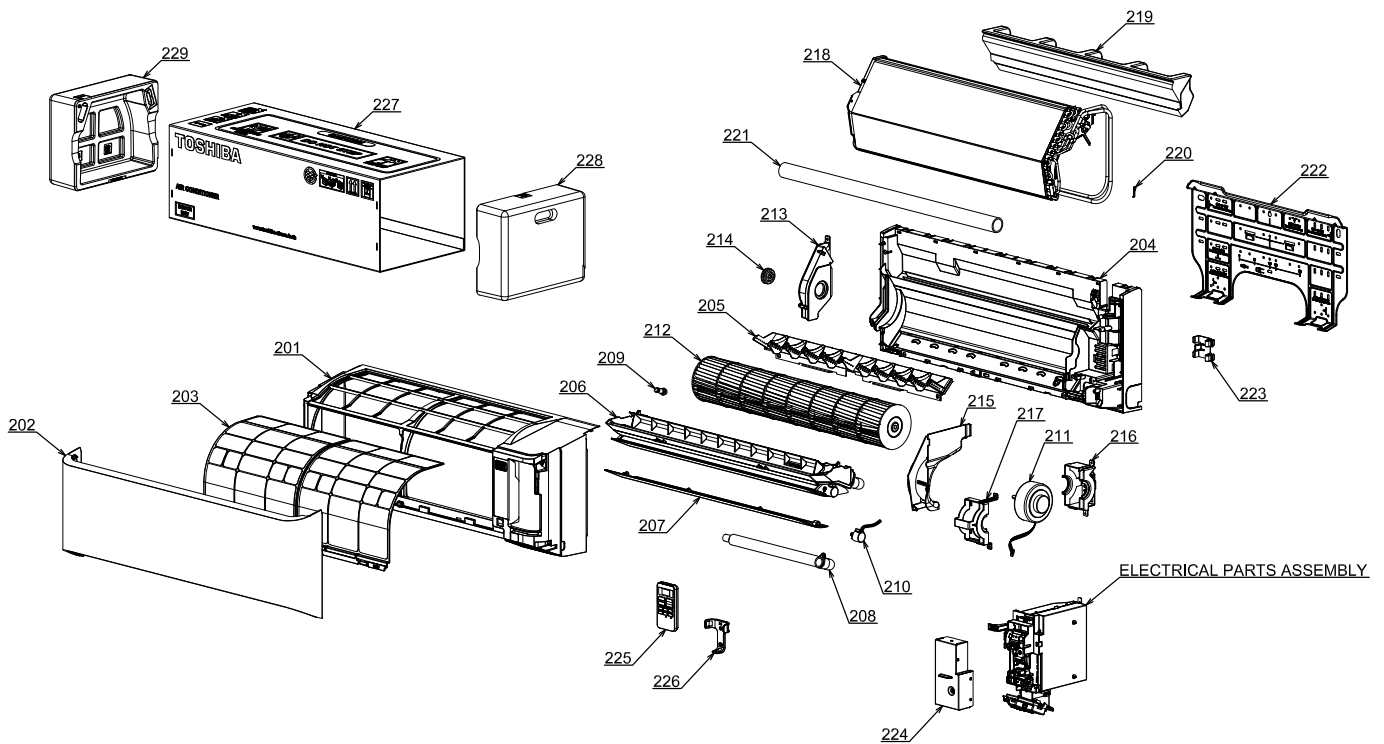


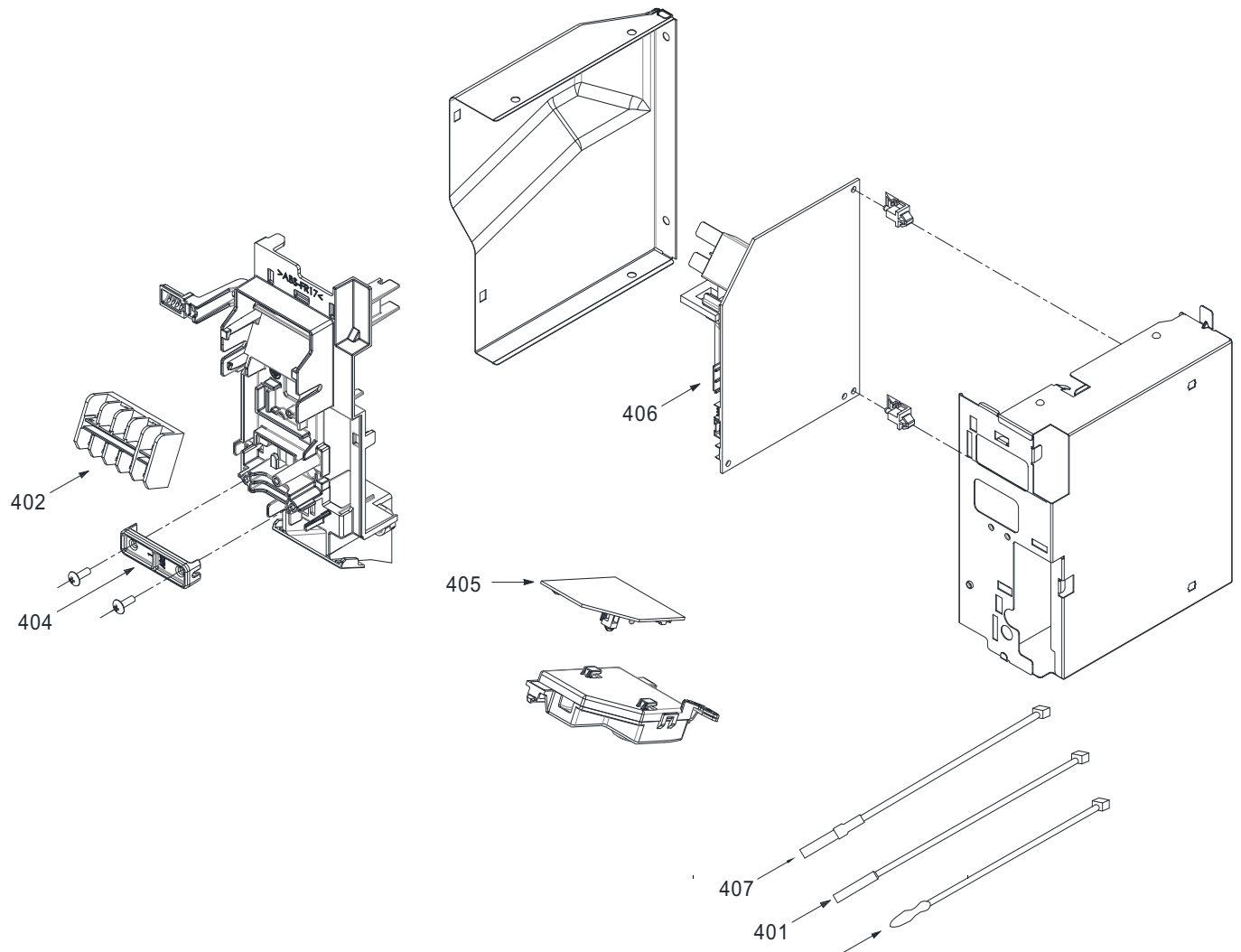
## 13. EXPLODED VIEWS AND PARTS LIST

### 13-1. Indoor Unit



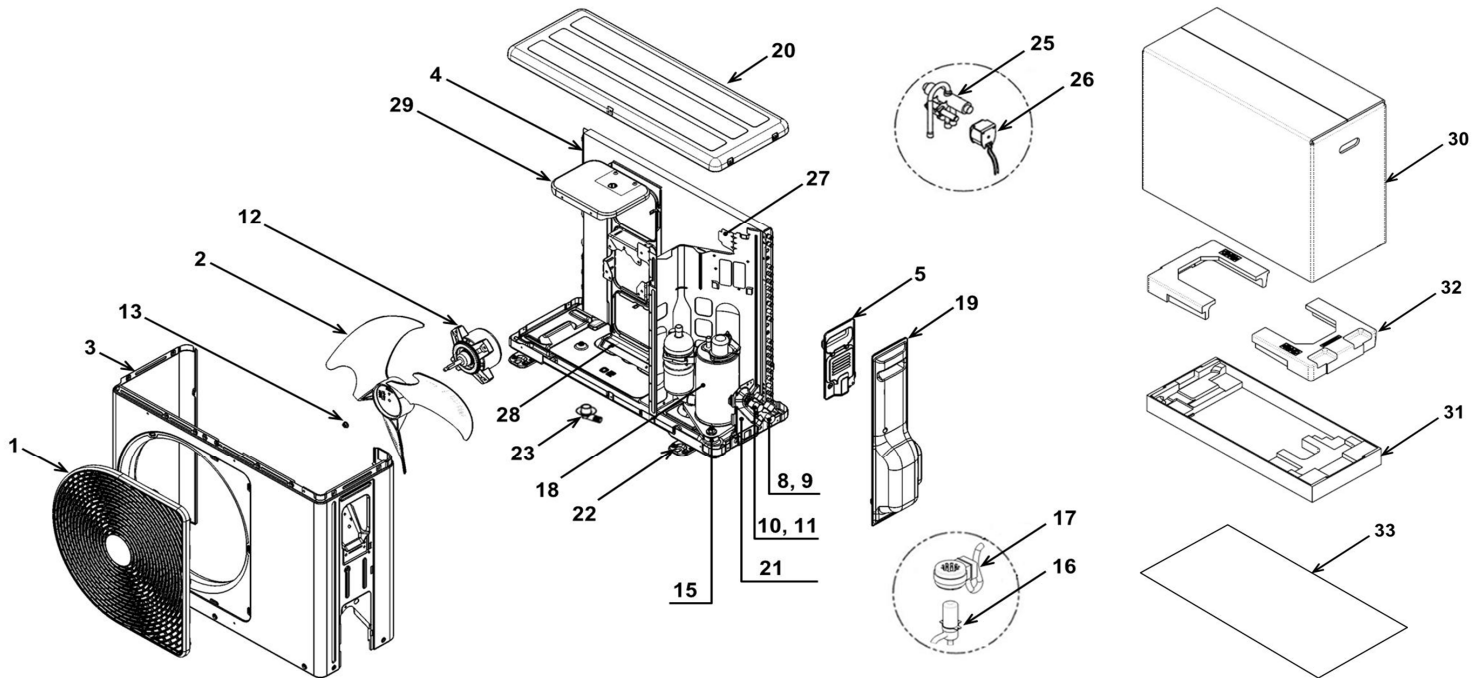
Location No.	Part No.	Description	Location No.	Part No.	Description
201	43T00685	FRONT PANEL ASSY	217	43T39369	MOTOR BAND FRONT (For RAS-B05, 07, 10, 13BKVG-E)
202	43T09520	GRILLE OF AIR INLET ASSY	217	43T39367	MOTOR BAND FRONT (For RAS-B16BKVG-E)
203	43T80349	AIR FILTER	218	43T44604	REFRIGERATION CYCLE ASSY (For RAS-B05, 07BKVG-E)
204	43T03398	BACK BODY ASSY	218	43T44605	REFRIGERATION CYCLE ASSY (For RAS-B10, 13BKVG-E)
205	43T22343	VERTICAL LOUVER ASSY	218	43T44606	REFRIGERATION CYCLE ASSY (For RAS-B16BKVG-E)
206	43T72339	DRAIN PAN ASSY (For RAS-B05, 07, 10, 13BKVG-E)	219	43T39370	EVAPORATOR HINS SEAL (For RAS-B05, 07, 10, 13BKVG-E)
206	43T72340	DRAIN PAN ASSY (For RAS-B16BKVG-E)	220	43T19333	HOLDER, SENSOR
207	43T22345	HORIZONTAL LOUVER	221	43T49359	PIPE, SHIELD
208	43T70321	DRAIN HOSE	222	43T82332	INSTALLATION PLATE
209	43T79322	DRAIN CAP	223	43T49368	PIPE HOLDER
210	43T21461	STEPPING MOTOR	224	43T62360	TERMINAL COVER ASSY
211	43T21478	MOTOR FAN (For RAS-B05, 07, 10, 13BKVG-E)	225	43T6V672	WIRELESS REMOTE CONTROL
211	43T21480	MOTOR FAN(For RAS-B16BKVG-E)	226	43T83310	HOLDER, REMOTE CONTROL
212	43T20344	CROSS FLOW FAN ASSY	227	43T91305	PACKING SLEEVE
213	43T39365	BASE BEARING	228	43T91306	PACKING CUSHION RIGHT
214	43T22312	BEARING ASSY, MOLD	229	43T91307	PACKING CUSHION LEFT
215	43T39364	MOTOR COVER			
216	43T39368	MOTOR BAND BACK (For RAS-B05, 07, 10, 13BKVG-E)			
216	43T39366	MOTOR BAND BACK (For RAS-B16BKVG-E)			

13-2. Indoor Unit (Part-E)



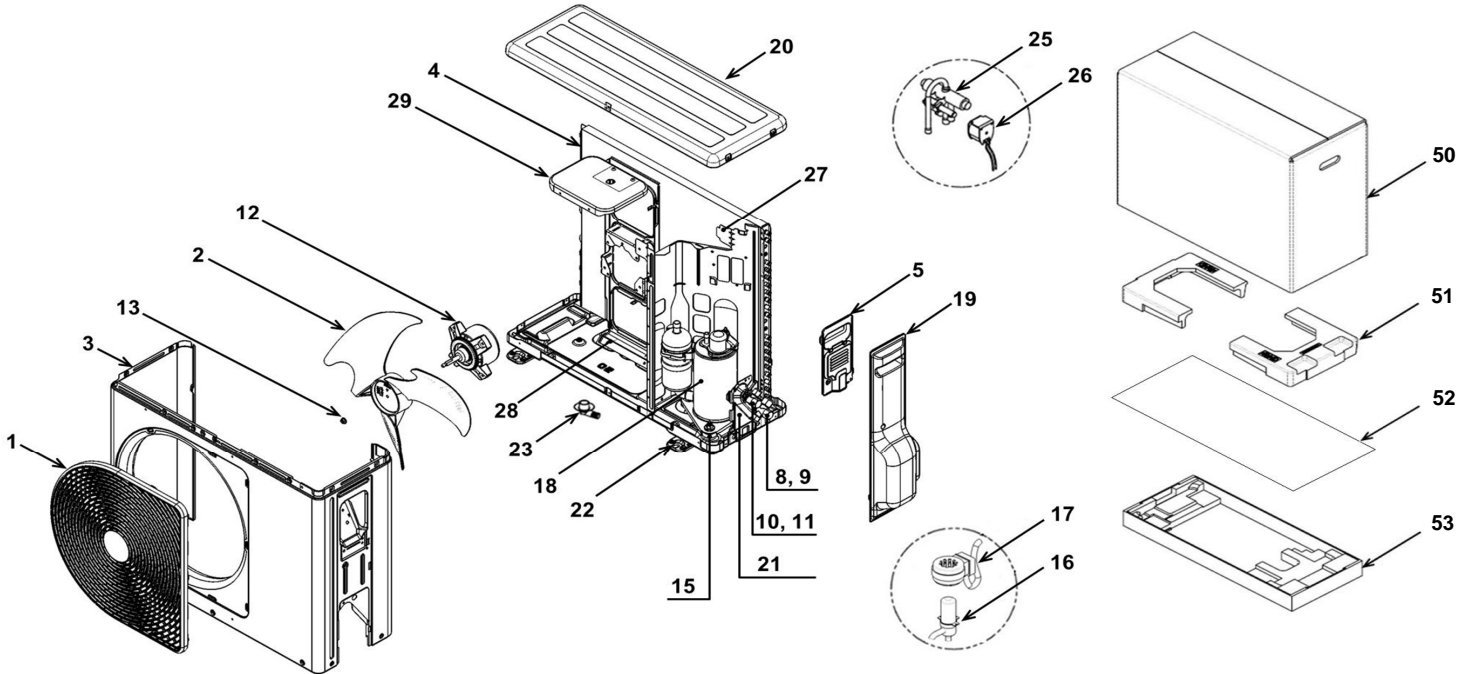
Location No.	Part No.	Description	Location No.	Part No.	Description
401	43T69319	TEMPERATURE SENSOR	406	43T6W315	PC BOARD(FOR RAS-B07BKVG-E)
402	43T6V673	TERMINAL(5P-TF)	406	43T6W316	PC BOARD(FOR RAS-B10BKVG-E)
403	43T6V674	TEMPERATURE SENSOR	406	43T6W317	PC BOARD(FOR RAS-B13BKVG-E)
404	43T62340	CORD-CLAMP	406	43T6W322	PC BOARD(FOR RAS-B16BKVG-E)
405	43T6V681	PC BOARD ASSY:WRS-LED	407	43T50306	TEMPERATURE SENSOR
406	43T6W302	PC BOARD(FOR RAS-B05BKVG-E)			

**13-3. Outdoor Unit**  
**RAS-05, 07BAVG-E**



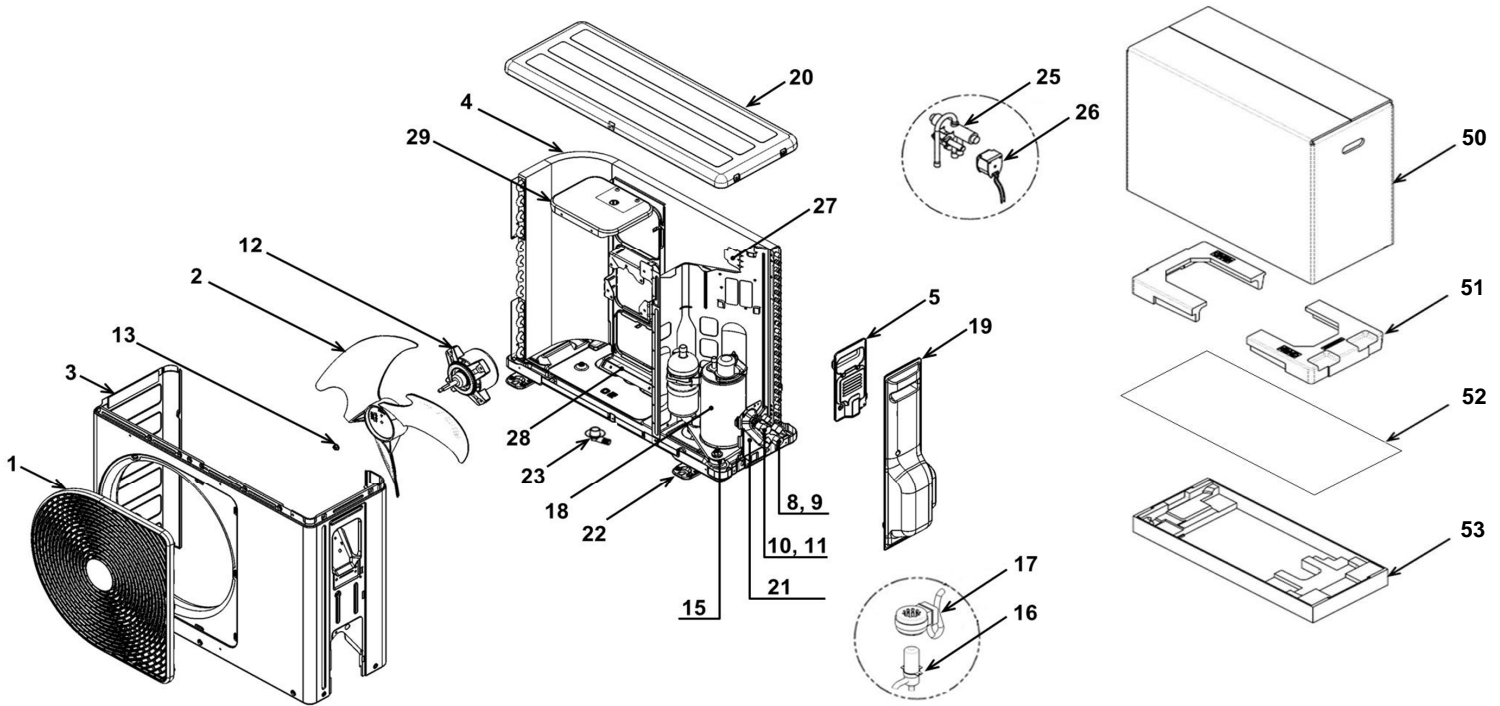
Location No.	Part No.	Description	Location No.	Part No.	Description
1	43T19363	FAN GUARD	19	43T19337	PACKED VALVE COVER
2	43T20324	PROPELLER FAN	20	43T00684	UPPER CABINET ASSEMBLY
3	43T00682	FRONT CABINET ASSEMBLY	21	43T00448	FIXING PLATE VALVE
4	43T43537	CONDENSER ASSEMBLY	22	43T42335	BASE PLATE ASSEMBLY
5	43T62323	TERMINAL COVER	23	43T79305	DRAIN NIPPLE
8	43T46436	VALVE; PACKED 9.52 DIA	25	43T46470	4 WAY VALVE
9	43T47332	BONNET, 9.52 DIA	26	43T63361	4 WAY VALVE COIL
10	43T46435	VALVE; PACKED 6.35 DIA	27	43T04325	PARTITION ASSEMBLY
11	43T47331	BONNET, 6.35 DIA	28	43T39325	MOTOR BASE
12	43T21460	FAN MOTOR	29	43T39334	MOTOR BASE CONNECTION PLATE
13	43T47001	NUT FLANGE	30	43T91310	CARTON BOX
15	43T49327	CUSHION,RUBBER	31	43T91303	ASM-FBBD-UD
16	43T46469	BODY PMV	32	43T91302	CUSHION-PKG-UPR
17	43T63360	COIL PMV	33	43T91301	PE SHEET
18	43T41525	COMPRESSOR			

**13-4. Outdoor Unit**  
**RAS-10BAVG-E1**



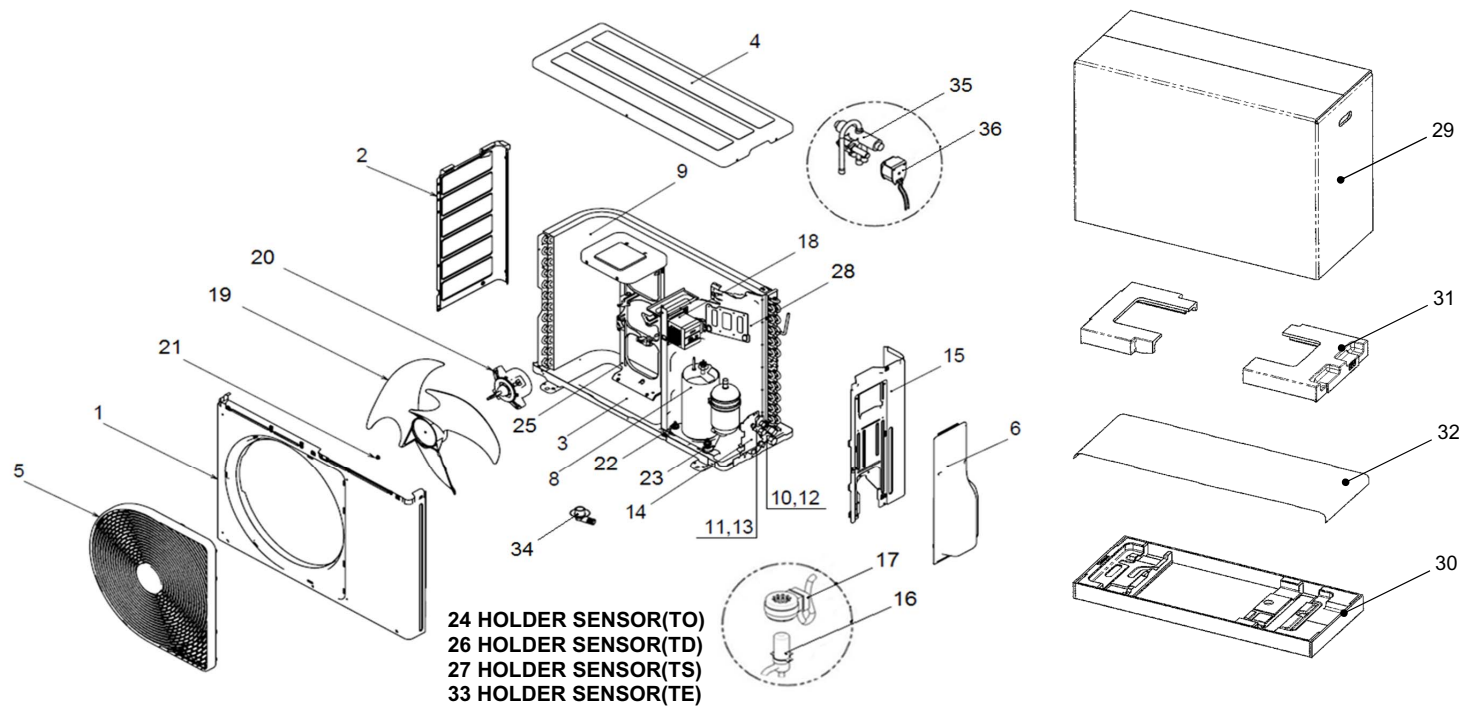
Location No.	Part No.	Description	Location No.	Part No.	Description
1	43T19363	FAN GUARD	19	43T19337	PACKED VALVE COVER
2	43T20324	PROPELLER FAN	20	43T00684	UPPER CABINET ASSEMBLY
3	43T00682	FRONT CABINET ASSEMBLY	21	43T00448	FIXING PLATE VALVE
4	43T43537	CONDENSER ASSEMBLY	22	43T42335	BASE PLATE ASSEMBLY
5	43T62323	TERMINAL COVER	23	43T79305	DRAIN NIPPLE
8	43T46436	VALVE; PACKED 9.52 DIA	25	43T46470	4 WAY VALVE
9	43T47332	BONNET, 9.52 DIA	26	43T63361	4 WAY VALVE COIL
10	43T46435	VALVE; PACKED 6.35 DIA	27	43T04325	PARTITION ASSEMBLY
11	43T47331	BONNET, 6.35 DIA	28	43T39325	MOTOR BASE
12	43T21375	FAN MOTOR	29	43T39334	MOTOR BASE CONNECTION PLATE
13	43T47001	NUT FLANGE	50	43T91310	CARTON BOX
15	43T49327	CUSHION,RUBBER	51	43T91302	CUSHION-PKG-UPR
16	43T46469	BODY PMV	52	43T91301	PE SHEET
17	43T63360	COIL PMV	53	43T91303	ASM-FBBRD-UD
18	43T41525	COMPRESSOR			

**13-5. Outdoor Unit  
RAS-13BAVG-E1**



Location No.	Part No.	Description	Location No.	Part No.	Description
1	43T19363	FAN GUARD	19	43T19337	PACKED VALVE COVER
2	43T20324	PROPELLER FAN	20	43T00684	UPPER CABINET ASSEMBLY
3	43T00683	FRONT CABINET ASSEMBLY	21	43T00448	FIXING PLATE VALVE
4	43T43544	CONDENSER ASSEMBLY	22	43T42335	BASE PLATE ASSEMBLY
5	43T62323	TERMINAL COVER	23	43T79305	DRAIN NIPPLE
8	43T46436	VALVE; PACKED 9.52 DIA	25	43T46470	4 WAY VALVE
9	43T47332	BONNET, 9.52 DIA	26	43T63361	4 WAY VALVE COIL
10	43T46435	VALVE; PACKED 6.35 DIA	27	43T04325	PARTITION ASSEMBLY
11	43T47331	BONNET, 6.35 DIA	28	43T39325	MOTOR BASE
12	43T21375	FAN MOTOR	29	43T39334	MOTOR BASE CONNECTION PLATE
13	43T47001	NUT FLANGE	50	43T91310	CARTON BOX
15	43T49327	CUSHION,RUBBER	51	43T91302	CUSHION-PKG-UPR
16	43T46469	BODY PMV	52	43T91301	PE SHEET
17	43T63360	COIL PMV	53	43T91303	ASM-FBBRD-UD
18	43T41525	COMPRESSOR			

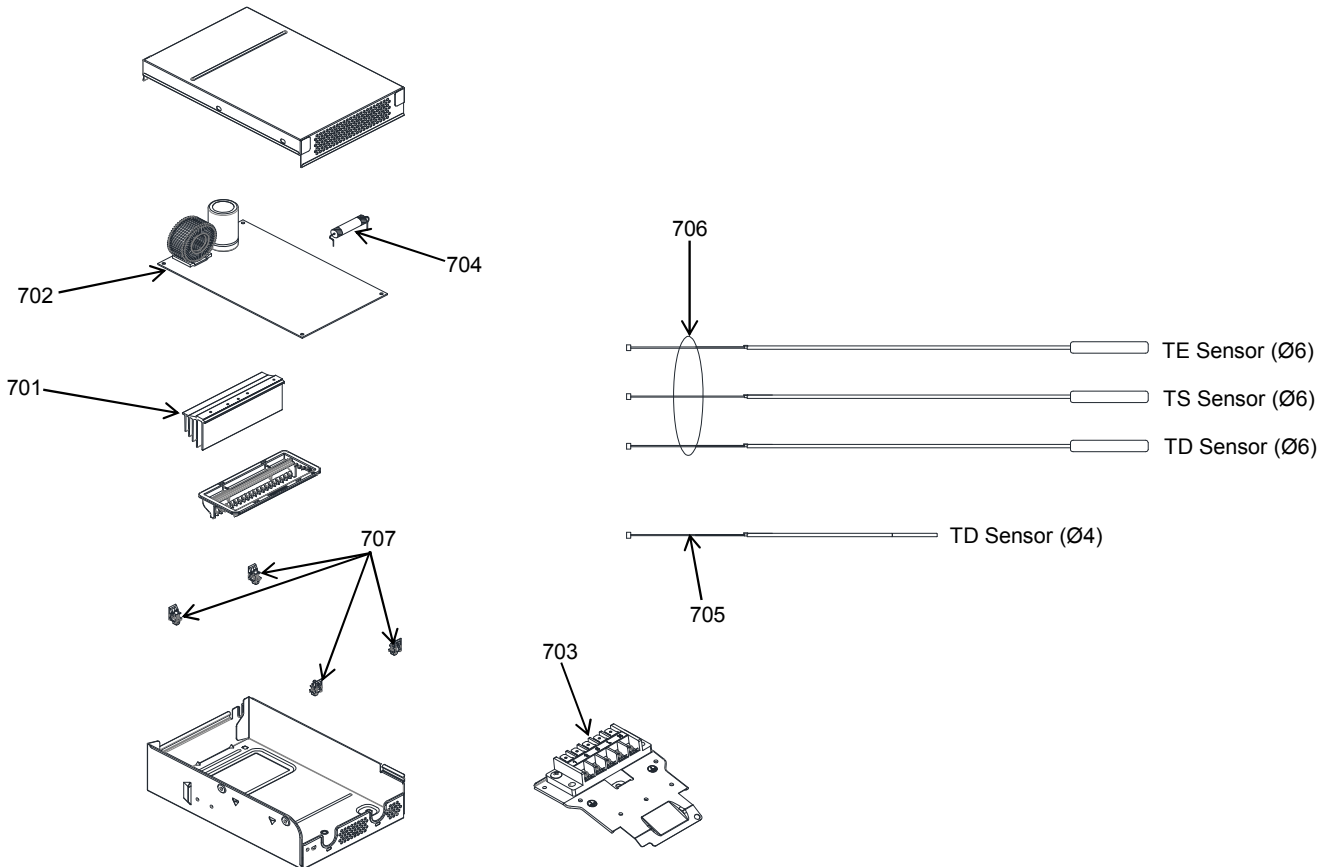
**13-6. Outdoor Unit  
RAS-16BAVG-E**



Location No.	Part No.	Description	Location No.	Part No.	Description
1	43T00688	FRONT CABINET ASSEMBLY	20	43T21460	FAN MOTOR
2	43T00459	LEFT CABINET	21	43T47001	NUT FLANGE
3	43T42327	BASE PLATE ASSEMBLY	22	43T97001	NUT
4	43T00452	UPPER CABINET	23	43T49335	RUBBER CUSHION
5	43T19364	FAN GUARD	24	43T63319	HOLDER,SENSOR
6	43T00691	PACKED VALVE COVER ASSEMBLY	25	43T39333	MOTOR BASE CONNECTION PLATE
8	43T41500	COMPRESSOR	26	43T63317	HOLDER,SENSOR
9	43T43543	CONDENSOR ASSEMBLY	27	43T63316	HOLDER,SENSOR
10	43T46435	VALVE; PACKED 6.35 DIA	28	43T04331	PARTITION ASSEMBLY
11	43T46461	VALVE; PACKED 12.7 DIA	29	43T91312	CARTON BOX
12	43T47331	BONNET, 6.35 DIA	30	43T91309	ASM-FBBD-UD
13	43T47333	BONNET, 12.70 DIA	31	43T91314	CUSHION-PKG-UPR
14	43T00448	FIXING PLATE VALVE	32	43T91301	PE SHEET
15	43T00690	RIGHT CABINET ASSEMBLY	33	43T63318	HOLDER SENSOR
16	43T46469	BODY PMV	34	43T79305	DRAIN NIPPLE
17	43T63360	COIL PMV	35	43T46470	4 WAY VALVE
18	43T58306	REACTOR	36	43T63361	4 WAY VALVE COIL
19	43T20319	PROPELLER FAN			

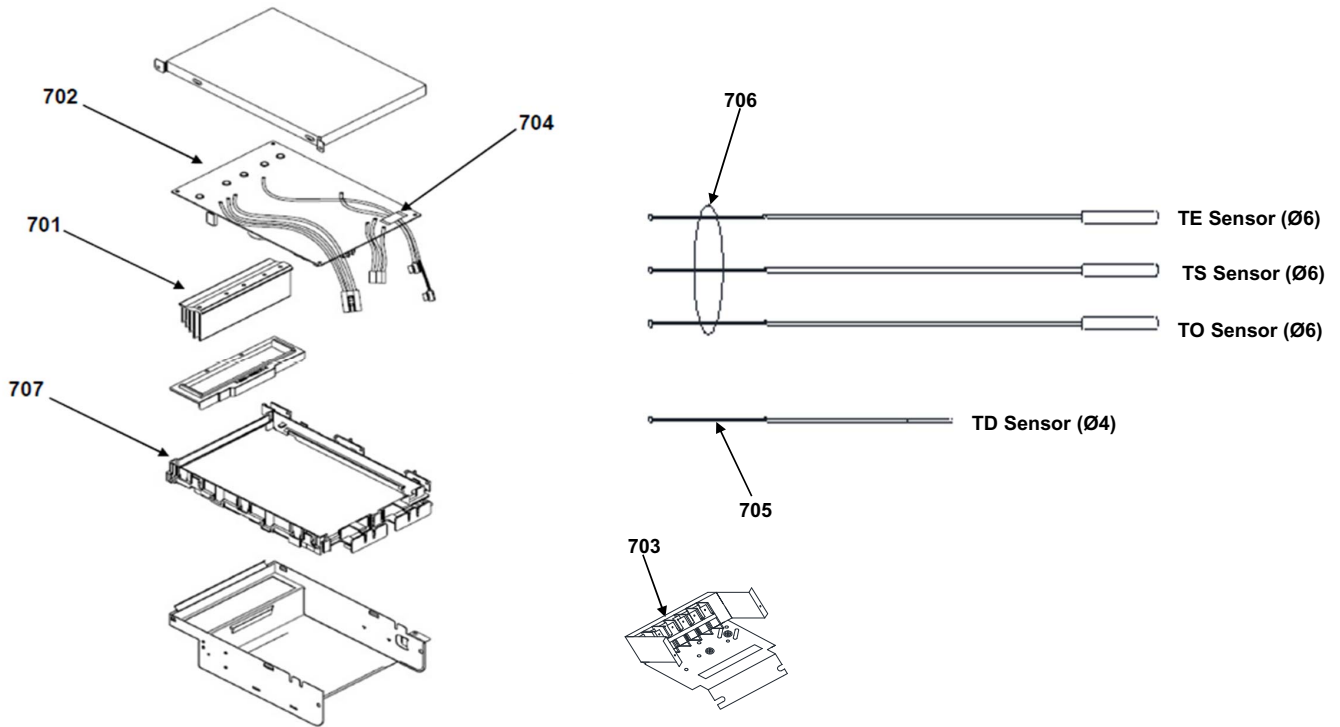
**13-7. Outdoor Unit (Part-E)**

**RAS-05, 07BAVG-E  
RAS-10, 13BAVG-E1**



Location No.	Part No.	Description	Location No.	Part No.	Description
701	43T67306	HEATSINK	704	43T60459	FUSE
702	43T6V748	PC BOARD(FOR RAS-05BAVG-E)	705	43T60465	TEMPERATURE SENSOR
702	43T6V752	PC BOARD(FOR RAS-07BAVG-E)	706	43T50304	SENSOR;HEAT EXCHANGER
702	43T6V911	PC BOARD(FOR RAS-10BAVG-E1)	707	43T95304	SPACER-KGES
702	43T6V912	PC BOARD(FOR RAS-13BAVG-E1)			
703	43T60392	TERMINAL-5P			

**13-8. Outdoor Unit (Part-E)  
RAS-16BAVG-E**



Location No.	Part No.	Description
701	43T62351	HEATSINK
702	43T6V746	PC BOARD
703	43T60392	TERMINAL-5P
704	43T60326	FUSE

Location No.	Part No.	Description
705	43T60465	TEMPERATURE SENSOR
706	43T60304	SENSOR;HEAT EXCHANGER
707	43T62313	BASE-PLATE-PC



**TOSHIBA CARRIER (THAILAND) CO., LTD.**

**144/9 MOO 5, BANGKADI INDUSTRIAL PARK, TIVANON ROAD, TAMBOL BANGKADI,  
AMPHUR MUANG, PATHUMTHANI 12000, THAILAND.**