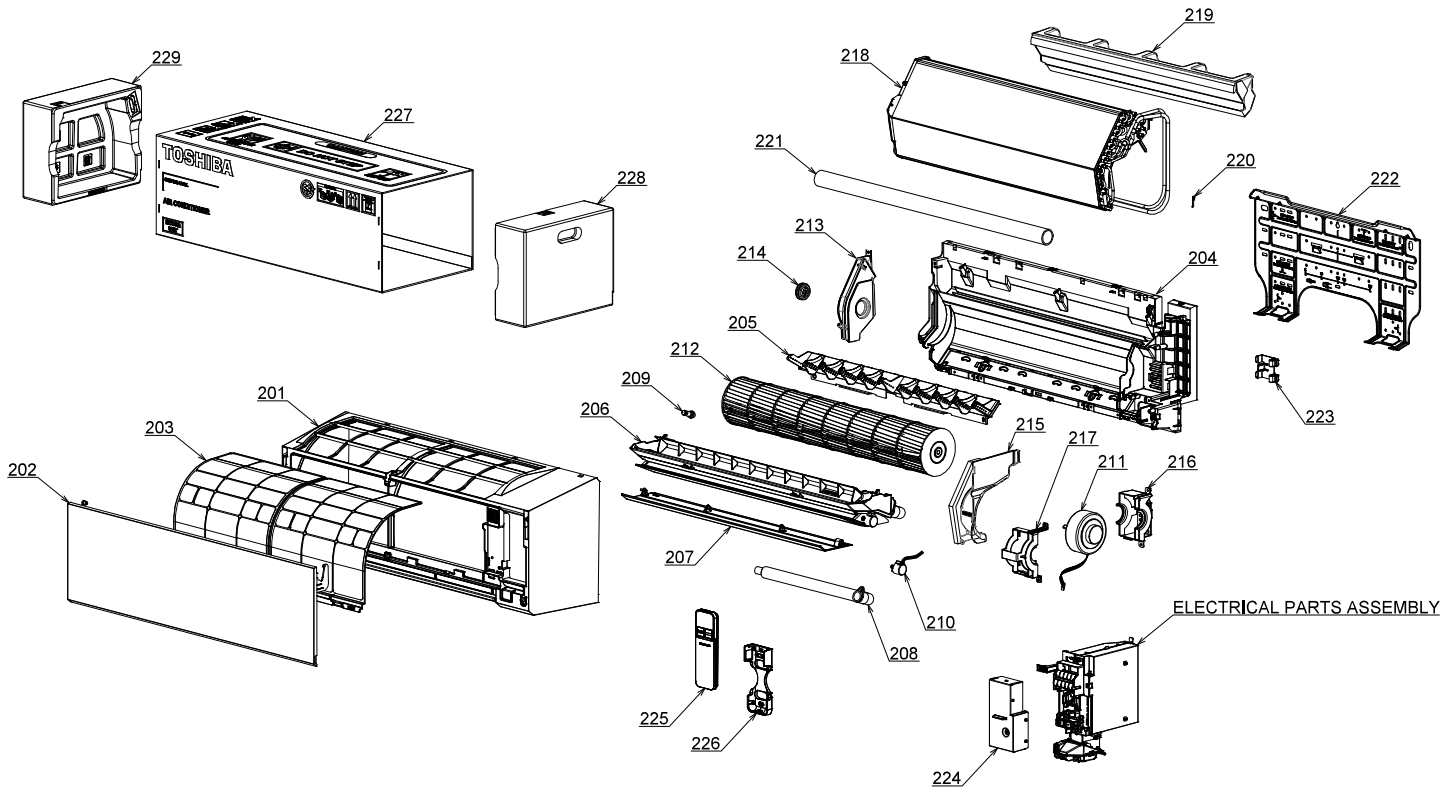


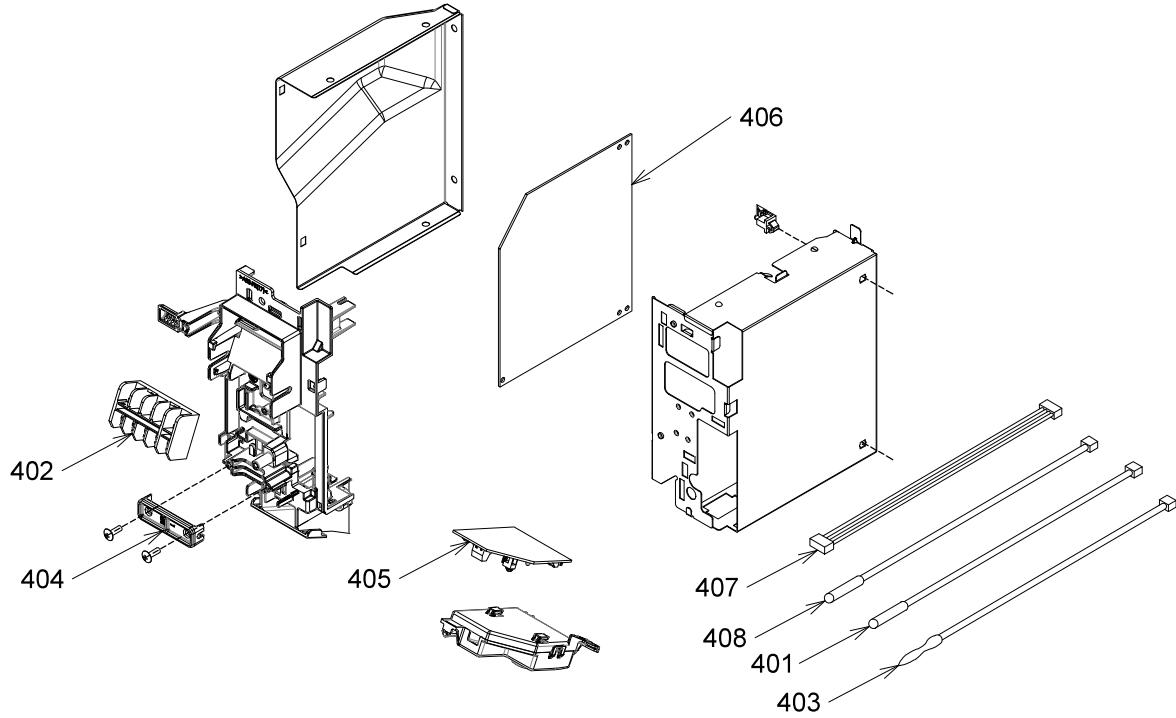
## 13. EXPLODED VIEWS AND PARTS LIST

### 13-1. Indoor Unit



| Location No. | Part No. | Description              | Location No. | Part No. | Description  |
|--------------|----------|--------------------------|--------------|----------|--|
| 201          | 43T00777 | FRONT PANEL ASSY         | 217          | 43T39369 | MOTOR BAND FRONT   |
| 202          | 43T09585 | GRILLE OF AIR INLET ASSY | 218          | 43T44680 | REFRIGERATION CYCLE ASSY<br>(FOR RAS-B07,B10,B13J2KVSG-E)  |
| 203          | 43T80357 | AIR FILTER               |              |          | (FOR RAS-B07,B10,B13N4KVSG-E)                              |
| 204          | 43T03417 | BACK BODY ASSY           | 218          | 43T44681 | REFRIGERATION CYCLE ASSY<br>(FOR RAS-B16J2KVSG-E/N4KVSG-E) |
| 205          | 43T22343 | VERTICAL LOUVER ASSY     | 220          | 43T19333 | HOLDER, SENSOR   |
| 206          | 43T72350 | DRAIN PAN ASSY           | 221          | 43T11321 | PIPE-SHIELD  |
| 207          | 43T22364 | HORIZONTAL LOUVER        | 222          | 43T82332 | INSTALLATION PLATE   |
| 208          | 43T70321 | DRAIN HOSE               | 223          | 43T49368 | PIPE HOLDER  |
| 209          | 43T79322 | DRAIN CAP                | 224          | 43T62360 | TERMINAL COVER ASSY  |
| 210          | 43T21478 | MOTOR; STEPPING          | 225          | 43T66403 | WIRELESS REMOCO  |
| 211          | 43T21495 | FAN-MOTOR                | 226          | 43T83305 | HOLDER, REMOTE CONTROL                                     |
| 212          | 43T20344 | CROSS FLOW FAN ASSY      | 227          | 43T91305 | PACKING SLEEVE   |
| 213          | 43T39365 | BASE BEARING             | 228          | 43T91395 | PACKING CUSHION RIGHT                                      |
| 214          | 43T22312 | BEARING ASSY, MOLD       | 229          | 43T91396 | PACKING CUSHION LEFT                                       |
| 215          | 43T39364 | MOTOR COVER              |              |          |  |
| 216          | 43T39368 | MOTOR BAND BACK          |              |          |  |

## 13-2. Indoor Unit (Part-E)



| Location No. | Part No. | Description                                  |
|--------------|----------|--|
| 401          | 43T50393 | TEMPERATURE SENSOR                           |
| 402          | 43T6V673 | TERMINAL(5P-TF)                              |
| 403          | 43T50392 | SENSOR,THERMOSTAT                            |
| 404          | 43T62340 | CORD-CLAMP                                   |
| 405          | 43T6W727 | PC BOARD ASSY : WRS-LED                      |
| 406          | 43T6W713 | PC BOARD ASSY (FOR RAS-B07J2KVSG-E/N4KVSG-E) |

| Location No. | Part No. | Description                                  |
|--------------|----------|--|
| 406          | 43T6W715 | PC BOARD ASSY (FOR RAS-B10J2KVSG-E/N4KVSG-E) |
| 406          | 43T6W717 | PC BOARD ASSY (FOR RAS-B13J2KVSG-E/N4KVSG-E) |
| 406          | 43T6W719 | PC BOARD ASSY (FOR RAS-B16J2KVSG-E/N4KVSG-E) |
| 407          | 43T60502 | HOUSING-WIFI                                 |
| 408          | 43T50306 | TEMPERATURE SENSOR                           |