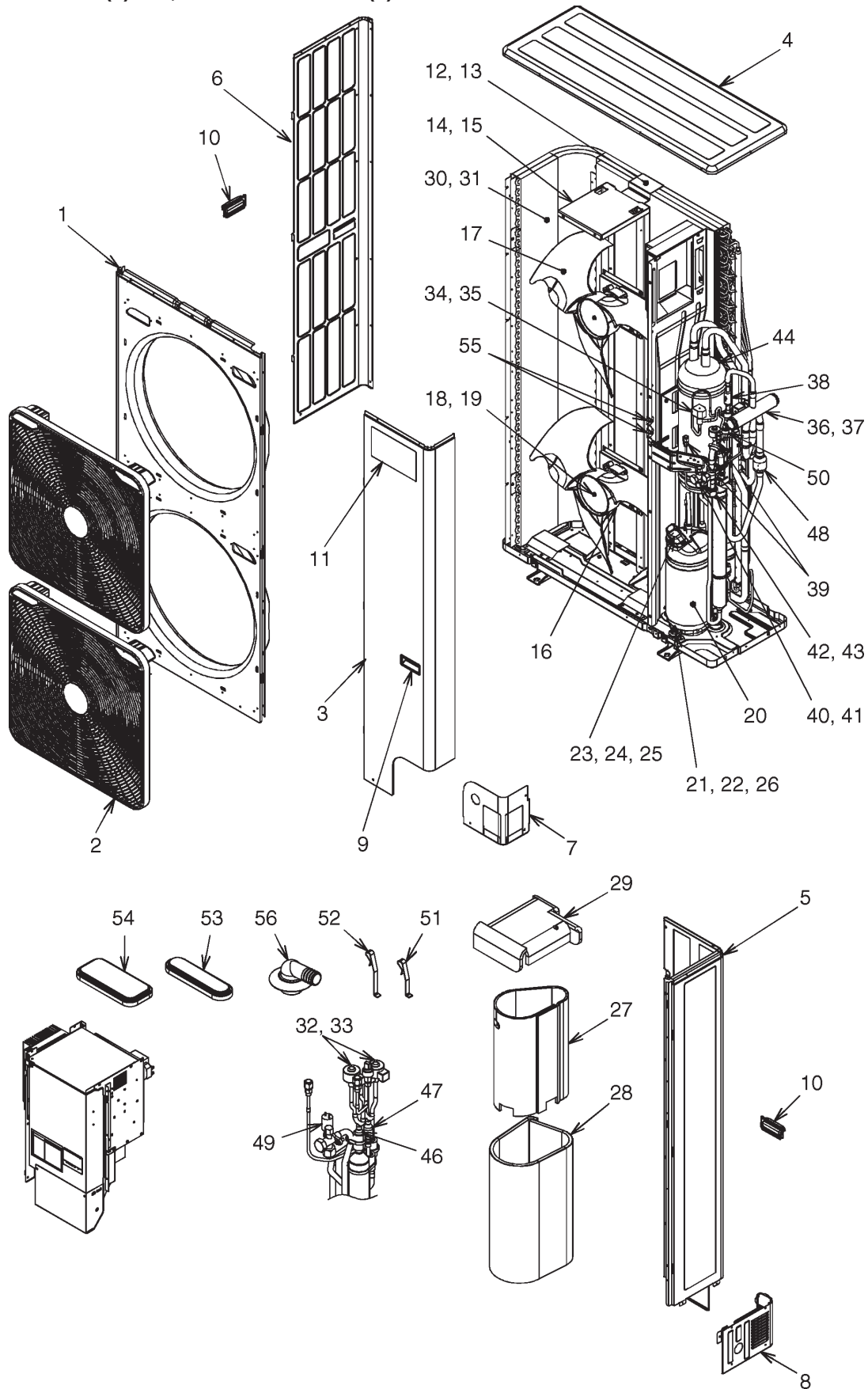


# 14. EXPLODED VIEWS AND PARTS LIST

## 14-1. Outdoor Unit

RAV-GM2241AT8(J)-E, RAV-GM2801AT8(J)-E,  
RAV-GM2241AT8(J)-TR, RAV-GM2801AT8(J)-TR

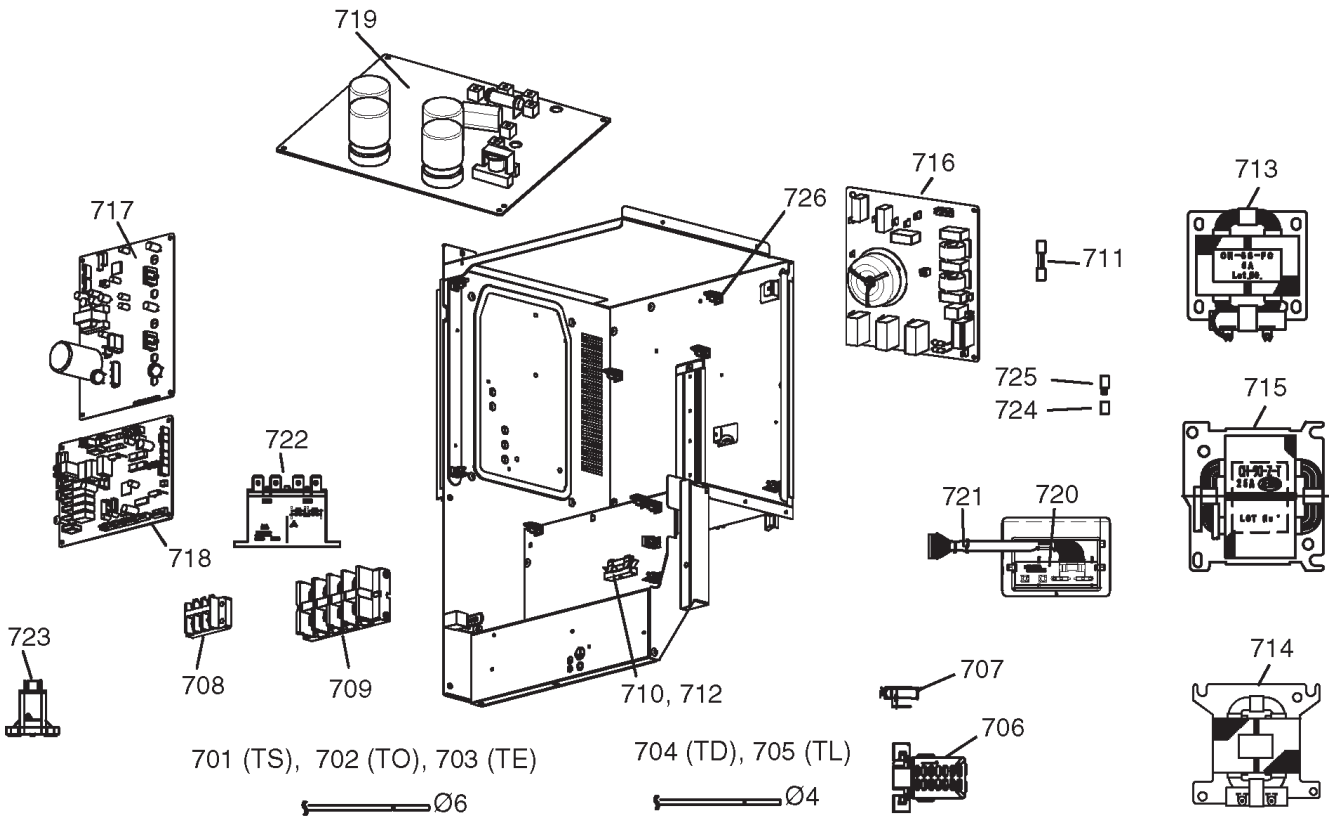


Location No.	Part No.	Description	Q'ty/Set RAV-GM			
			2241 AT8-E	2801 AT8-E	2241 AT8J-E	2801 AT8J-E
1	4310A114	PANEL, AIR OUTLET	1	1	1	1
2	43109437	GUARD, FAN	2	2	2	2
3	4310A116	PANEL, FRONT	1	1	1	1
4	4310A117	PANEL, ROOF	1	1	1	1
5	4310A126	PANEL, SIDE	1	1	1	1
6	4310A127	PANEL, SIDE, LEFT	1	1	1	1
7	43100437	PANEL, FRONT, PIPING	1	1	1	1
8	4310A115	PANEL, BACK, PIPING	1	1	1	1
9	43107276	HANGER	1	1	1	1
10	43107295	HADLE, HANGER	2	2	2	2
11	4311M691	MARK, TOSHIBA	1	1	1	1
12	43122160	PLATE	1	1		
13	43122161	PLATE			1	1
14	43122162	SUPPORTER, MOTOR	1	1		
15	43122163	SUPPORTER, MOTOR			1	1
16	4312C149	MOTOR, FAN, ICF-340-A200-1	2	2	2	2
17	43120270	FAN, PROPELLER, PS561	2	2	2	2
18	43F47669	NUT, FLANGE	2	2		
19	43197164	NUT, FLANGE			2	2
20	43141630	COMPRESSOR, RX640A3F-21M	1	1	1	1
21	43F97212	NUT	3	3		
22	43197174	NUT, COMP			3	3
23	43160658	LEAD ASSY, COMPRESSOR	1	1	1	1
24	43F50407	THERMOSTA, BIMETAL	1	1	1	1
25	43F63317	HOLDER, THERMOSTAT	1	1	1	1
26	43149324	RUBBER, CUSHION	3	3	3	3
27	43111370	INSULATOR, SOUND, IN	1	1	1	1
28	43111371	INSULATOR, SOUND, OUT	1	1	1	1
29	43111372	INSULATOR, SOUND, UP	1	1	1	1
30	4314G333	CONDENSER ASSY	1	1		
31	4314G335	CONDENSER ASSY			1	1
32	4314N128	VALVE, PLUS, MODULATING	2	2	2	2
33	4314N153	COIL, PMV	2	2	2	2
34	43146700	VALVE, 2-WAY, VPV-603D	1	1	1	1
35	4314N038	COIL, SOLENOID, VPV-MOAJ510B0	1	1	1	1
36	4314N078	VALVE, 4WAY, STF-H0731	1	1	1	1
37	4314N080	COIL, SOLENOID, STF-H01AJ1736A1	1	1	1	1
38	4314N115	VALVE, CHECK	1	1	1	1
39	4314N077	JOINT, CHECK	2	2	2	2
40	4314N094	VALVE, PACKED, 1/2 IN	1	1	1	1
41	43147195	BONNET, 1/2 IN	1	1	1	1
42	43146725	VALVE, BALL, SBV-JA6GTC-1	1	1	1	1
43	43147451	BONNET, 3/4 IN	1	1	1	1
44	43148298	ACCUMULATOR	1	1	1	1
46	4314Q123	STRAINER	1	1	1	1
47	4314Q124	STRAINER	1	1	1	1
48	4314Q004	STRAINER	1	1	1	1
49	43151301	SWITCH, PRESSURE, ACB-4UB83W	1	1	1	1
50	43151313	SENSOR ASSY, LOW PRESSURE, NSK-BC010F-067	1	1	1	1
51	43F19822	HOLDER, SENSOR	2	2	2	2
52	43F19904	HOLDER, SENSOR (TS)	1	1	1	1
53	43F89160	CAP, WATERPROOF	1	1	1	1
54	43179165	CAP, WATERPROOF	4	4	4	4
55	43196113	BUSHING	2	2	2	2
56	43F32441	NIPPLE, DRAIN	1	1	1	1

Location No.	Part No.	Description	Q'ty/Set RAV-GM			
			2241 AT8-TR	2801 AT8-TR	2241 AT8J-TR	2801 AT8J-TR
1	4310A114	PANEL, AIR OUTLET	1	1	1	1
2	43109437	GUARD, FAN	2	2	2	2
3	4310A116	PANEL, FRONT	1	1	1	1
4	4310A117	PANEL, ROOF	1	1	1	1
5	4310A126	PANEL, SIDE	1	1	1	1
6	4310A127	PANEL, SIDE, LEFT	1	1	1	1
7	43100437	PANEL, FRONT, PIPING	1	1	1	1
8	4310A115	PANEL, BACK, PIPING	1	1	1	1
9	43107276	HANGER	1	1	1	1
10	43107295	HADLE, HANGER	2	2	2	2
11	4311M691	MARK, TOSHIBA	1	1	1	1
12	43122160	PLATE	1	1		
13	43122161	PLATE			1	1
14	43122162	SUPPORTER, MOTOR	1	1		
15	43122163	SUPPORTER, MOTOR			1	1
16	4312C149	MOTOR, FAN, ICF-340-A200-1	2	2	2	2
17	43120270	FAN, PROPELLER, PS561	2	2	2	2
18	43F47669	NUT, FLANGE	2	2		
19	43197164	NUT, FLANGE			2	2
20	43141630	COMPRESSOR, RX640A3F-21M	1	1	1	1
21	43F97212	NUT	3	3		
22	43197174	NUT, COMP			3	3
23	43160658	LEAD ASSY, COMPRESSOR	1	1	1	1
24	43F50407	THERMOSTA, BIMETAL	1	1	1	1
25	43F63317	HOLDER, THERMOSTAT	1	1	1	1
26	43149324	RUBBER, CUSHION	3	3	3	3
27	43111370	INSULATOR, SOUND, IN	1	1	1	1
28	43111371	INSULATOR, SOUND, OUT	1	1	1	1
29	43111372	INSULATOR, SOUND, UP	1	1	1	1
30	4314G333	CONDENSER ASSY	1	1		
31	4314G335	CONDENSER ASSY			1	1
32	4314N128	VALVE, PLUS, MODULATING	2	2	2	2
33	4314N153	COIL, PMV	2	2	2	2
34	43146700	VALVE, 2-WAY, VPV-603D	1	1	1	1
35	4314N038	COIL, SOLENOID, VPV-MOAJ510B0	1	1	1	1
36	4314N078	VALVE, 4WAY, STF-H0731	1	1	1	1
37	4314N080	COIL, SOLENOID, STF-H01AJ1736A1	1	1	1	1
38	4314N115	VALVE, CHECK	1	1	1	1
39	4314N077	JOINT, CHECK	2	2	2	2
40	4314N094	VALVE, PACKED, 1/2 IN	1	1	1	1
41	43147195	BONNET, 1/2 IN	1	1	1	1
42	43146725	VALVE, BALL, SBV-JA6GTC-1	1	1	1	1
43	43147451	BONNET, 3/4 IN	1	1	1	1
44	43148298	ACCUMULATOR	1	1	1	1
46	4314Q123	STRAINER	1	1	1	1
47	4314Q124	STRAINER	1	1	1	1
48	4314Q004	STRAINER	1	1	1	1
49	43151301	SWITCH, PRESSURE, ACB-4UB83W	1	1	1	1
50	43151313	SENSOR ASSY, LOW PRESSURE, NSK-BC010F-067	1	1	1	1
51	43F19822	HOLDER, SENSOR	2	2	2	2
52	43F19904	HOLDER, SENSOR (TS)	1	1	1	1
53	43F89160	CAP, WATERPROOF	1	1	1	1
54	43179165	CAP, WATERPROOF	4	4	4	4
55	43196113	BUSHING	2	2	2	2
56	43F32441	NIPPLE, DRAIN	1	1	1	1

## 14-2. Inverter Assembly

RAV-GM2241AT8(J)-E, RAV-GM2801AT8(J)-E,  
RAV-GM2241AT8(J)-TR, RAV-GM2801AT8(J)-TR



Location No.	Part No.	Description	Q'ty/Set
			RAV-GM2241AT8(J)-E, GM2801AT8(J)-E RAV-GM2241AT8(J)-TR, GM2801AT8(J)-TR
701	43150360	SENSOR ASSY, SERVICE, TS	1
702	43150373	SENSOR ASSY, SERVICE, TO	1
703	43150376	SENSOR ASSY, SERVICE, TE	1
704	43150374	SENSOR ASSY, SERVICE, TD	1
705	43150375	SENSOR ASSY, SERVICE, TL	1
706	43163055	HOLDER, SENSOR	1
707	43F63325	HOLDER, SENSOR (TE)	1
708	43160565	TERMINAL BLOCK, 3P, AC250V, 20A	1
709	43160579	TERMINAL BLOCK, 30A, 4P	1
710	43F60639	FUSE, 25A, 250V	1
711	43160590	FUSE, 6.3A, 250VAC	3
712	43160667	FUSE BLOCK	1
713	43158207	REACTOR, CH-68	1
714	43158237	REACTOR, CH-85	1
715	43158238	REACTOR, CH-90	1
716	4316V620	PC BOARD ASSY, MCC-1600, N/F	1
717	4316V625	PC BOARD ASSY, MCC-1597, FAN-IPDU	1
718	4316V693	PC BOARD ASSY, MCC-1675, CDB	1
719	4316V624	PC BOARD ASSY, MCC-1698, IPDU	1
720	4316V550	PC BOARD ASSY, MCC-1646, DSP	1
721	43160660	LEAD ASSY, DSP	1
722	43154177	RELAY, 480V,20A (CONTACT)	1
723	43153007	THERMISTOR, PTC, MZ32-101RMAD01E	1
724	43282001	BUSHING	1
725	43183020	COLLAR	1
726	43F63248	SUPPORTER, ASSY	3