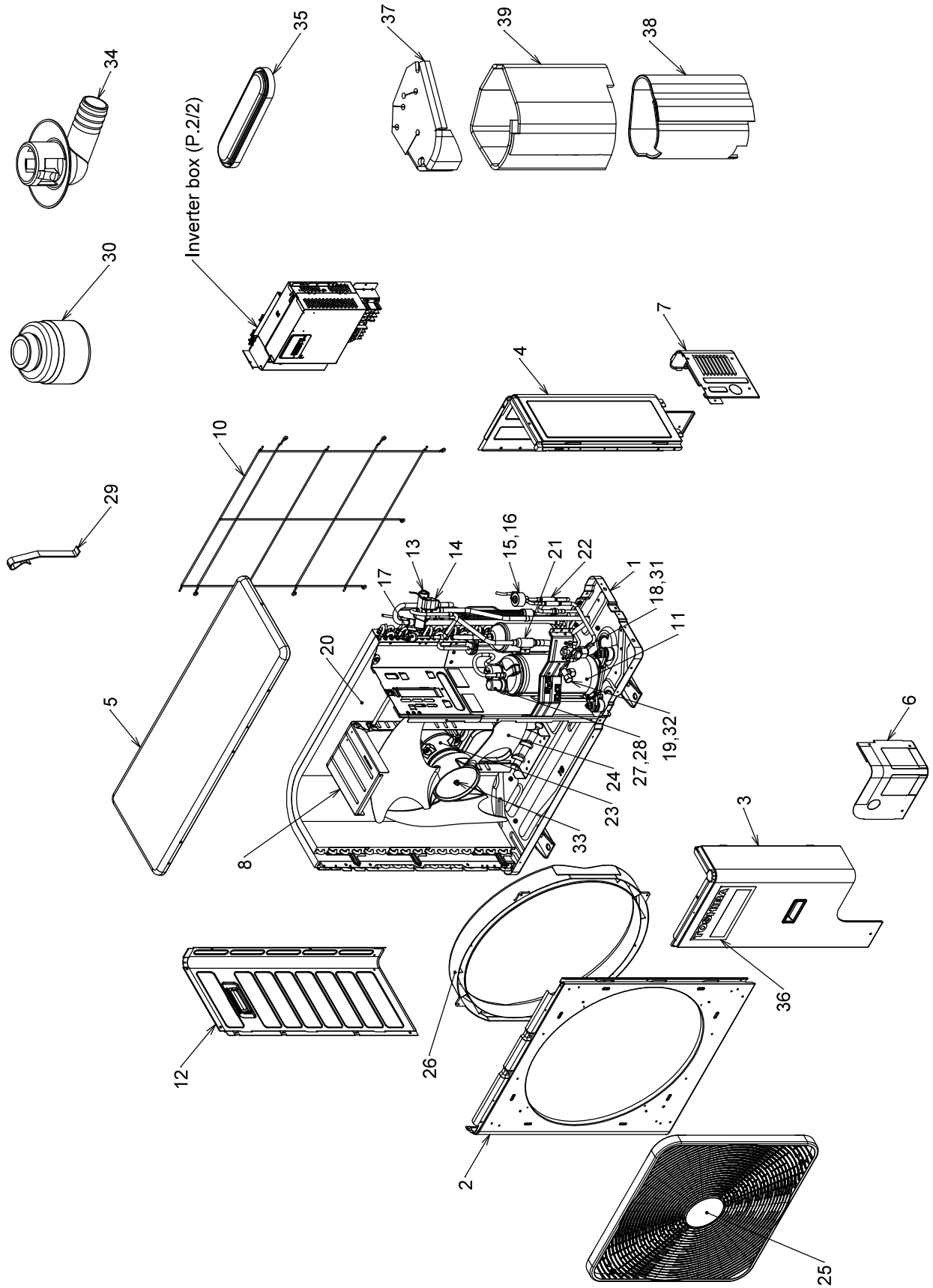


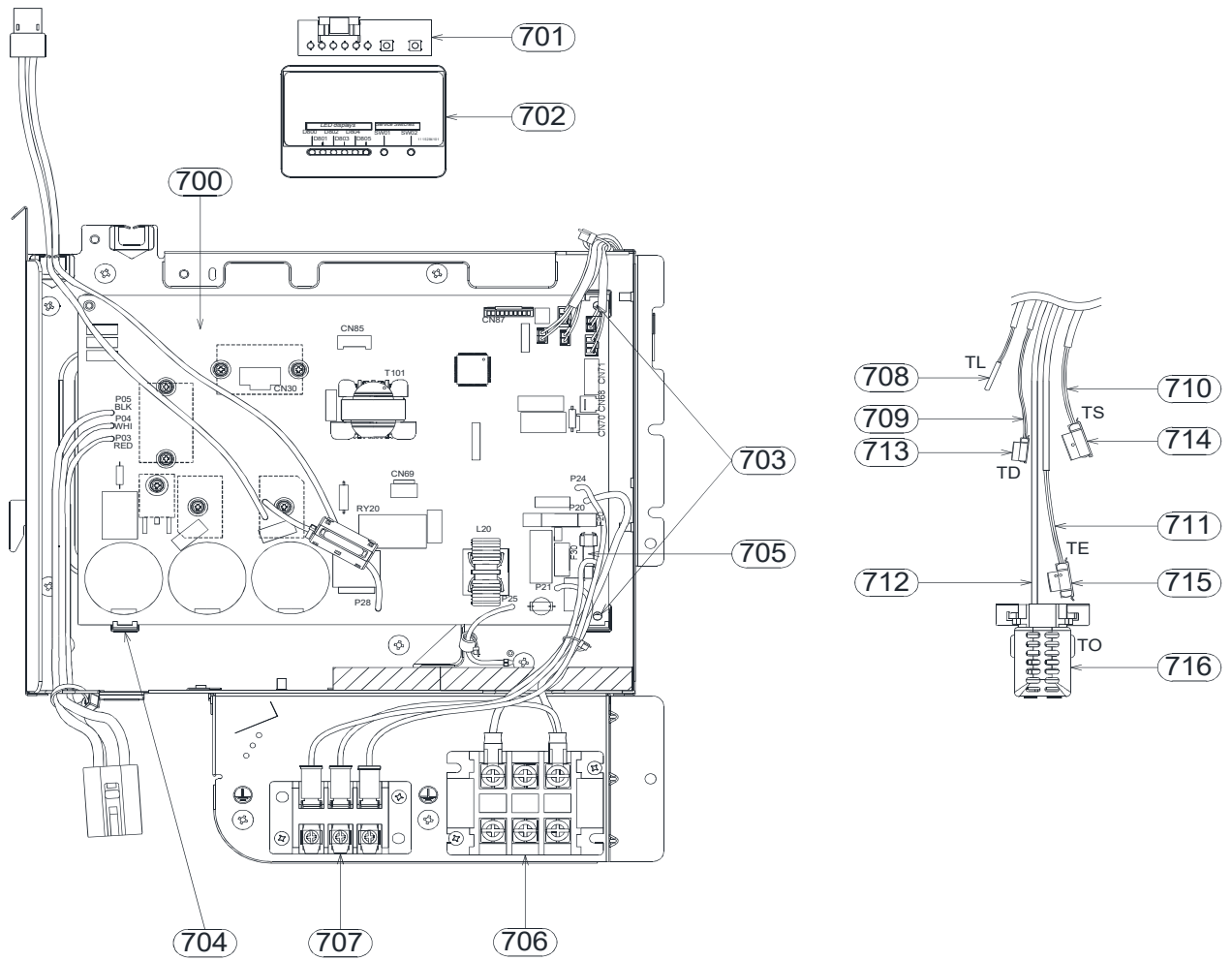
# 14. EXPLODED VIEWS AND PARTS LIST

## Outdoor Unit



Location No.	Part No.	Description	Model name	
			RAV-GV1401ATP-E	RAV-GV1401ATP-TR
1	43T42392	BASE PLATE ASSEMBLY	1	1
2	43T00857	AIR OUTLET CABINET	1	1
3	43T00910	FRONT SIDE PANEL ASSEMBLY	1	1
4	43T00911	BACK PANEL ASSEMBLY	1	1
5	43T00858	UPPER CABINET ASSEMBLY	1	1
6	43T00608	ASM-COAT-P-P-FR	1	1
7	43T00609	ASM-COAT-P-P-BK	1	1
8	43T39435	MOTOR BASE ASSEMBLY	1	1
10	43T19383	FIN GUARD	1	1
11	43T41583	COMPRESSOR	1	1
12	43T00851	LEFT SIDE PANEL ASSEMBLY	1	1
13	43T46424	4 WAY VALVE	1	1
14	43046571	COIL-V-3WAY	1	1
15	43T46556	VALVE PULSE MODULATING	1	1
16	43T63398	COIL-PMV	1	1
17	43T63373	SWITCH PRESSURE	1	1
18	43T46386	VALVE,PACKED,15.88 DIA	1	1
19	43T46380	VALVE;PACKED 9.52 DIA	1	1
20	43T43676	CONDENSER ASSEMBLY	1	1
21	43T47372	STRAINER	1	1
22	43T47373	STRAINER	1	1
23	43T21536	SERVICE MOTOR ASSEMBLY	1	1
24	43T20352	FAN-PR(PB522)	1	1
25	43T19372	FAN GUARD	1	1
26	43T22313	BELLMOUTH	1	1
27	43T60443	ASM-LEAD-COMP	1	1
28	43T60522	TEMPERATURE SENSOR	1	1
29	43T19333	HOLDER, SENSOR	1	1
30	43T49357	RUBBER,CUSHION	3	3
31	43T47410	BONNET (15.9D)	1	1
32	43T47404	BONNET, 9.52 DIA	1	1
33	43047669	NUT, FLANGE	1	1
34	43089160	CAP, WATERPROOF	5	5
35	43T79305	DRAIN NIPPLE	1	1
36	43T85893	MARK-T	1	1
37	43T04478	SOUND-INSU(UP)	1	1
38	43T04312	SOUND-INSU(IS)	1	1
39	43T04310	SOUNDPROOF COVER	1	1

<Inverter assembly>



Location No.	Part No.	Description	Model name	
			RAV-GV1401ATP-E	RAV-GV1401ATP-TR
700	43TN9691	PC BOARD ASSY, WP-500	1	1
701	43T6W816	PC BOARD ASSY (MCC-1646)	1	1
702	43T61321	BASE, PC BOARD	1	1
703	43T95301	SUPPORT, SPACER	2	2
704	43T95302	SPACER(EDGE)	1	1
705	43T60413	FUSE	1	1
706	43T60405	TERMINAL BLOCK	1	1
707	43T60331	TERMINAL, 3P	1	1
708	43T50335	TEMPERATURE SENSOR	1	1
709	43T50346	TEMPERATURE SENSOR	1	1
710	43T50336	TEMPERATURE SENSOR	1	1
711	43T50418	TC-SENSOR(TE)	1	1
712	43T50417	TEMPERATURE SENSOR, TO	1	1
713	43T63317	HOLDER,SENSOR	1	1
714	43T63323	HOLDER,SENSOR	1	1
715	43T63318	HOLDER SENSOR	1	1
716	43T63335	SENSOR HOLDER	1	1