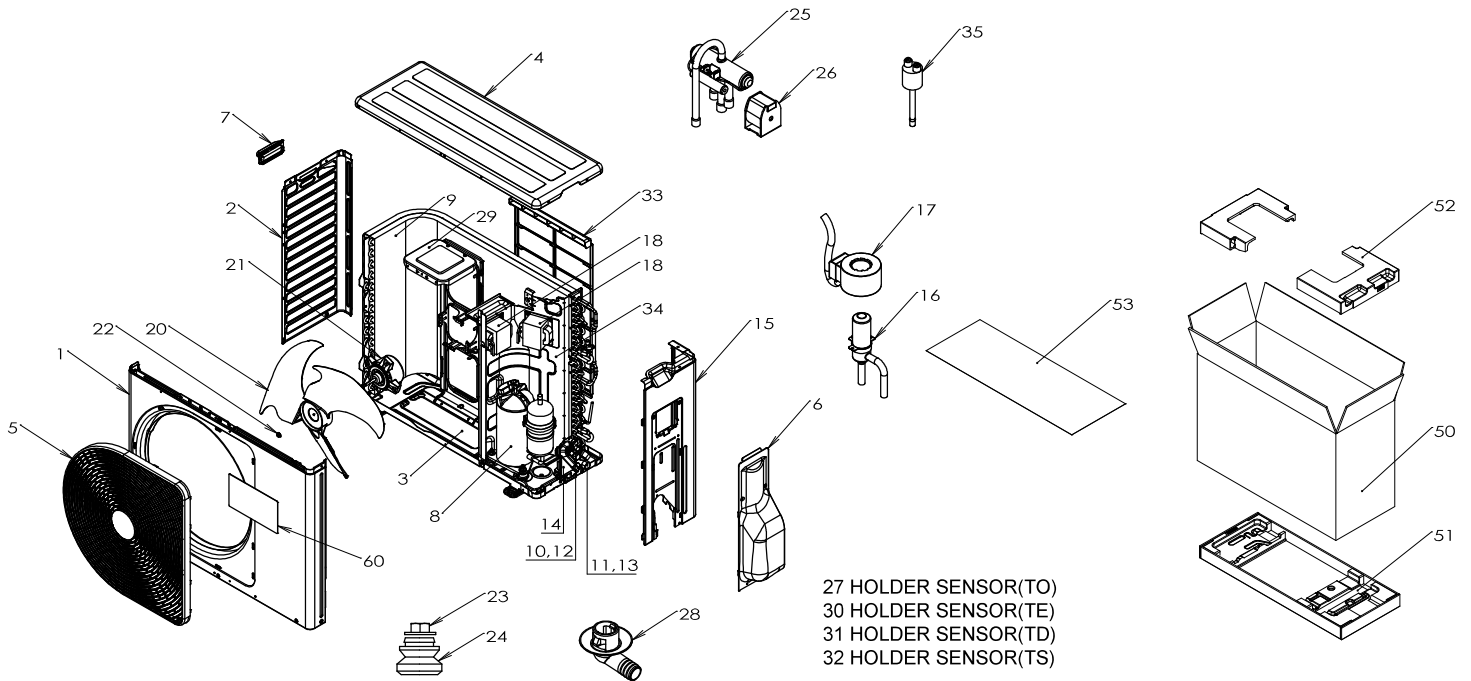


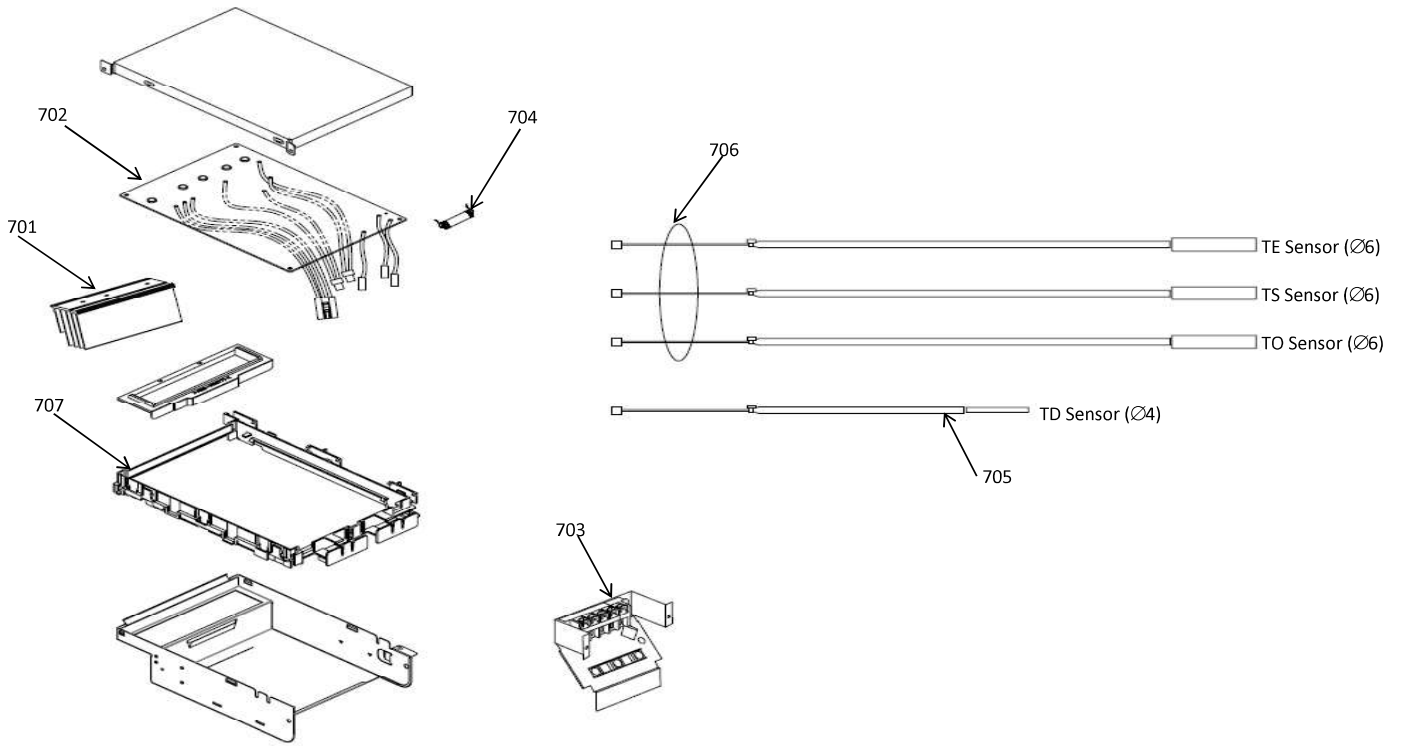
### 13. EXPLODED VIEWS AND PARTS LIST

#### 13-1. Outdoor Unit



Location No.	Part No.	Description	Location No.	Part No.	Description
1	43T00718	FRONT CABINET	22	43T47001	NUT FLANGE
2	43T00560	LEFT CABINET	23	43T97001	NUT
3	43T42345	BASE PLATE ASSEMBLY	24	43T49335	RUBBER CUSHION
4	43T00561	UPPER CABINET	25	43T46375	4 WAY VALVE
5	43T19371	FAN GUARD	26	43T63352	COIL-V-4WAY
6	43T00562	PACKED VALVE COVER ASSEMBLY	27	43T63319	HOLDER,SENSOR
7	43T19350	HANDLE	28	43T79305	DRAIN NIPPLE
8	43T41471	COMPRESSOR	29	43T39341	MOTOR BASE CONNECTION PLATE
9	43T43458	CONDENSOR ASSEMBLY	30	43T63318	HOLDER SENSOR
10	43T46358	VALVE;PACKED 6.35 DIA	31	43T63317	HOLDER,SENSOR
11	43T46374	VALVE;PACKED 12.7DIA(H4)	32	43T63316	HOLDER,SENSOR
12	43T47331	BONNET, 6.35 DIA	33	43T19351	FIN GUARD
13	43T47333	BONNET, 12.70 DIA	34	43T04343	PARTITION ASSEMBLY
14	43T00448	FIXING PLATE VALVE	35	43T63370	SW-PRESS
15	43T00719	RIGHT SIDE CABINET ASSEMBLY	50	43T91340	CARTON BOX
16	43T46347	BODY PMV	51	43T91338	FIBERBOARD UNDER ASSEMBLY
17	43T63329	COIL PMV	52	43T91337	CUSHION PACKING UPPER
18	43T58327	REACTOR	53	43T91301	PE SHEET
20	43T20331	PROELLER FAN	60	43T85684	MARK-T (ESTIA)
21	43T21375	FAN MOTOR			

13-2. P.C. Board Layout



Location No.	Part No.	Description
701	43T62353	HEATSINK
702	43T6V925	PC BOARD
703	43T60384	TERMINAL-6P
704	43T60326	FUSE

Location No.	Part No.	Description
705	43T50334	TEMPERATURE SENSOR
706	43T50304	SENSOR;HEAT EXCHANGER
707	43T62313	PC PLATE BASE