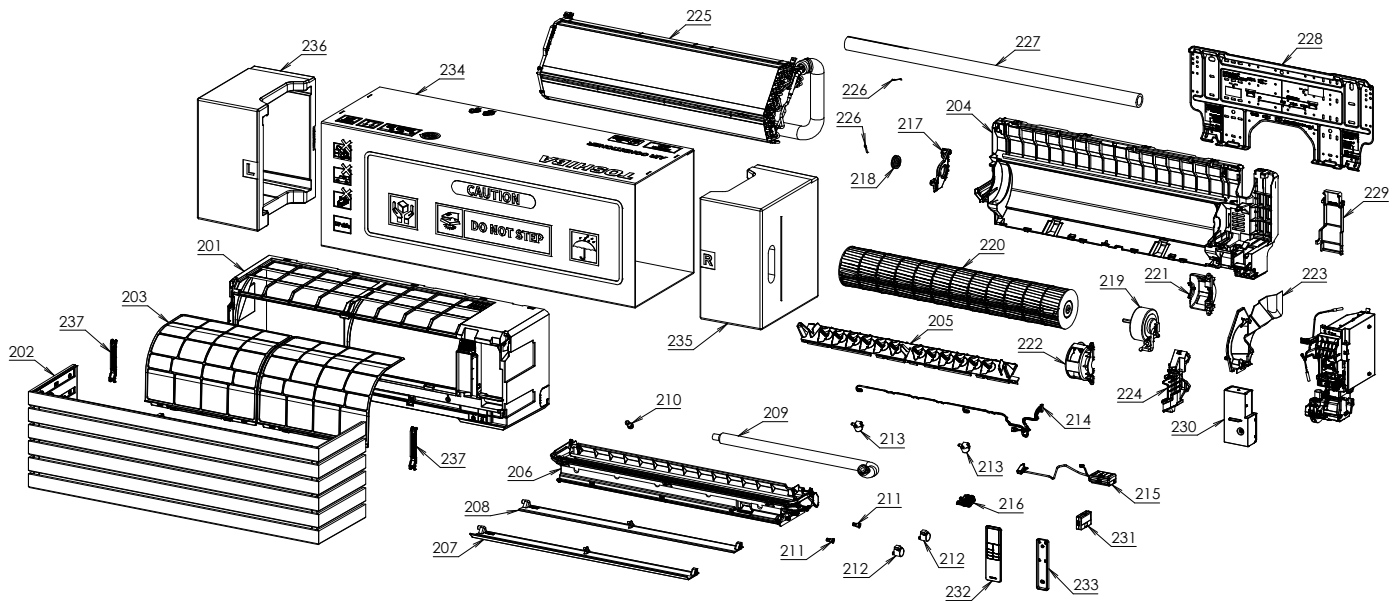


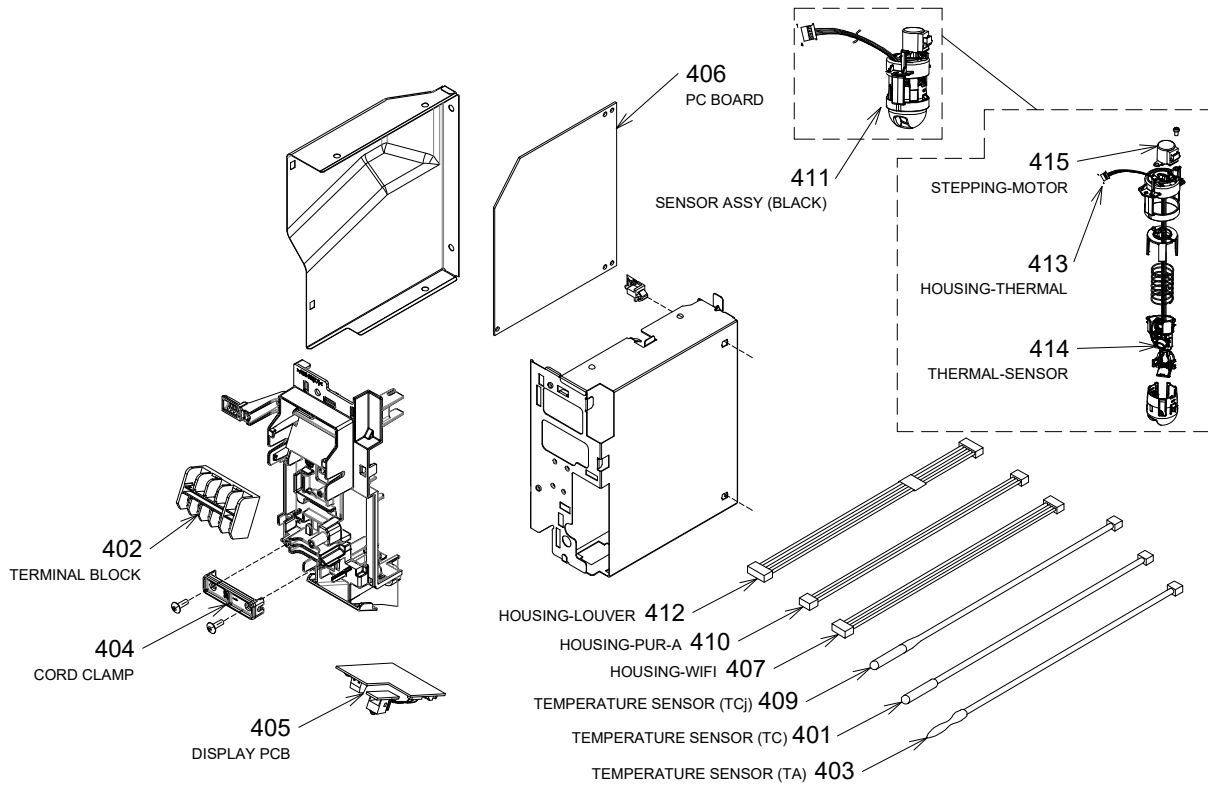
## 13. EXPLODED VIEWS AND PARTS LIST

### 13-1. Indoor Unit



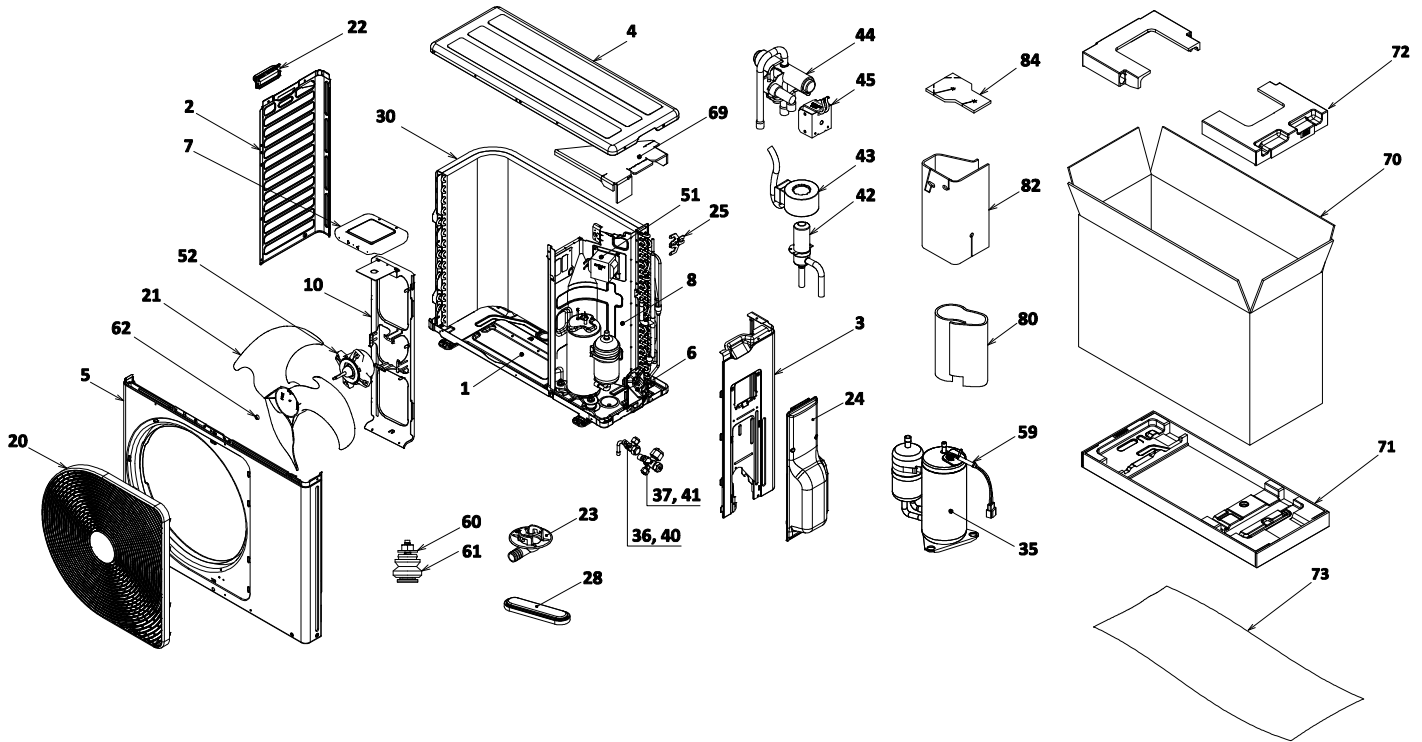
Location No.	Part No.	Description	Location No.	Part No.	Description
201	43T00942	FRONT PANEL ASSY (BLACK)	221	43T39423	MOTOR BAND BACK
202	43T09661	GRILLE OF AIR INLET ASSY (WOOD)	222	43T39424	MOTOR BAND FRONT
203	43T80372	AIR FILTER	223	43T39457	MOTOR COVER ASSY
204	43T03428	BODY BACK ASSY	224	43T79330	DRAIN COVER ASSY
205	43T22406	VERTICAL LOUVER ASSY	225	43T44855	REFRIGERATION CYCLE ASSY (FOR RAS-B10,13S4KVDG-E)
206	43T72421	DRAIN PAN ASSY	225	43T44856	REFRIGERATION CYCLE ASSY (FOR RAS-B18S4KVDG-E)
207	43T22412	HORIZONTAL LOUVER(FRONT,BLACK)	226	43T19333	HOLDER, SENSOR
208	43T22413	HORIZONTAL LOUVER(BACK,BLACK)	227	43T11341	PIPE-SHIELD
209	43T70321	DRAIN HOSE	228	43T82355	INSTALLATION PLATE ASSY
210	43T79322	DRAIN CAP	229	43049799	HOLDER-PIPE
211	43125202	COVER-AXIS	230	43T62360	TERMINAL COVER ASSY
212	43T21478	MOTOR; STEPPING	231	43T66421	WIRELESS ADAPTER (WRE-T00BJ10)
213	43T21434	STEPPING-MOTOR	232	43T66454	WIRELESS REMOCO(WH-UD01UE)
214	43T60627	VERTICAL MOTOR CORD	233	43T66423	HOLDER, REMOTE CONTROL
215	43T80355	HIGH VOLTAGE UNIT ASSY	234	43T91426	PACKING SLEEVE
216	43T80354	IONIZER UNIT COVER	235	43T91429	PACKING CUSHION RIGHT
217	43T22411	BASE BEARING ASSY	236	43T91430	PACKING CUSHION LEFT
218	43T22312	BEARING ASSY, MOLD	237	43T07346	HOLDER GRILLE
219	43T21534	FAN-MOTOR			
220	43T20370	CROSS FLOW FAN ASSY			

## 13-2. Indoor Unit (Part-E)



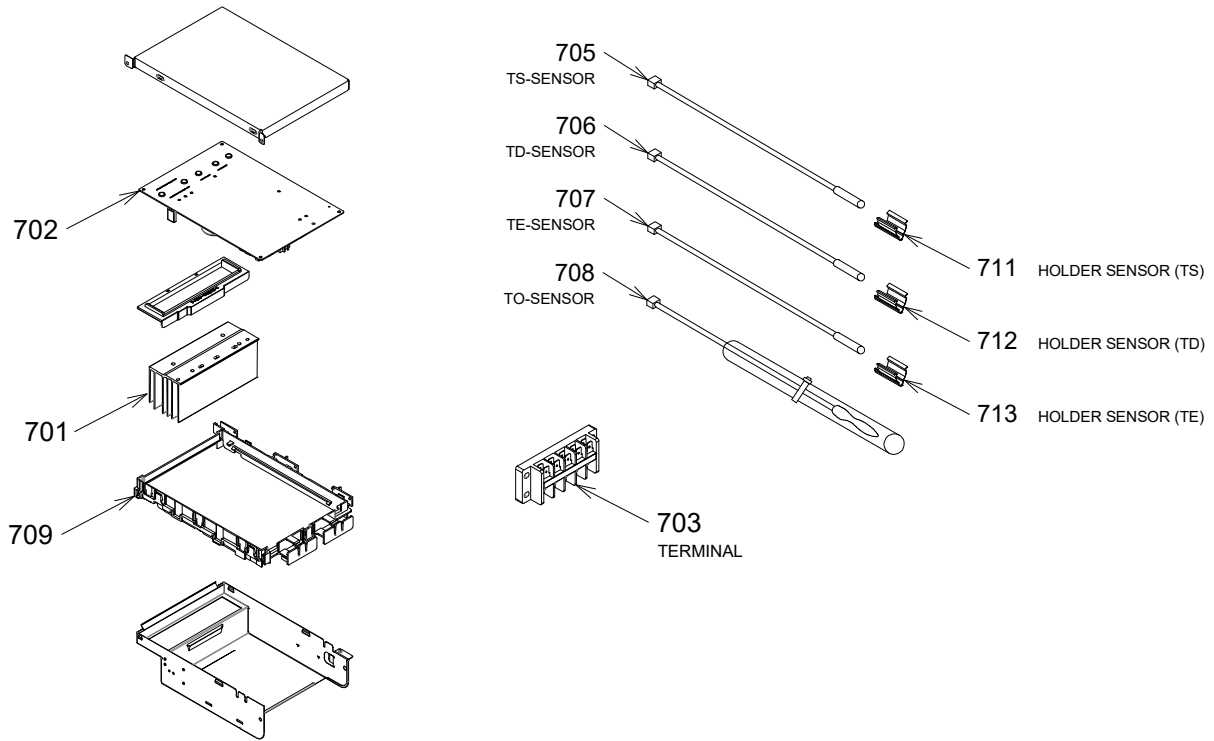
Location No.	Part No.	Description	Location No.	Part No.	Description
401	43T50393	TEMPERATURE SENSOR	407	43T60630	HOUSING-WIFI
402	43T6V673	TERMINAL(5P-TF)	409	43T60605	TEMPERATURE SENSOR
403	43T50413	TA-SENSOR	410	43T60508	HOUSING-PUR-A
404	43T62340	CORD-CLAMP	411	43T50451	SENSOR ASSY (BLACK)
405	43TN9997	PC BOARD ASSY : WRS-LED	412	43T60629	HOUSING-LOUVER
406	43TNV403	PC BOARD (FOR RAS-B10S4KVDG-E)	413	43T60628	HOUSING-THERMAL
406	43TNV404	PC BOARD (FOR RAS-B13S4KVDG-E)	414	43T50435	THERMAL-SENSOR (TPL-32C)
406	43TNV405	PC BOARD (FOR RAS-B18S4KVDG-E)	415	43T21434	STEPPING-MOTOR

### 13-3. Outdoor Unit



Location No.	Part No.	Description	Location No.	Part No.	Description
1	43T42383	BASE PLATE ASSEMBLY	40	43T46573	VALVE; PACKED 6.35 DIA
2	43T00560	LEFT CABINET	41	43T46574	VALVE; PACKED 9.52 DIA (FOR RAS-10, 13S4AVPG-E)
3	43T00719	RIGHT SIDE CABINET ASSEMBLY	41	43T46575	VALVE; PACKED 12.7 DIA (FOR RAS-18S4AVPG-E)
4	43T00561	UPPER CABINET	42	43T46569	BODY PMV
5	43T00718	FRONT CABINET	43	43T63360	COIL PMV
6	43T00448	FIXING PLATE VALVE	44	43T46367	4 WAY VALVE
7	43T39341	MOTOR BASE CONNECTION PLATE	45	43T63327	COIL-4WAY
8	43T04511	PARTITION ASSEMBLY (FOR RAS-10, 13S4AVPG-E)	51	43T58309	REACTOR (FOR RAS-10, 13S4AVPG-E)
8	43T04512	PARTITION ASSEMBLY (FOR RAS-18S4AVPG-E)	51	43T58340	REACTOR (FOR RAS-18S4AVPG-E)
10	43T39374	MOTOR BASE	52	43T21547	MOTOR FAN
20	43T19397	FAN GUARD	59	43T60443	ASM-LEAD-COMP
21	43T20331	PROPELLER FAN	60	43T97001	NUT
22	43T19350	HANDLE	61	43T49335	RUBBER CUSHION
23	43T79325	DRAIN NIPPLE	62	43T47001	NUT FLANGE
24	43T00939	PACKED-VALVE COVER ASSEMBLY	69	43T11343	WATERPROOF COVER
25	43T63376	HOLDER, SENSOR	70	43T91336	CARTON-BOX
28	43089160	CAP, WATERPROOF	71	43T91437	FIBERBOARD UNDER ASSEMBLY (FOR RAS-10, 13S4AVPG-E)
30	43T43704	CONDENSER ASSEMBLY	71	43T91438	FIBERBOARD UNDER ASSEMBLY (FOR RAS-18S4AVPG-E)
35	43T41527	COMPRESSOR (FOR RAS-13, 18S4AVPG-E)	72	43T91337	CUSHION PACKING UPPER
35	43T41542	COMP-ASSY (FOR RAS-10S4AVPG-E)	73	43T91301	PE SHEET
36	43T47403	BONNET, 6.35 DIA	80	43T04463	INSULATION SOUND INSIDE
37	43T47404	BONNET, 9.52 DIA (FOR RAS-10, 13S4AVPG-E)	82	43T04490	SOUND INSULATION OUTSIDE
37	43T47405	BONNET, 12.7 DIA (FOR RAS-18S4AVPG-E)	84	43T04416	SOUND INSULATION(UP)

### 13-4. Outdoor Unit (Part-E)



Location No.	Part No.	Description	Location No.	Part No.	Description
701	43T67315	HEAT SINK	705	43T50336	TEMPERATURE SENSOR
702	43TNV406	PC BOARD (FOR RAS-10S4AVPG-E)	706	43T50369	TEMPERATURE SENSOR
702	43TNV407	PC BOARD (FOR RAS-13S4AVPG-E)	707	43T50371	TEMPERATURE SENSOR
702	43TNV408	PC BOARD (FOR RAS-18S4AVPG-E)	708	43T50452	SENSOR-TA(TO)
703	43T60555	TERMINAL-5P	709	43T62313	PC PLATE BASE
			711	43T63316	HOLDER,SENSOR
			712	43T63317	HOLDER,SENSOR
			713	43T63318	HOLDER SENSOR