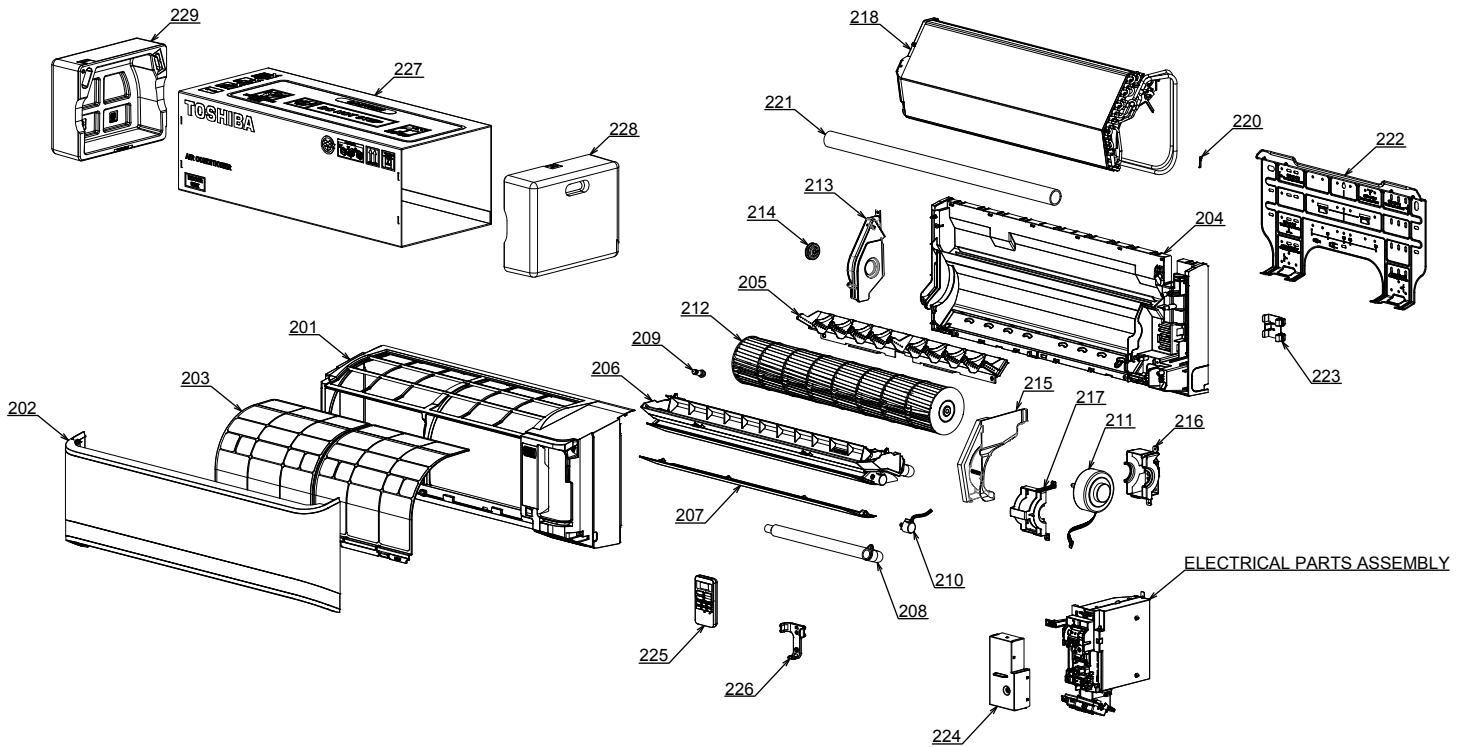


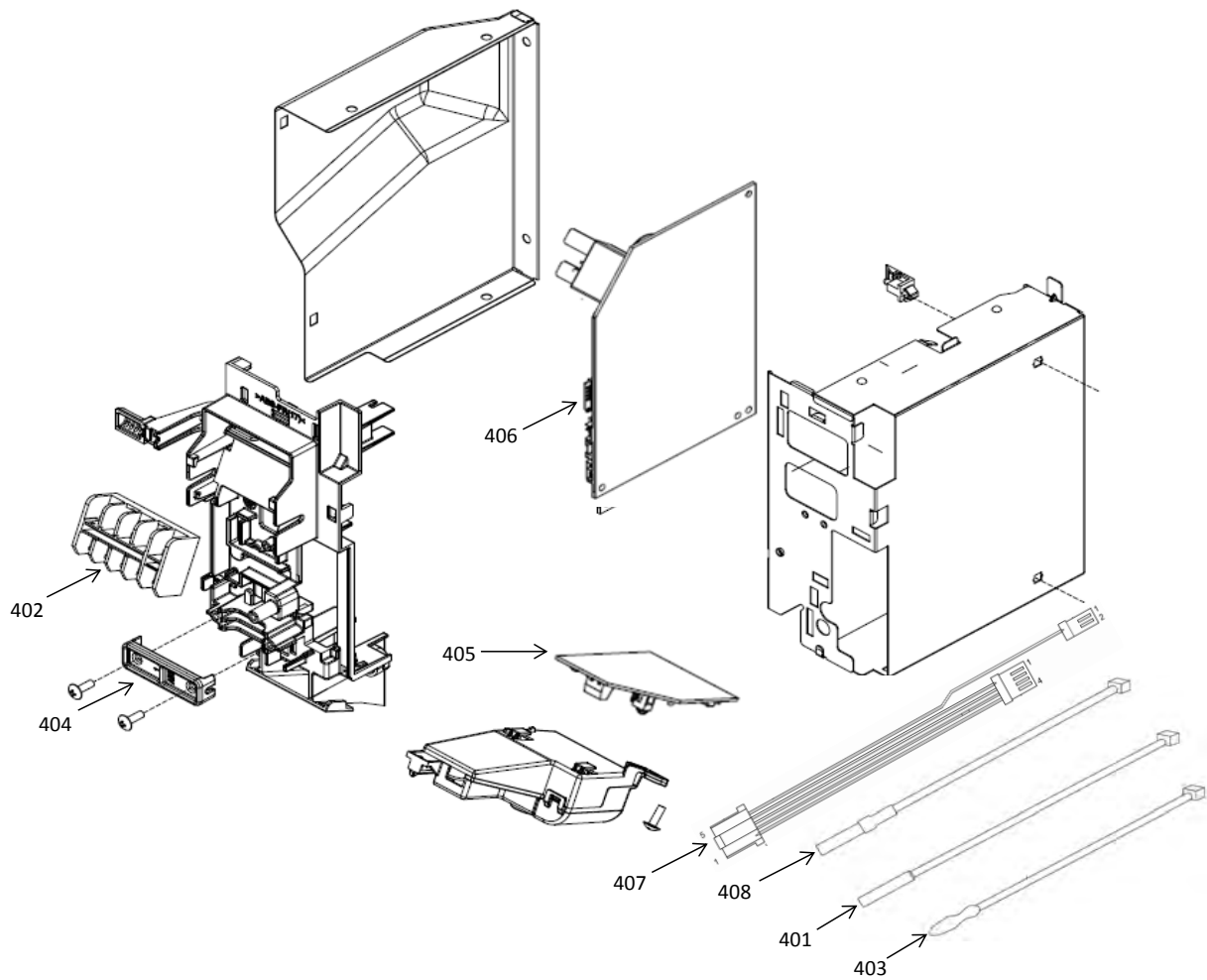
### 13. EXPLODED VIEWS AND PARTS LIST

#### 13-1. Indoor Unit



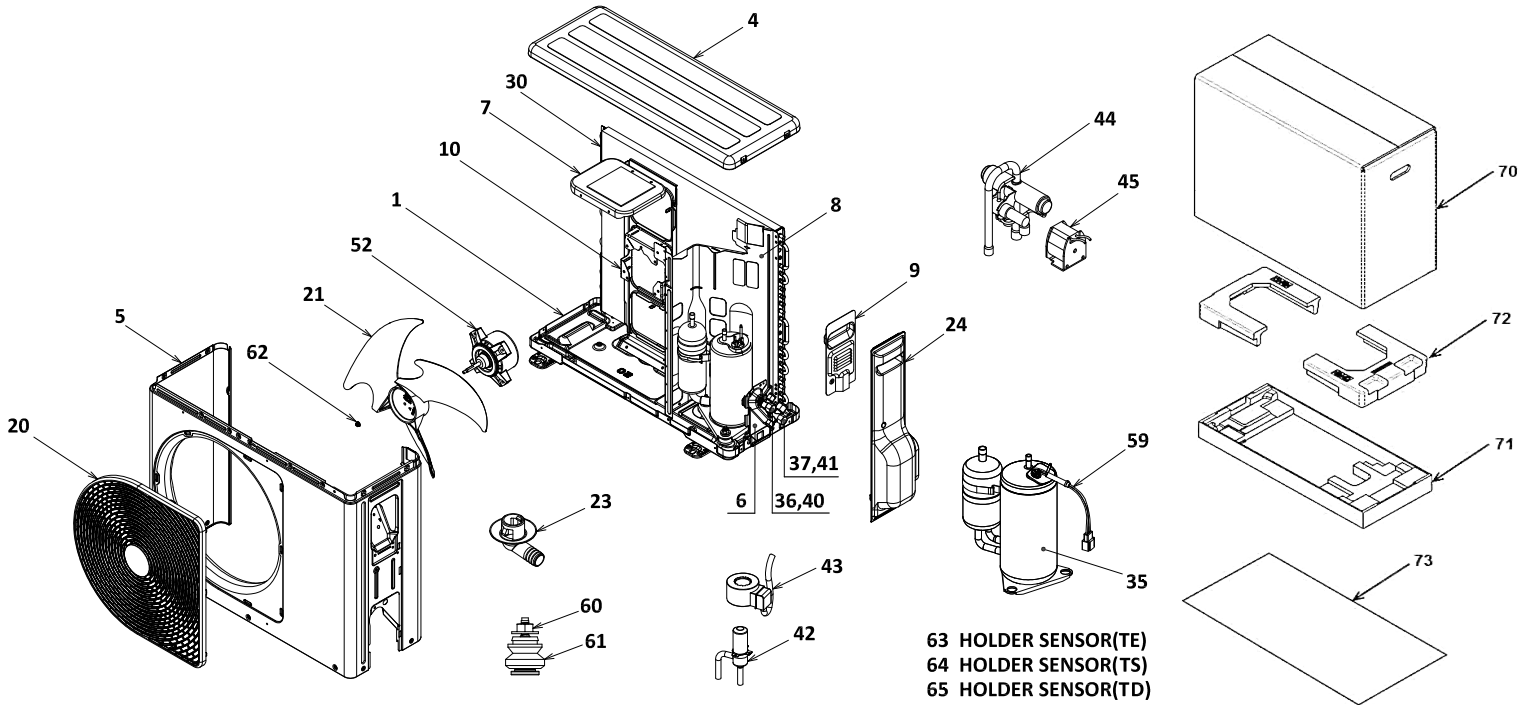
Location No.	Part No.	Description	Location No.	Part No.	Description
201	43T00685	FRONT PANEL ASSY	217	43T39367	MOTOR BAND FRONT (For RAS-B16J2KVG-E)
202	43T09563	GRILLE OF AIR INLET ASSY	217	43T39369	MOTOR BAND FRONT (For RAS-B05,07,10,13J2KVG-E) (For RAS-18J2KVG-E)
203	43T80349	AIR FILTER	218	43T44648	REFRIGERATION CYCLE ASSY (For RAS-B05,07J2KVG-E)
204	43T03398	BACK BODY ASSY	218	43T44649	REFRIGERATION CYCLE ASSY (For RAS-B10,13J2KVG-E)
205	43T22343	VERTICAL LOUVER ASSY	218	43T44650	REFRIGERATION CYCLE ASSY (For RAS-B16J2KVG-E)
206	43T72339	DRAIN PAN ASSY	218	43T44651	REFRIGERATION CYCLE ASSY (For RAS-18J2KVG-E)
207	43T22345	HORIZONTAL LOUVER	220	43T19333	HOLDER, SENSOR
208	43T70321	DRAIN HOSE	221	43T49359	PIPE, SHIELD
209	43T79322	DRAIN CAP	222	43T82332	INSTALLATION PLATE
210	43T21478	MOTOR; STEPPING	223	43T49368	PIPE HOLDER
211	43T21462	MOTOR FAN (For RAS-B05,07,10,13J2KVG-E)	224	43T62360	TERMINAL COVER ASSY
211	43T21471	MOTOR FAN (For RAS-18J2KVG-E)	225	43T66388	WIRELESS REMOCO(WH-UC01NE)
211	43T21480	MOTOR FAN (For RAS-B16J2KVG-E)	226	43T83310	HOLDER, REMOTE CONTROL
212	43T20344	CROSS FLOW FAN ASSY	227	43T91305	PACKING SLEEVE
213	43T39365	BASE BEARING	228	43T91306	PACKING CUSHION RIGHT
214	43T22312	BEARING ASSY, MOLD	229	43T91307	PACKING CUSHION LEFT
215	43T39364	MOTOR COVER			
216	43T39366	MOTOR BAND BACK (For RAS-B16J2KVG-E)			
216	43T39368	MOTOR BAND BACK (For RAS-B05,07,10,13J2KVG-E) (For RAS-18J2KVG-E)			

13-2. Indoor Unit (Part-E)



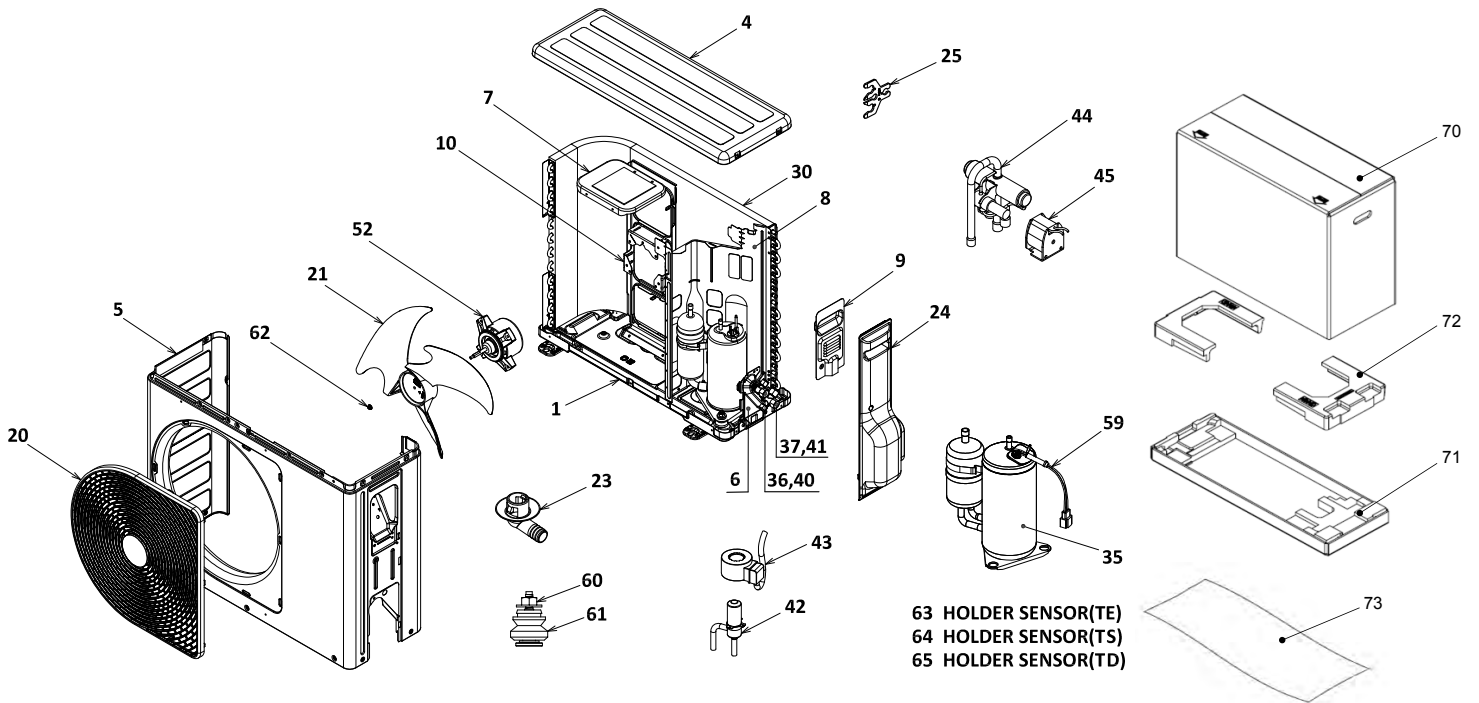
Location No.	Part No.	Description	Location No.	Part No.	Description
401	43T69319	TEMPERATURE SENSOR	406	43T6W520	PC BOARD (FOR RAS-B10J2KVG-E)
402	43T6V673	TERMINAL(5P-TF)	406	43T6W523	PC BOARD (FOR RAS-B13J2KVG-E)
403	43T6V674	TEMPERATURE SENSOR	406	43T6W526	PC BOARD (FOR RAS-B16J2KVG-E)
404	43T62340	CORD-CLAMP	406	43T6W529	PC BOARD (FOR RAS-18J2KVG-E)
405	43T6W441	PC BOARD ASSY:WRS-LED	407	43T60480	HOUSING-WiFi
406	43T6W514	PC BOARD (FOR RAS-B05J2KVG-E)	408	43T50306	TEMPERATURE SENSOR (FOR RAS-B05,07,10,13,16J2KVG-E)
406	43T6W517	PC BOARD (FOR RAS-B07J2KVG-E)			

**13-3. Outdoor Unit**  
**RAS-05J2AVG-E**  
**RAS-07J2AVG-E**  
**RAS-10J2AVG-E**



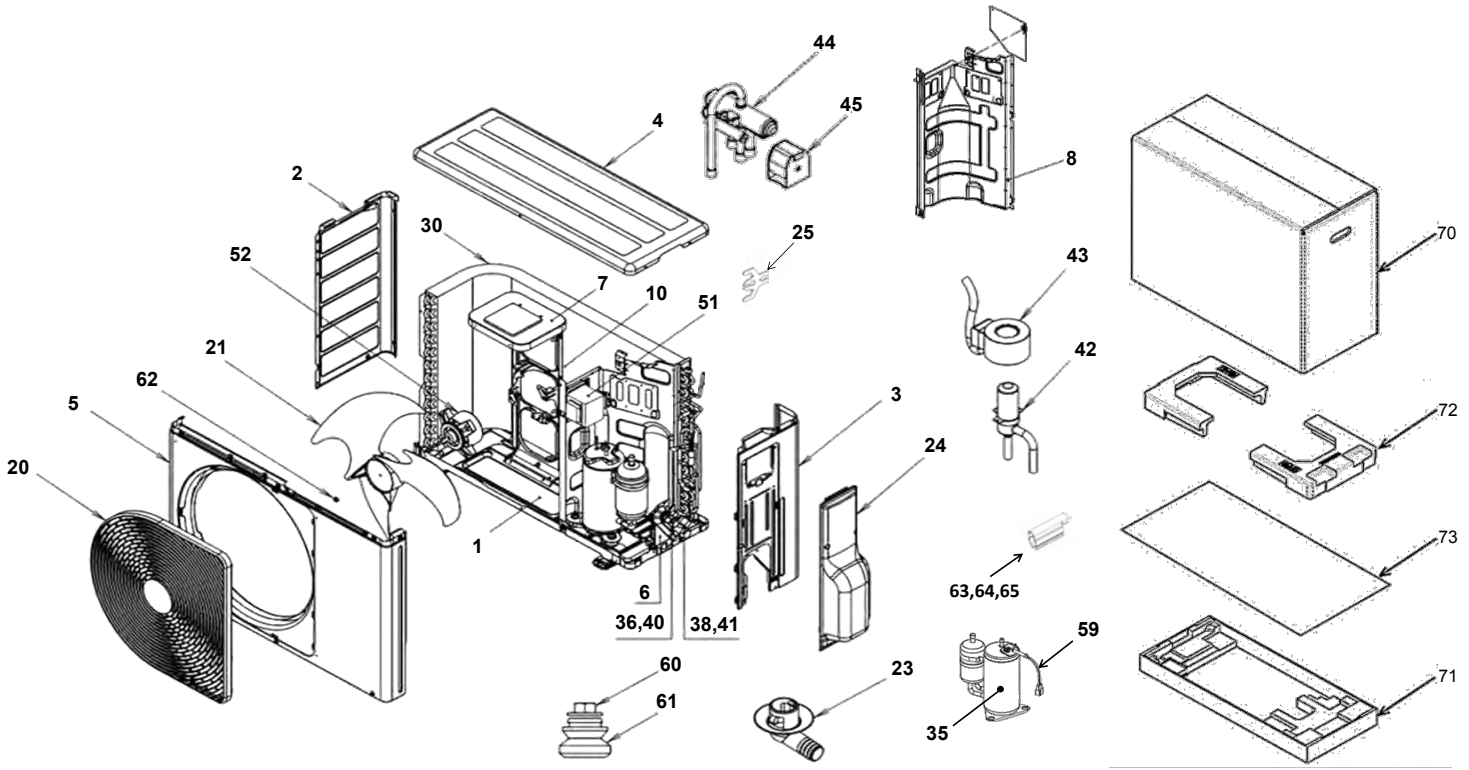
Location No.	Part No.	Description	Location No.	Part No.	Description
1	43T42335	BASE PLATE ASSEMBLY	41	43T46436	VALVE; PACKED 9.52 DIA
4	43T00733	UPPER CABINET ASSEMBLY	42	43T46469	BODY PMV
5	43T00682	FRONT CABINET ASSEMBLY	43	43T63360	COIL PMV
6	43T00448	FIXING PLATE VALVE	44	43T46470	4 WAY VALVE
7	43T39334	MOTOR BASE CONNECTION PLATE	45	43T63361	4 WAY VALVE COIL
8	43T04325	PARTITION ASSEMBLY	52	43T21460	FAN MOTOR
9	43T62323	TERMINAL COVER	59	43T60498	LEAD ASSY, COMPRESSOR
10	43T39325	MOTOR BASE	60	43T97001	NUT
20	43T19363	FAN GUARD	61	43T49327	CUSHION,RUBBER
21	43T20324	PROPELLER FAN	62	43T47001	NUT FLANGE
23	43T79305	DRAIN NIPPLE	63	43T63318	HOLDER SENSOR
24	43T19337	PACKED VALVE COVER	64	43T63316	HOLDER,SENSOR
25	43T63376	HOLDER, SENSOR	65	43T63317	HOLDER,SENSOR
30	43T43604	CONDENSER ASSEMBLY	70	43T91310	CARTON BOX
35	43T41533	COMPRESSOR	71	43T91303	ASM-FBBRD-UD
36	43T47403	BONNET, 6.35 DIA	72	43T91302	CUSHION-PKG-UPR
37	43T47404	BONNET, 9.52 DIA	73	43T91301	PE SHEET
40	43T46435	VALVE; PACKED 6.35 DIA			

**13-4. Outdoor Unit**  
**RAS-13J2AVG-E**



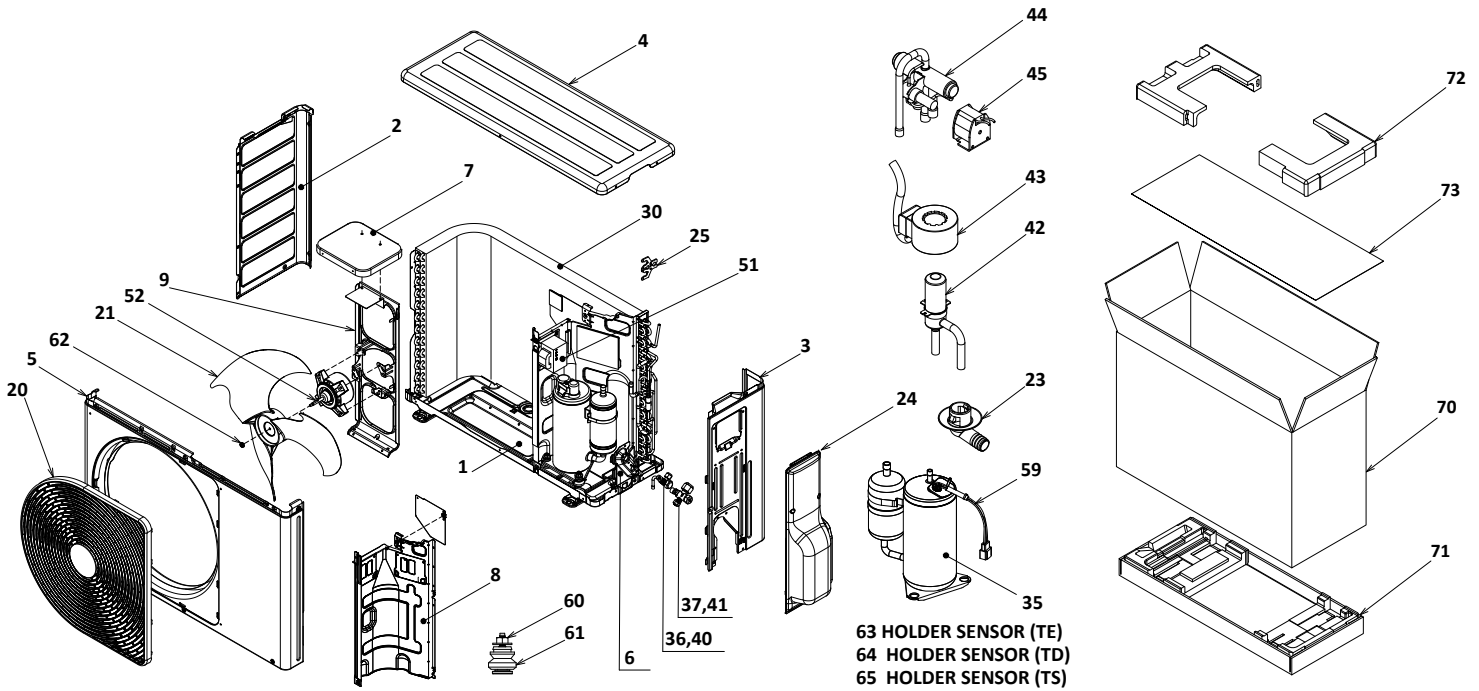
Location No.	Part No.	Description	Location No.	Part No.	Description
1	43T42335	BASE PLATE ASSEMBLY	41	43T46436	VALVE; PACKED 9.52 DIA
4	43T00733	UPPER CABINET ASSEMBLY	42	43T46469	BODY PMV
5	43T00683	FRONT CABINET ASSEMBLY	43	43T63360	COIL PMV
6	43T00448	FIXING PLATE VALVE	44	43T46470	4 WAY VALVE
7	43T39334	MOTOR BASE CONNECTION PLATE	45	43T63361	4 WAY VALVE COIL
8	43T04325	PARTITION ASSEMBLY	52	43T21460	FAN MOTOR
9	43T62323	TERMINAL COVER	59	43T60498	LEAD ASSY, COMPRESSOR
10	43T39325	MOTOR BASE	60	43T97001	NUT
20	43T19363	FAN GUARD	61	43T49327	CUSHION,RUBBER
21	43T20324	PROPELLER FAN	62	43T47001	NUT FLANGE
23	43T79305	DRAIN NIPPLE	63	43T63318	HOLDER SENSOR
24	43T19337	PACKED VALVE COVER	64	43T63316	HOLDER,SENSOR
25	43T63376	HOLDER, SENSOR	65	43T63317	HOLDER,SENSOR
30	43T43605	CONDENSER ASSEMBLY	70	43T91310	CARTON BOX
35	43T41525	COMPRESSOR	71	43T91303	ASM-FBBD-UD
36	43T47403	BONNET, 6.35 DIA	72	43T91302	CUSHION-PKG-UPR
37	43T47404	BONNET, 9.52 DIA	73	43T91301	PE SHEET
40	43T46435	VALVE; PACKED 6.35 DIA			

**13-5. Outdoor Unit**  
**RAS-16J2AVG-E**



Location No.	Part No.	Description	Location No.	Part No.	Description
1	43T42327	BASE PLATE ASSEMBLY	41	43T46461	VALVE; PACKED 12.7 DIA
2	43T00459	LEFT CABINET	42	43T46469	BODY PMV
3	43T00690	RIGHT CABINET ASSEMBLY	43	43T63360	COIL PMV
4	43T00452	UPPER CABINET	44	43T46470	4 WAY VALVE
5	43T00688	FRONT CABINET ASSEMBLY	45	43T63361	4 WAY VALVE COIL
6	43T00448	FIXING PLATE VALVE	51	43T58309	REACTOR
7	43T39333	MOTOR BASE CONNECTION PLATE	52	43T21460	FAN MOTOR
8	43T04360	GUIDE WIND PARTITION ASSEMBLY	59	43T60497	LEAD ASSY, COMPRESSOR
10	43T39393	MOTOR BASE	60	43T97001	NUT
20	43T19364	FAN GUARD	61	43T49327	CUSHION,RUBBER
21	43T20319	PROPELLER FAN	62	43T47001	NUT FLANGE
23	43T79305	DRAIN NIPPLE	63	43T63318	HOLDER SENSOR
24	43T00691	PACKED VALVE COVER ASSEMBLY	64	43T63317	HOLDER,SENSOR
25	43T63376	HOLDER, SENSOR	65	43T63316	HOLDER,SENSOR
30	43T43603	CONDENSER ASSEMBLY	70	43T91312	CARTON BOX
35	43T41500	COMPRESSOR	71	43T91309	ASM-FBBD-UD
36	43T47403	BONNET, 6.35 DIA	72	43T91314	CUSHION-PKG-UPR
38	43T47405	BONNET, 12.7 DIA	73	43T91301	PE SHEET
40	43T46435	VALVE; PACKED 6.35 DIA			

**13-6. Outdoor Unit**  
**RAS-18J2AVG-E**

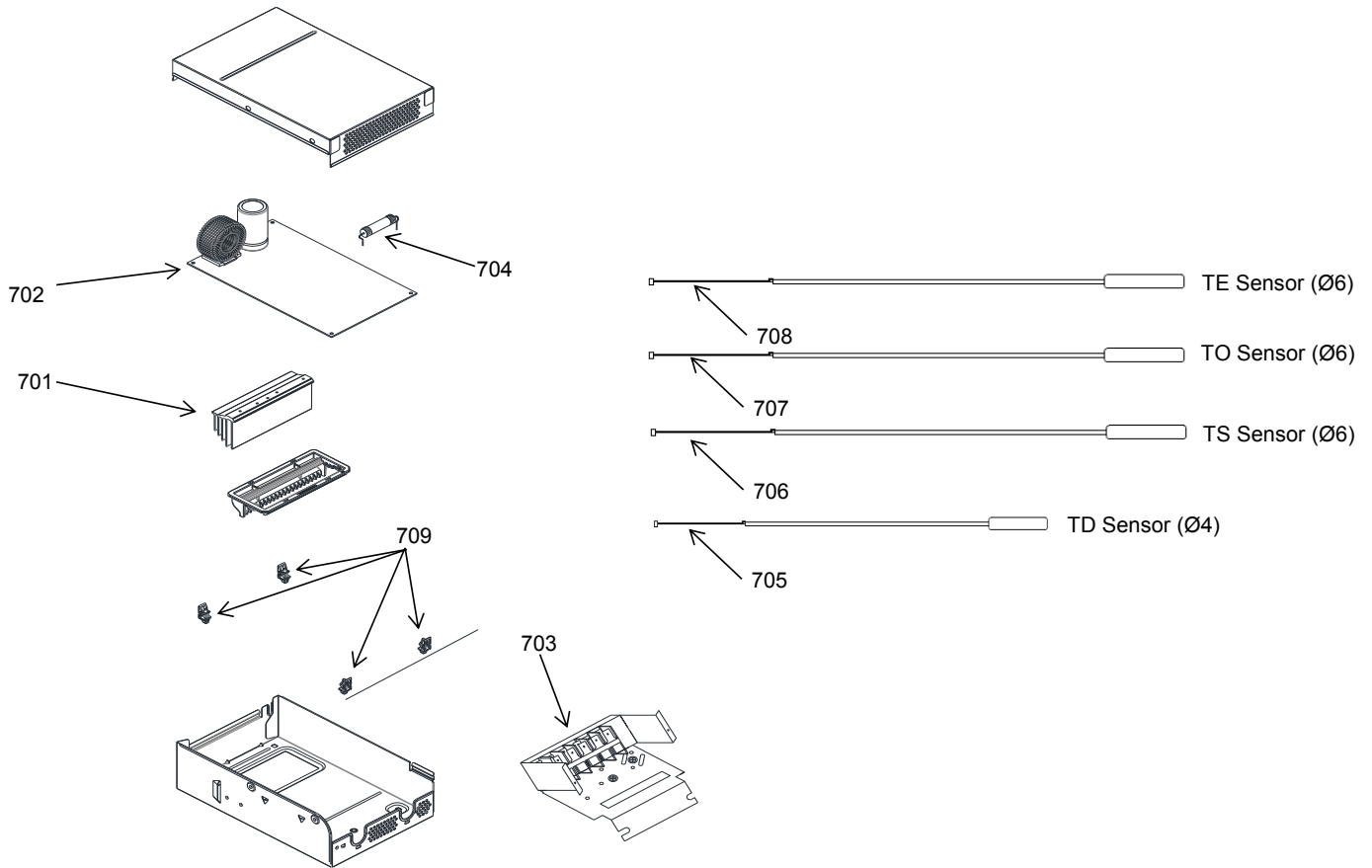


Location No.	Part No.	Description
1	43T42327	BASE PLATE ASSEMBLY
2	43T00459	LEFT CABINET
3	43T00690	RIGHT CABINET ASSEMBLY
4	43T00735	UPPER CABINET ASSEMBLY
5	43T00688	FRONT CABINET ASSEMBLY
6	43T00448	FIXING PLATE VALVE
7	43T39333	MOTOR BASE CONNECTION PLATE
8	43T04367	GUIDE WIND PARTITION ASSEMBLY
9	43T39393	MOTOR BASE
20	43T19364	FAN GUARD
21	43T20319	PROPELLER FAN
23	43T79305	DRAIN NIPPLE
24	43T00691	PACKED VALVE COVER ASSEMBLY
25	43T63376	HOLDER, SENSOR
30	43T43545	CONDENSER ASSEMBLY
35	43T41500	COMPRESSOR
36	43T47403	BONNET, 6.35 DIA
37	43T47405	BONNET, 12.7 DIA
40	43T46435	VALVE; PACKED 6.35 DIA

Location No.	Part No.	Description
41	43T46461	VALVE; PACKED 12.7 DIA
42	43T46469	BODY PMV
43	43T63360	COIL PMV
44	43T46470	4 WAY VALVE
45	43T63361	4 WAY VALVE COIL
51	43T58309	REACTOR
52	43T21460	FAN MOTOR
59	43T60494	LEAD ASSY, COMPRESSOR
60	43T97001	NUT
61	43T49327	CUSHION,RUBBER
62	43T47001	NUT FLANGE
63	43T63318	HOLDER SENSOR
64	43T63317	HOLDER,SENSOR
65	43T63316	HOLDER,SENSOR
70	43T91343	CARTON BOX
71	43T91342	FIBERBOARD UNDER ASSEMBLY
72	43T91314	CUSHION-PKG-UPR
73	43T91301	PE SHEET

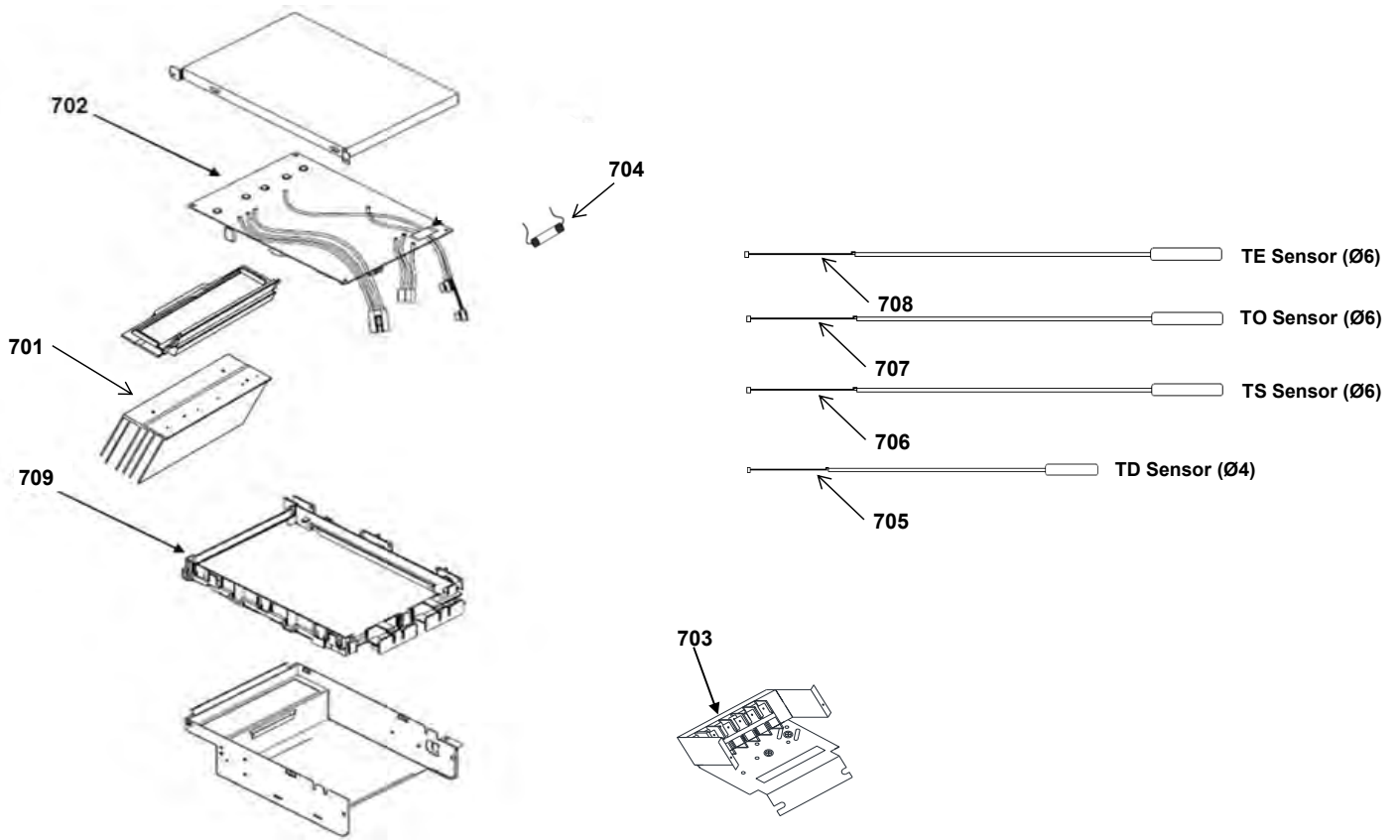
**13-7. Outdoor Unit (Part-E)**

**RAS-05, 07, 10, 13J2AVG-E**



Location No.	Part No.	Description	Location No.	Part No.	Description
701	43T67306	HEATSINK	704	43T60459	FUSE
702	43T6W531	PC BOARD (FOR RAS-05J2AVG-E)	705	43T60465	TEMPERATURE SENSOR
702	43T6W532	PC BOARD (FOR RAS-07J2AVG-E)	706	43T50353	TEMPERATURE SENSOR
702	43T6W533	PC BOARD (FOR RAS-10J2AVG-E)	707	43T50360	TC-SENSOR(TO)
702	43T6W534	PC BOARD (FOR RAS-13J2AVG-E)	708	43T50352	TEMPERATURE SENSOR
703	43T60392	TERMINAL-5P	709	43T95304	SPACER-KGES

**13-8. Outdoor Unit (Part-E)**  
**RAS-16, 18J2AVG-E**



Location No.	Part No.	Description	Location No.	Part No.	Description
701	43T62351	HEATSINK (FOR RAS-16J2AVG-E)	705	43T60465	TEMPERATURE SENSOR (FOR RAS-16J2AVG-E)
701	43T67310	HEATSINK (FOR RAS-18J2AVG-E)	706	43T50336	TEMPERATURE SENSOR (FOR RAS-18J2AVG-E)
702	43T6W511	PC BOARD (FOR RAS-18J2AVG-E)	706	43T50353	TEMPERATURE SENSOR (FOR RAS-16J2AVG-E)
702	43T6W535	PC BOARD (FOR RAS-16J2AVG-E)	707	43T50360	TC-SENSOR(TO)
703	43T60392	TERMINAL-5P	708	43T50352	TEMPERATURE SENSOR (FOR RAS-16J2AVG-E)
704	43T60326	FUSE	708	43T50371	TEMPERATURE SENSOR (FOR RAS-18J2AVG-E)
705	43T50369	TEMPERATURE SENSOR (FOR RAS-18J2AVG-E)	709	43T62313	PC PLATE BASE



**TOSHIBA CARRIER (THAILAND) CO., LTD.**

**144/9 MOO 5, BANGKADI INDUSTRIAL PARK, TIVANON ROAD, TAMBOL BANGKADI,  
AMPHUR MUANG, PATHUMTHANI 12000, THAILAND.**