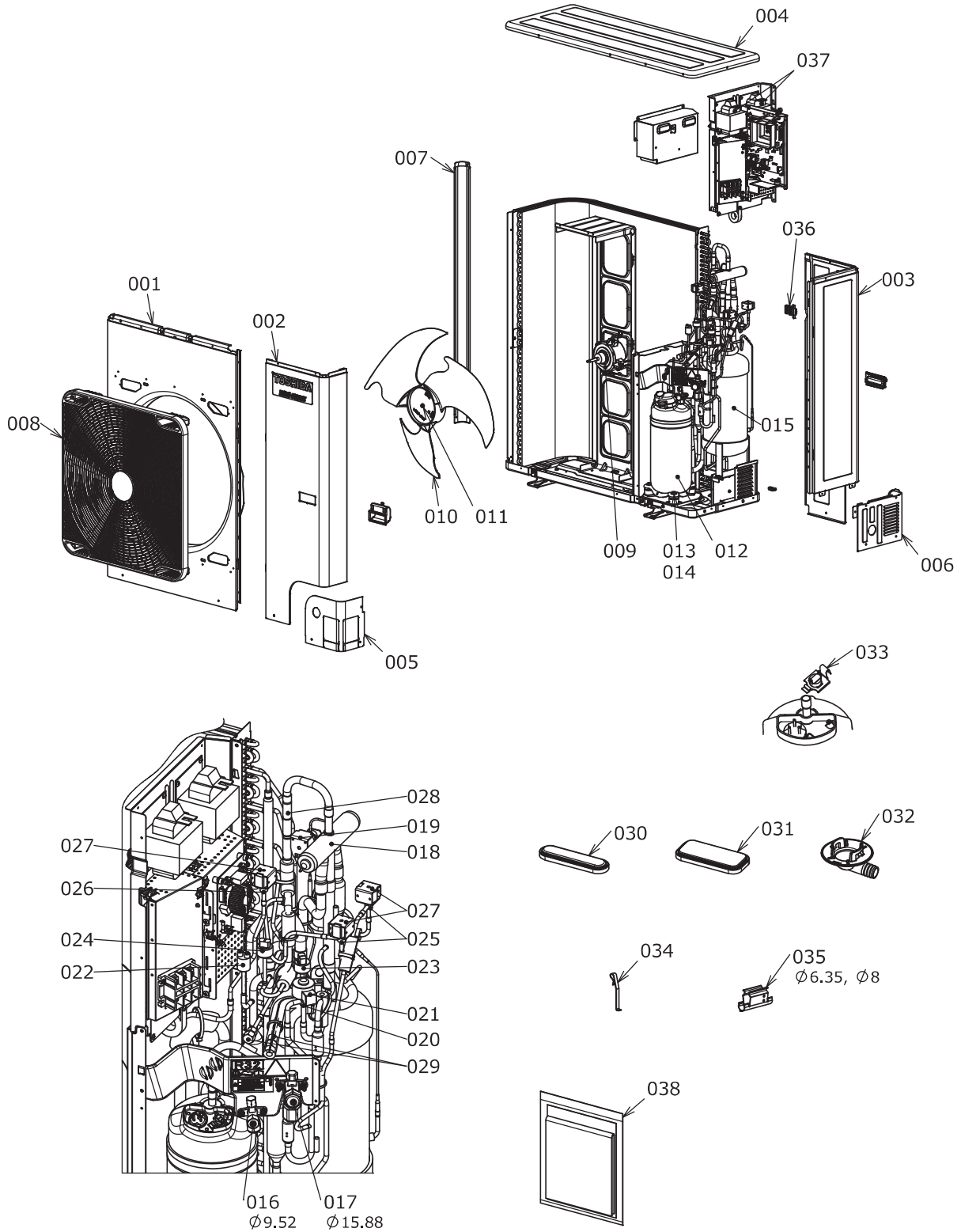


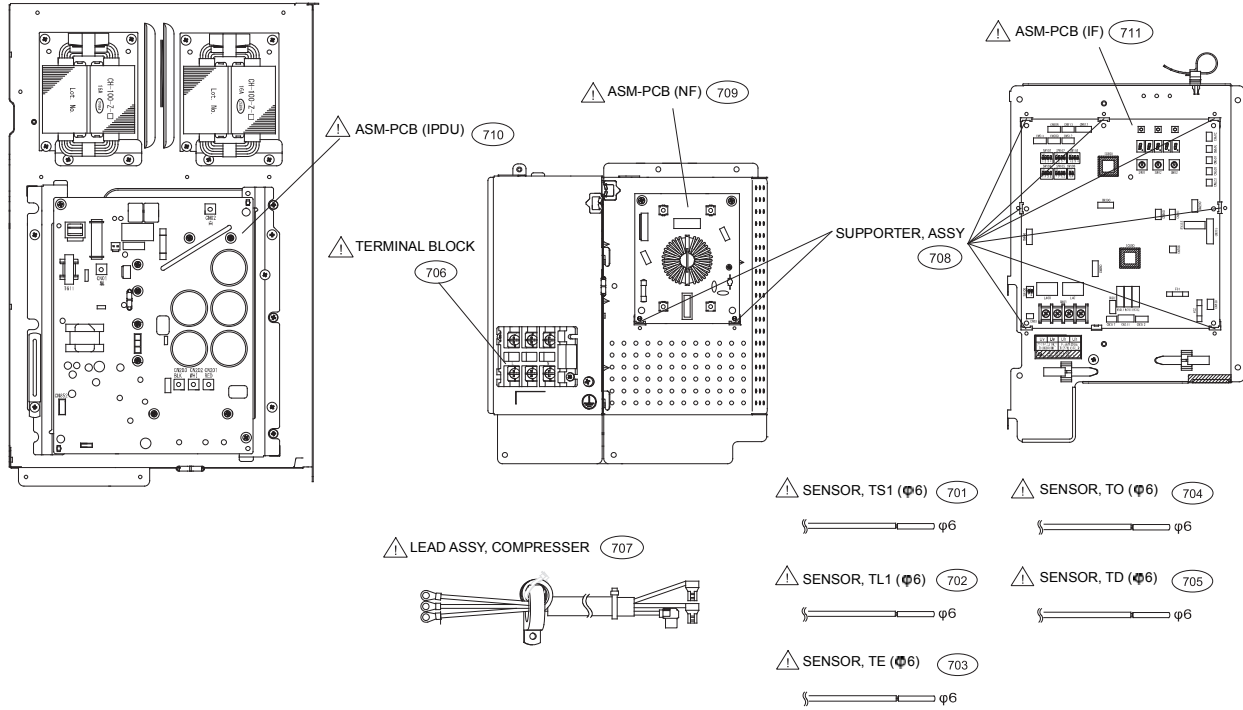
12 Exploded diagram / parts list

12-1. Outdoor unit



Location No.	Part No.	Description	Q'ty/Set		
			MCY-MUG***1 HSW-(E/TR)		
			040	050	060
001	43P00005	PANEL, AIR OUTLET	1	1	1
002	43P00017	PANEL, FRONT, ASSY	1	1	1
003	43P00020	PANEL, SIDE, RIGHT, ASSY	1	1	1
004	43P00008	PANEL, ROOF, ASSY	1	1	1
005	43P00009	PANEL, FRONT, PIPING	1	1	1
006	43P00010	PANEL, BACK, PIPING, ASSY	1	1	1
007	43P00011	STAY	1	1	1
008	43P09001	GUARD, FAN	1	1	1
009	43P21003	MOTOR, FAN, ICF-280-A100-1	1	1	1
010	43P20001	FAN, PROPELLER, PS561-E	1	1	1
011	43P97001	NUT, FLANGE	1	1	1
012	43P42010	COMPRESSOR, ASSY	1	1	1
013	43P42007	RUBBER, CUSHION, A3	3	3	3
014	43P42001	BOLT, COMPRESSOR	3	3	3
015	43P48002	ACCUMULATOR	1	1	1
016	43P46022	LIQUID, VALVE, ASSY, ϕ 9.52	1	1	1
017	43P46026	VALVE, PACKED, ϕ 15.88	1	1	1
018	43P46030	VALVE, 4-WAY	1	1	1
019	43P46021	COIL, VALVE, 4-WAY	1	1	1
020	43P46031	BODY, PMV	1	1	1
021	43P46032	COIL, PMV	1	1	1
022	43P51006	SWITCH, PRESSURE	1	1	1
023	43P51007	SENSOR, LOW PRESSURE	1	1	1
024	43P51008	SENSOR, HIGH PRESSURE	1	1	1
025	43P46027	VALVE, 2-WAY, ϕ 1.2	2	2	2
026	43P46028	VALVE, 2-WAY, ϕ 2.3	1	1	1
027	43P46029	COIL, VALVE, 2-WAY	3	3	3
028	43P46024	VALVE, CHECKED	1	1	1
029	43P46025	JOINT, CHECK	2	2	2
030	43P79008	CAP, WATERPROOF	1	1	1
031	43P79009	CAP, WATERPROOF	4	4	4
032	43P19002	NIPPLE, DRAIN	1	1	1
033	43P50016	THERMOSTAT, BIMETAL, ASSY	1	1	1
034	43P63001	HOLDER, SENSOR, 16mm	1	1	1
035	43P63003	HOLDER, SENSOR, ϕ 6.35, ϕ 8	1	1	1
036	43P63002	HOLDER, SENSOR (TO)	1	1	1
037	43P58003	REACTOR, CH-100	2	2	2
038	43P11001	CUSHION, ASSY	1	1	1

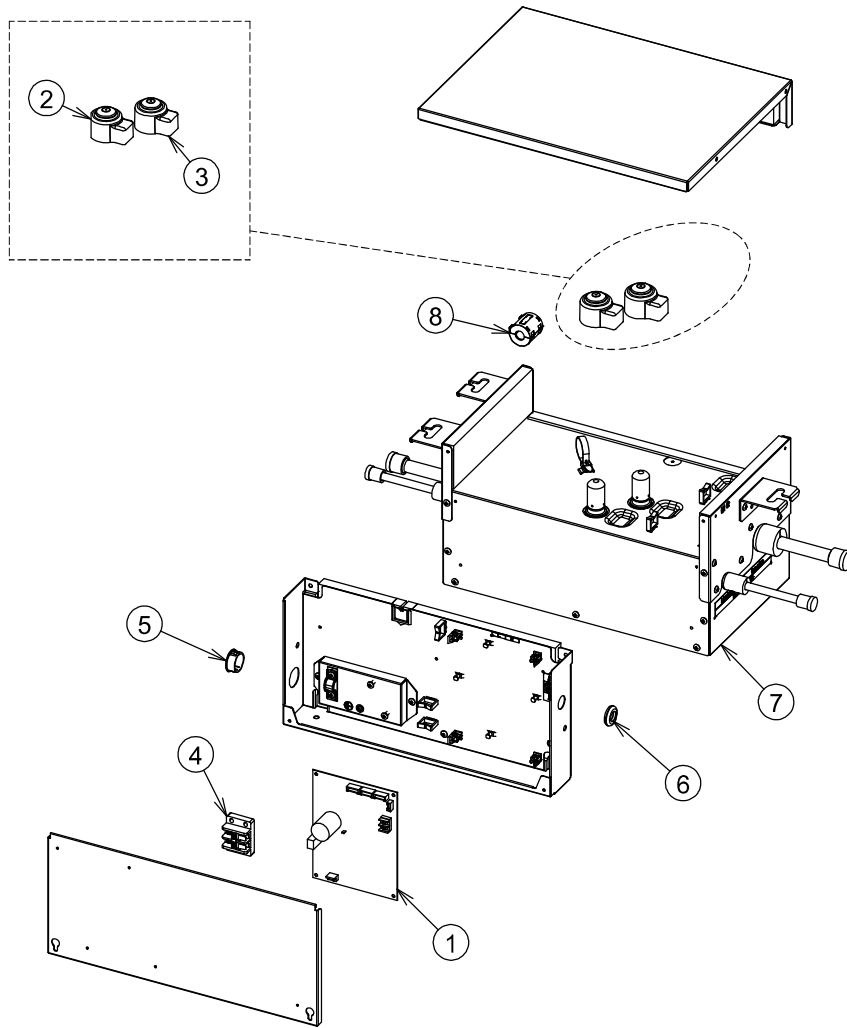
12-2. Inverter assembly



Location No.	Part No.	Description	Q'ty/Set		
			MCY-MUG***1HSW-(E/TR)		
			040	050	060
701	43150465	SENSOR, TS1	1	1	1
702	43150466	SENSOR, TL1	1	1	1
703	43150467	SENSOR, TE	1	1	1
704	43150468	SENSOR, TO	1	1	1
705	43150469	SENSOR, TD	1	1	1
706	43160745	TERMINAL BLOCK, 60A	1	1	1
707	43160746	LEAD ASSY, COMPRESSOR	1	1	1
708	43163087	SUPPORTER, ASSY	3	3	3
709	4316W062	PC BOARD ASSY, MCC-1706	1	1	1
710	4316W063	PC BOARD ASSY, MCC-1690	1	1	1
711	4316W064	PC BOARD ASSY, MCC-1779	1	1	1

12-3. Shut-off Valve unit

Model: RBM-SV1121HUPE, RBM-SV1801HUPE



Location No.	Part No.	Description	Q'ty/Set	
			RBM-SV****HUPE	
			1121	1801
1	43TN9650	PC BOARD ASSY, MCC-1771	1	1
2	43T46546	COIL, PMV, PAM-MD12TF-305	1	1
3	43T46548	COIL, PMV, PAM-MD12TF-306	1	1
4	43T60592	SERV-TERMINAL	1	1
5	43T96310	BUSHING	1	1
6	43T96309	BUSHING	1	1
7	43T00907	BODY ASSY, SERVICE	1	
7	43T00908	BODY ASSY, SERVICE		1