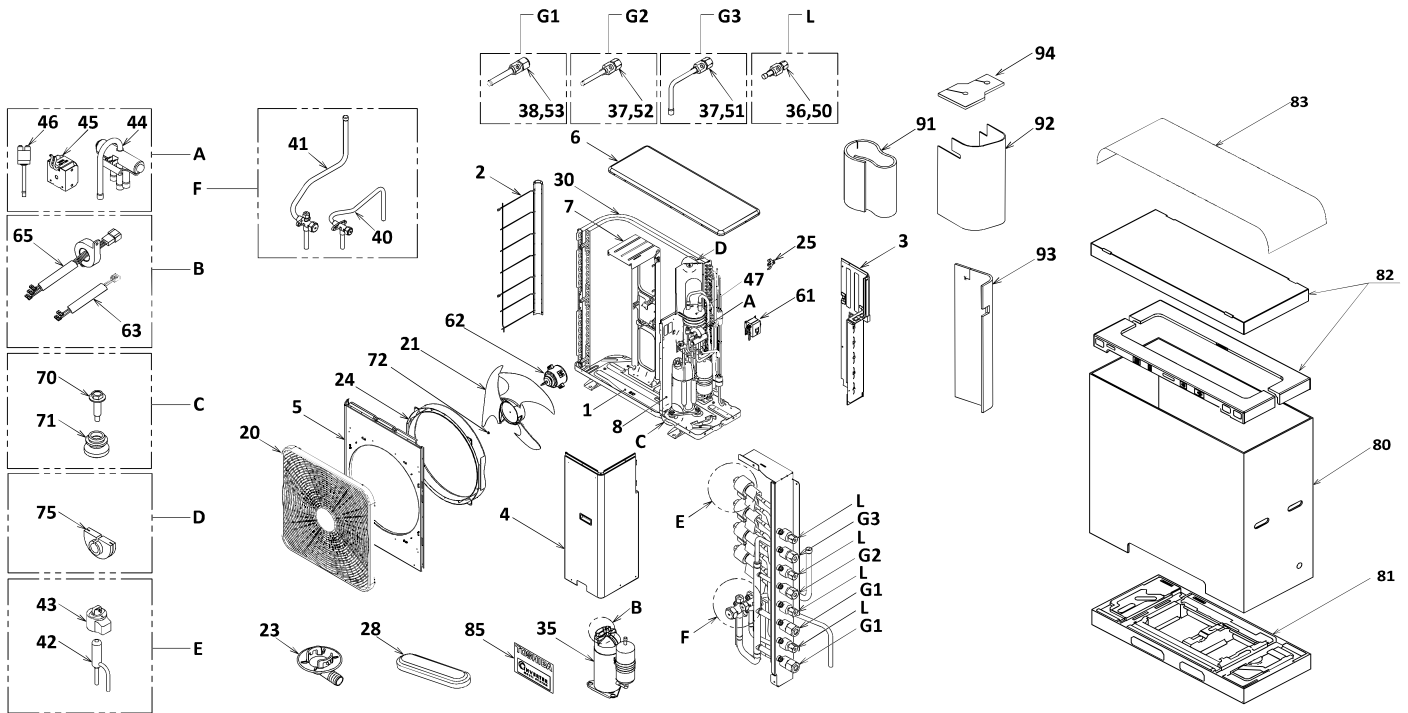


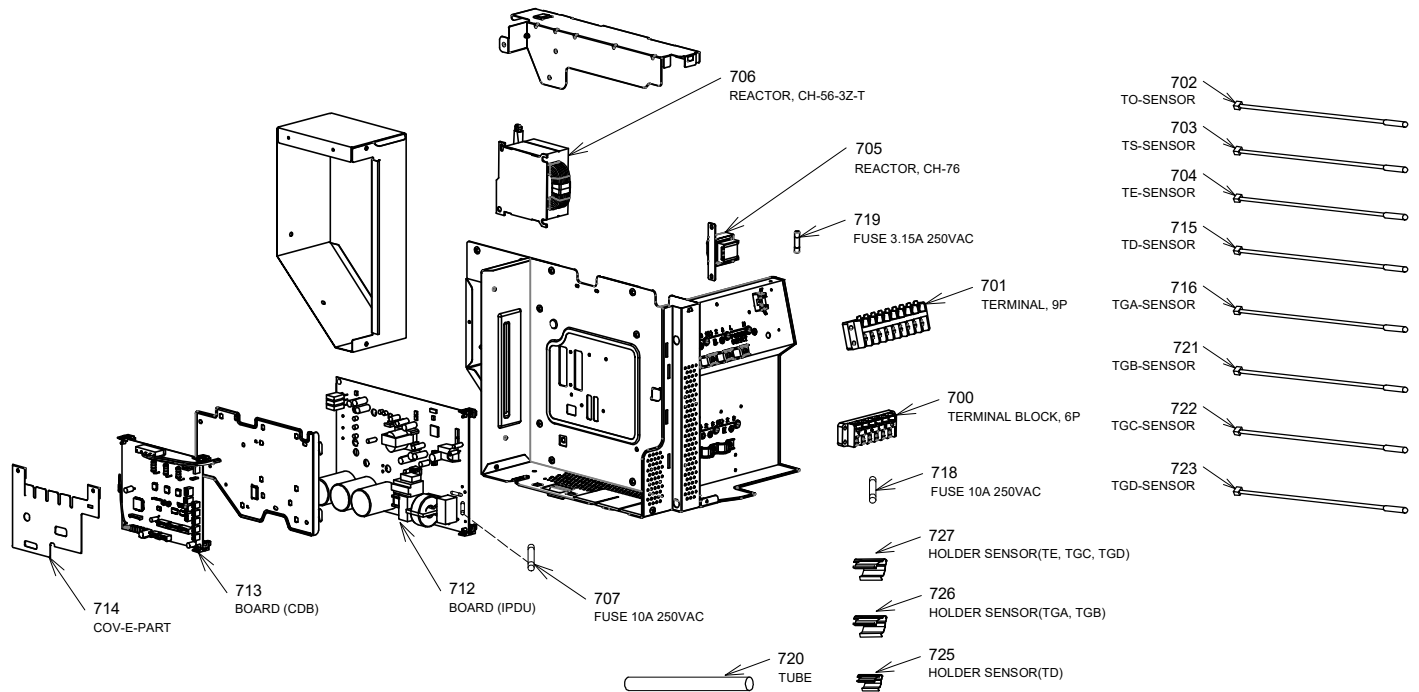
13. EXPLODED VIEWS AND PARTS LIST

13-1. Outdoor Unit



Location No.	Part No.	Description	Location No.	Part No.	Description
1	43T42396	BASE PLATE ASSEMBLY	45	43T63327	COIL-4WAY
2	43T19346	FIN GUARD ASSEMBLY	46	43T63381	HIGH PRESSURE SWITCH ASSEMBLY
3	43T00934	BACK CABINET ASSEMBLY	47	43T48310	ACCUMULATOR ASSEMBLY
4	43T00659	ASM-PANEL-FRONT	50	43T46561	SOCKET ASSEMBLY (6.35D)
5	43T00551	AIR OUTLET CABINET	51	43T46562	SOCKET ASSEMBLY (9.52D)
6	43T00803	UPPER CABINET ASSEMBLY	52	43T46563	SOCKET ASSEMBLY (9.52D)
7	43T39342	MOTOR BASE	53	43T46564	SOCKET ASSEMBLY (12.7D)
8	43T04505	PARTITION ASSEMBLY	61	43T58307	REACTOR
20	43T19372	FAN GUARD(TOSHIBA)	62	43T21517	FAN-MOTOR (SDM-340-60)
21	43T20329	PROPELLER FAN	63	43T50343	COMPRESSOR THERMOSTAT ASSEMBLY
23	43T79325	DRAIN NIPPLE	65	43T60620	LEAD ASSY, COMPRESSOR
24	43T22313	BELLMOUTH	70	43T47354	BOLT COMPRESSOR (M6)
25	43T63376	HOLDER, SENSOR	71	43T49327	CUSHION,RUBBER
28	43089160	CAP, WATERPROOF	72	43T47001	NUT FLANGE
30	43T43593	CONDENSER ASSEMBLY	75	43T96305	BUSHING
35	43T41551	COMPRESSOR	80	43T91323	CARTON-BOX
36	43T47403	BONNET, 6.35 DIA	81	43T91318	FIBERBOARD UNDER ASSEMBLY
37	43T47404	BONNET, 9.52 DIA	82	43T91324	FIBERBOARD UPPER ASSEMBLY
38	43T47405	BONNET, 12.7 DIA	83	43T91301	PE SHEET
40	43T46565	VALVE PACKED ASSEMBLY, 9.52DIA	85	43T85591	MARK-T
41	43T46566	VALVE PACKED ASSEMBLY, 12.7DIA	91	43T04431	INSULATION SOUND INSIDE
42	43T46439	BODY-PMV	92	43T04482	SOUND INSULATION FRONT
43	43T46440	COIL-PMV	93	43T04483	SOUND INSULATION BACK
44	43T46424	4 WAY VALVE	94	43T04416	SOUND INSULATION(UP)

13-2. Inverter Assembly



Location No.	Part No.	Description	Location No.	Part No.	Description
700	43T60423	SERV-TERMINAL	716	43T50441	SENSOR-TEMP
701	43T60452	SERV-TERMINAL	718	43T60600	FUSE
702	43T50439	SENSOR-TEMP	719	43T60361	FUSE
703	43T50440	SENSOR-TEMP	720	43T62401	TUBE
704	43T50385	TEMPERATURE SENSOR,TE	721	43T50442	SENSOR-TEMP
705	43T58341	REACTOR	722	43T50443	SENSOR-TEMP
706	43T58307	REACTOR	723	43T50444	SENSOR-TEMP
707	43T60621	FUSE	725	43T63317	HOLDER,SENSOR
712	43TN9934	PC BOARD (IPDU)	726	43T63323	HOLDER,SENSOR
713	43TN9931	PC BOARD (CDB)	727	43T63316	HOLDER,SENSOR
714	43T62410	COV-E-PART			
715	43T50346	TEMPERATURE SENSOR			