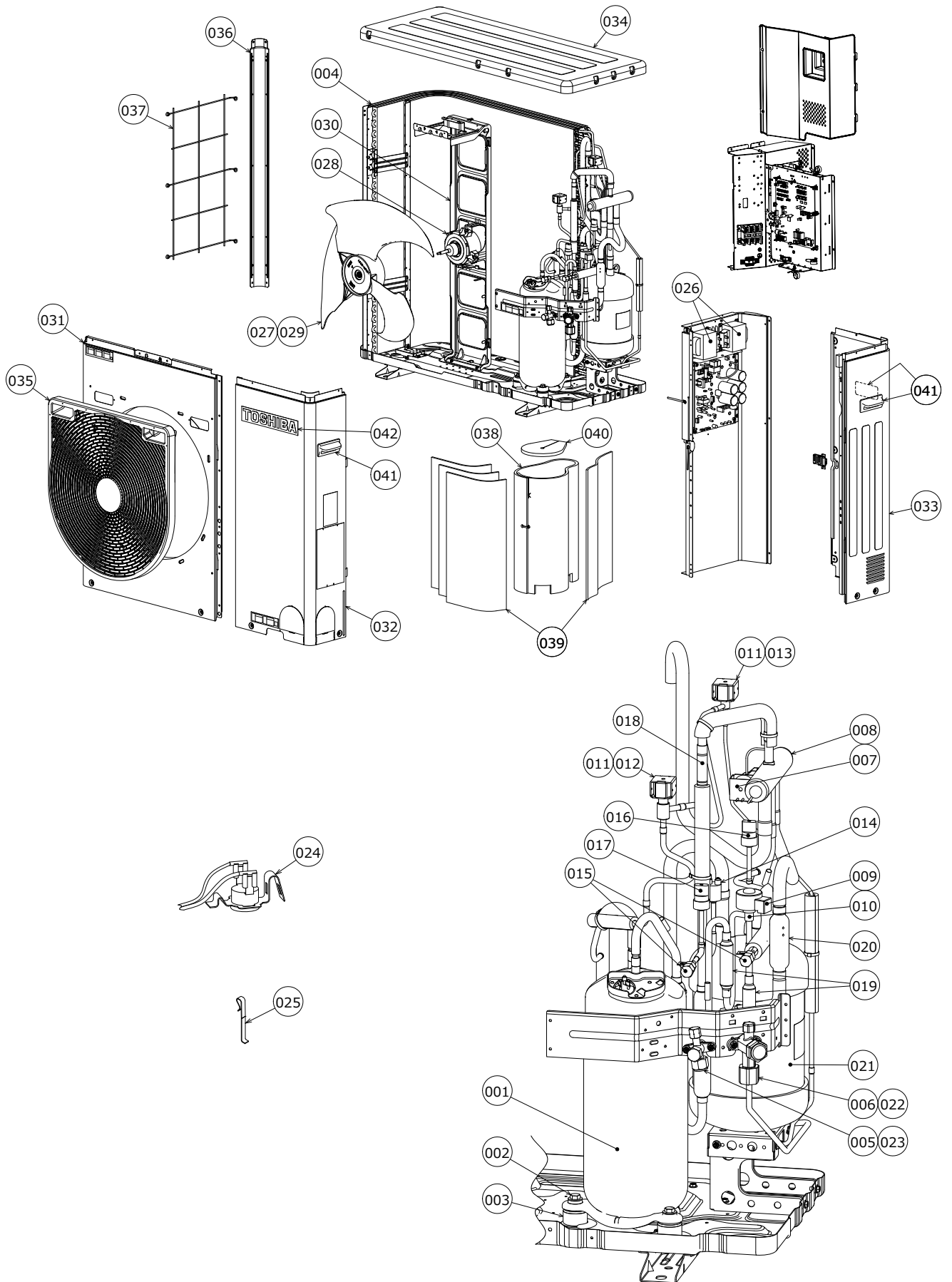
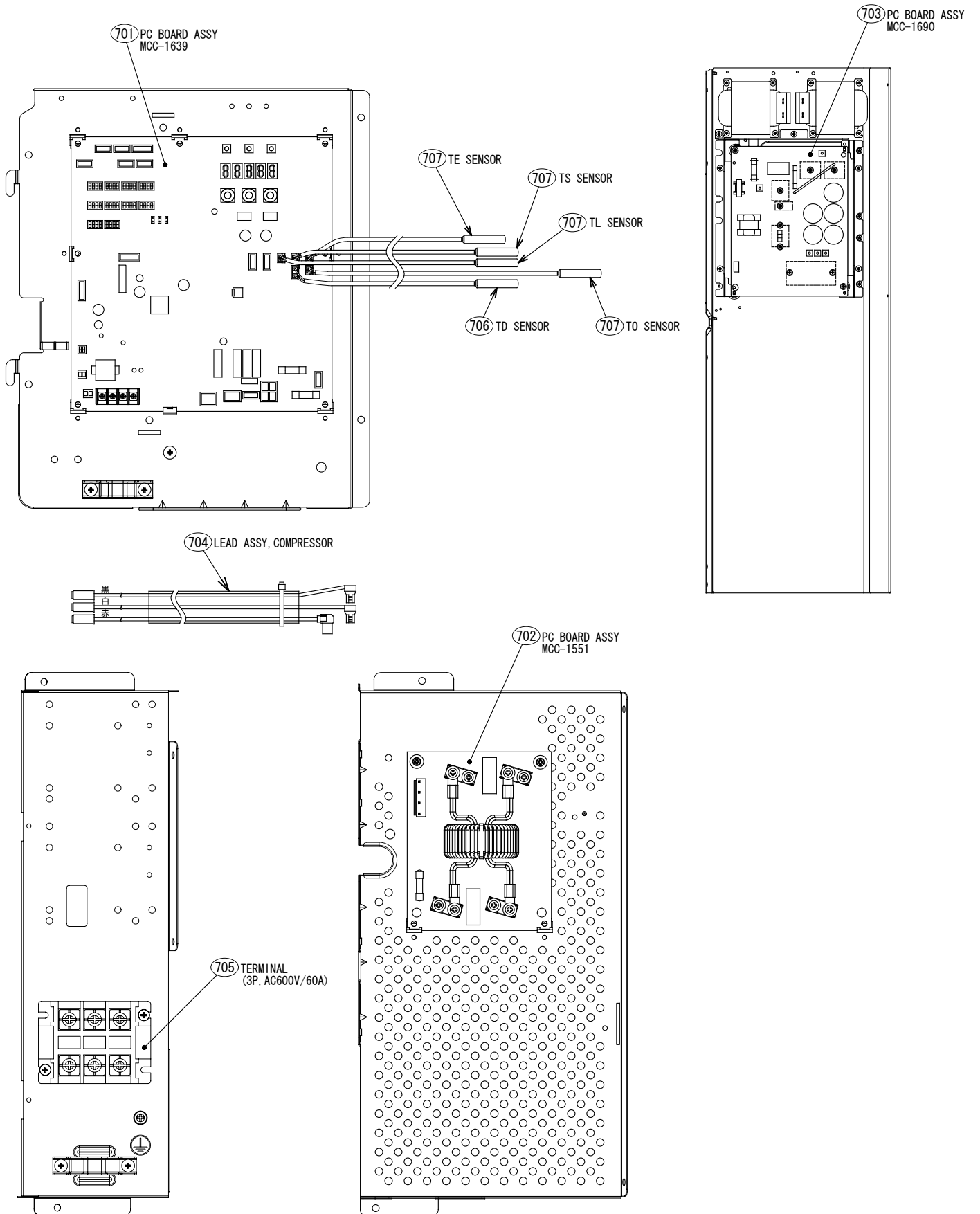


12 Exploded diagram / parts list



Ref.No.	Part No.	Description	Q'ty/Set MCY-MHP		
			0506HT-C*, 0506HT	0606HT-C*, 0606HT	0406HT-E, 0506HT-E
001	43H41502	COMPRESSOR, DA422A3T-20MD1	1	1	1
002	43H97003	BOLT, COMPRESSOR	3	3	3
003	43H42002	RUBBER, CUSHION	3	3	3
004	43H43016	CONDENSER ASSY	1	1	1
005	43H46027	VALVE, PACKED, 9.52DIA	1	1	1
006	43H46050	VALVE, PACKED, 15.88DIA	1		1
	43H46054	VALVE, PACKED, 19.05DIA		1	
007	43H46045	COIL, 4WAY	1	1	1
008	43H46055	VALVE, 4WAY	1	1	1
009	43H46048	COIL, PMV	1	1	1
010	43H46049	BODY, PMV	1	1	1
011	43H46016	COIL, 2WAY	2	2	2
012	43H46017	VALVE, 2WAY, FDF3A06	1	1	1
013	43H46018	VALVE, 2WAY, FDF2A88	1	1	1
014	43H51004	SWITCH, PRESSURE ACB-4UB154W	1	1	1
015	43H46019	JOINT, CHECK	2	2	2
016	43151313	SENSOR ASSY, LOW PRESSURE	1	1	1
017	43151314	SENSOR ASSY, HIGH PRESSURE	1	1	1
018	43H46035	VALVE, CHECK	1	1	1
019	43H47003	STRAINER, 19.05DIA	2	2	2
020	43H47014	STRAINER, 28.58DIA	1	1	1
021	43H48010	ACCUMULATOR	1	1	1
022	43H49025	BONNET, 3/4 IN		1	
	43H47017	BONNET, 5/8 IN	1		1
023	43H47016	BONNET, 3/8 IN	1	1	1
024	43H50013	THERMOSTAT, COMPRESSOR	1	1	1
025	43H19010	HOLDER, SENSOR (TS)	4	4	4
026	43H58005	REACTOR, CH-57-DN	2	2	2
027	43H97006	NUT, FLANGE	1	1	1
028	43H21003	MOTOR, FAN, WDF-340-A100-1	1	1	1
029	43H20012	FAN, PROPELLER, PP501	1	1	1
030	43H22017	BASE, ASSY, MOTOR	1	1	1
031	43H00031	PANEL, ASSY, OUT	1	1	1
032	43H00032	PANEL, ASSY, FRONT, LOWER	1	1	1
033	43H02005	PANEL, ASSY, SIDE, LOWER	1	1	1
034	43H00033	PANEL, ASSY, TOP	1	1	1
035	43H19004	GUARD, FAN	1	1	
	43H190014	GUARD FAN			1
036	43H19013	PLATE, STAY	1	1	1
037	43H07004	GUARD, FIN, SIDE	1	1	1
038	43H11013	INSULATOR, SOUND, INNER	1	1	1
039	43H11008	INSULATOR, SOUND, OUTER, SMALL	4	4	4
040	43H07005	HANDLE	3	3	3
041	43H15002	MARK, TOSHIBA	1	1	1

Inverter assembly



Ref.No.	Part No.	Description	Q'ty/Set MCY-MHP		
			0506HT-C*, 0506HT	0606HT-C*, 0606HT	0406HT-E, 0506HT-E
701	43H69200	PC BOARD ASSY, INTERFACE, MCC-1639	1	1	1
702	43H69012	PC BOARD ASSY, NOISE-FILTER, MCC-1551	1	1	1
703	43H69201	PC BOARD ASSY, IPDU, MCC-1690	1	1	1
704	43H60001	LEAD ASSY, COMPRESSOR	1	1	1
705	43H60011	TERMINAL, 3P (AC600V/60A)	1	1	1
706	43H50002	SENSOR, TD	1	1	1
707	43H50005	SENSOR	4	4	4