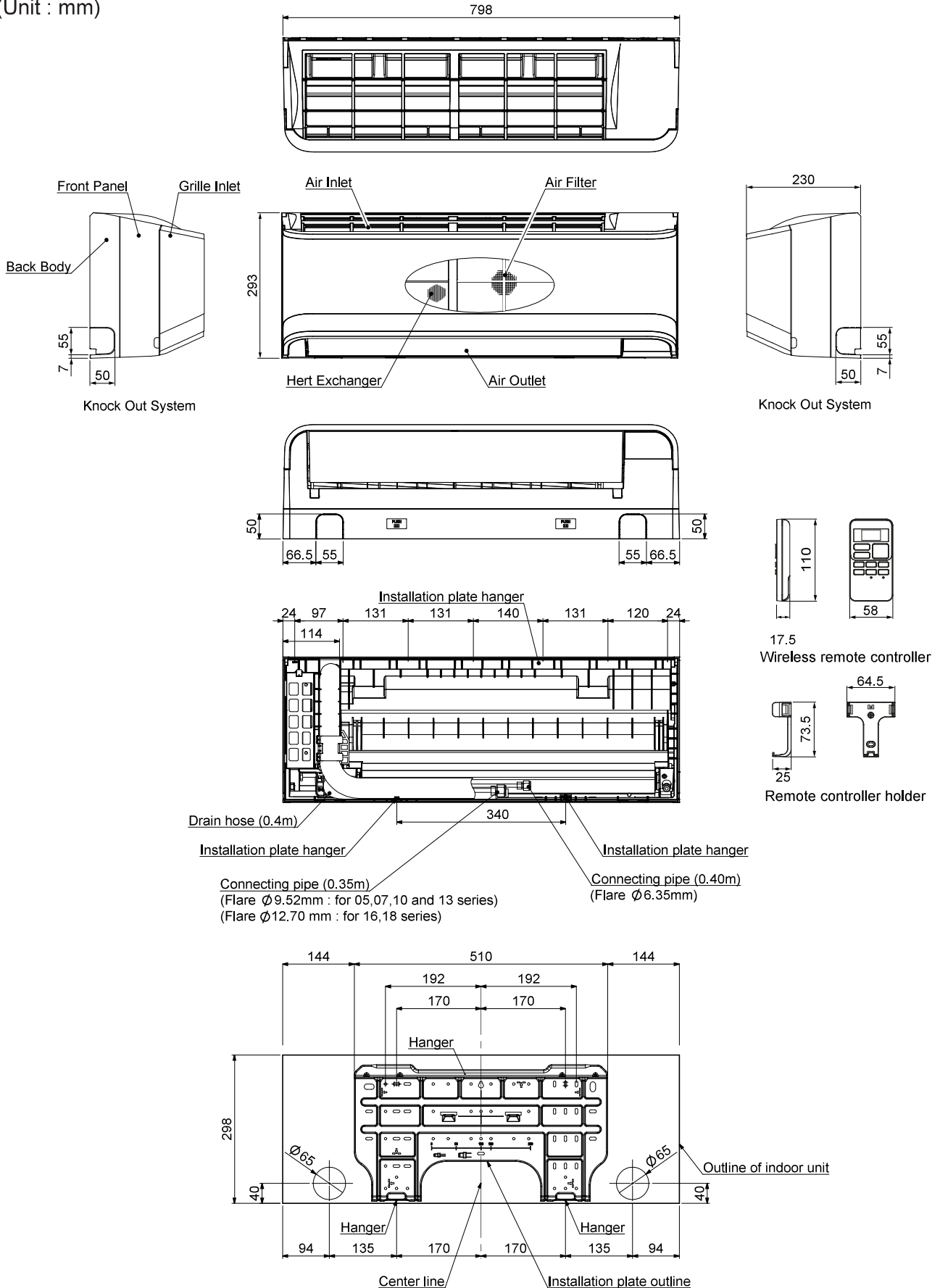


3. Dimension

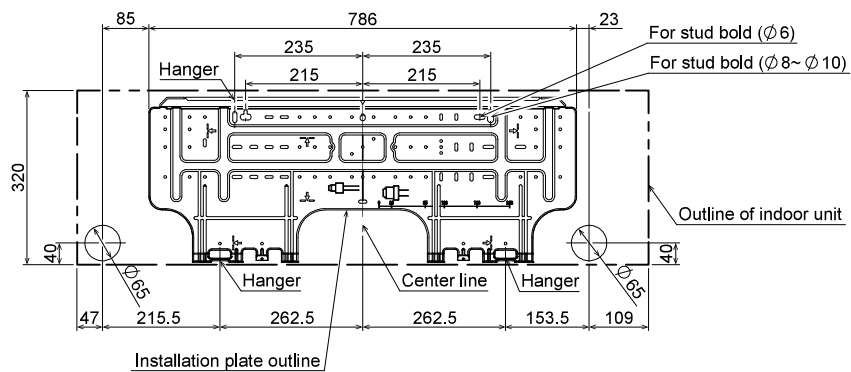
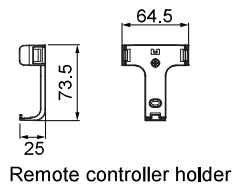
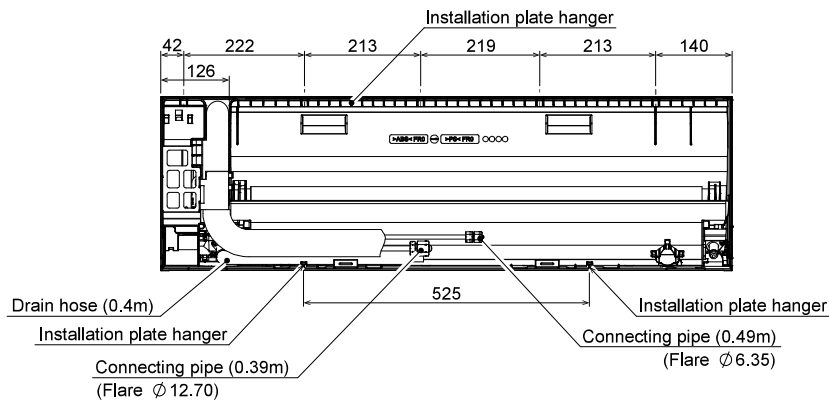
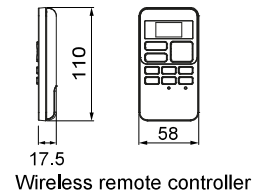
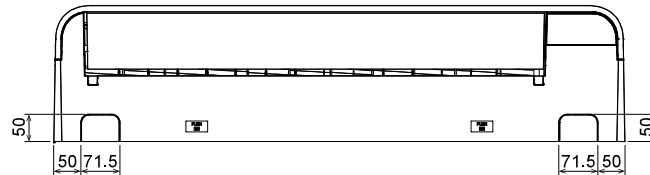
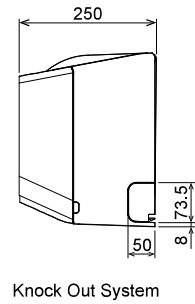
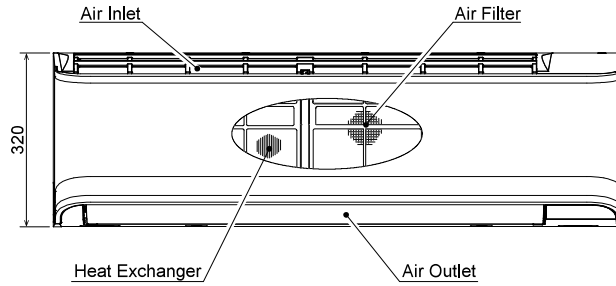
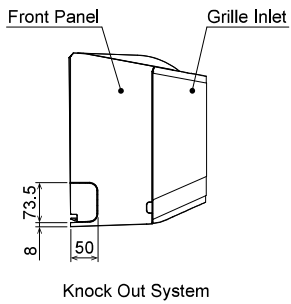
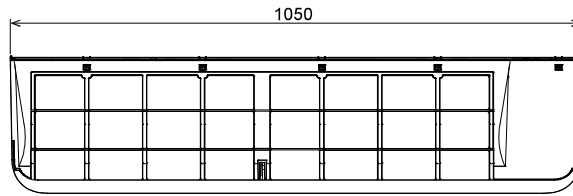
Indoor Unit : RAS-B05J2KVG-E/UA, RAS-B07J2KVG-E/UA, RAS-B10J2KVG-E/UA, RAS-B13J2KVG-E/UA, RAS-B16J2KVG-E/UA, RAS-18J2KVG-E/UA/TR, RAS-05J2KVG-TR, RAS-07J2KVG-TR, RAS-10J2KVG-TR, RAS-13J2KVG-TR, RAS-16J2KVG-TR

(Unit : mm)



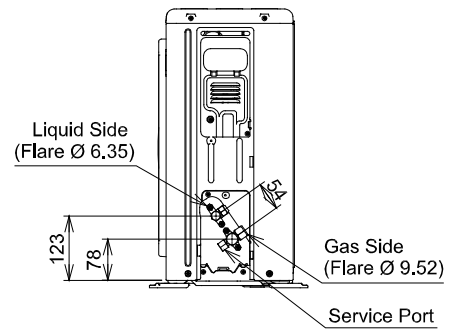
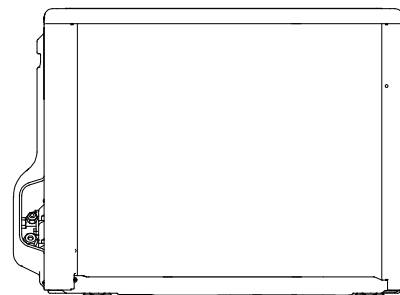
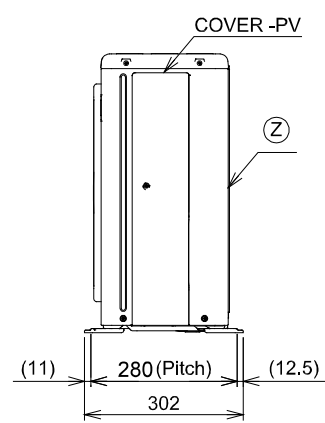
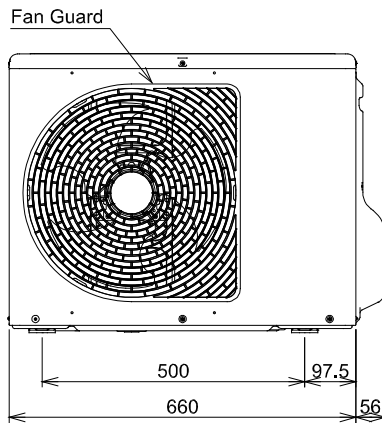
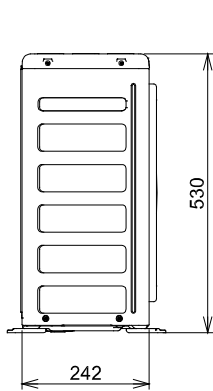
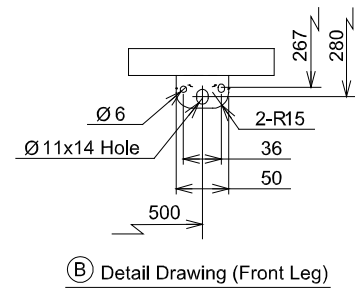
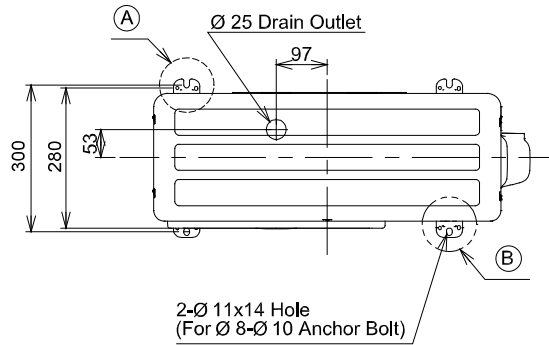
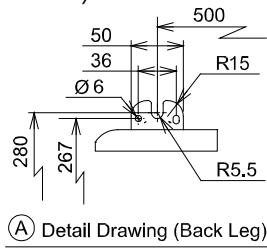
Indoor Unit : RAS-24J2KVG-E/UA/TR

(Unit : mm)

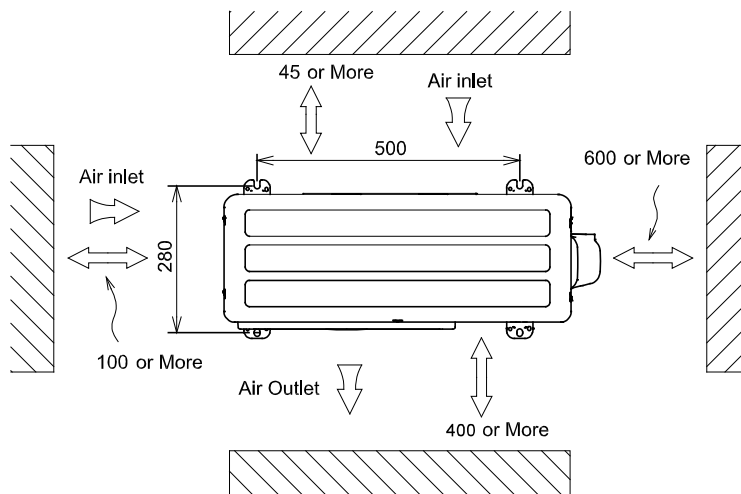


Outdoor Unit : RAS-05J2AVG-E/UA/TR, RAS-07J2AVG-E/UA/TR, RAS-10J2AVG-E/UA/TR, RAS-13J2AVG-E/UA/TR

(Unit : mm)



Installation Dimension



(Z) View

Outdoor Unit : RAS-16J2AVG-E/UA/TR, RAS-18J2AVG-E/UA/TR,
RAS-24J2AVG-E/UA/TR

(Unit : mm)

