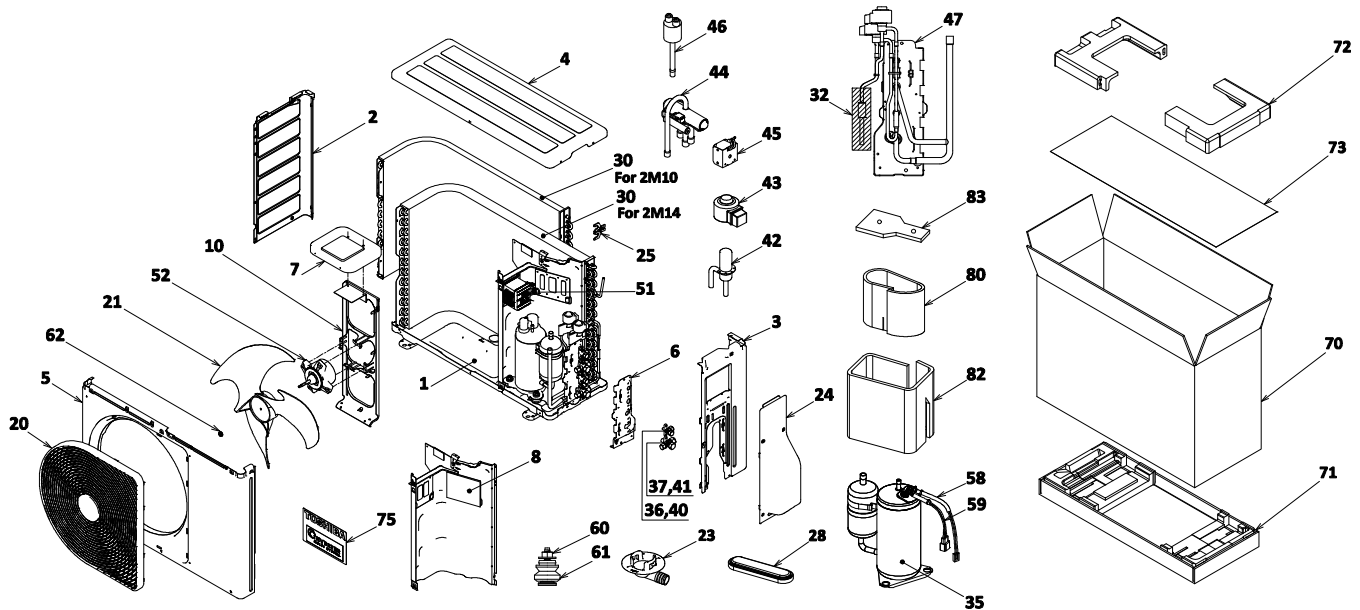


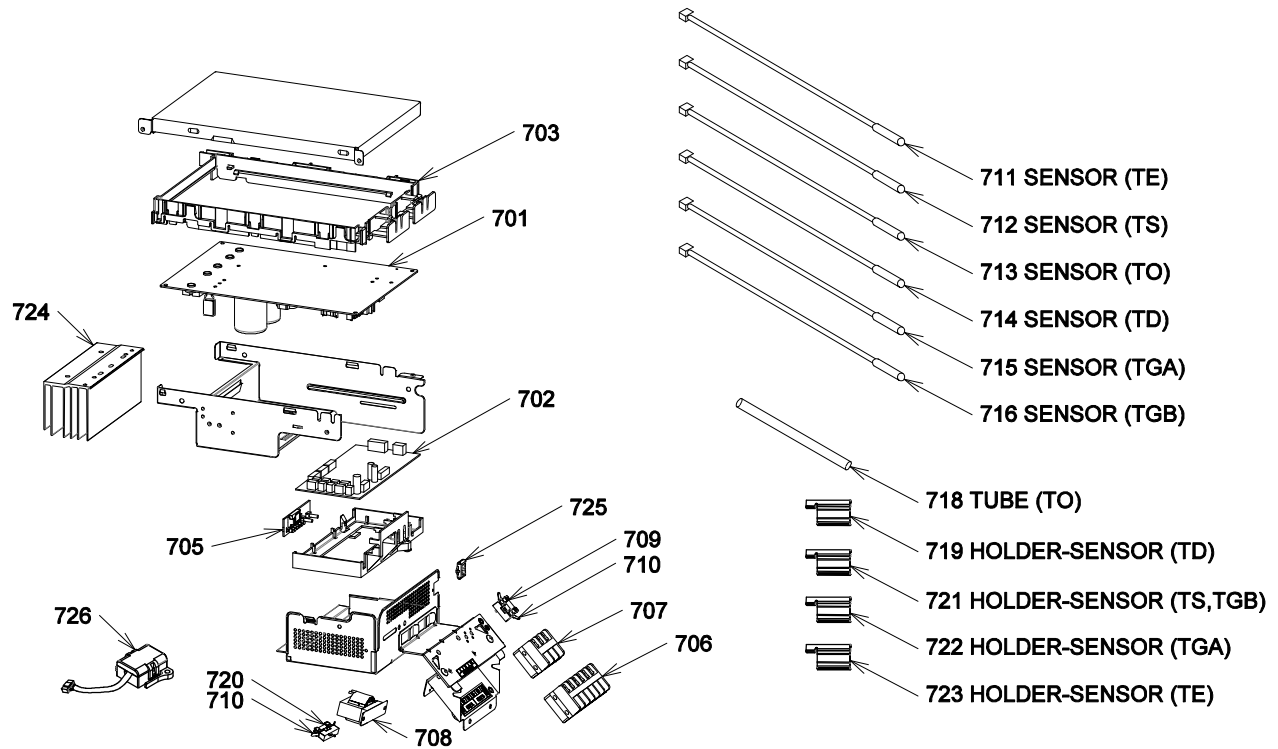
13. EXPLODED VIEWS AND PARTS LIST

13-1. Outdoor Unit



Location No.	Part No.	Description	Location No.	Part No.	Description
1	43T42382	BASE PLATE ASSEMBLY	36	43T47403	BONNET, 6.35 DIA
2	43T00459	LEFT CABINET	37	43T47404	BONNET, 9.52 DIA
3	43T00772	RIGHT CABINET ASSEMBLY	40	43T46358	VALVE;PACKED 6.35 DIA
4	43T00735	UPPER CABINET ASSEMBLY	41	43T46366	VALVE;PACKED 9.52 DIA
5	43T00688	FRONT CABINET ASSEMBLY	42	43T46534	BODY-PMV
6	43T00773	FIXING PLATE VALVE	43	43T46535	COIL-PMV
7	43T39333	MOTOR BASE CONNECTION PLATE	44	43T46367	4 WAY VALVE
8	43T04367	GUIDE WIND PARTITION ASSEMBLY (FOR RAS-2M14G3AVG-E,-TR)	45	43T63327	COIL-4WAY
8	43T04496	GUIDE WIND PARTITION ASSEMBLY (FOR RAS-2M10G3AVG-E,-TR)	46	43T63381	HIGH PRESSURE SWITCH ASSEMBLY
10	43T39393	MOTOR BASE	47	43T45321	GENERAL ASSY PLATE FIXING
20	43T19364	FAN GUARD	51	43T58309	REACTOR
21	43T20319	PROPELLER FAN	52	43T21493	MOTOR FAN ASSEMBLY
23	43T79325	DRAIN NIPPLE	58	43T50438	TEMPERATURE SENSOR
24	43T19348	PACKED VALVE COVER	59	43T60497	LEAD ASSY, COMPRESSOR
25	43T63376	HOLDER, SENSOR	60	43T97001	NUT
28	43089160	CAP, WATERPROOF	61	43T49327	CUSHION,RUBBER
30	43T43680	CONDENSER ASSEMBLY (FOR RAS-2M10G3AVG-E,-TR)	62	43T47001	NUT FLANGE
30	43T43681	CONDENSER ASSEMBLY (FOR RAS-2M14G3AVG-E,-TR)	70	43T91312	CARTON BOX
32	43T49400	BUTYL-RUBBER	71	43T91309	ASM-FBBRD-UD
35	43T41572	COMPRESSOR (FOR RAS-2M14G3AVG-E,-TR)	72	43T91314	CUSHION-PKG-UPR
35	43T41585	COMPRESSOR (FOR RAS-2M10G3AVG-E,-TR)	73	43T91301	PE SHEET
			75	43T85591	MARK-T
			80	43T04402	INSULATION SOUND INSIDE
			82	43T04401	INSULATION SOUND OUTSIDE
			83	43T04416	SOUND INSULATION(UP)

13-2. Inverter Assembly



Location No.	Part No.	Description	Location No.	Part No.	Description
701	43TN9833	ASM-L-PCB (FOR RAS-2M10G3AVG-E,-TR)	711	43T50352	TEMPERATURE SENSOR
701	43TN9834	ASM-L-PCB (FOR RAS-2M14G3AVG-E,-TR)	712	43T50336	TEMPERATURE SENSOR
702	43TN9837	PC BOARD ASSY (FOR RAS-2M10G3AVG-E,-TR)	713	43T50360	TC-SENSOR(TO)
702	43TN9838	PC BOARD ASSY (FOR RAS-2M14G3AVG-E,-TR)	714	43T50334	TEMPERATURE SENSOR
703	43T62313	PC PLATE BASE	715	43T50361	SENSOR-TEMP
705	43TN9875	PC BOARD ASSY(LED)	716	43T50362	SENSOR-TEMP
706	43T60423	SERV-TERMINAL	718	43T62401	TUBE
707	43T60354	TERMINAL;BLOCK 3P	719	43T63317	HOLDER,SENSOR
708	43T58341	REACTOR	720	43T60361	FUSE
709	43T60426	FUSE	721	43T63316	HOLDER,SENSOR
710	43T60564	HOLDER-FUSE	722	43T63323	HOLDER,SENSOR
			723	43T63318	HOLDER SENSOR
			724	43T67315	HEAT SINK
			725	43T62015	PROTECTOR; CORD
			726	43T61366	ASM-DYNA