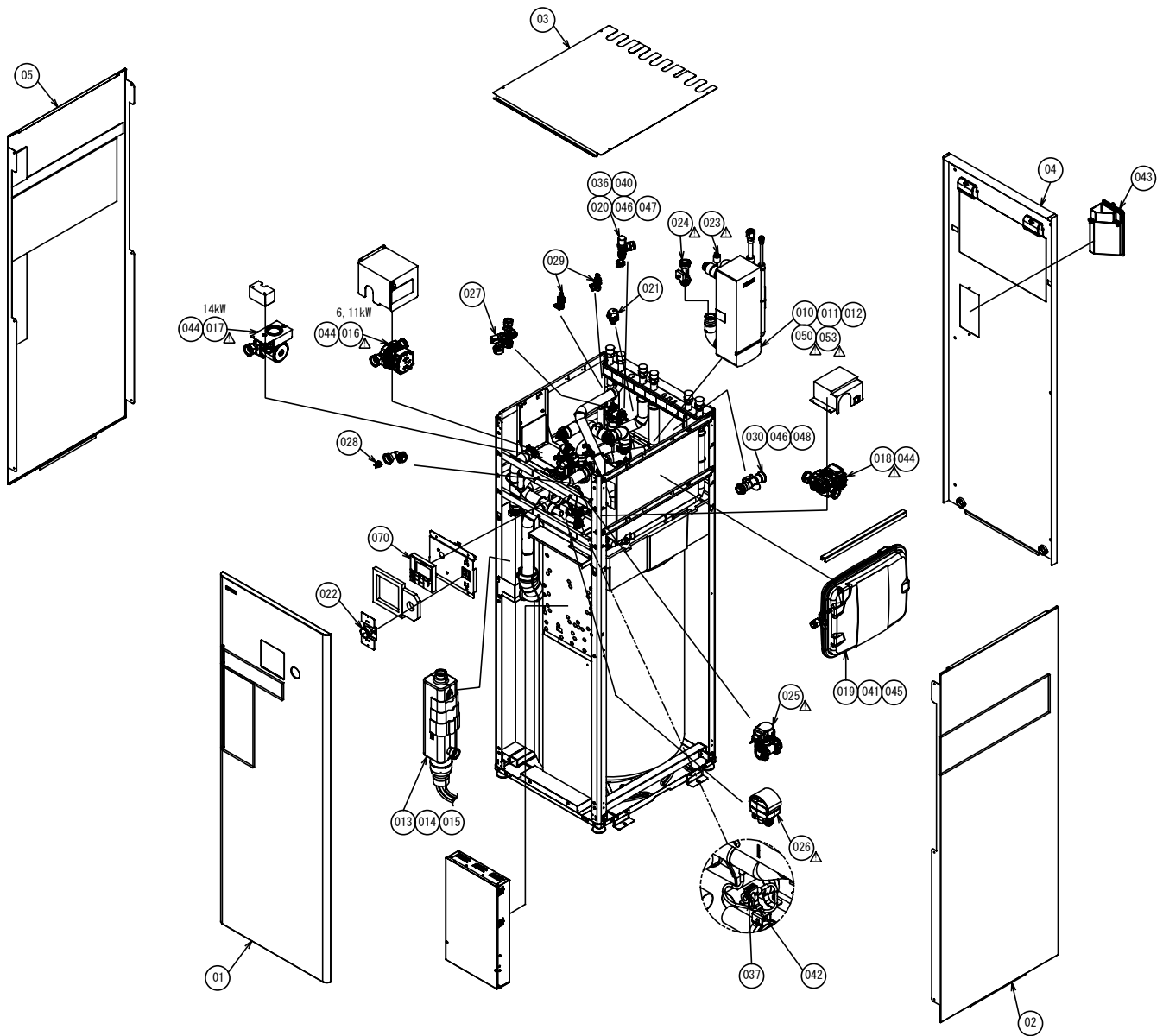
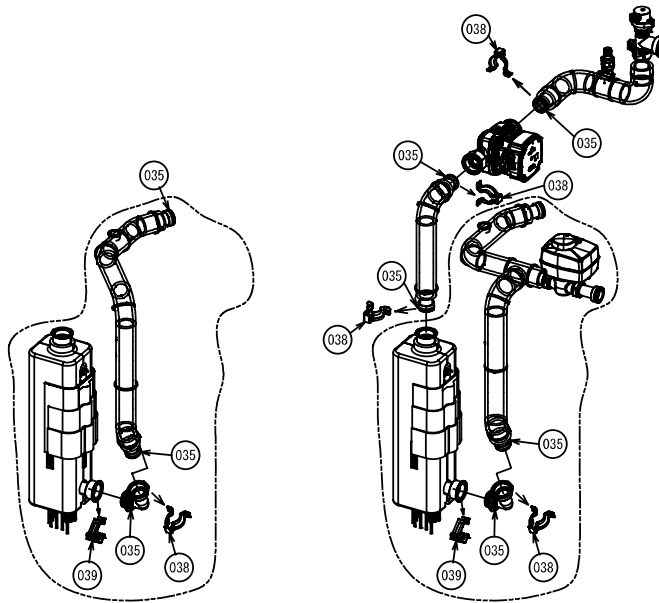
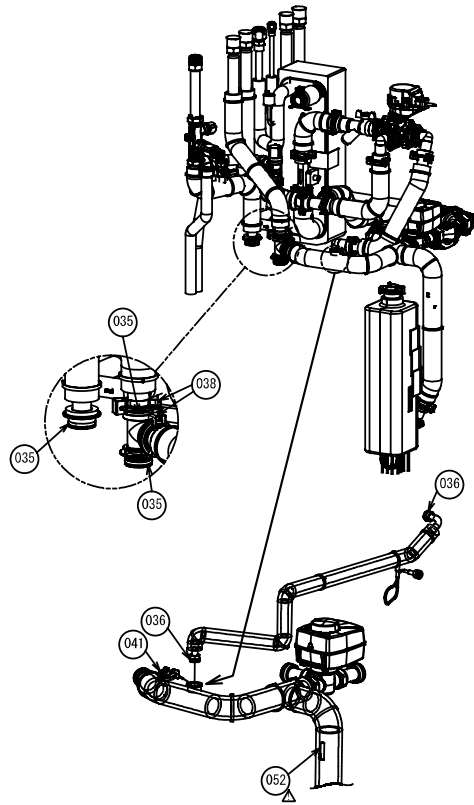


14 Part exploded view, part list

Hydro Unit



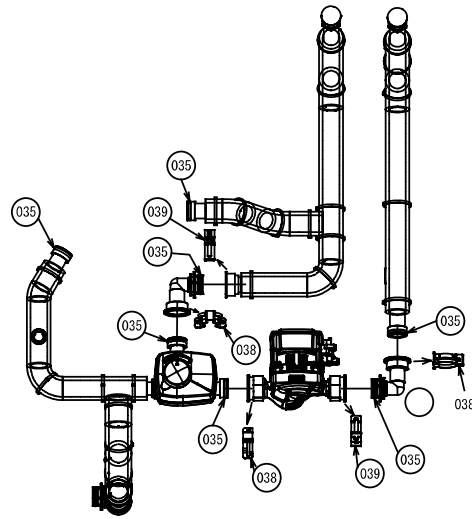
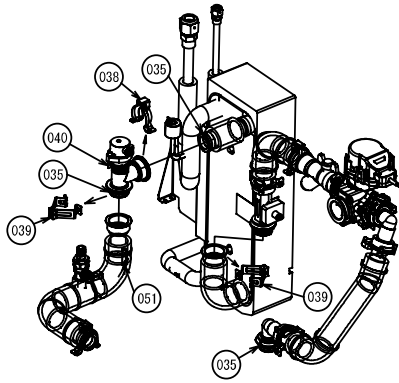
Hydro Unit



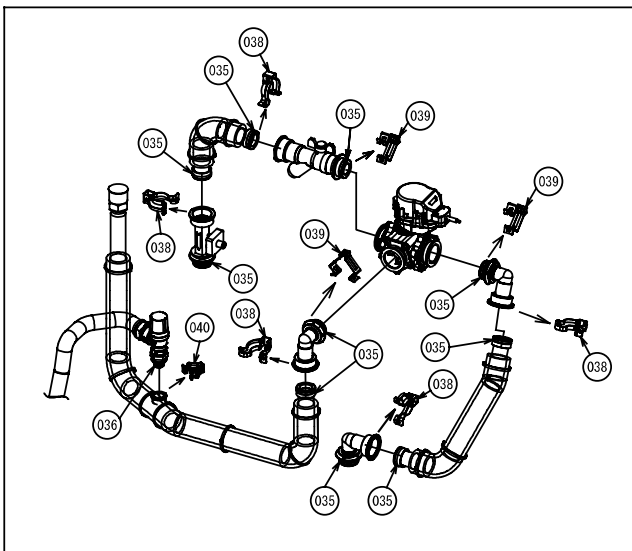
1 zone

2 zone

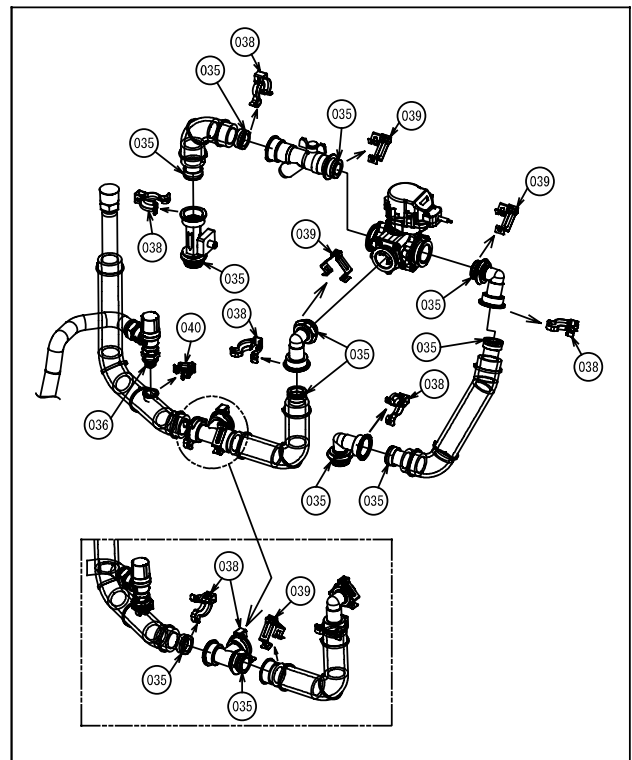
Hydro Unit
Electric BOX(E-BOX) Assembly



2 zone

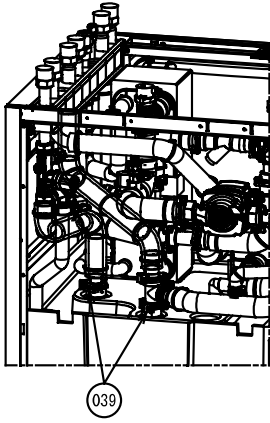


1 zone

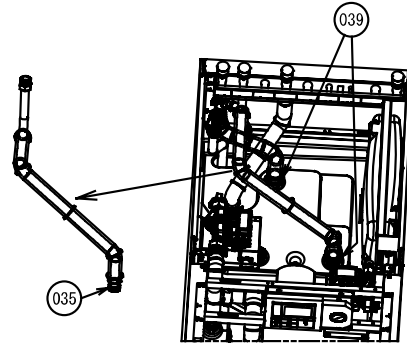


2 zone

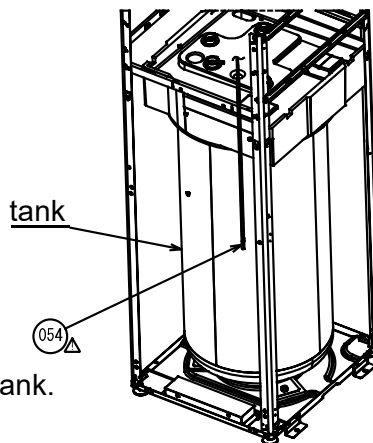
Hydro Unit



Left side view

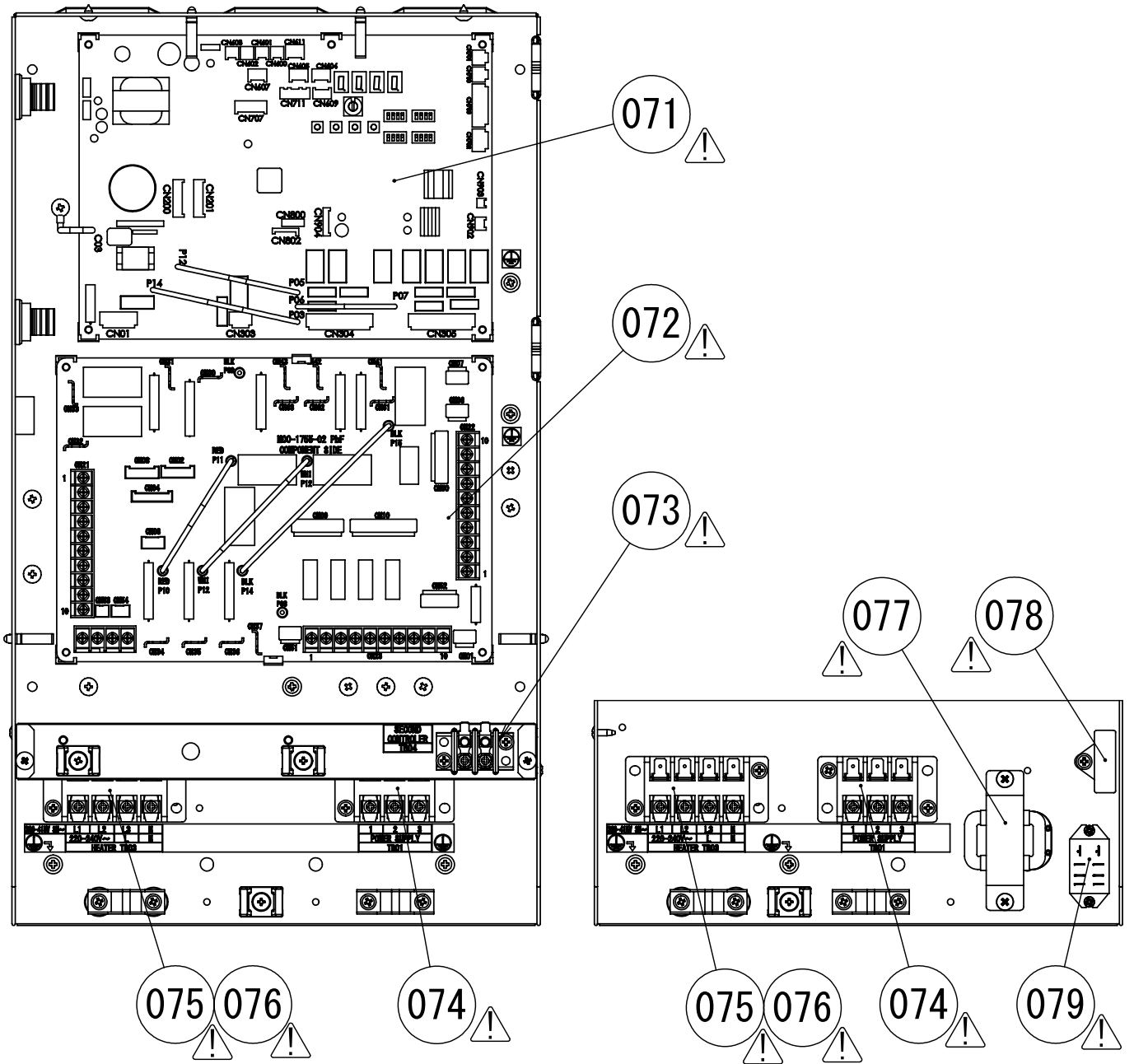


Front view



the sensor is in the tank.

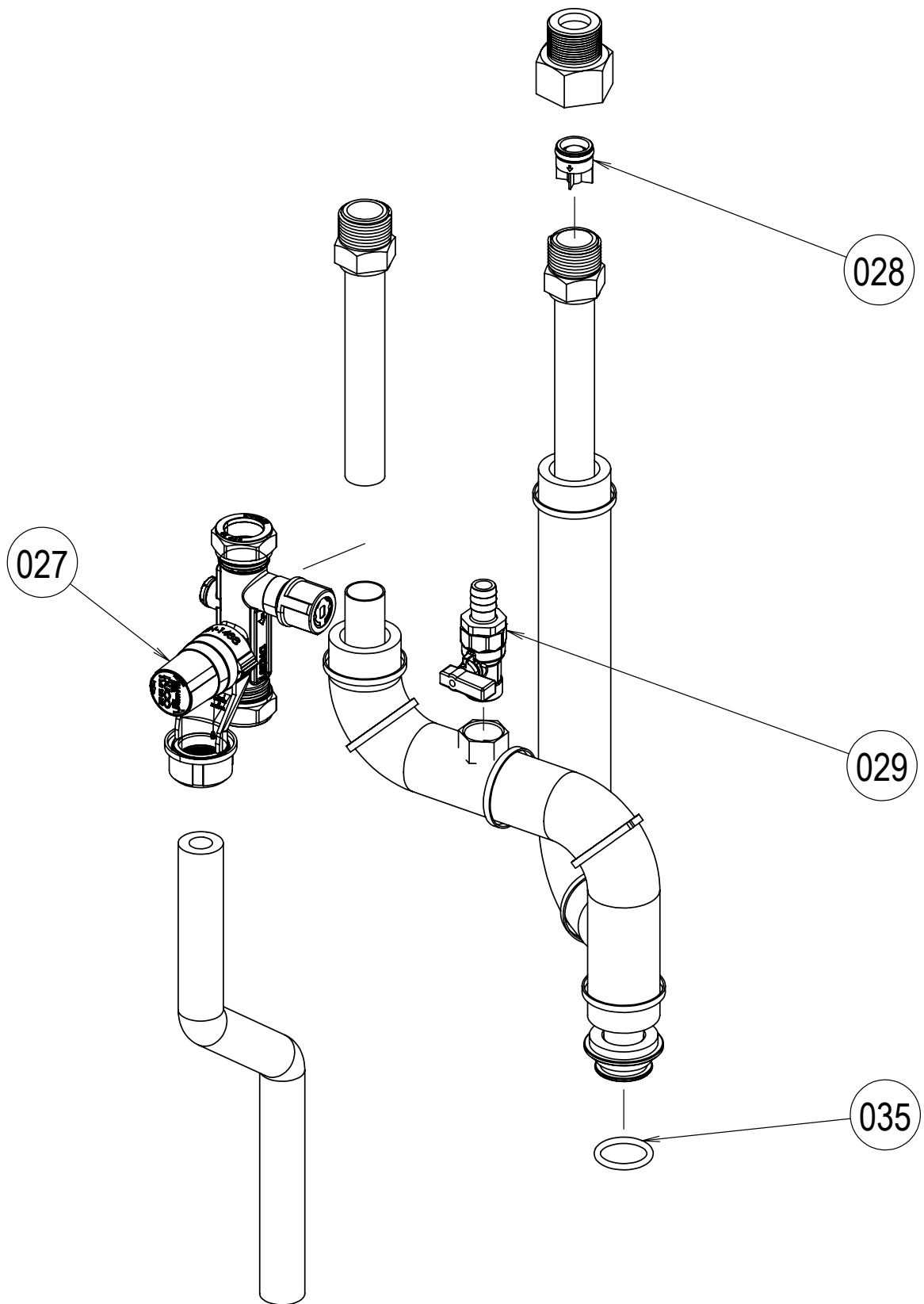
Hydro Unit
Electric BOX(E-BOX) Assembly



HWT-602S21*W-E / TR**
HWT-1102S21*W-E / TR**

HWT-1402S21*W-E / TR**

HWS-CPR01W-E



HWT-602S21*W-E / TR**

Safety	Location No.	Part No.	Description	Number of pieces per unit (HWT-)					
				602S21SM3W-E / TR	602S21MM3W-E / TR	602S21SM6W-E / TR	602S21MM6W-E / TR	602S21ST6W-E / TR	602S21MT6W-E / TR
	001	43P00025	PANEL,FRONT, ASSY	1	1	1	1	1	1
	002	43P00021	PANEL, RIGHT SIDE, ASSY	1	1	1	1	1	1
	003	43P00022	PANEL, TOP	1		1		1	
		43P00023	PANEL, TOP		1		1		1
	004	43P00026	PANEL, BACK, ASSY	1	1	1	1	1	1
	005	43P00024	PANEL, LEFT SIDE, ASSY	1	1	1	1	1	1
⚠	010	43P44004	HEAT EXCHANGER, PIPE ASSY	1	1	1	1	1	1
⚠	013	43P57007	HEATER ASSY, 3KW	1	1				
⚠	014	43P57008	HEATER ASSY, 6KW			1	1	1	1
⚠	016	43P77003	PUMP, WATER, ASSY	1	1	1	1	1	1
⚠	018	43P77005	PUMP, WATER, ASSY		1		1		1
	019	43P48005	VESSEL, EXPANSION, ASSY	1	1	1	1	1	1
	020	43P46040	VALVE, OVER PRESSURE, ASSY	1	1	1	1	1	1
	021	43P79006	VALVE, AIR VENT	1	1	1	1	1	1
	022	43P49001	METER, PRESSURE, ASSY	1	1	1	1	1	1
⚠	023	43P51010	SENSOR, PRESSURE, NSK-BH010J-872	1	1	1	1	1	1
⚠	024	43P50025	SENSOR, FLOW, ASSY	1	1	1	1	1	1
	025	43P46036	VALVE, 3WAY, ASSY	1	1	1	1	1	1
	026	43P46041	VALVE, MIXING, ASSY	1	1	1	1	1	1
	027	43P46037	VALVE, SAFETY, ASSY	1	1	1	1	1	1
	028	43P46038	VALVE, CHECK	1	1	1	1	1	1
	029	43P46039	VALVE, DRAIN	2	2	2	2	2	2
	030	43P47005	VALVE, STRAINER	1	1	1	1	1	1
	035	43P95006	RING,O	22	30	22	30	22	30
	036	43P95007	RING,O	3	3	3	3	3	3
	037	43P95008	RING,O	1	1	1	1	1	1
	038	43P79011	FASTENER,QUICK	12	17	12	17	12	17
	039	43P79012	FASTENER,QUICK	10	13	10	13	10	13
	040	43P79013	FASTENER,QUICK	2	2	2	2	2	2
	041	43P79014	FASTENER,QUICK	2	2	2	2	2	2
	042	43P79015	FASTENER,QUICK	1	1	1	1	1	1
	043	43P79016	JOINT,DRAIN	1	1	1	1	1	1
	044	43P95005	GASKET	2	4	2	4	2	4
	045	43P95009	GASKET	1	1	1	1	1	1
	046	43P95010	GASKET	2	2	2	2	2	2
	047	43P95011	GASKET	1	1	1	1	1	1
	048	43P95012	GASKET	1	1	1	1	1	1

HWT-602S21*W-E / TR**

Safety	Location No.	Part No.	Description	Number of pieces per unit (HWT-)					
				602S21SM3W-E / TR	602S21MM3W-E / TR	602S21SM6W-E / TR	602S21MM6W-E / TR	602S21ST6W-E / TR	602S21MT6W-E / TR
⚠	050	43D50004	SENSOR, TWI	1	1	1	1	1	1
⚠	051	43D50001	SENSOR, TWO	1	1	1	1	1	1
⚠	052	43D50002	SENSOR, THO	1	1	1	1	1	1
⚠	053	43D50005	SENSOR, TC	1	1	1	1	1	1
⚠	054	43P50024	SENSOR, TTW	1	1	1	1	1	1
⚠	055	43D50006	SENSOR, TFI	1	1	1	1	1	1
⚠	070	43P66001	REMOTE CONTROLLER	1	1	1	1	1	1
⚠	071	43P69024	PC BOARD ASSY, MCC1753	1	1	1	1	1	1
⚠	072	43P69015	PC BOARD ASSY, MCC1755	1	1	1	1	1	1
⚠	073	43P60004	TERMINAL, JXO-B2D	1	1	1	1	1	1
⚠	074	43P60002	TERMINAL BLOCK, 3P, 20A	1	1	1	1	1	1
⚠	075	43P60005	TERMINAL BLOCK, 4P	2	2	1	1	2	2
⚠	076	43P60003	TERMINAL BLOCK, 3P, 60A			1	1		

HWT-1102S21*W-E / TR**

Safety	Location No.	Part No.	Description	Number of pieces per unit (HWT-)							
				1102S21SM3W-E / TR	1102S21MM3W-E / TR	1102S21SM6W-E / TR	1102S21MM6W-E / TR	1102S21ST6W-E / TR	1102S21MT6W-E / TR	1102S21ST9W-E / TR	1102S21MT9W-E / TR
	001	43P00025	PANEL, FRONT, ASSY	1	1	1	1	1	1	1	1
	002	43P00021	PANEL, RIGHT SIDE, ASSY	1	1	1	1	1	1	1	1
	003	43P00022	PANEL, TOP	1		1		1		1	
		43P00023	PANEL, TOP		1		1		1		1
	004	43P00026	PANEL, BACK, ASSY	1	1	1	1	1	1	1	1
	005	43P00024	PANEL, LEFT SIDE, ASSY	1	1	1	1	1	1	1	1
⚠	011	43P44005	HEAT EXCHANGER, PIPE ASSY	1	1	1	1	1	1	1	1
⚠	013	43P57007	HEATER ASSY, 3KW	1	1						
⚠	014	43P57008	HEATER ASSY, 6KW			1	1	1	1		
⚠	015	43P57009	HEATER ASSY, 9KW							1	1
⚠	016	43P77003	PUMP, WATER, ASSY	1	1	1	1	1	1	1	1
⚠	018	43P77005	PUMP, WATER, ASSY		1		1		1		1
	019	43P48005	VESSEL, EXPANSION, ASSY	1	1	1	1	1	1	1	1
	020	43P46040	VALVE, OVER PRESSURE, ASSY	1	1	1	1	1	1	1	1
	021	43P79006	VALVE, AIR VENT	1	1	1	1	1	1	1	1
	022	43P49001	METER, PRESSURE, ASSY	1	1	1	1	1	1	1	1
⚠	023	43P51010	SENSOR, PRESSURE, NSK-BH010J-872	1	1	1	1	1	1	1	1
⚠	024	43P50025	SENSOR, FLOW, ASSY	1	1	1	1	1	1	1	1
	025	43P46036	VALVE, 3WAY, ASSY	1	1	1	1	1	1	1	1
	026	43P46041	VALVE, MIXING, ASSY	1	1	1	1	1	1	1	1
	027	43P46037	VALVE, SAFETY, ASSY	1	1	1	1	1	1	1	1
	028	43P46038	VALVE, CHECK	1	1	1	1	1	1	1	1
	029	43P46039	VALVE, DRAIN	2	2	2	2	2	2	2	2
	030	43P47005	VALVE, STRAINER	1	1	1	1	1	1	1	1
	035	43P95006	RING,O	22	30	22	30	22	30	22	30
	036	43P95007	RING,O	3	3	3	3	3	3	3	3
	037	43P95008	RING,O	1	1	1	1	1	1	1	1
	038	43P79011	FASTENER,QUICK	12	17	12	17	12	17	12	17
	039	43P79012	FASTENER,QUICK	10	13	10	13	10	13	10	13
	040	43P79013	FASTENER,QUICK	2	2	2	2	2	2	2	2
	041	43P79014	FASTENER,QUICK	2	2	2	2	2	2	2	2
	042	43P79015	FASTENER,QUICK	1	1	1	1	1	1	1	1
	043	43P79016	JOINT,DRAIN	1	1	1	1	1	1	1	1
	044	43P95005	GASKET	2	4	2	4	2	4	2	4
	045	43P95009	GASKET	1	1	1	1	1	1	1	1
	046	43P95010	GASKET	2	2	2	2	2	2	2	2
	047	43P95011	GASKET	1	1	1	1	1	1	1	1
	048	43P95012	GASKET	1	1	1	1	1	1	1	1

HWT-1102S21*W-E / TR**

Safety	Location No.	Part No.	Description	Number of pieces per unit (HWT-)							
				1102S21SM3W-E / TR	1102S21MM3W-E / TR	1102S21SM6W-E / TR	1102S21MM6W-E / TR	1102S21ST6W-E / TR	1102S21MT6W-E / TR	1102S21ST9W-E / TR	1102S21MT9W-E / TR
⚠	050	43D50004	SENSOR, TWI	1	1	1	1	1	1	1	1
⚠	051	43D50001	SENSOR, TWO	1	1	1	1	1	1	1	1
⚠	052	43D50002	SENSOR, THO	1	1	1	1	1	1	1	1
⚠	053	43D50005	SENSOR, TC	1	1	1	1	1	1	1	1
⚠	054	43P50024	SENSOR, TTW	1	1	1	1	1	1	1	1
⚠	055	43D50006	SENSOR, TFI	1	1	1	1	1	1	1	1
⚠	070	43P66001	REMOTE CONTROLLER	1	1	1	1	1	1	1	1
⚠	071	43P69024	PC BOARD ASSY, MCC1753	1	1	1	1	1	1	1	1
⚠	072	43P69015	PC BOARD ASSY, MCC1755	1	1	1	1	1	1	1	1
⚠	073	43P60004	TERMINAL, JXO-B2D	1	1	1	1	1	1	1	1
⚠	074	43P60002	TERMINAL BLOCK, 3P, 20A	1	1	1	1	1	1	1	1
⚠	075	43P60005	TERMINAL BLOCK, 4P	2	2	1	1	2	2	2	2
⚠	076	43P60003	TERMINAL BLOCK, 3P, 60A			1	1				

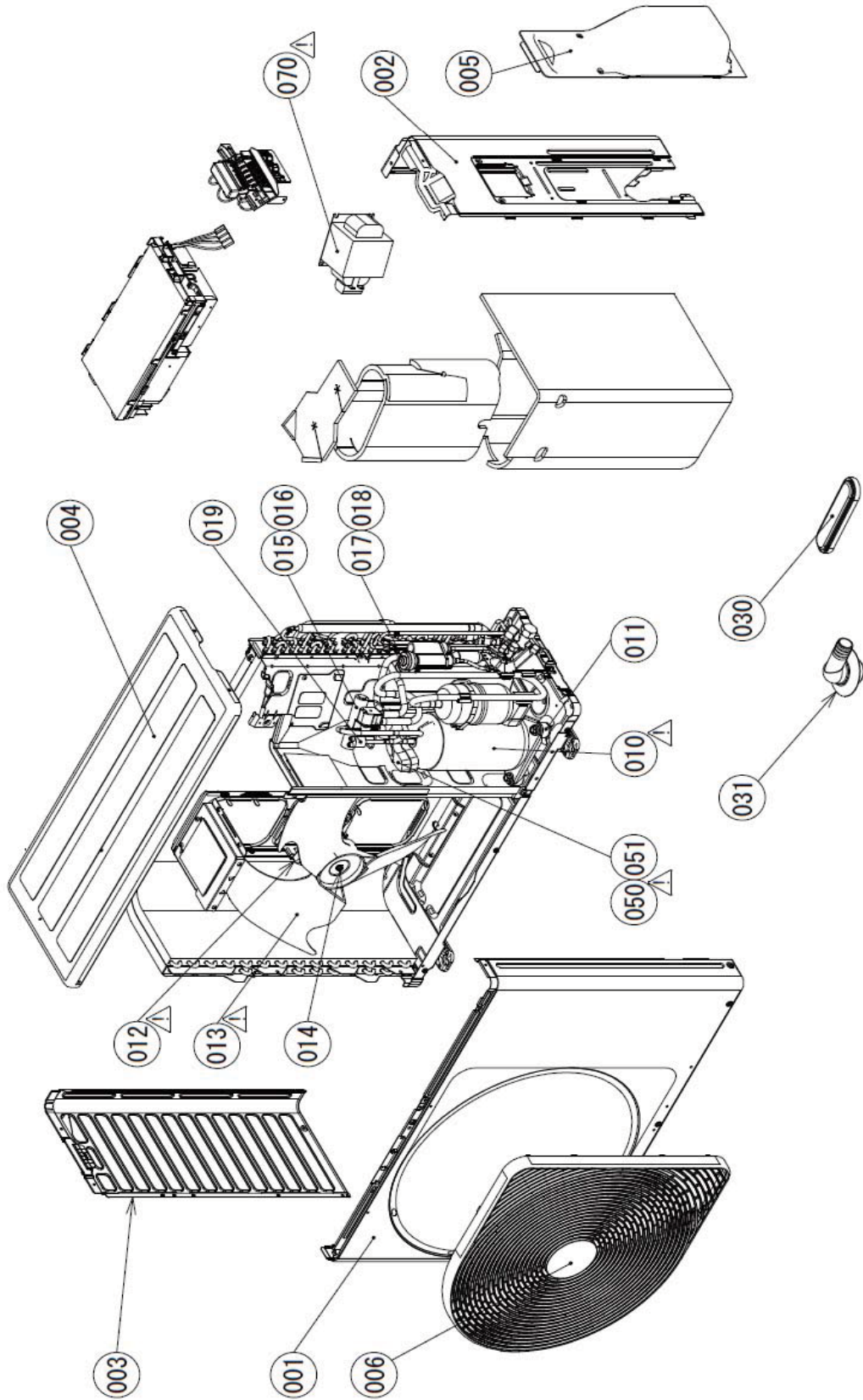
HWT-1402S21*W-E / TR**

Safety	Location No.	Part No.	Description	Number of pieces per unit (HWT-)							
				1402S21SM3W-E / TR	1402S21MM3W-E / TR	1402S21SM6W-E / TR	1402S21MM6W-E / TR	1402S21ST6W-E / TR	1402S21MT6W-E / TR	1402S21ST9W-E / TR	1402S21MT9W-E / TR
	001	43P00025	PANEL, FRONT, ASSY	1	1	1	1	1	1	1	1
	002	43P00021	PANEL, RIGHT SIDE, ASSY	1	1	1	1	1	1	1	1
	003	43P00022	PANEL, TOP	1		1		1		1	
		43P00023	PANEL, TOP		1		1		1		1
	004	43P00026	PANEL, BACK, ASSY	1	1	1	1	1	1	1	1
	005	43P00024	PANEL, LEFT SIDE, ASSY	1	1	1	1	1	1	1	1
⚠	012	43P44006	HEAT EXCHANGER, PIPE ASSY	1	1	1	1	1	1	1	1
⚠	013	43P57007	HEATER ASSY, 3KW	1	1						
⚠	014	43P57008	HEATER ASSY, 6KW			1	1	1	1		
⚠	015	43P57009	HEATER ASSY, 9KW							1	1
⚠	017	43P77004	PUMP, WATER, ASSY	1	1	1	1	1	1	1	1
⚠	018	43P77005	PUMP, WATER, ASSY		1		1		1		1
	019	43P48005	VESSEL, EXPANSION, ASSY	1	1	1	1	1	1	1	1
	020	43P46040	VALVE, OVER PRESSURE, ASSY	1	1	1	1	1	1	1	1
	021	43P79006	VALVE, AIR VENT	1	1	1	1	1	1	1	1
	022	43P49001	METER, PRESSURE, ASSY	1	1	1	1	1	1	1	1
⚠	023	43P51010	SENSOR, PRESSURE, NSK-BH010J-872	1	1	1	1	1	1	1	1
⚠	024	43P50025	SENSOR, FLOW, ASSY	1	1	1	1	1	1	1	1
	025	43P46036	VALVE, 3WAY, ASSY	1	1	1	1	1	1	1	1
	026	43P46041	VALVE, MIXING, ASSY	1	1	1	1	1	1	1	1
	027	43P46037	VALVE, SAFETY, ASSY	1	1	1	1	1	1	1	1
	028	43P46038	VALVE, CHECK	1	1	1	1	1	1	1	1
	029	43P46039	VALVE, DRAIN	2	2	2	2	2	2	2	2
	030	43P47005	VALVE, STRAINER	1	1	1	1	1	1	1	1
	035	43P95006	RING,O	22	30	22	30	22	30	22	30
	036	43P95007	RING,O	3	3	3	3	3	3	3	3
	037	43P95008	RING,O	1	1	1	1	1	1	1	1
	038	43P79011	FASTENER,QUICK	12	17	12	17	12	17	12	17
	039	43P79012	FASTENER,QUICK	10	13	10	13	10	13	10	13
	040	43P79013	FASTENER,QUICK	2	2	2	2	2	2	2	2
	041	43P79014	FASTENER,QUICK	2	2	2	2	2	2	2	2
	042	43P79015	FASTENER,QUICK	1	1	1	1	1	1	1	1
	043	43P79016	JOINT,DRAIN	1	1	1	1	1	1	1	1
	044	43P95005	GASKET	2	4	2	4	2	4	2	4
	045	43P95009	GASKET	1	1	1	1	1	1	1	1
	046	43P95010	GASKET	2	2	2	2	2	2	2	2
	047	43P95011	GASKET	1	1	1	1	1	1	1	1
	048	43P95012	GASKET	1	1	1	1	1	1	1	1

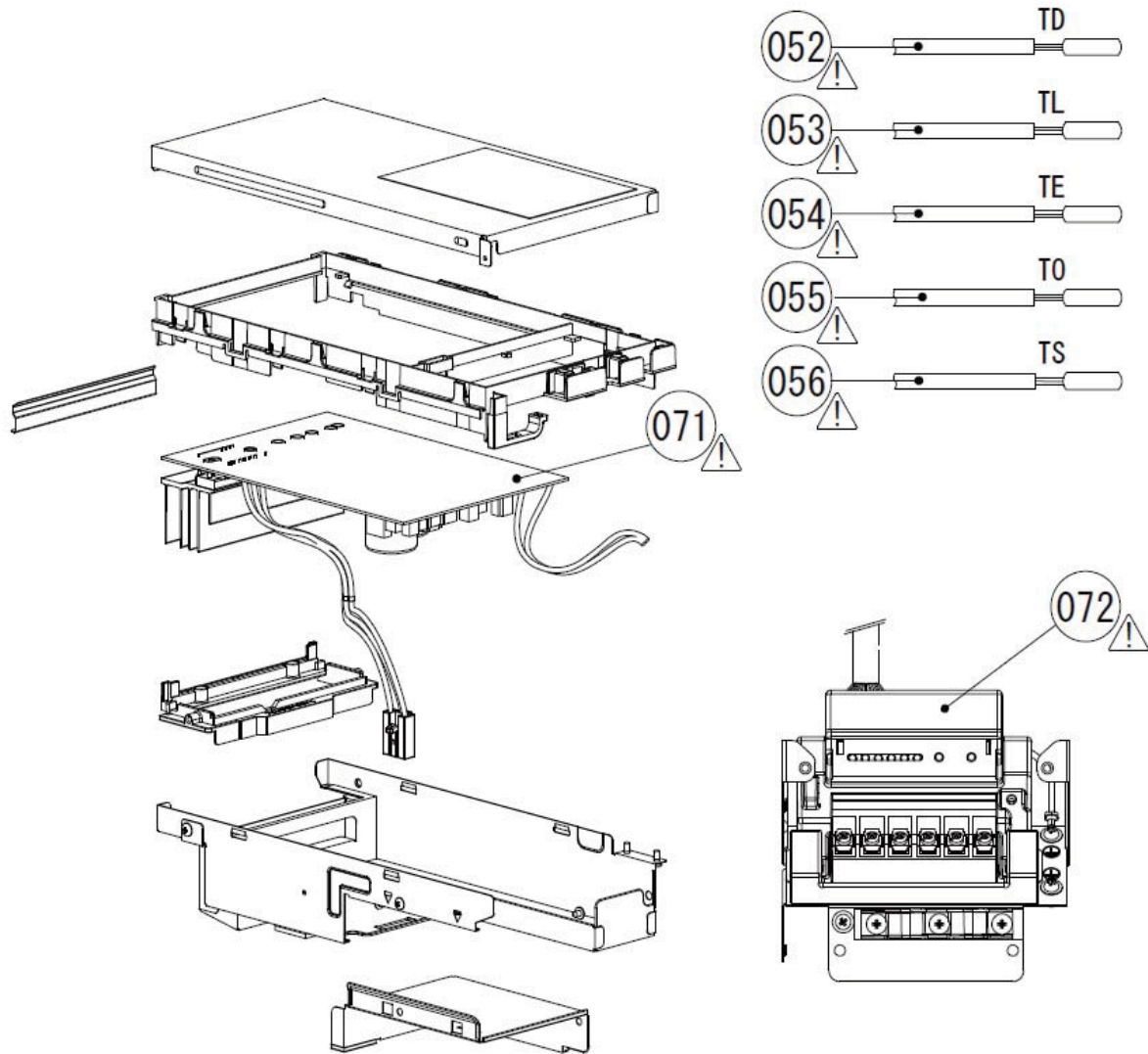
HWT-1402S21*W-E / TR**

Safety	Location No.	Part No.	Description	Number of pieces per unit (HWT-)							
				1402S21SM3W-E / TR	1402S21MM3W-E / TR	1402S21SM6W-E / TR	1402S21MM6W-E / TR	1402S21ST6W-E / TR	1402S21MT6W-E / TR	1402S21ST9W-E / TR	1402S21MT9W-E / TR
⚠	050	43D50004	SENSOR, TWI	1	1	1	1	1	1	1	1
⚠	051	43D50001	SENSOR, TWO	1	1	1	1	1	1	1	1
⚠	052	43D50002	SENSOR, THO	1	1	1	1	1	1	1	1
⚠	053	43D50005	SENSOR, TC	1	1	1	1	1	1	1	1
⚠	054	43P50024	SENSOR, TTW	1	1	1	1	1	1	1	1
⚠	055	43D50006	SENSOR, TFI	1	1	1	1	1	1	1	1
⚠	070	43P66001	REMOTE CONTROLLER	1	1	1	1	1	1	1	1
⚠	071	43P69025	PC BOARD ASSY, MCC1753	1	1	1	1	1	1	1	1
⚠	072	43P69015	PC BOARD ASSY, MCC1755	1	1	1	1	1	1	1	1
⚠	073	43P60004	TERMINAL, JXO-B2D	1	1	1	1	1	1	1	1
⚠	074	43P60002	TERMINAL BLOCK, 3P, 20A	1	1	1	1	1	1	1	1
⚠	075	43P60005	TERMINAL BLOCK, 4P	2	2	1	1	2	2	2	2
⚠	076	43P60003	TERMINAL BLOCK, 3P, 60A			1	1				
⚠	077	43P58007	REACTOR, CH-43-3Z	1	1	1	1	1	1	1	1
⚠	078	43P60009	SPARK KILLER	1	1	1	1	1	1	1	1
⚠	079	43P54001	RELAY, LY2F-L, AC230V	1	1	1	1	1	1	1	1

Outdoor Unit (HWT-401HW-E(TR), HWT-601HW-E(TR))

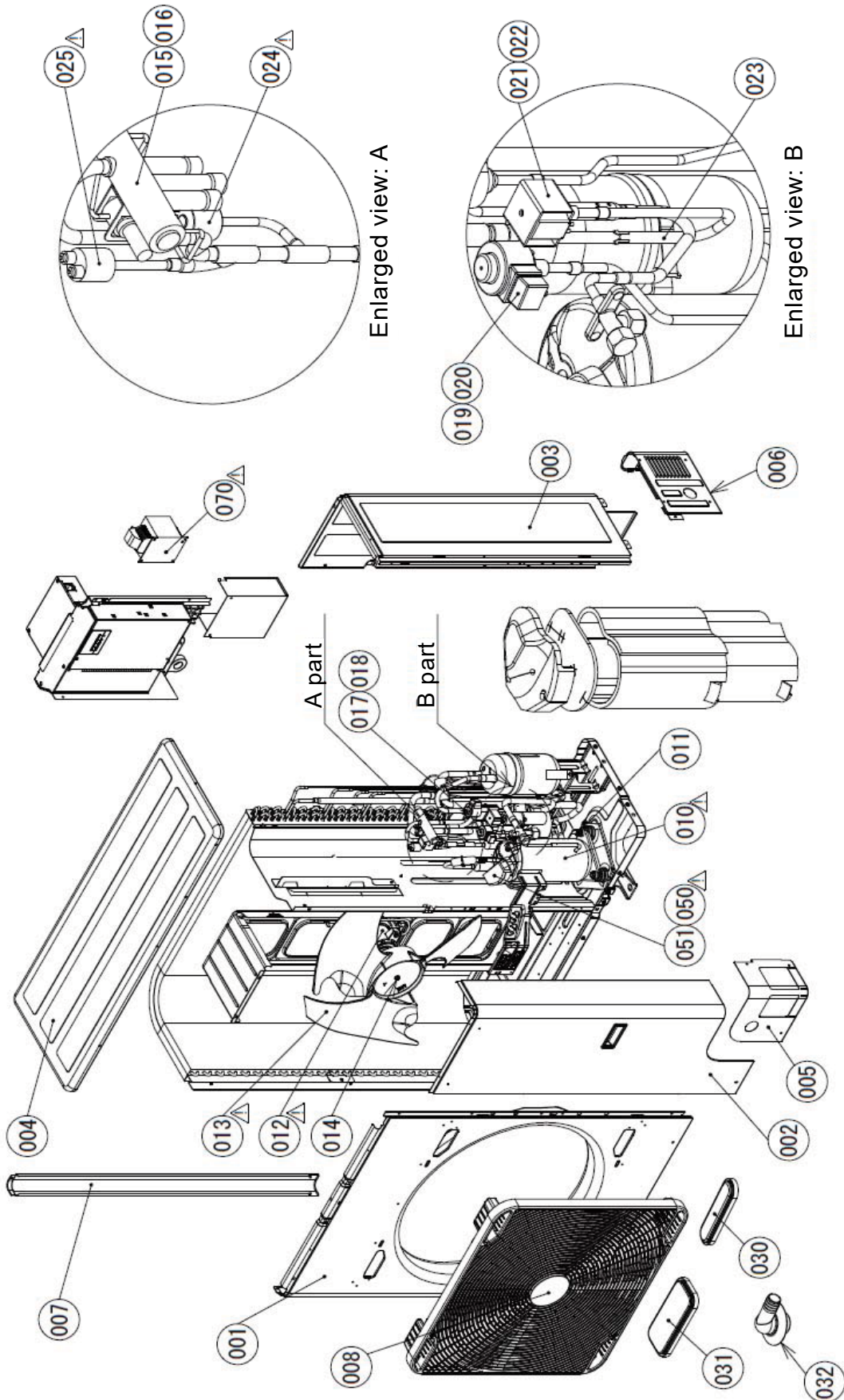


Inverter Assembly (HWT-401HW-E(TR), HWT-601HW-E(TR))

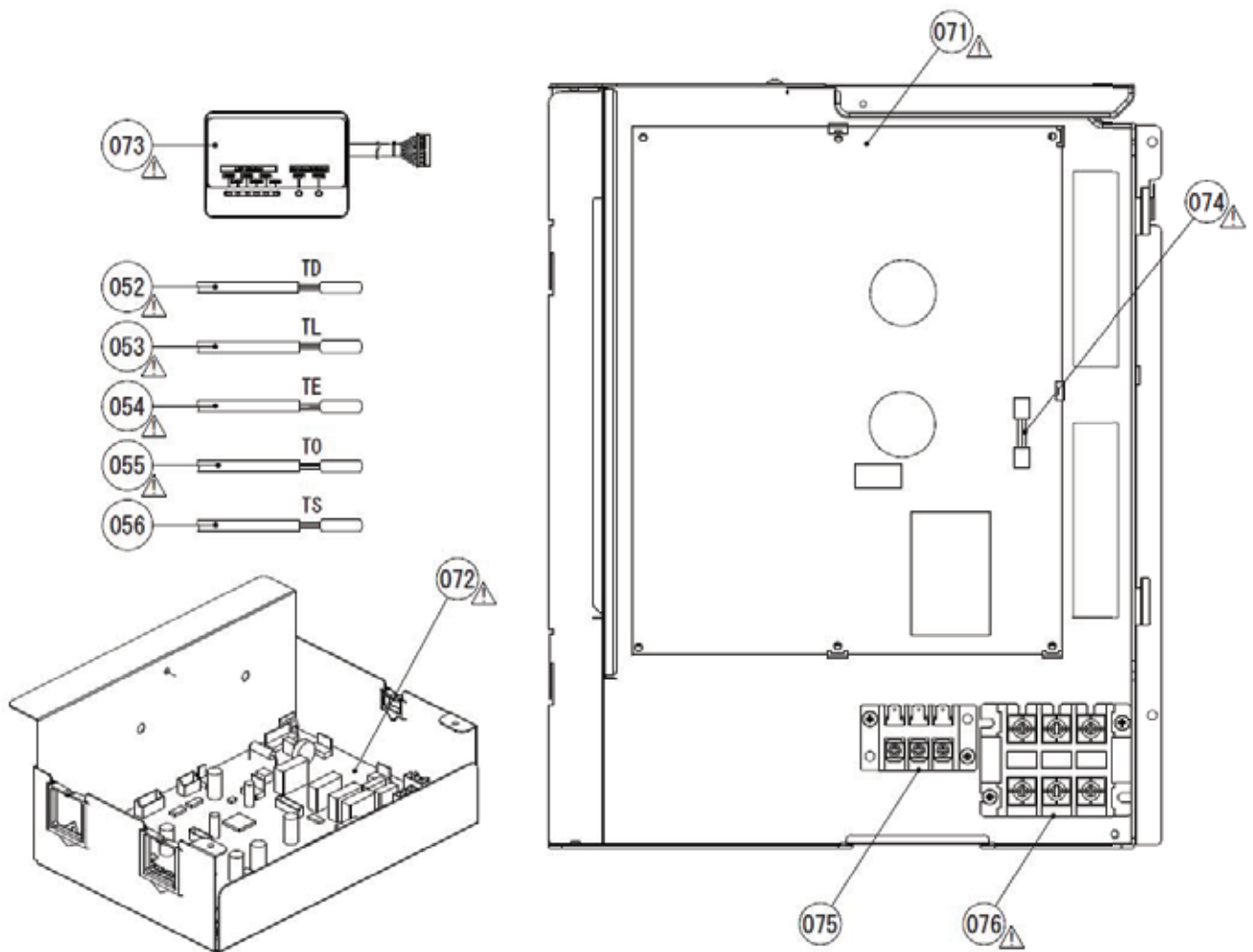


Safety ⚠	Location No.	Part No.	Description	Number of pieces per unit	
				HWT- 401HW-E / TR	HWT- 601HW-E / TR
	001	43P00012	PANEL, AIR OUTLET, ASSY	1	1
	002	43P00013	PANEL, SIDE, RIGHT, ASSY	1	1
	003	43P00014	PANEL, SIDE, LEFT, ASSY	1	1
	004	43P00015	PANEL, ROOF, ASSY	1	1
	005	43P00016	COVER, PACKED, VALVE	1	1
	006	43P19003	GUARD, FAN	1	1
⚠	010	43P42004	"COMPRESSOR, ASSY, DX150A1T-21F"	1	1
	011	43P42003	BOLT, COMPRESSOR	3	3
⚠	012	43P21002	MOTOR, FAN, ICF-140-A43-1	1	1
⚠	013	43P20002	FAN, PROPELLER, PJ441-E	1	1
	014	43P97001	NUT, FLANGE	1	1
	015	43P46011	VALVE, 4WAY, DSF-9C-R410A	1	1
	016	43P46010	COIL, VALVE, 4WAY, DXQ-1233	1	1
	017	43P46008	VALVE, PMV, DPF1.5C-0.4	1	1
	018	43P46009	COIL, PMV, PQ-M10012-000313	1	1
⚠	019	43P51004	SWITCH, PRESSURE, ACB-4UB154W	1	1
	030	43P79008	CAP, WATER-PROOF	1	1
	031	43P19002	NIPPLE, DRAIN	4	4
⚠	050	43P50007	THERMOSTAT, BIMETAL	1	1
	051	43P42002	HOLDER, THERMO	1	1
⚠	052	43P50012	SENSOR, TD	1	1
⚠	053	43P50013	SENSOR, TL	1	1
⚠	054	43P50010	SENSOR, TE	1	1
⚠	055	43P50004	SENSOR, TO	1	1
⚠	056	43P50011	SENSOR, TS	1	1
⚠	070	43P58002	REACTOR, CH-102	1	1
⚠	071	43P69001	PC BOARD ASSY, MCC1768	1	1
⚠	072	43P69002	"PC BOARD ASSY, MCC1646, TERMINAL BLOCK"	1	1

Outdoor Unit
(HWT-801HW-E(TR), HWT-1101HW-E(TR), HWT-801HRW-E, HWT-1101HRW-E)

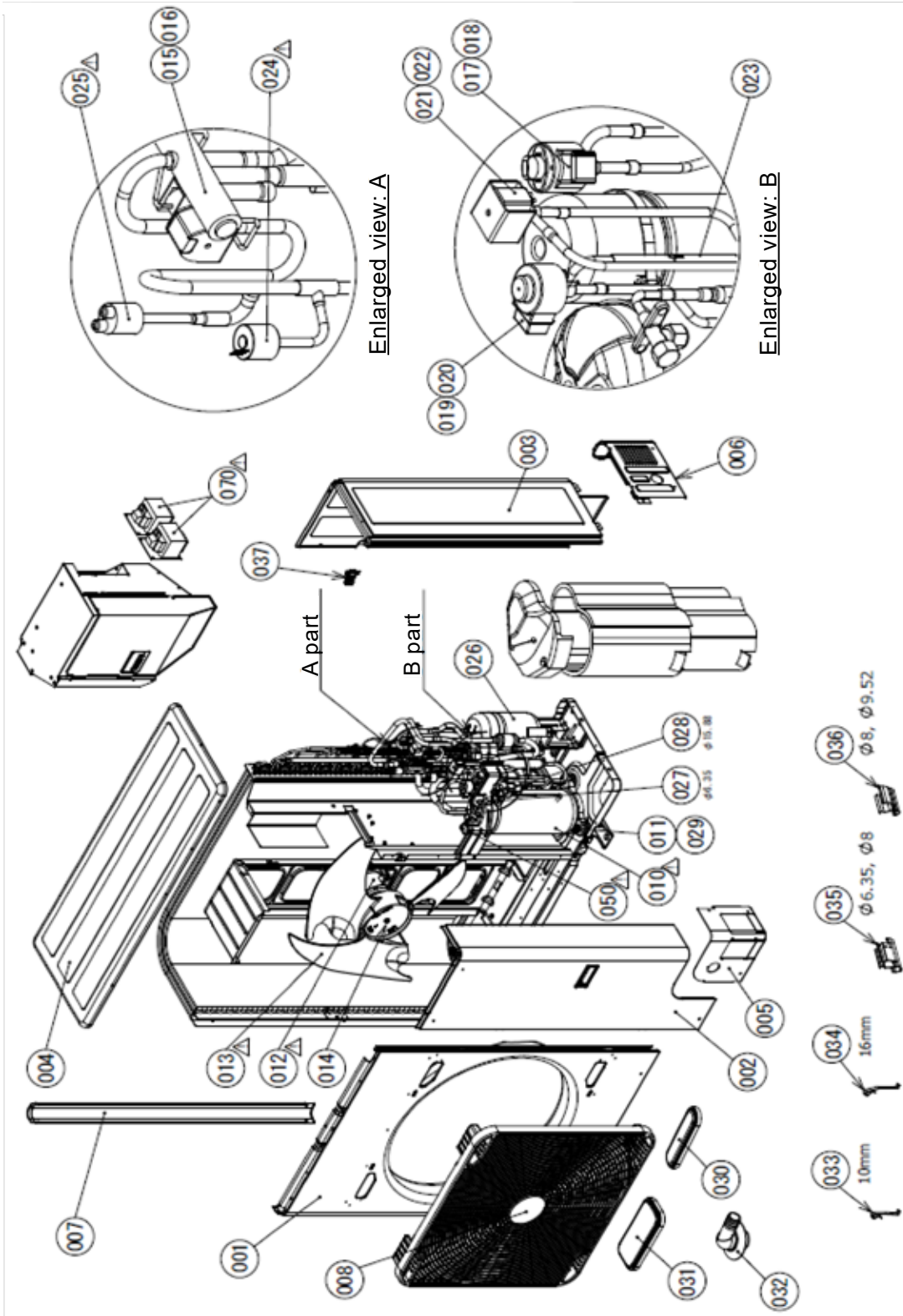


Inverter Assembly
(HWT-801HW-E(TR), HWT-1101HW-E(TR), HWT-801HRW-E, HWT-1101HRW-E)

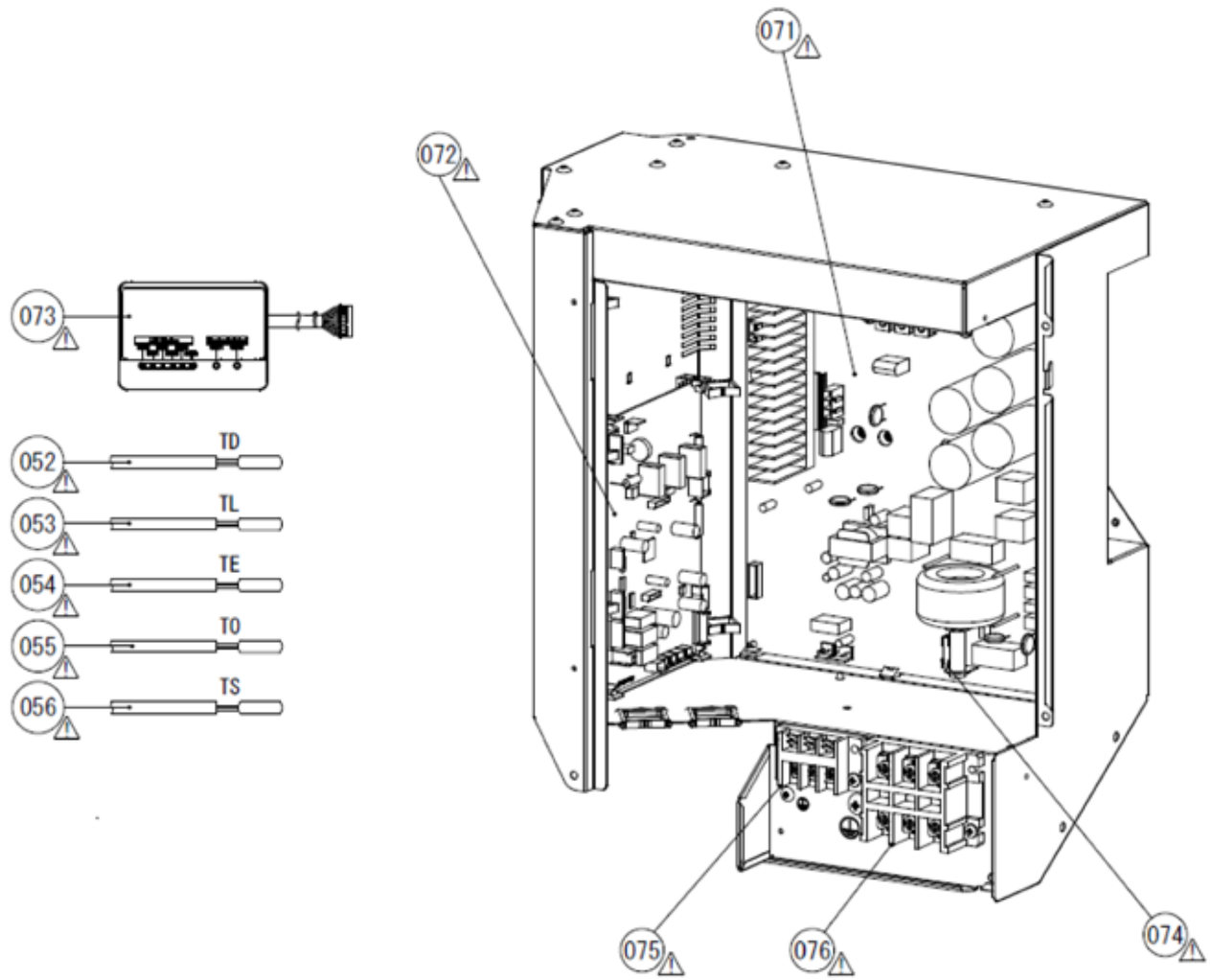


Safety ⚠	Location No.	Part No.	Description	Number of pieces per unit			
				HWT-801HW-E / TR	HWT-801HRW-E	HWT-1101HW-E / TR	HWT-1101HRW-E
	001	43P00005	PANEL, AIR OUTLET	1	1	1	1
	002	43P00017	PANEL, FRONT, ASSY	1	1	1	1
	003	43P00020	PANEL, SIDE, RIGHT, ASSY	1	1	1	1
	004	43P00008	PANEL, ROOF, ASSY	1	1	1	1
	005	43P00009	PANEL, FRONT, PIPING	1	1	1	1
	006	43P00010	PANEL, BACK, PIPING, ASSY	1	1	1	1
	007	43P00011	STAY	1	1	1	1
	008	43P09001	GUARD, FAN	1	1	1	1
⚠	010	43P42005	"COMPRESSOR, ASSY, NX220A1FJ-20N"	1	1	1	1
	011	43P42001	BOLT, COMPRESSOR	3	3	3	3
⚠	012	43P21001	MOTOR, FAN, ICF-280-A60-1	1	1	1	1
⚠	013	43P20001	FAN, PROPELLER, PS561-E	1	1	1	1
	014	43P97001	NUT, FLANGE	1	1	1	1
	015	43P46011	VALVE, 4WAY, DSF-9C-R410A	1	1	1	1
	016	43P46012	COIL, VALVE, 4WAY, DXQ-1604	1	1	1	1
	017	43P46001	VALVE, PMV, UKV-18D301	1	1	1	1
	018	43P46002	COIL, PMV, UKV-A040	1	1	1	1
	019	43P46003	VALVE, PMV, FAM-BD14TF	1	1	1	1
	020	43P46004	COIL, PMV, FAM-12TF-1	1	1	1	1
	021	43P46005	VALVE, 2WAY, TEV-S1220DQ50	1	1	1	1
	022	43P46007	"COIL, VALVE, 2WAY, TEV-SM0AG2260A1"	1	1	1	1
	023	43P46006	VALVE, CHECK	1	1	1	1
⚠	024	43P51003	"SENSOR, PRESSURE, NSK-BH042J-873"	1	1	1	1
⚠	025	43P51001	"SWITCH, PRESSURE, ACB-4UB231W"	1	1	1	1
	030	43P79008	CAP, WATERPROOF	1		1	
	031	43P79009	CAP, WATERPROOF	4		4	
	032	43P19002	NIPPLE, DRAIN	1		1	
⚠	050	43P50007	THERMOSTAT, BIMETAL	1	1	1	1
	051	43P42002	HOLDER, THERMO	1	1	1	1
⚠	052	43P50002	SENSOR, TD	1	1	1	1
⚠	053	43P50001	SENSOR, TL	1	1	1	1
⚠	054	43P50003	SENSOR, TE	1	1	1	1
⚠	055	43P50004	SENSOR, TO	1	1	1	1
⚠	056	43P50005	SENSOR, TS	1	1	1	1
⚠	070	43P58001	REACTOR, CH-101	1	1	1	1
⚠	071	43P69005	PC BOARD ASSY, MCC1705	1	1	1	1
⚠	072	43P69006	PC BOARD ASSY, MCC1675	1	1	1	1
⚠	073	43P69007	PC BOARD ASSY, MCC1646	1	1	1	1
⚠	074	43P60001	FUSE, 10A	1	1	1	1
⚠	075	43P60002	TERMINAL BLOCK, 3P, 20A	1	1	1	1
⚠	076	43P60003	TERMINAL BLOCK, 3P, 60A	1	1	1	1

Outdoor Unit
(HWT-1401HW-E (TR), HWT-1401HRW-E)

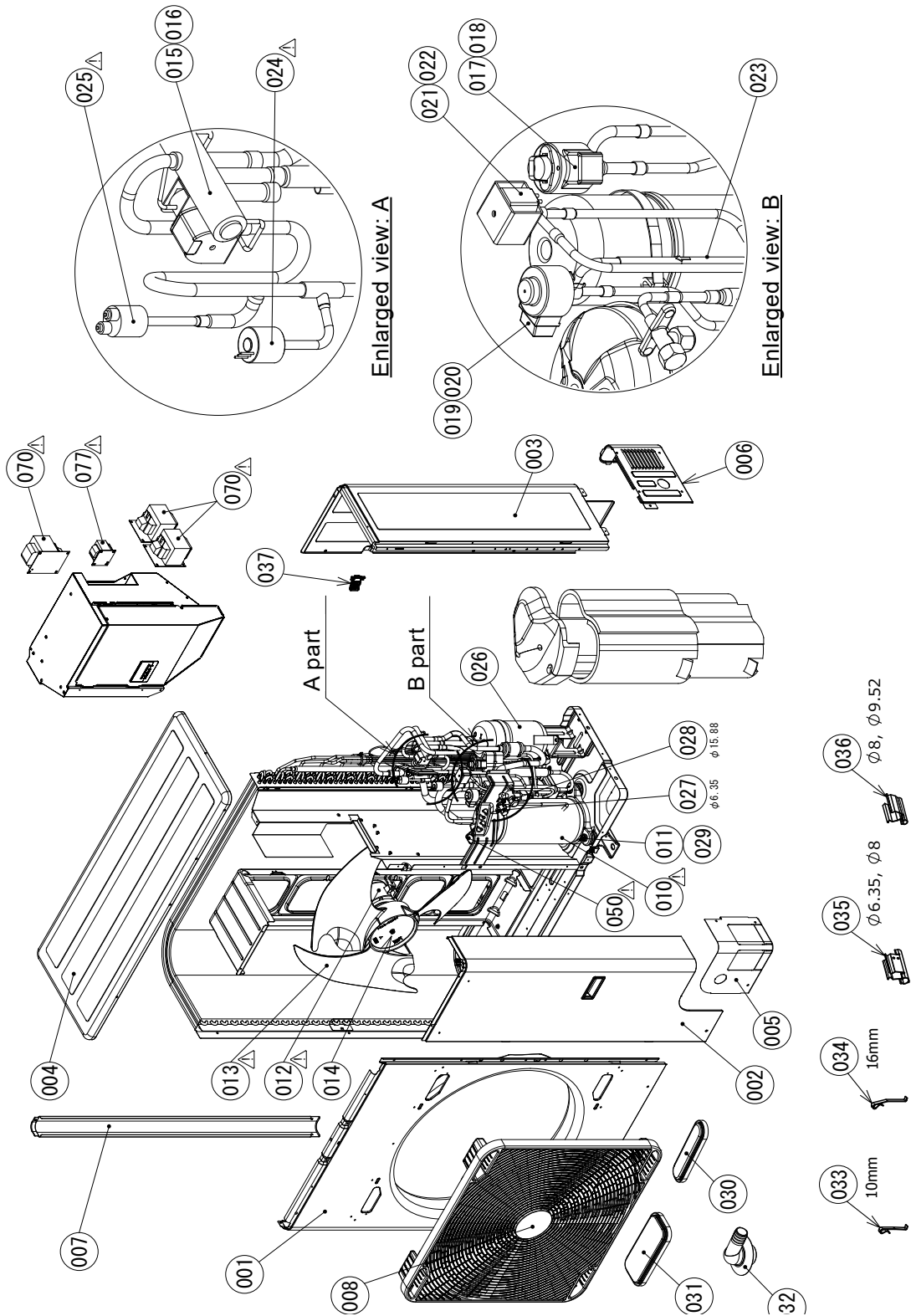


Inverter Assembly
(HWT-1401HW-E (TR), HWT-1401HRW-E)

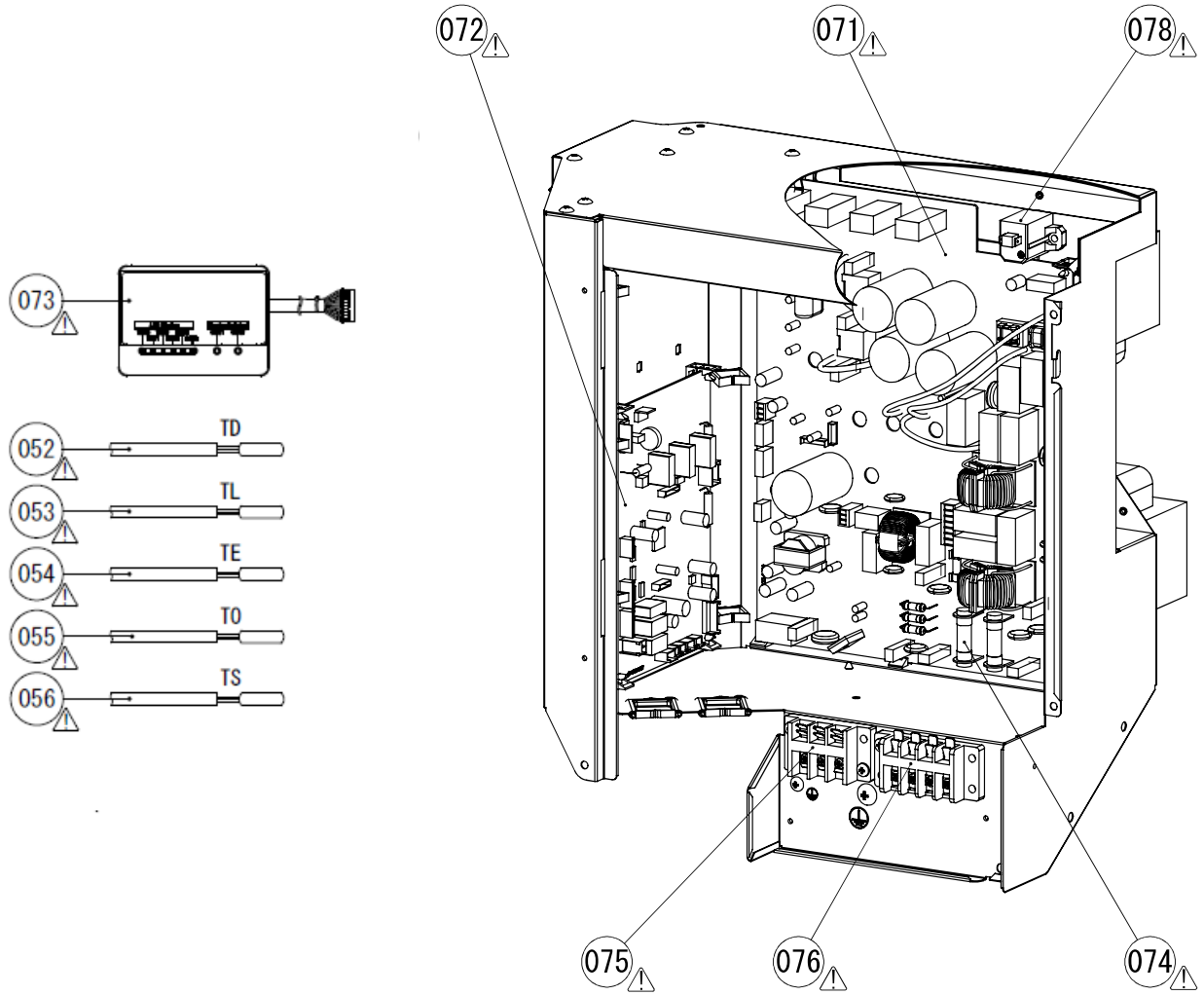


Safety ⚠	Location No.	Part No.	Description	Number of pieces per unit	
				HWT- 1401HW-E / TR	HWT- 1401HRW-E
	001	43P00005	PANEL, AIR OUTLET	1	1
	002	43P00017	PANEL, FRONT, ASSY	1	1
	003	43P00020	PANEL, SIDE, RIGHT, ASSY	1	1
	004	43P00008	PANEL, ROOF, ASSY	1	1
	005	43P00009	PANEL, FRONT, PIPING	1	1
	006	43P00010	PANEL, BACK, PIPING, ASSY	1	1
	007	43P00011	STAY	1	1
	008	43P09001	GUARD, FAN	1	1
⚠	010	43P42014	COMPRESSOR, ASSY, DX380A2TJ-20M	1	1
	011	43P42001	BOLT, COMPRESSOR	3	3
⚠	012	43P21003	MOTOR, FAN, ICF-280-A100-1	1	1
⚠	013	43P20001	FAN, PROPELLER, PS561-E	1	1
	014	43P97001	NUT, FLANGE	1	1
	015	43P46011	VALVE, 4WAY, DSF-9C-R410A	1	1
	016	43P46012	COIL, VALVE, 4WAY, DXQ-1604	1	1
	017	43P46033	VALVE, PMV, UKV-25D302	1	1
	018	43P46002	COIL, PMV, UKV-A040	1	1
	019	43P46003	VALVE, PMV, FAM-BD14TF	1	1
	020	43P46004	COIL, PMV, FAM-12TF-1	1	1
	021	43P46005	VALVE, 2WAY, TEV-S1220DQ50	1	1
	022	43P46007	COIL, VALVE, 2WAY, TEV-SM0AG2260A1	1	1
	023	43P46006	VALVE, CHECK	1	1
⚠	024	43P51003	SENSOR, PRESSURE, NSK-BH042J-873	1	1
⚠	025	43P51001	SWITCH, PRESSURE, ACB-4UB231W	1	1
	026	43P48003	ACCUMULATOR	1	1
	027	43P46035	VALVE, PACKED, φ6.35	1	1
	028	43P46026	VALVE, PACKED, φ15.88	1	1
	029	43P42008	RUBBER, CUSHION, A2	3	3
	030	43P79008	CAP, WATERPROOF	1	
	031	43P79009	CAP, WATERPROOF	1	
	032	43P19002	NIPPLE, DRAIN	1	
	033	43P63005	HOLDER, SENSOR, 10mm	1	1
	034	43P63001	HOLDER, SENSOR, 16mm	1	1
	035	43P63003	HOLDER, SENSOR, φ6.35, φ8	1	1
	036	43P63004	HOLDER, SENSOR, φ8, φ9.52	1	1
	037	43P63002	HOLDER, SENSOR (TO)	1	1
⚠	050	43P50016	THERMOSTAT, BIMETAL, ASSY	1	1
⚠	052	43P50002	SENSOR, TD	1	1
⚠	053	43P50001	SENSOR, TL	1	1
⚠	054	43P50003	SENSOR, TE	1	1
⚠	055	43P50004	SENSOR, TO	1	1
⚠	056	43P50017	SENSOR, TS	1	1
⚠	070	43P58003	REACTOR, CH-100	2	2
⚠	071	43P69016	PC BOARD ASSY, MCC1758	1	1
⚠	072	43P69013	PC BOARD ASSY, MCC1675	1	1
⚠	073	43P69007	PC BOARD ASSY, MCC1646	1	1
⚠	074	43P60001	FUSE, 10A	1	1
⚠	075	43P60002	TERMINAL BLOCK, 3P, 20A	1	1
⚠	076	43P60003	TERMINAL BLOCK, 3P, 60A	1	1

Outdoor Unit
(HWT-801H8(R)W-E, HWT-1101H8(R)W-E, HWT-1401H8(R)W-E)



Inverter Assembly
(HWT-801H8(R)W-E, HWT-1101H8(R)W-E, HWT-1401H8(R)W-E)



Safety ⚠	Location No.	Part No.	Description	Number of pieces per unit	
				HWT-801H8W-E HWT-1101H8W-E HWT-1401H8W-E	HWT-801H8RW-E HWT-1101H8RW-E HWT-1401H8RW-E
	001	43P00005	PANEL, AIR OUTLET	1	1
	002	43P00017	PANEL, FRONT, ASSY	1	1
	003	43P00020	PANEL, SIDE, RIGHT, ASSY	1	1
	004	43P00008	PANEL, ROOF, ASSY	1	1
	005	43P00009	PANEL, FRONT, PIPING	1	1
	006	43P00010	PANEL, BACK, PIPING, ASSY	1	1
	007	43P00011	STAY	1	1
	008	43P09001	GUARD, FAN	1	1
⚠	010	43P42016	COMPRESSOR, ASSY, RX380A2TJ-20M	1	1
	011	43P42001	BOLT, COMPRESSOR	3	3
⚠	012	43P21003	MOTOR, FAN, ICF-280-A100-1	1	1
⚠	013	43P20001	FAN, PROPELLER, PS561-E	1	1
	014	43P97001	NUT, FLANGE	1	1
	015	43P46011	VALVE, 4WAY, DSF-9C-R410A	1	1
	016	43P46012	COIL, VALVE, 4WAY, DXQ-1604	1	1
	017	43P46033	VALVE, PMV, UKV-25D302	1	1
	018	43P46002	COIL, PMV, UKV-A040	1	1
	019	43P46003	VALVE, PMV, FAM-BD14TF	1	1
	020	43P46004	COIL, PMV, FAM-12TF-1	1	1
	021	43P46005	VALVE, 2WAY, TEV-S1220DQ50	1	1
	022	43P46007	COIL, VALVE, 2WAY, TEV-SM0AG2260A1	1	1
	023	43P46006	VALVE, CHECK	1	1
⚠	024	43P51003	SENSOR, PRESSURE, NSK-BH042J-873	1	1
⚠	025	43P51001	SWITCH, PRESSURE, ACB-4UB231W	1	1
	026	43P48003	ACCUMULATOR	1	1
	027	43P46035	VALVE, PACKED, φ6.35	1	1
	028	43P46026	VALVE, PACKED, φ15.88	1	1
	029	43P42008	RUBBER, CUSHION, A2	3	3
	030	43P79008	CAP, WATERPROOF	1	
	031	43P79009	CAP, WATERPROOF	1	
	032	43P19002	NIPPLE, DRAIN	1	
	033	43P63005	HOLDER, SENSOR, 10mm	1	1
	034	43P63001	HOLDER, SENSOR, 16mm	1	1
	035	43P63003	HOLDER, SENSOR, φ6.35, φ8	1	1
	036	43P63004	HOLDER, SENSOR, φ8, φ9.52	1	1
	037	43P63002	HOLDER, SENSOR (TO)	1	1
⚠	050	43P50016	THERMOSTAT, BIMETAL, ASSY	1	1
⚠	052	43P50002	SENSOR, TD	1	1
⚠	053	43P50001	SENSOR, TL	1	1
⚠	054	43P50003	SENSOR, TE	1	1
⚠	055	43P50004	SENSOR, TO	1	1
⚠	056	43P50017	SENSOR, TS	1	1
⚠	070	43P58006	REACTOR, CH-100, DOUBLE VARNISH	3	3
⚠	071	43P69019	PC BOARD ASSY, MCC1780	1	1
⚠	072	43P69020	PC BOARD ASSY, MCC1781	1	1
⚠	073	43P69007	PC BOARD ASSY, MCC1646	1	1
⚠	074	43P60001	FUSE, 10A	1	1
⚠	075	43P60002	TERMINAL BLOCK, 3P, 20A	1	1
⚠	076	43P60005	TERMINAL BLOCK, 4P	1	1
⚠	077	43P58005	REACTOR, CH-68, DOUBLE VARNISH	1	1
⚠	078	43P50018	PTC-THERMISTOR	1	1