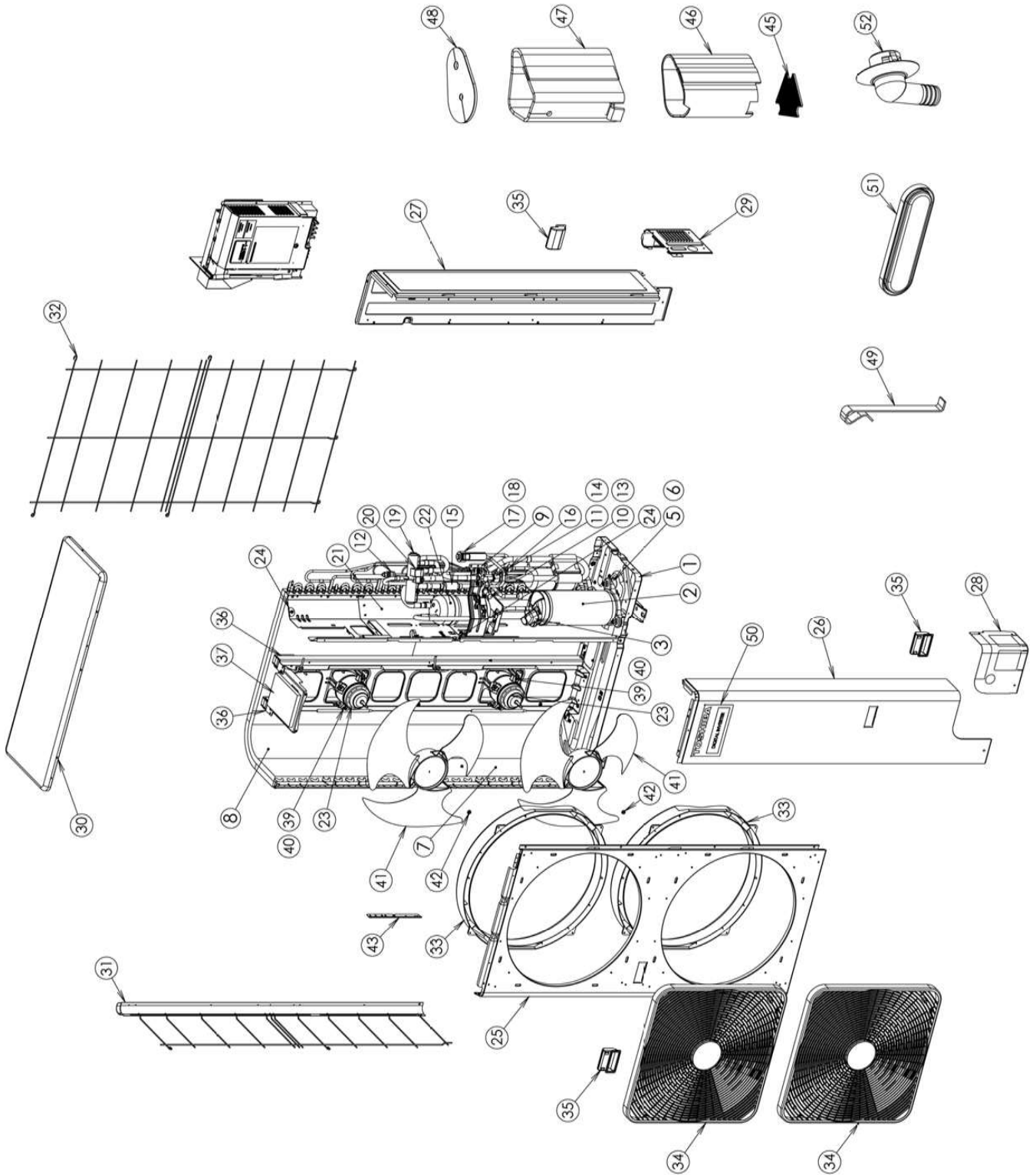


14. EXPLODED VIEWS AND PARTS LIST



Location No.	Part No.	Description	Model name RAV-GM		
			1601ATP-E	1601ATJP-E	1601ATP-TR
1	43T42373	BASE PLATE ASSEMBLY	1	1	1
2	43T41547	COMPRESSOR(DX380A2T-20M)	1	1	1
3	43T60504	TEMPERATURE SENSOR	1	1	1
5	43T49357	RUBBER,CUSHION	3	3	3
6	43T97326	COMPRESSOR NUT	3	3	3
7	43T43626	DOWN CONDENSER ASSEMBLY	1	-	1
7	43T43628	DOWN CONDENSER ASSEMBLY	-	1	-
8	43T43627	UPPER CONDENSER ASSEMBLY	1	-	1
8	43T43629	UPPER CONDENSER ASSEMBLY	-	1	-
9	43T00781	VALVE FIXING PLATE COATING	1	1	1
10	43T46380	VALVE;PACKED 9.52 DIA	1	1	1
11	43T46381	VALVE;BALL 15.88 DIA	1	1	1
12	43T63373	SWITCH PRESSURE	1	1	1
13	43T47404	BONNET, 9.52 DIA	1	1	1
14	43T47410	BONNET (15.9D)	1	1	1
15	43T47392	STRAINER	1	1	1
16	43T47414	STRAINER	1	1	1
17	43T46387	VALVE,PULSE,MODULATING	1	1	1
18	43T63351	COIL-PMV	1	1	1
19	43T46512	4WAY VALVE	1	1	1
20	43T63383	4 WAY VALVE COIL ASSEMBLY	1	1	1
21	43T04442	PARTITION SERVICE ASSEMBLY	1	1	1
22	43T48324	ACCUMULATOR ASSEMBLY	1	1	1
23	43T60520	MOTOR FAN ASSEMBLY	1	1	1
24	43T96305	BUSHING	1	1	1
25	43T00786	AIR OUTLET CABINET	1	1	1
26	43T04443	FRONT PANEL ASSEMBLY	1	1	1
27	43T00785	RIGHT PANEL ASSEMBLY	1	1	1
28	43T00608	ASM-COAT-P-P-FR	1	1	1
29	43T00609	ASM-COAT-P-P-BK	1	1	1
30	43T00564	UPPER CABINET ASSEMBLY	-	1	-
30	43T00803	UPPER CABINET ASSEMBLY	1	-	1
31	43T00726	GUARD FIN ASSEMBLY	1	1	1
32	43T00727	GUARD FIN BACK	1	1	1
33	43T22313	BELLMOUTH	1	1	1
34	43T19372	FAN GUARD	1	1	1
35	43T71302	HANDLE	1	1	1
36	43T39413	PLATE SUPPORT MOTOR ASSEMBLY	1	1	1
37	43T39412	BASE MOTOR ASSEMBLY	1	1	1
39	43T97309	HEXAGON HEAD SCREW	4	4	4
40	43T22321	COLLAR	4	4	4
41	43T20352	FAN-PR(PB522)	1	1	1
42	43047669	NUT, FLANGE	1	1	1
43	43T43630	COAT PLATE COND ASSEMBLY	1	1	1
45	43T04389	INSULATION SOUND UNDERSIDE	1	1	1
46	43T04312	SOUND-INSU(IS)	1	1	1
47	43T04387	INSULATION SOUND OUTSIDE	1	1	1
48	43T04439	INSULATION SOUND UPPERSIDE	1	1	1
49	43T19333	HOLDER, SENSOR	1	1	1
50	43T85553	MARK-T	1	1	1
51	43089160	CAP, WATERPROOF	5	5	5
52	43T79305	DRAIN NIPPLE	1	1	1

Location No.	Part No.	Description	Model name RAV-GM		
			1601ATP-E	1601ATJP-E	1601ATP-TR
701	43T6W755	PC BOARD ASSY (MCC-1758)	1	1	1
702	43T6V418	PC BOARD ASSY(MCC-1646)-LED	1	1	1
703	43T96306	COLLAR	1	1	1
704	43T96307	BUSHING	1	1	1
705	43T61315	SPACER(BUSH)	1	1	1
706	43T61316	SPACER(COLLAR)	1	1	1
707	43T61321	BASE, PC BOARD	1	1	1
708	43T60424	ASM-SERV-Terminal block,3P,60A	1	1	1
709	43T60331	TERMINAL, 3P	1	1	1
710	43T60413	FUSE	1	1	1
711	43T50336	TEMPERATURE SENSOR	1	1	1
712	43T50385	TEMPERATURE SENSOR,TE	1	1	1
713	43T50337	TEMPERATURE SENSOR,TO	1	1	1
714	43T50376	SENSOR-TD	1	1	1
715	43T50335	TEMPERATURE SENSOR	1	1	1
716	43T63323	HOLDER,SENSOR	1	1	1
717	43T63335	SENSOR HOLDER	1	1	1