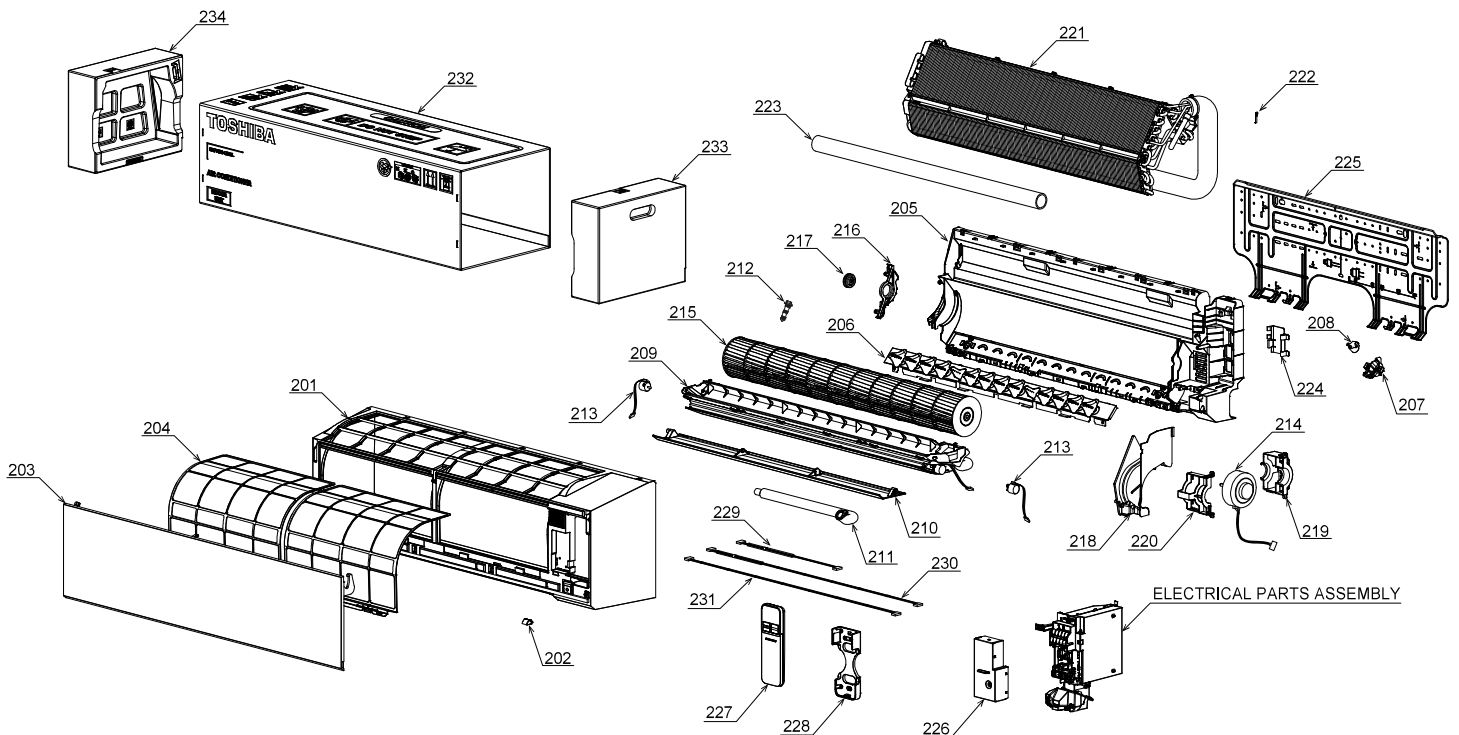


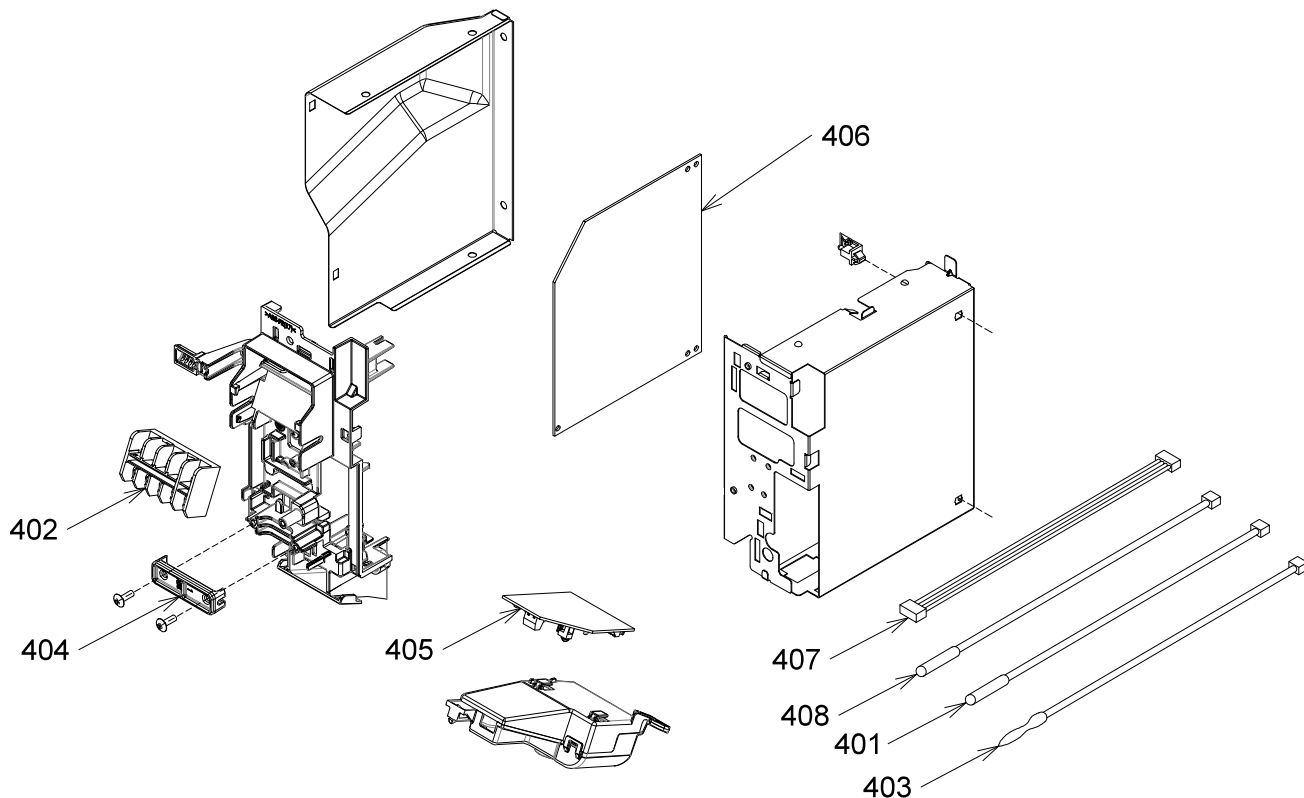
## 13. EXPLODED VIEWS AND PARTS LIST

### 13-1. Indoor Unit



| Location No. | Part No. | Description   | Location No. | Part No. | Description  |
|--------------|----------|---|--------------|----------|--|
| 201          | 43T00778 | FRONT PANEL ASSY<br>(FOR RAS-18,B22J2KVSG-E/N4KVSG-E) | 219          | 43T39381 | MOTOR BAND BACK  |
| 201          | 43T00779 | FRONT PANEL ASSY<br>(FOR RAS-B24J2KVSG-E/N4KVSG-E)    | 220          | 43T39382 | MOTOR BAND FRONT   |
| 202          | 43T00715 | CAP SCREW   | 221          | 43T44664 | REFRIGERATION CYCLE ASSY<br>(FOR RAS-18J2KVSG-E/N4KVSG-E)  |
| 203          | 43T09586 | GRILLE OF AIR INLET ASSY                              | 221          | 43T44665 | REFRIGERATION CYCLE ASSY<br>(FOR RAS-B22J2KVSG-E/N4KVSG-E) |
| 204          | 43T80358 | AIR FILTER  | 221          | 43T44666 | REFRIGERATION CYCLE ASSY<br>(FOR RAS-B24J2KVSG-E/N4KVSG-E) |
| 205          | 43T03405 | BACK BODY ASSY  | 222          | 43T19333 | HOLDER, SENSOR   |
| 206          | 43T22353 | VERTICAL LOUVER ASSY                                  | 223          | 43T49045 | PIPE, SHIELD   |
| 207          | 43T03406 | COVER MOTOR VT  | 224          | 43T49043 | HOLDER, PIPE   |
| 208          | 43T21434 | STEPPING-MOTOR  | 225          | 43T82008 | PLATE, INSTALLATION  |
| 209          | 43T72353 | DRAIN PAN ASSY  | 226          | 43T62360 | TERMINAL COVER ASSY  |
| 210          | 43T22367 | HORIZONTAL LOUVER                                     | 227          | 43T66402 | WIRELESS REMOCO  |
| 211          | 43T70321 | DRAIN HOSE  | 228          | 43T83305 | HOLDER, REMOTE CONTROL                                     |
| 212          | 43T79322 | DRAIN CAP   | 229          | 43T60481 | CORD MOTOR LOUVER RIGHT                                    |
| 213          | 43T21478 | MOTOR; STEPPING                                       | 230          | 43T60482 | CORD MOTOR LOUVER LEFT                                     |
| 214          | 43T21495 | FAN-MOTOR   | 231          | 43T60483 | CORD MOTOR LOUVER HR                                       |
| 215          | 43T20357 | CROSS FLOW FAN ASSY                                   | 232          | 43T91333 | PACKING SLEEVE   |
| 216          | 43T39385 | BASE BEARING  | 233          | 43T91397 | PACKING CUSHION RIGHT                                      |
| 217          | 43T22312 | BEARING ASSY, MOLD                                    | 234          | 43T91398 | PACKING CUSHION LEFT                                       |
| 218          | 43T39383 | MOTOR COVER<br>(FOR RAS-18,B22J2KVSG-E/N4KVSG-E)      |              |          |  |
| 218          | 43T39384 | MOTOR COVER<br>(FOR RAS-B24J2KVSG-E/N4KVSG-E)         |              |          |  |

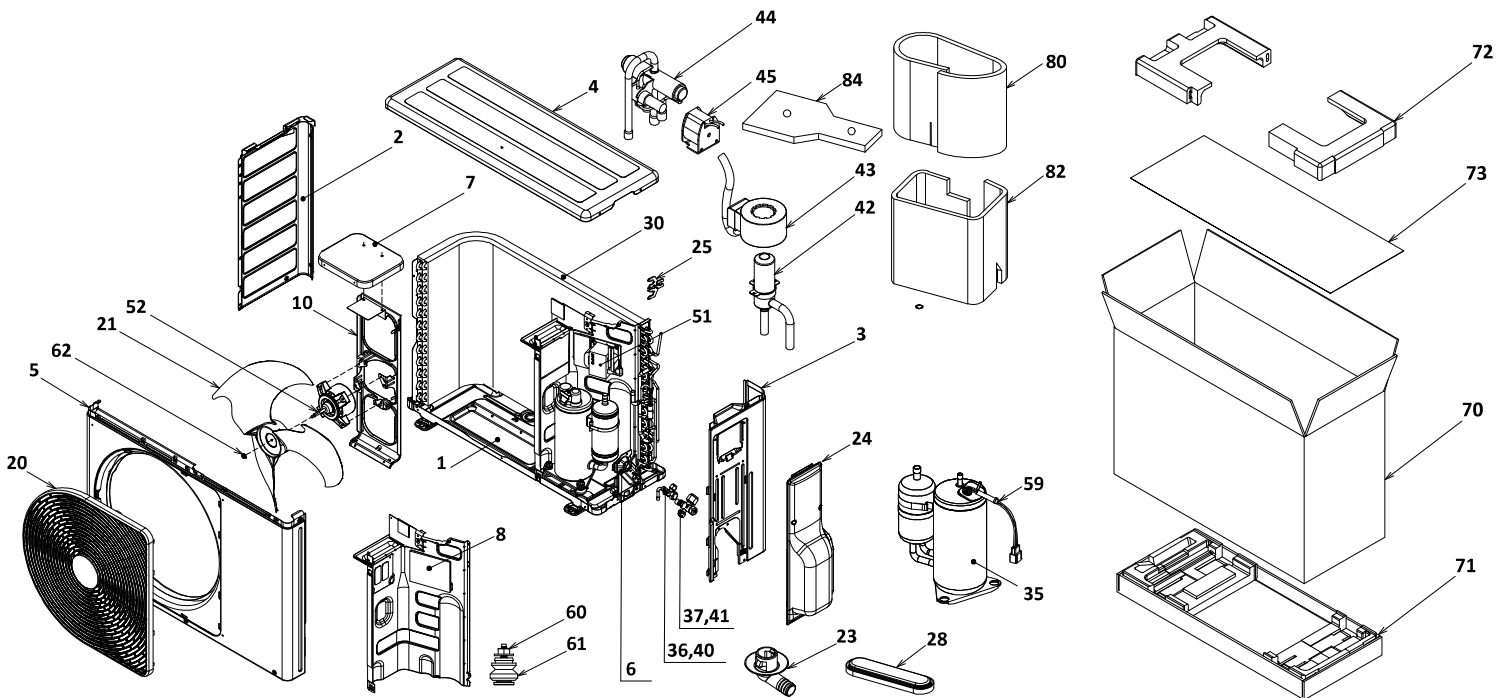
## 13-2. Indoor Unit (Part-E)



| Location No. | Part No. | Description             | Location No. | Part No. | Description                         |
|--------------|----------|-------------------------|--------------|----------|-------------------------------------|
| 401          | 43T50393 | TEMPERATURE SENSOR      | 406          | 43T6W722 | PC BOARD ASSY                       |
| 402          | 43T6V673 | TERMINAL(5P-TF)         | 406          | 43T6W724 | PC BOARD ASSY                       |
| 403          | 43T50392 | SENSOR,THERMOSTAT       | 407          | 43T60502 | HOUSING-WiFi                        |
| 404          | 43T62340 | CORD-CLAMP              | 408          | 43T50306 | TEMPERATURE SENSOR                  |
| 405          | 43T6W727 | PC BOARD ASSY : WRS-LED |              |          | (FOR RAS-B22, B24J2KVSG-E/N4KVSG-E) |
| 406          | 43T6W721 | PC BOARD ASSY           |              |          | (FOR RAS-18J2KVSG-E/N4KVSG-E)       |

### 13-3. Outdoor Unit

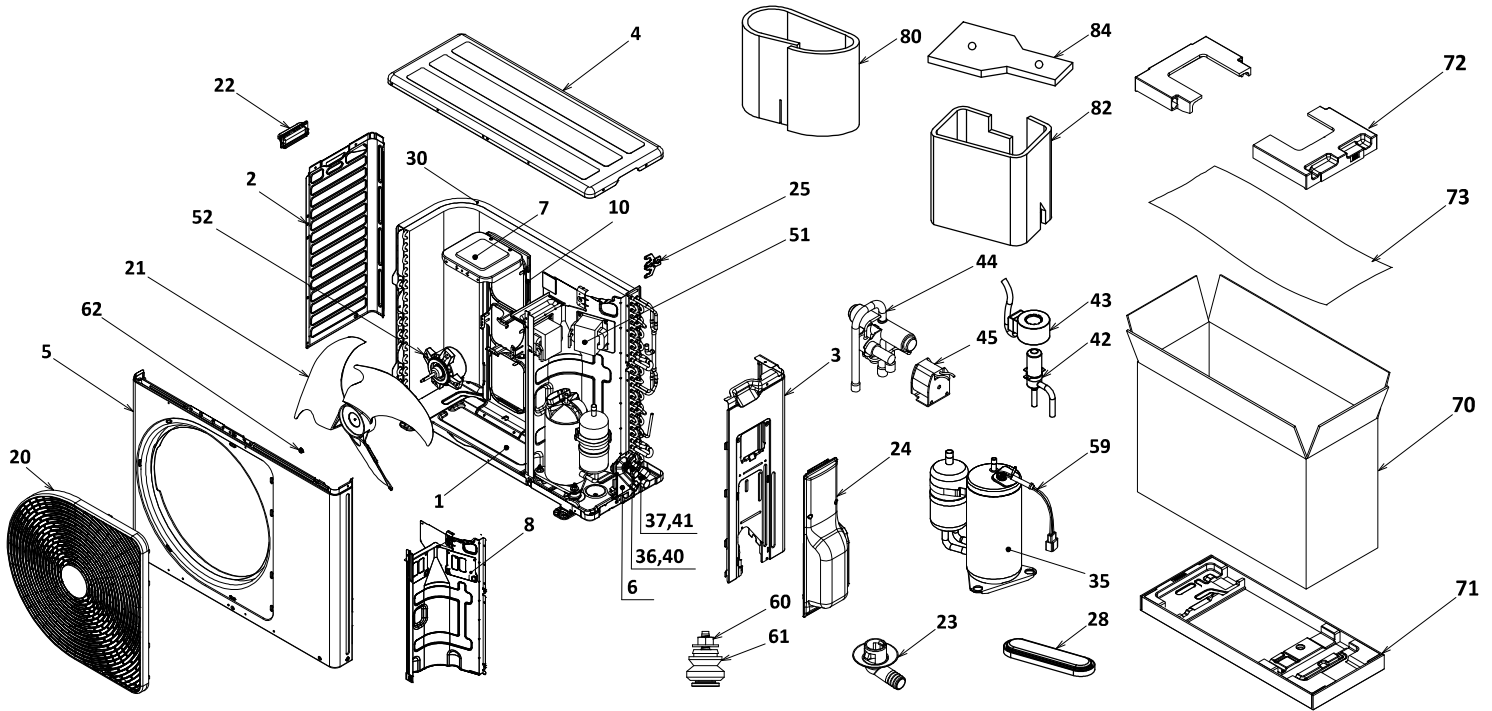
RAS-18, 22J2AVSG-E



| Location No. | Part No. | Description                   | Location No. | Part No. | Description               |
|--------------|----------|-------------------------------|--------------|----------|---------------------------|
| 1            | 43T42327 | BASE PLATE ASSEMBLY           | 40           | 43T46435 | VALVE; PACKED 6.35 DIA    |
| 2            | 43T00459 | LEFT CABINET                  | 41           | 43T46461 | VALVE; PACKED 12.7 DIA    |
| 3            | 43T00690 | RIGHT CABINET ASSEMBLY        | 42           | 43T46469 | BODY PMV                  |
| 4            | 43T00735 | UPPER CABINET ASSEMBLY        | 43           | 43T63360 | COIL PMV                  |
| 5            | 43T00688 | FRONT CABINET ASSEMBLY        | 44           | 43T46367 | 4 WAY VALVE               |
| 6            | 43T00448 | FIXING PLATE VALVE            | 45           | 43T63327 | COIL-4WAY                 |
| 7            | 43T39333 | MOTOR BASE CONNECTION PLATE   | 51           | 43T58309 | REACTOR                   |
| 8            | 43T04362 | GUIDE WIND PARTITION ASSEMBLY | 52           | 43T21460 | FAN MOTOR                 |
| 10           | 43T39393 | MOTOR BASE                    | 59           | 43T60494 | LEAD ASSY, COMPRESSOR     |
| 20           | 43T19364 | FAN GUARD                     | 60           | 43T97001 | NUT                       |
| 21           | 43T20319 | PROPELLER FAN                 | 61           | 43T49327 | CUSHION,RUBBER            |
| 23           | 43T79305 | DRAIN NIPPLE                  | 62           | 43T47001 | NUT FLANGE                |
| 24           | 43T00762 | PACKED-VALVE COVER ASSEMBLY   | 70           | 43T91343 | CARTON BOX                |
| 25           | 43T63376 | HOLDER, SENSOR                | 71           | 43T91342 | FIBERBOARD UNDER ASSEMBLY |
| 28           | 43089160 | CAP, WATERPROOF               | 72           | 43T91314 | CUSHION-PKG-UPR           |
| 30           | 43T43562 | CONDENSER ASSEMBLY            | 73           | 43T91301 | PE SHEET                  |
| 35           | 43T41522 | COMPRESSOR                    | 80           | 43T04357 | SOUND INSULATION(IS)      |
| 36           | 43T47403 | BONNET, 6.35 DIA              | 82           | 43T04429 | INSULATION SOUND OUTSIDE  |
| 37           | 43T47405 | BONNET, 12.7 DIA              | 84           | 43T04358 | SOUND INSULATION(UP)      |

# 13-4. Outdoor Unit

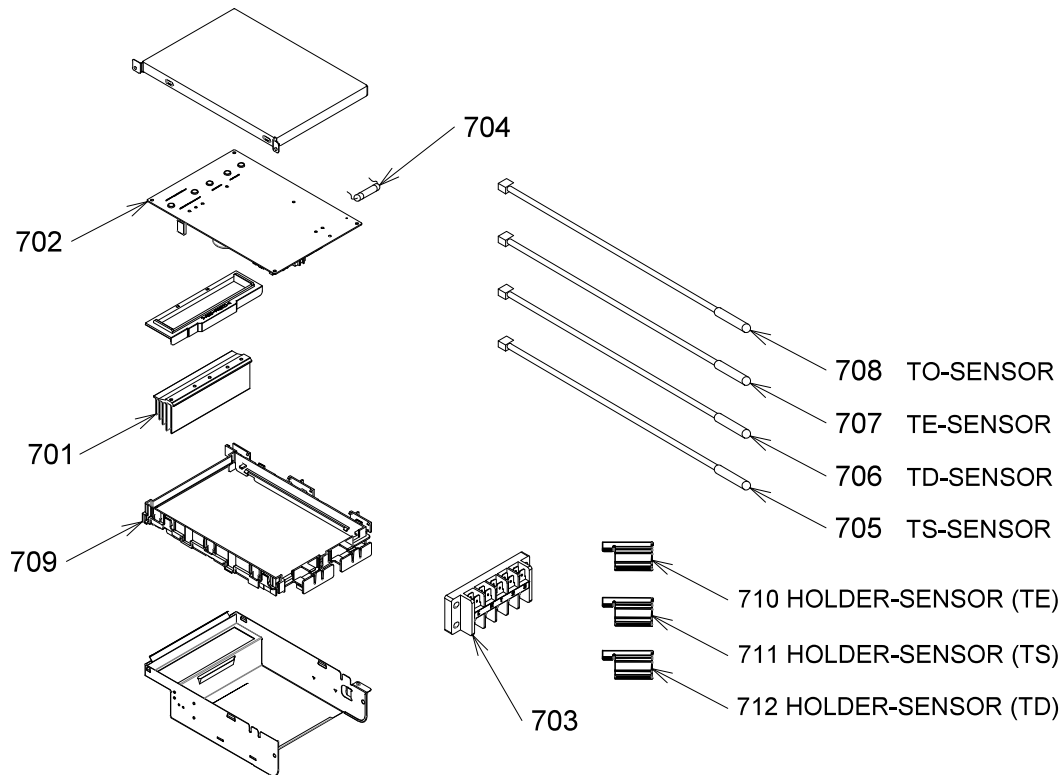
RAS-24J2AVSG-E



| Location No. | Part No. | Description                   | Location No. | Part No. | Description               |
|--------------|----------|-------------------------------|--------------|----------|---------------------------|
| 1            | 43T42345 | BASE PLATE ASSEMBLY           | 40           | 43T46435 | VALVE; PACKED 6.35 DIA    |
| 2            | 43T00560 | LEFT CABINET                  | 41           | 43T46507 | VALVE; PACKED 12.7 DIA    |
| 3            | 43T00719 | RIGHT SIDE CABINET ASSEMBLY   | 42           | 43T46469 | BODY PMV                  |
| 4            | 43T00561 | UPPER CABINET                 | 43           | 43T63360 | COIL PMV                  |
| 5            | 43T00774 | FRONT CABINET                 | 44           | 43T46367 | 4 WAY VALVE               |
| 6            | 43T00448 | FIXING PLATE VALVE            | 45           | 43T63327 | COIL-4WAY                 |
| 7            | 43T39341 | MOTOR BASE CONNECTION PLATE   | 51           | 43T58306 | REACTOR                   |
| 8            | 43T04383 | GUIDE WIND PARTITION ASSEMBLY | 52           | 4302C103 | MOTOR-FAN                 |
| 10           | 43T39374 | MOTOR BASE                    | 59           | 43T60497 | LEAD ASSY, COMPRESSOR     |
| 20           | 43T19371 | FAN GUARD                     | 60           | 43T47001 | NUT FLANGE                |
| 21           | 43T20331 | PROPELLER FAN                 | 61           | 43T49327 | CUSHION,RUBBER            |
| 22           | 43T19350 | HANDLE                        | 62           | 43T47001 | NUT FLANGE                |
| 23           | 43T79305 | DRAIN NIPPLE                  | 70           | 43T91336 | CARTON-BOX                |
| 24           | 43T00762 | PACKED-VALVE COVER ASSEMBLY   | 71           | 43T91381 | FIBERBOARD UNDER ASSEMBLY |
| 25           | 43T63376 | HOLDER, SENSOR                | 72           | 43T91337 | CUSHION PACKING UPPER     |
| 28           | 43089160 | CAP, WATERPROOF               | 73           | 43T91301 | PE SHEET                  |
| 30           | 43T43563 | CONDENSER ASSEMBLY            | 80           | 43T04431 | INSULATION SOUND INSIDE   |
| 35           | 43T41523 | COMPRESSOR                    | 82           | 43T04430 | INSULATION SOUND OUTSIDE  |
| 36           | 43T47403 | BONNET, 6.35 DIA              | 84           | 43T04358 | SOUND INSULATION(UP)      |
| 37           | 43T47405 | BONNET, 12.7 DIA              |              |          |                           |

### 13-5. Outdoor Unit (Part-E)

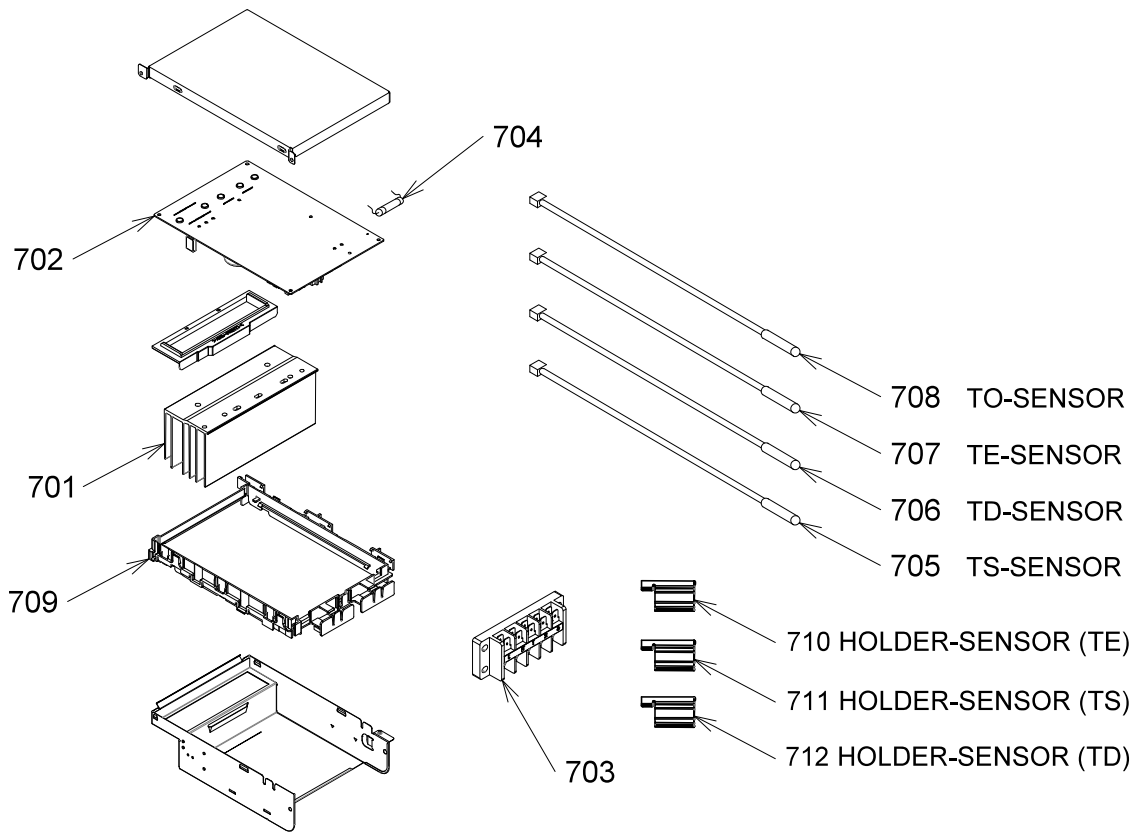
RAS-18, 22J2AVSG-E



| Location No. | Part No. | Description                        | Location No. | Part No. | Description        |
|--------------|----------|------------------------------------|--------------|----------|--------------------|
| 701          | 43T62351 | HEATSINK                           | 707          | 43T50352 | TEMPERATURE SENSOR |
| 702          | 43T6W708 | PC BOARD ASSY (FOR RAS-18J2AVSG-E) | 708          | 43T50360 | TC-SENSOR(TO)      |
| 702          | 43T6W709 | PC BOARD ASSY (FOR RAS-22J2AVSG-E) | 709          | 43T62313 | PC PLATE BASE      |
| 703          | 43T60392 | TERMINAL-5P                        | 710          | 43T63318 | HOLDER SENSOR      |
| 704          | 43T60326 | FUSE                               | 711          | 43T63316 | HOLDER,SENSOR      |
| 705          | 43T50353 | TEMPERATURE SENSOR                 | 712          | 43T63317 | HOLDER,SENSOR      |
| 706          | 43T50334 | TEMPERATURE SENSOR                 |              |          |                    |

### 13-6. Outdoor Unit (Part-E)

RAS-24J2AVSG-E



| Location No. | Part No. | Description        | Location No. | Part No. | Description        |
|--------------|----------|--------------------|--------------|----------|--------------------|
| 701          | 43T67310 | HEATSINK           | 707          | 43T50352 | TEMPERATURE SENSOR |
| 702          | 43T6W710 | PC BOARD ASSY      | 708          | 43T50360 | TC-SENSOR(TO)      |
| 703          | 43T60392 | TERMINAL-5P        | 709          | 43T62313 | PC PLATE BASE      |
| 704          | 43T60326 | FUSE               | 710          | 43T63318 | HOLDER SENSOR      |
| 705          | 43T50353 | TEMPERATURE SENSOR | 711          | 43T63316 | HOLDER,SENSOR      |
| 706          | 43T50334 | TEMPERATURE SENSOR | 712          | 43T63317 | HOLDER,SENSOR      |