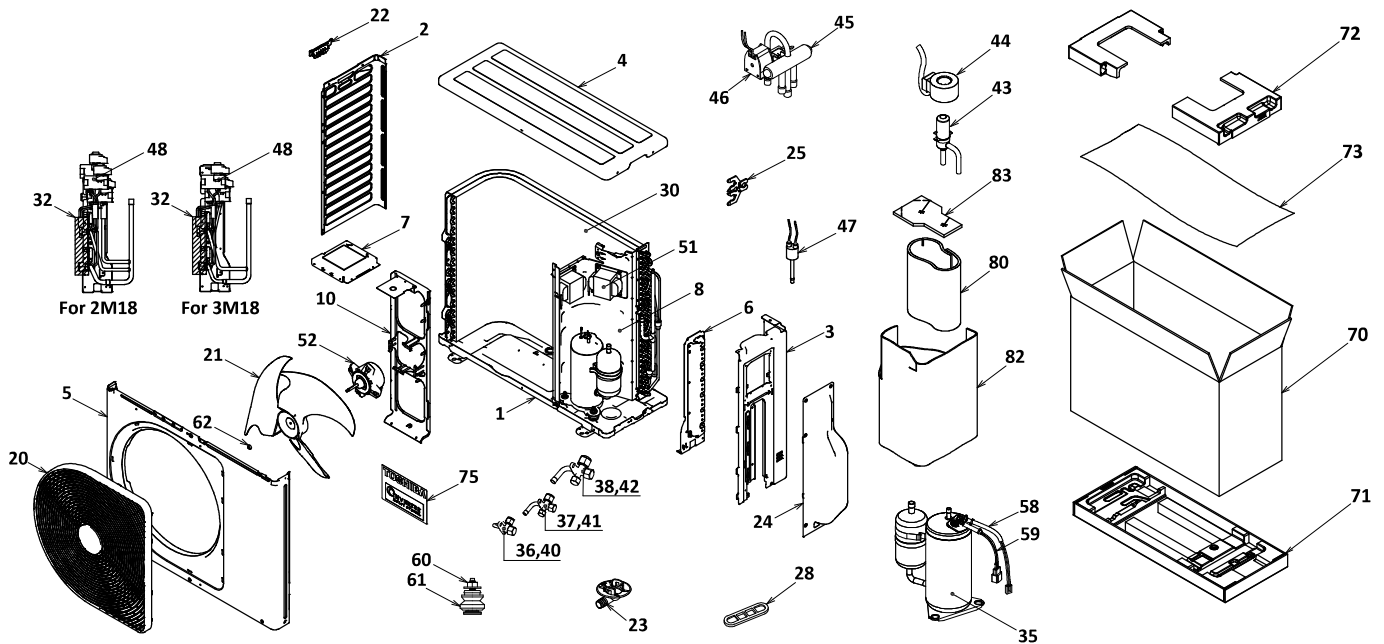


13. EXPLODED VIEWS AND PARTS LIST

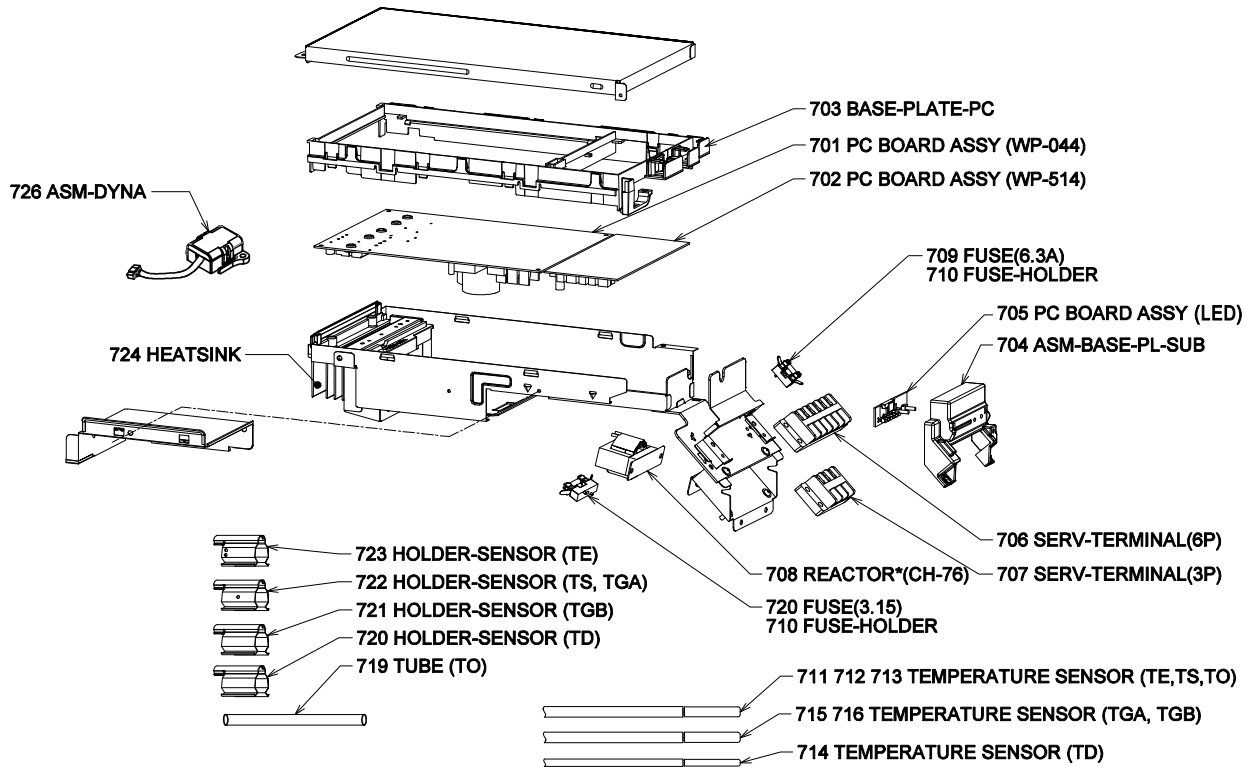
13-1. Outdoor Unit



Location No.	Part No.	Description	Location No.	Part No.	Description
1	43T42383	BASE PLATE ASSEMBLY	43	43T46534	BODY-PMV
2	43T00560	LEFT CABINET	44	43T46535	COIL-PMV
3	43T00672	RIGHT SIDE CABINET ASSEMBLY	45	43T46424	4 WAY VALVE
4	43T00561	UPPER CABINET	46	43T63327	COIL-4WAY
5	43T00718	FRONT CABINET	47	43T63381	HIGH PRESSURE SWITCH ASSEMBLY
6	43T02303	FIXING PLATE VALVE ASSEMBLY	48	43T45324	SERVICING ASSY PLATE FIXING (FOR RAS-2M18G3AVG-E,-TR)
7	43T39363	MOTOR BASE CONNECTION PLATE	48	43T45325	SERVICING ASSY PLATE FIXING (FOR RAS-3M18G3AVG-E,-TR)
8	43T04343	PARTITION ASSEMBLY	51	43T58327	REACTOR
10	43T39374	MOTOR BASE	52	43T21460	MOTOR FAN
20	43T19371	FAN GUARD	58	43T50432	TEMPERATURE SENSOR
21	43T20331	PROPELLER FAN	59	43T60563	LEAD ASSY,COMPRESSOR
22	43T19350	HANDLE	60	43T97001	NUT
23	43T79325	DRAIN NIPPLE	61	43T49327	CUSHION,RUBBER
24	43T00673	PACKED VALVE COVER ASSEMBLY	62	43T47001	NUT FLANGE
25	43T63376	HOLDER, SENSOR	70	43T91336	CARTON-BOX
28	43089160	CAP, WATERPROOF	71	43T91348	FIBERBOARD UNDER ASSEMBLY
30	43T43583	CONDENSER ASSEMBLY	72	43T91337	CUSHION PACKING UPPER
32	43T49399	BUTYL RUBBER	73	43T91301	PE SHEET
35	43T41573	COMPRESSOR	75	43T85591	MARK-T
36	43T47403	BONNET, 6.35 DIA	80	43T04413	SOUND INSULATION(IS)
37	43T47404	BONNET, 9.52 DIA	82	43T04461	SOUND INSULATION(OS)
38	43T47405	BONNET, 12.7 DIA (FOR RAS-3M18G3AVG-E,-TR)	83	43T04416	SOUND INSULATION(UP)
40	43T46358	VALVE;PACKED 6.35 DIA			
41	43T46366	VALVE;PACKED 9.52 DIA			
42	43T46374	VALVE;PACKED 12.7 DIA (FOR RAS-3M18G3AVG-E,-TR)			

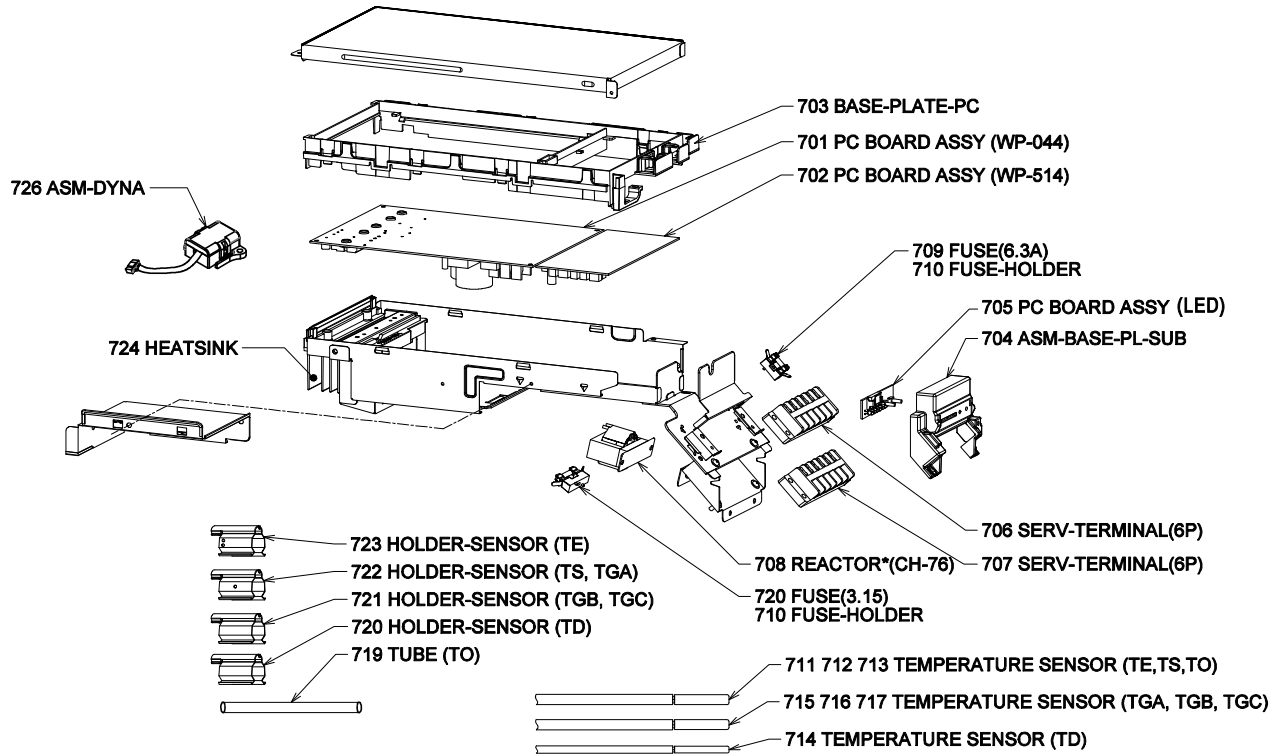
13-2. Inverter Assembly

RAS-2M18G3AVG-E, -TR



Location No.	Part No.	Description	Location No.	Part No.	Description
701	43TN9832	ASM-L-PCB	713	43T50360	TC-SENSOR(TO)
702	43TN9835	PC BOARD ASSY	714	43T50334	TEMPERATURE SENSOR
703	43T61325	BASE,PC BORAD	715	43T50361	SENSOR-TEMP
704	43T61320	BASE, PC BOARD	716	43T50362	SENSOR-TEMP
705	43TN9875	PC BOARD ASSY(LED)	718	43T62401	TUBE
706	43T60423	SERV-TERMINAL	719	43T63317	HOLDER,SENSOR
707	43T60427	TERMINAL BLOCK	720	43T60361	FUSE
708	43T58341	REACTOR	721	43T63316	HOLDER,SENSOR
709	43T60426	FUSE	722	43T63323	HOLDER,SENSOR
710	43T60564	HOLDER-FUSE	723	43T63318	HOLDER SENSOR
711	43T50352	TEMPERATURE SENSOR	724	43T62371	HEAT-SINK
712	43T50336	TEMPERATURE SENSOR	726	43T61366	ASM-DYNA

RAS-3M18G3AVG-E, -TR



Location No.	Part No.	Description	Location No.	Part No.	Description
701	43TN9832	ASM-L-PCB	714	43T50334	TEMPERATURE SENSOR
702	43TN9836	PC BOARD ASSY	715	43T50361	SENSOR-TEMP
703	43T61325	BASE,PC BORAD	716	43T50362	SENSOR-TEMP
704	43T61320	BASE, PC BOARD	717	43T50363	SENSOR-TEMP
705	43TN9875	PC BOARD ASSY(LED)	718	43T62401	TUBE
706	43T60423	SERV-TERMINAL	719	43T63317	HOLDER,SENSOR
708	43T58341	REACTOR	720	43T60361	FUSE
709	43T60426	FUSE	721	43T63316	HOLDER,SENSOR
710	43T60564	HOLDER-FUSE	722	43T63323	HOLDER,SENSOR
711	43T50352	TEMPERATURE SENSOR	723	43T63318	HOLDER SENSOR
712	43T50336	TEMPERATURE SENSOR	724	43T62371	HEAT-SINK
713	43T50360	TC-SENSOR(TO)	726	43T61366	ASM-DYNA