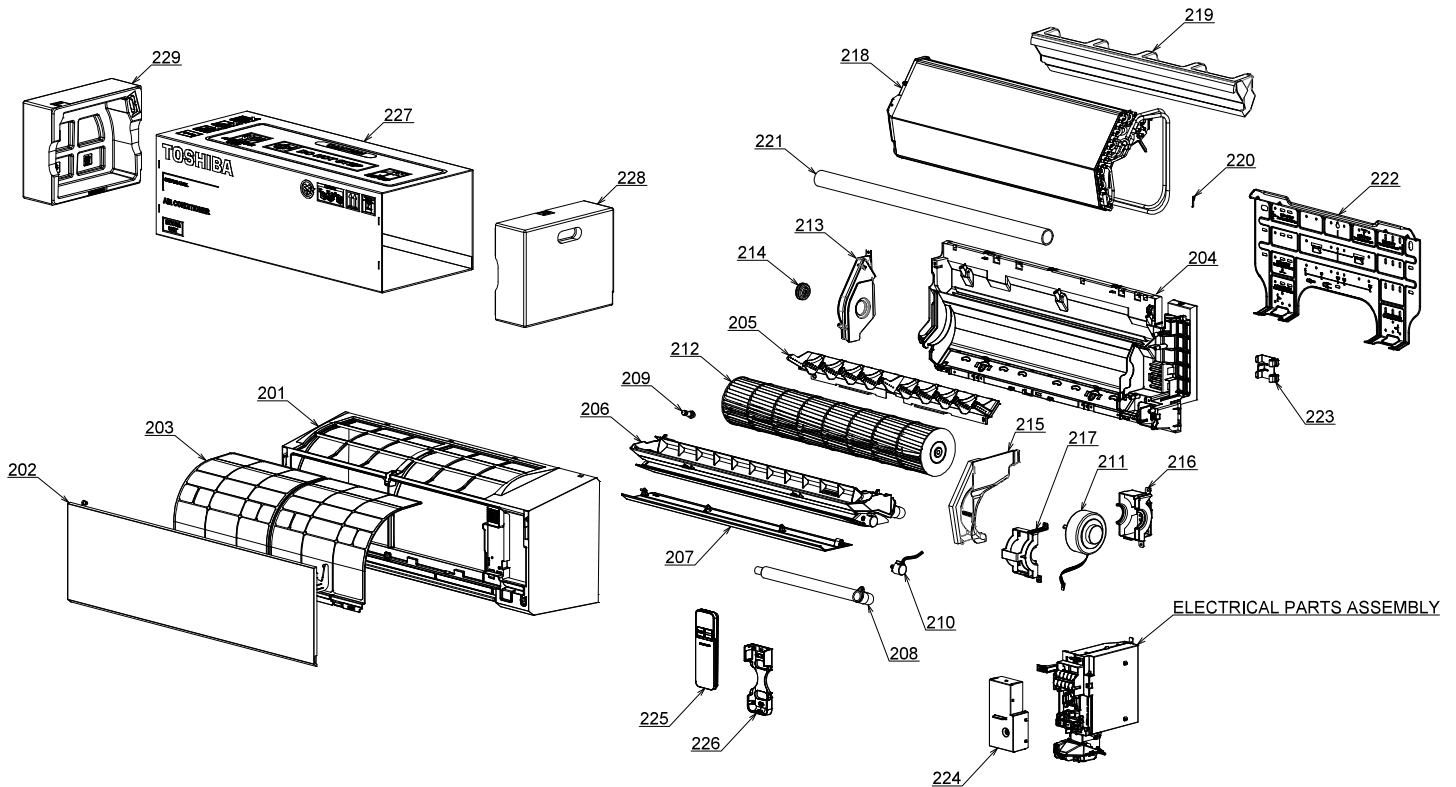


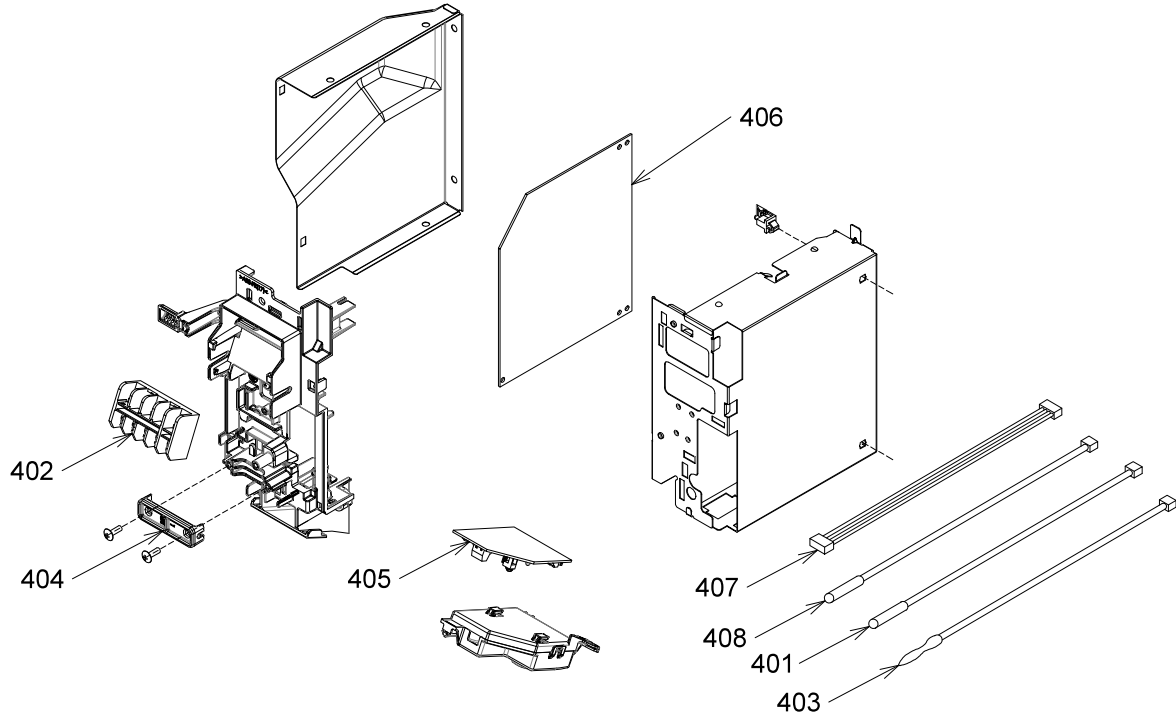
13. EXPLODED VIEWS AND PARTS LIST

13-1. Indoor Unit



Location No.	Part No.	Description	Location No.	Part No.	Description
201	43T00777	FRONT PANEL ASSY	217	43T39369	MOTOR BAND FRONT
202	43T09585	GRILLE OF AIR INLET ASSY	218	43T44680	REFRIGERATION CYCLE ASSY (FOR RAS-B07,B10,B13J2KVSG-E)
203	43T80357	AIR FILTER			(FOR RAS-B07,B10,B13N4KVSG-E)
204	43T03417	BACK BODY ASSY	218	43T44681	REFRIGERATION CYCLE ASSY (FOR RAS-B16J2KVSG-E/N4KVSG-E)
205	43T22343	VERTICAL LOUVER ASSY	220	43T19333	HOLDER, SENSOR
206	43T72350	DRAIN PAN ASSY	221	43T11321	PIPE-SHIELD
207	43T22364	HORIZONTAL LOUVER	222	43T82332	INSTALLATION PLATE
208	43T70321	DRAIN HOSE	223	43T49368	PIPE HOLDER
209	43T79322	DRAIN CAP	224	43T62360	TERMINAL COVER ASSY
210	43T21478	MOTOR; STEPPING	225	43T66403	WIRELESS REMOCO
211	43T21495	FAN-MOTOR	226	43T83305	HOLDER, REMOTE CONTROL
212	43T20344	CROSS FLOW FAN ASSY	227	43T91305	PACKING SLEEVE
213	43T39365	BASE BEARING	228	43T91395	PACKING CUSHION RIGHT
214	43T22312	BEARING ASSY, MOLD	229	43T91396	PACKING CUSHION LEFT
215	43T39364	MOTOR COVER			
216	43T39368	MOTOR BAND BACK			

13-2. Indoor Unit (Part-E)

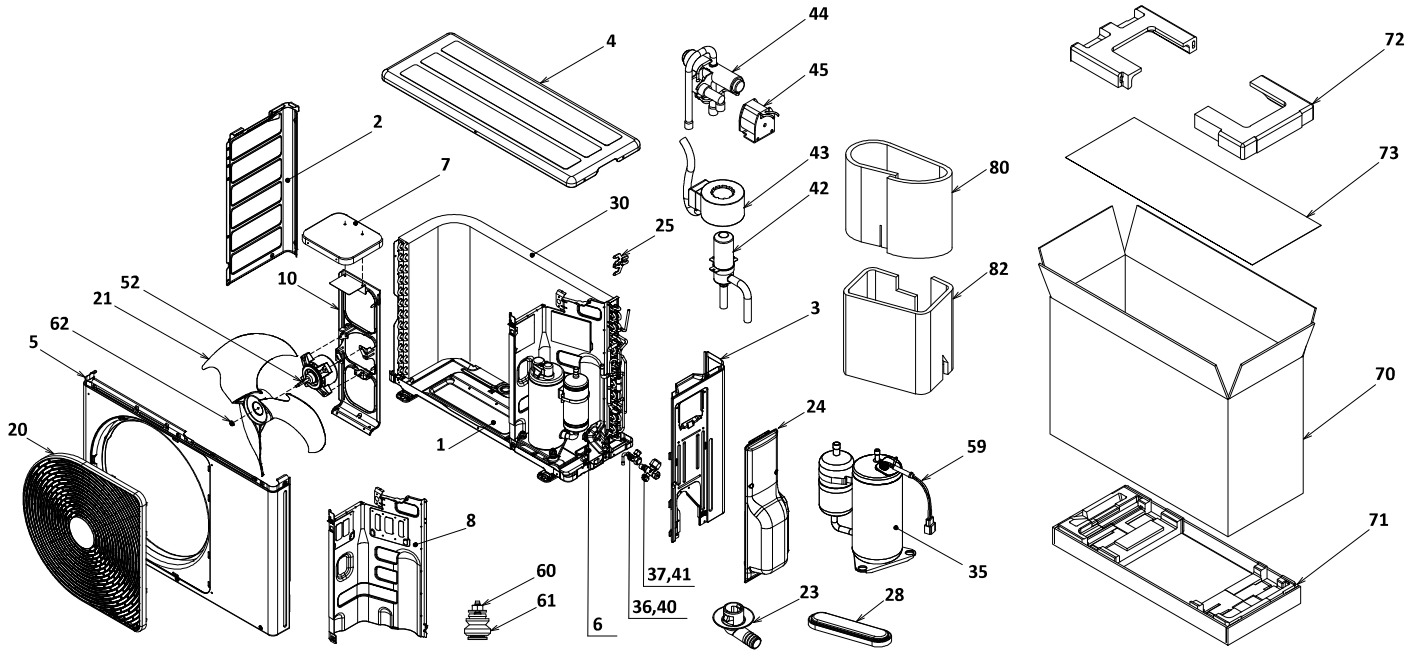


Location No.	Part No.	Description
401	43T50393	TEMPERATURE SENSOR
402	43T6V673	TERMINAL(5P-TF)
403	43T50392	SENSOR,THERMOSTAT
404	43T62340	CORD-CLAMP
405	43T6W727	PC BOARD ASSY : WRS-LED
406	43T6W713	PC BOARD ASSY (FOR RAS-B07J2KVSG-E/N4KVSG-E)

Location No.	Part No.	Description
406	43T6W715	PC BOARD ASSY (FOR RAS-B10J2KVSG-E/N4KVSG-E)
406	43T6W717	PC BOARD ASSY (FOR RAS-B13J2KVSG-E/N4KVSG-E)
406	43T6W719	PC BOARD ASSY (FOR RAS-B16J2KVSG-E/N4KVSG-E)
407	43T60502	HOUSING-WIFI
408	43T50306	TEMPERATURE SENSOR

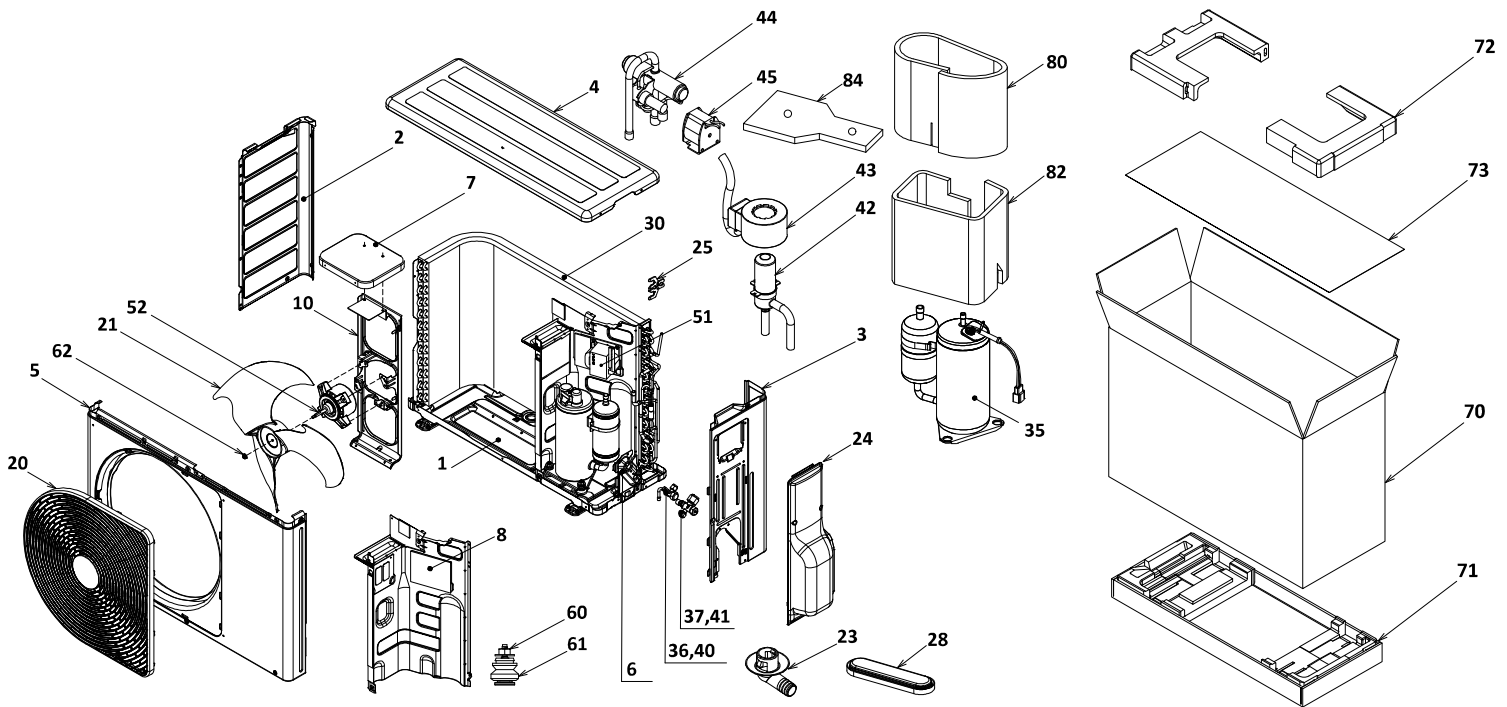
13-3. Outdoor Unit

RAS-07, 10, 13J2AVSG-E



Location No.	Part No.	Description	Location No.	Part No.	Description
1	43T42327	BASE PLATE ASSEMBLY	36	43T47403	BONNET, 6.35 DIA
2	43T00459	LEFT CABINET	37	43T47404	BONNET, 9.52 DIA
3	43T00690	RIGHT CABINET ASSEMBLY	40	43T46435	VALVE; PACKED 6.35 DIA
4	43T00735	UPPER CABINET ASSEMBLY	41	43T46436	VALVE; PACKED 9.52 DIA
5	43T00737	FRONT CABINET ASSEMBLY	42	43T46469	BODY PMV
6	43T00448	FIXING PLATE VALVE	43	43T63360	COIL PMV
7	43T39333	MOTOR BASE CONNECTION PLATE	44	43T46367	4 WAY VALVE
8	43T04330	PARTITION ASSEMBLY (FOR RAS-07, 10J2AVSG-E)	44	43T46470	4 WAY VALVE (FOR RAS-13J2AVSG-E)
8	43T04340	PARTITION ASSEMBLY (FOR RAS-13J2AVSG-E)	45	43T63327	COIL-4WAY (FOR RAS-07, 10J2AVSG-E)
10	43T39393	MOTOR BASE	45	43T63361	COIL-4WAY (FOR RAS-13J2AVSG-E)
20	43T19364	FAN GUARD	52	43T21460	FAN MOTOR
21	43T20319	PROPELLER FAN	59	43T60505	LEAD ASSY, COMPRESSOR
23	43T79305	DRAIN NIPPLE	60	43T97001	NUT
24	43T00762	PACKED-VALVE COVER ASSEMBLY	61	43T49327	CUSHION,RUBBER
25	43T63376	HOLDER, SENSOR	62	43T47001	NUT FLANGE
28	43089160	CAP, WATERPROOF	70	43T91343	CARTON BOX
30	43T43545	CONDENSER ASSEMBLY (FOR RAS-13J2AVSG-E)	71	43T91342	FIBERBOARD UNDER ASSEMBLY
30	43T43603	CONDENSER ASSEMBLY (FOR RAS-07, 10J2AVSG-E)	72	43T91314	CUSHION-PKG-UPR
35	43T41521	COMPRESSOR (FOR RAS-13J2AVSG-E)	73	43T91301	PE SHEET
35	43T41533	COMPRESSOR (FOR RAS-07, 10J2AVSG-E)	80	43T04357	SOUND INSULATION(IS)
			82	43T04429	INSULATION SOUND OUTSIDE

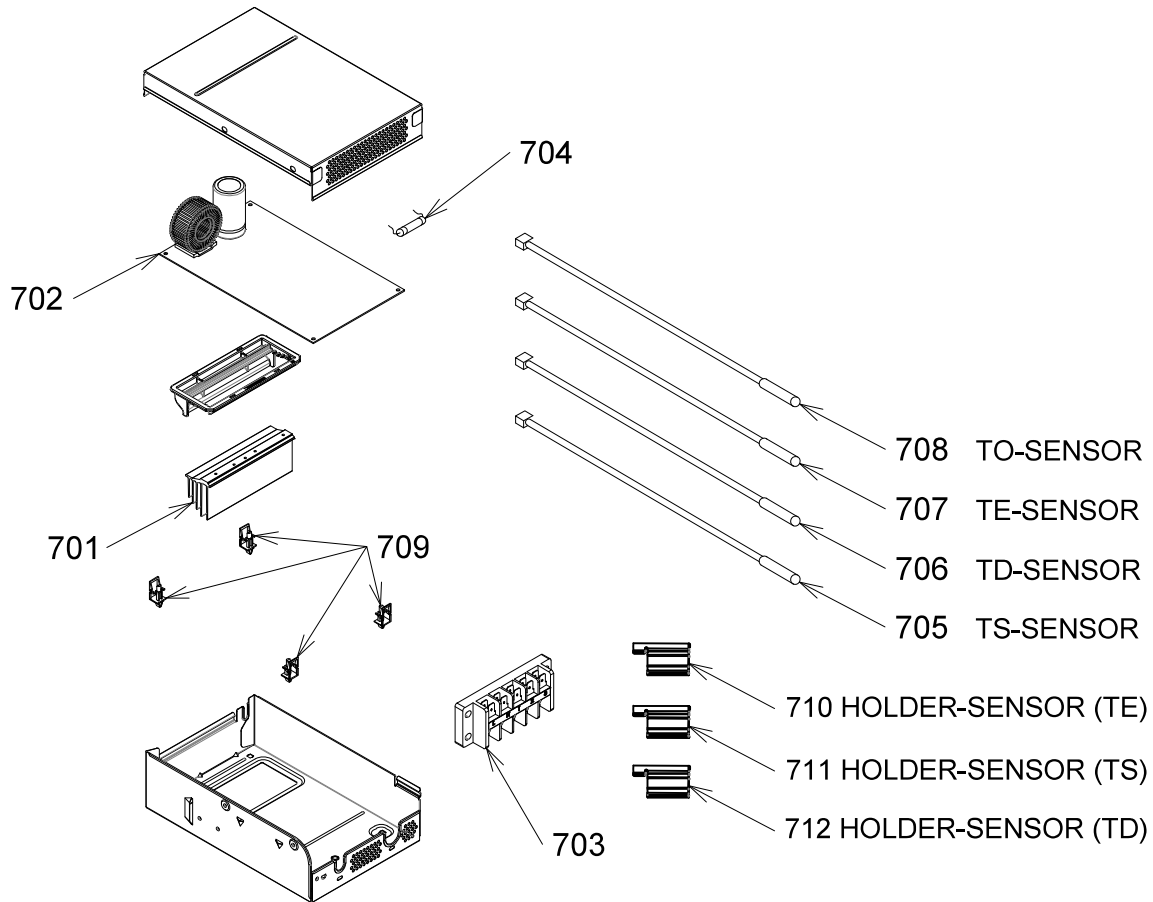
13-4. Outdoor Unit
RAS-16J2AVSG-E



Location No.	Part No.	Description	Location No.	Part No.	Description
1	43T42327	BASE PLATE ASSEMBLY	40	43T46435	VALVE; PACKED 6.35 DIA
2	43T00459	LEFT CABINET	41	43T46461	VALVE; PACKED 12.7 DIA
3	43T00690	RIGHT CABINET ASSEMBLY	42	43T46469	BODY PMV
4	43T00735	UPPER CABINET ASSEMBLY	43	43T63360	COIL PMV
5	43T00688	FRONT CABINET ASSEMBLY	44	43T46367	4 WAY VALVE
6	43T00448	FIXING PLATE VALVE	45	43T63327	COIL-4WAY
7	43T39333	MOTOR BASE CONNECTION PLATE	51	43T58309	REACTOR
8	43T04362	GUIDE WIND PARTITION ASSEMBLY	52	43T21460	FAN MOTOR
10	43T39393	MOTOR BASE	59	43T60494	LEAD ASSY, COMPRESSOR
20	43T19364	FAN GUARD	60	43T97001	NUT
21	43T20319	PROPELLER FAN	61	43T49327	CUSHION,RUBBER
23	43T79305	DRAIN NIPPLE	62	43T47001	NUT FLANGE
24	43T00762	PACKED-VALVE COVER ASSEMBLY	70	43T91343	CARTON BOX
25	43T63376	HOLDER, SENSOR	71	43T91342	FIBERBOARD UNDER ASSEMBLY
28	43089160	CAP, WATERPROOF	72	43T91314	CUSHION-PKG-UPR
30	43T43545	CONDENSER ASSEMBLY	73	43T91301	PE SHEET
35	43T41500	COMPRESSOR	80	43T04357	SOUND INSULATION(IS)
36	43T47403	BONNET, 6.35 DIA	82	43T04429	INSULATION SOUND OUTSIDE
37	43T47405	BONNET, 12.7 DIA	84	43T04358	SOUND INSULATION(UP)

13-5. Outdoor Unit (Part-E)

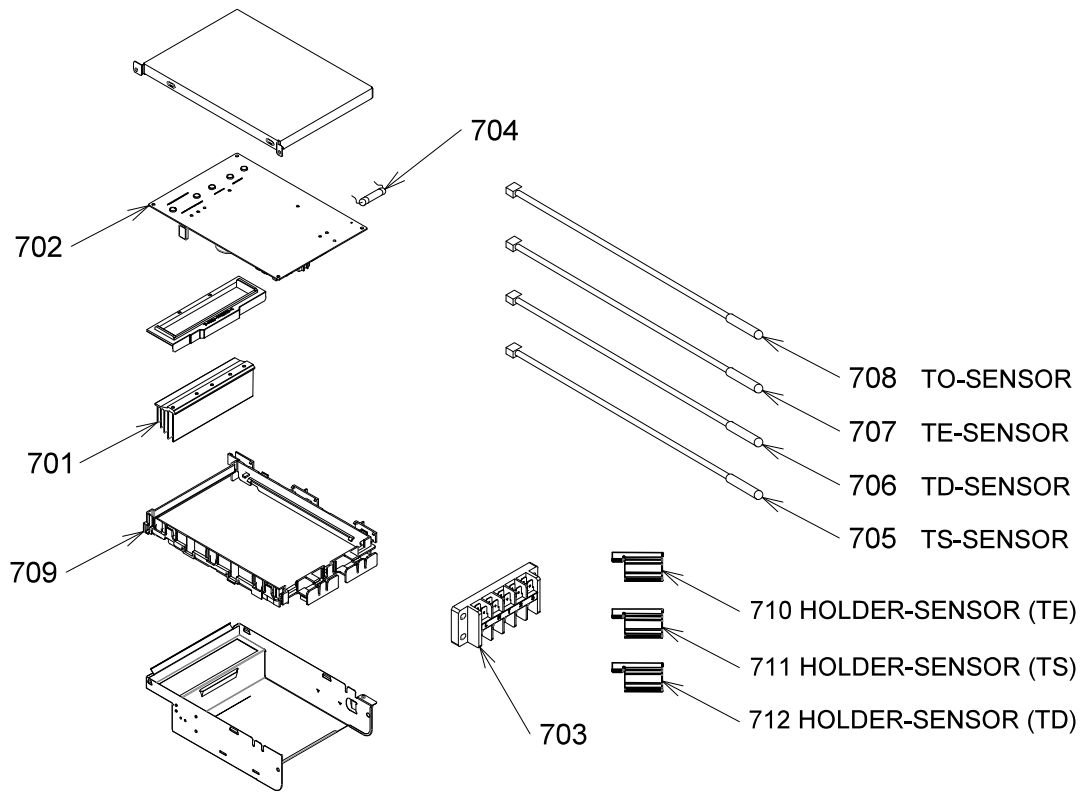
RAS-07, 10, 13J2AVSG-E



Location No.	Part No.	Description	Location No.	Part No.	Description
701	43T67311	HEATSINK	706	43T50334	TEMPERATURE SENSOR
702	43T6W704	PC BOARD ASSY (FOR RAS-07J2AVSG-E)	707	43T50352	TEMPERATURE SENSOR
702	43T6W705	PC BOARD ASSY (FOR RAS-10J2AVSG-E)	708	43T50360	TC-SENSOR(TO)
702	43T6W706	PC BOARD ASSY (FOR RAS-13J2AVSG-E)	709	43T95304	SPACER-KGES
703	43T60392	TERMINAL-5P	710	43T63318	HOLDER SENSOR
704	43T60459	FUSE	711	43T63316	HOLDER,SENSOR
705	43T50353	TEMPERATURE SENSOR	712	43T63317	HOLDER,SENSOR

13-6. Outdoor Unit (Part-E)

RAS-16J2AVSG-E



Location No.	Part No.	Description	Location No.	Part No.	Description
701	43T62351	HEATSINK	707	43T50352	TEMPERATURE SENSOR
702	43T6W707	PC BOARD ASSY	708	43T50360	TC-SENSOR(TO)
703	43T60392	TERMINAL-5P	709	43T62313	PC PLATE BASE
704	43T60326	FUSE	710	43T63318	HOLDER SENSOR
705	43T50353	TEMPERATURE SENSOR	711	43T63316	HOLDER,SENSOR
706	43T50334	TEMPERATURE SENSOR	712	43T63317	HOLDER,SENSOR