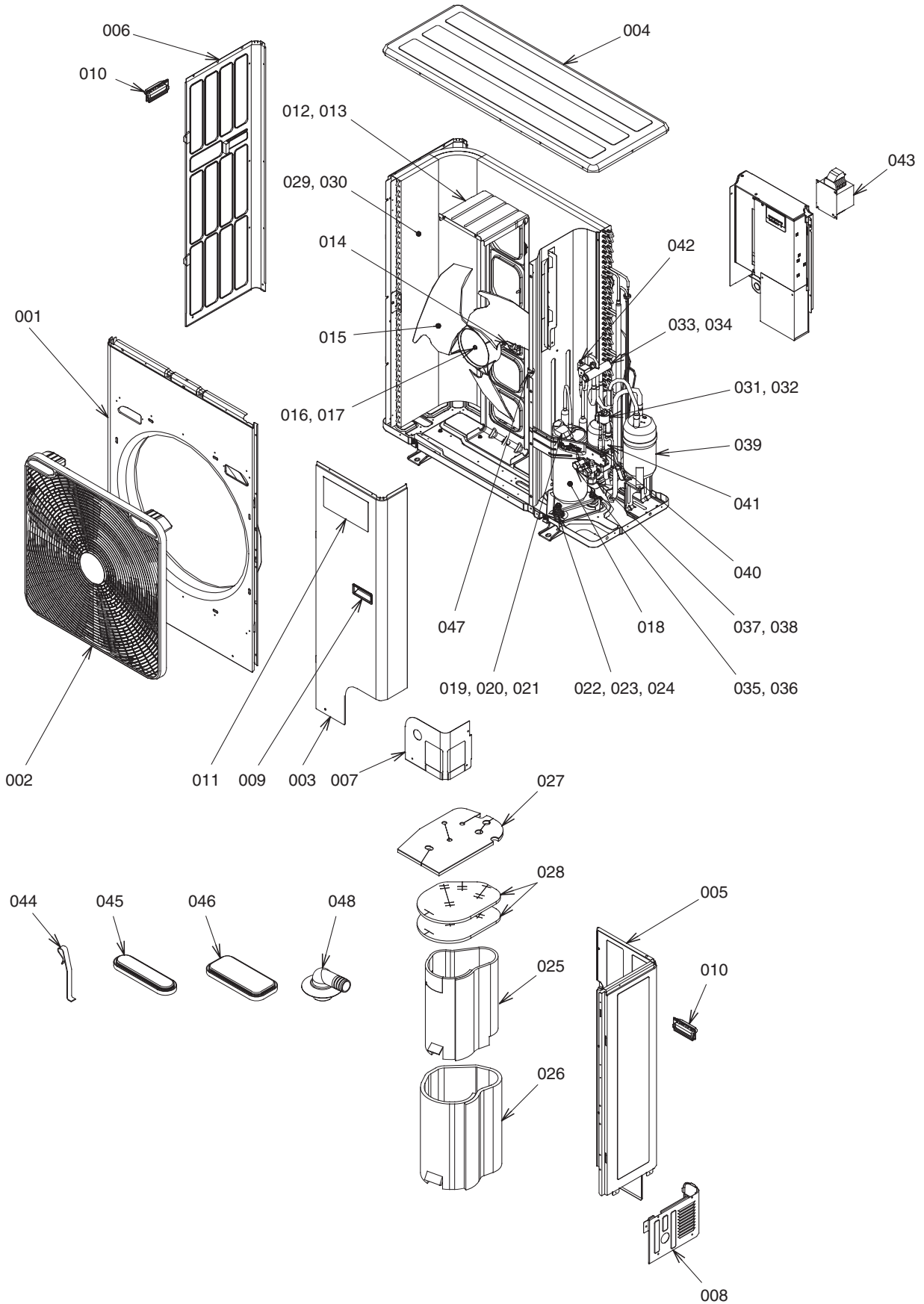


# 14. EXPLODED VIEWS AND PARTS LIST

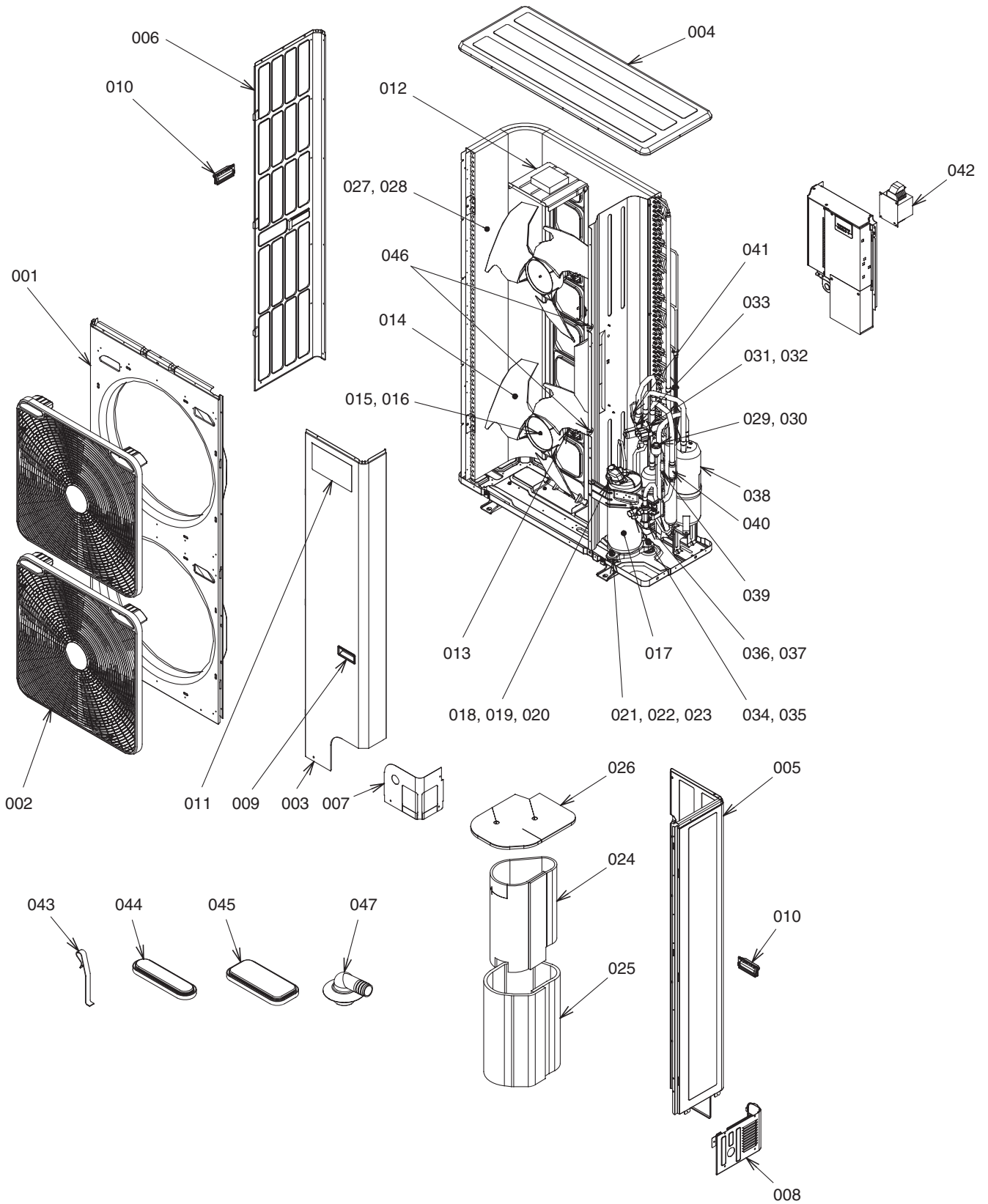
## 14-1. Outdoor Unit

RAV-GP801AT(J)-E, RAV-GP801AT-TR



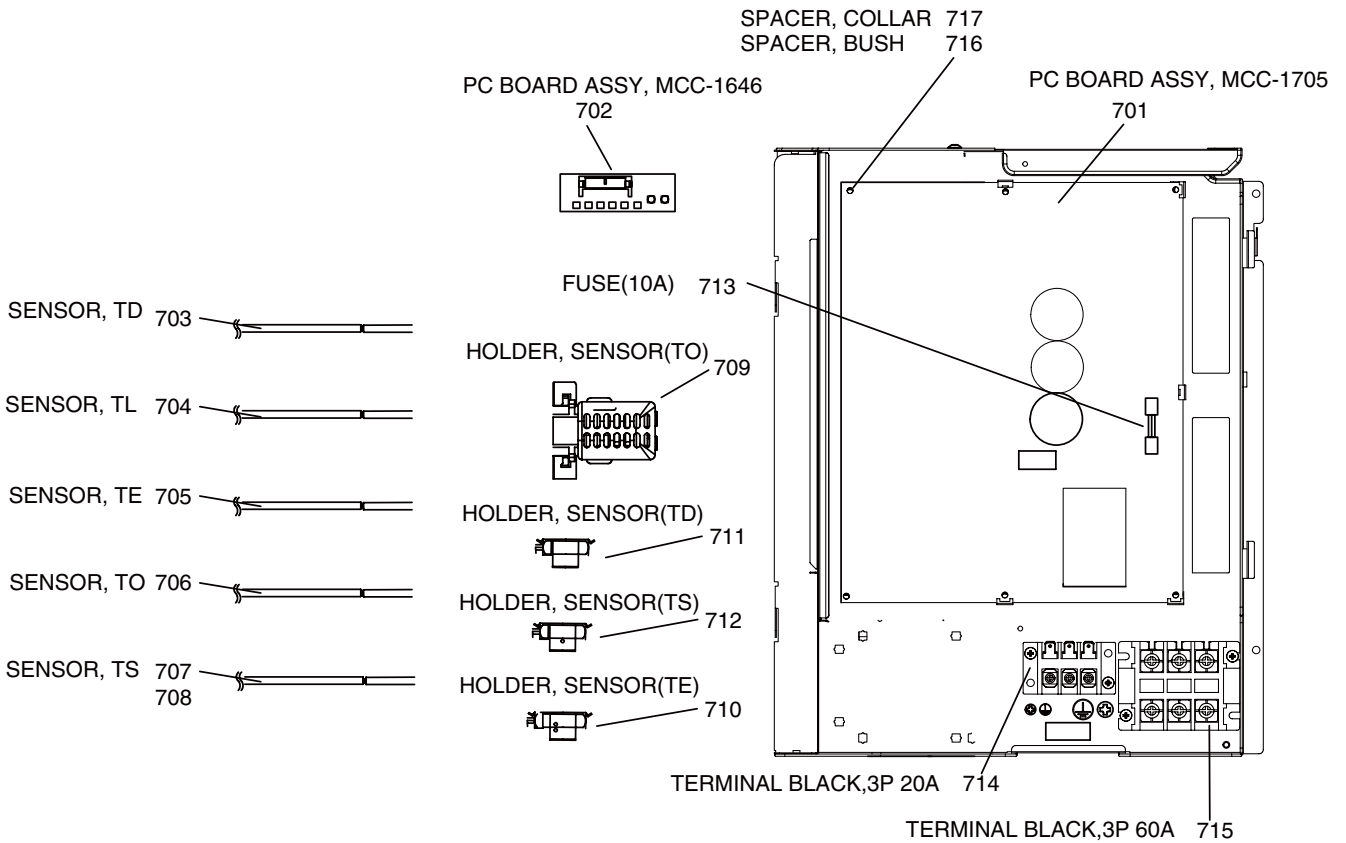
Location No.	Part No.	Description	Q'ty/Set RAV-GP		
			801AT-E	801AT-TR	801ATJ-E
001	4310A122	PANEL, AIR OUTLET	1	1	1
002	43109437	GUARD, FAN	1	1	1
003	4310A123	PANEL, FRONT	1	1	1
004	4310A117	PANEL, ROOF	1	1	1
005	4310A124	PANEL, SIDE	1	1	1
006	4310A165	PANEL, SIDE, LEFT	1	1	1
007	43100437	PANEL, FRONT, PIPING	1	1	1
008	4310A115	PANEL, BACK, PIPING	1	1	1
009	43107276	HANGER	1	1	1
010	43107295	HADLE, HANGER	2	2	2
011	4311M659	MARK, TOSHIBA	1	1	1
012	43122153	SUPPORTER, MOTOR	1	1	
013	43122154	SUPPORTER, MOTOR			1
014	4312C042	MOTOR, FAN, ICF-280-A60-1	1	1	1
015	43120270	FAN, PROPELLER, PS561	1	1	1
016	43F47669	NUT, FLANGE	1	1	
017	43197164	NUT, FLANGE			1
018	43141322	COMPRESSOR, NX220A1F-20N	1	1	1
019	43160654	LEAD ASSY, COMPRESSOR	1	1	1
020	43F50407	THERMOSTAT,BIMETAL	1	1	1
021	43F63317	HOLDER,THERMOSTAT	1	1	1
022	43197183	BOLT, COMPRESSOR	3	3	
023	43197184	BOLT, COMPRESSOR			3
024	43F49625	CUSHION, RUBBER	3	3	3
025	43111366	INSULATOR, SOUND, IN	1	1	1
026	43111367	INSULATOR, SOUND, OUT	1	1	1
027	43111379	INSULATOR, SOUND, UP	1	1	1
028	43111380	INSULATOR, SOUND, UP	2	2	2
029	4314G322	CONDENSER ASSY	1	1	
030	4314G324	CONDENSER ASSY			1
031	4314N111	VALVE, PULSE, MODULATING	1	1	1
032	4314N030	COIL, PMV, UKV-A040	1	1	1
033	43F46500	VALVE, 4WAY, STF-H0218	1	1	1
034	4314N108	COIL, VALVE, 4WAY, STF-H01AZ1724A1	1	1	1
035	4314N092	VALVE, PACKED, 3/8 IN	1	1	1
036	43F47401	BONNET, 3/8 IN	1	1	1
037	4314N107	VALVE, PACKED, 5/8 IN	1	1	1
038	43147194	BONNET, 5/8 IN	1	1	1
039	43148293	ACCUMULATOR	1	1	1
040	4314Q031	STRAINER, 3/8 IN	1	1	1
041	4314Q032	STRAINER	1	1	1
042	43151301	SWITCH, PRESSURE	1	1	1
043	43158243	REACTOR, CH-101	1	1	1
044	43F19904	HOLDER, SENSOR (TS)	1	1	1
045	43F89160	CAP, WATERPROOF	1	1	1
046	43179165	CAP, WATERPROOF	4	4	4
047	43196113	BUSHING	1	1	1
048	43F32441	NIPPLE, DRAIN	1	1	1

**RAV-GP1101AT(J)-E, RAV-GP1401AT(J)-E  
RAV-GP1101AT-TR, RAV-GP1401AT-TR**



Location No.	Part No.	Description	Q'ty/Set RAV-GP					
			1101 AT-E	1401 AT-E	1101 AT-TR	1401 AT-TR	1101 ATJ-E	1401 ATJ-E
001	4310A114	PANEL, AIR OUTLET	1	1	1	1	1	1
002	43109437	GUARD, FAN	2	2	2	2	2	2
003	4310A116	PANEL, FRONT	1	1	1	1	1	1
004	4310A117	PANEL, ROOF	1	1	1	1	1	1
005	4310A126	PANEL, SIDE	1	1	1	1	1	1
006	4310A127	PANEL, SIDE, LEFT	1	1	1	1	1	1
007	43100437	PANEL, FRONT, PIPING	1	1	1	1	1	1
008	4310A115	PANEL, BACK, PIPING	1	1	1	1	1	1
009	43107276	HANGER	1	1	1	1	1	1
010	43107295	HADLE, HANGER	2	2	2	2	2	2
011	4311M659	MARK, TOSHIBA	1	1	1	1	1	1
012	43122177	SUPPORTER, MOTOR	1	1	1	1	1	1
013	4312C100	MOTOR, FAN, ICF-280-A100-1(A)	2	2	2	2	2	2
014	43120270	FAN, PROPELLER, PS561	2	2	2	2	2	2
015	43F47669	NUT, FLANGE	2	2	2	2		
016	43197164	NUT, FLANGE					2	2
017	43141529	COMPRESSOR, DX380A2T-20M	1	1	1	1	1	1
018	43160654	LEAD ASSY, COMPRESSOR	1	1	1	1	1	1
019	43F50407	THERMOSTAT,BIMETAL	1	1	1	1	1	1
020	43F63317	HOLDER,THERMOSTAT	1	1	1	1	1	1
021	43F97212	NUT	3	3	3	3		
022	43197174	NUT, COMP					3	3
023	43049739	CUSHION, RUBBER	3	3	3	3	3	3
024	43111363	INSULATOR, SOUND, IN	1	1	1	1	1	1
025	43111364	INSULATOR, SOUND, OUT	1	1	1	1	1	1
026	43111365	INSULATOR, SOUND, UP	1	1	1	1	1	1
027	4314G319	CONDENSER ASSY	1	1	1	1		
028	4314G321	CONDENSER ASSY					1	1
029	4314N112	VALVE, PULSE, MODULATING	1	1	1	1	1	1
030	4314N030	COIL, PMV, UKV-A040	1	1	1	1	1	1
031	37546878	VALVE, 4-WAY, STF-H0404	1	1	1	1	1	1
032	4314N108	COIL, VALVE, 4WAY, STF-H01AZ1724A1	1	1	1	1	1	1
033	4314N077	JOINT, CHECK	1	1	1	1	1	1
034	4314N092	VALVE, PACKED, 3/8 IN	1	1	1	1	1	1
035	43F47401	BONNET, 3/8 IN	1	1	1	1	1	1
036	43146724	VALVE, BALL, SBV-JA5GTC-1	1	1	1	1	1	1
037	43147194	BONNET, 5/8 IN	1	1	1	1	1	1
038	43148294	ACCUMULATOR	1	1	1	1	1	1
039	4314Q031	STRAINER, 3/8 IN	1	1	1	1	1	1
040	4314Q032	STRAINER	1	1	1	1	1	1
041	43151301	SWITCH, PRESSURE	1	1	1	1	1	1
042	43158243	REACTOR, CH-101	1	1	1	1	1	1
043	43F19904	HOLDER, SENSOR (TS)	3	3	3	3	3	3
044	43F89160	CAP, WATERPROOF	1	1	1	1	1	1
045	43179165	CAP, WATERPROOF	4	4	4	4	4	4
046	43196113	BUSHING	2	2	2	2	2	2
047	43F32441	NIPPLE, DRAIN	1	1	1	1	1	1

## 14-2. Inverter Assembly



Location No.	Part No.	Description	Q'ty/Set RAV-GP			
			801AT-E 801AT-TR	801ATJ-E	1101AT-E 1401AT-E 1101AT-TR 1401AT-TR	1101ATJ-E 1401ATJ-E
701	4316V659	PC BOARD ASSY, MCC-1705	1	1	1	1
702	4316V550	PC BOARD ASSY, MCC-1646, DS	1	1	1	1
703	43150351	SENSOR, TD	1	1	1	1
704	43150355	SENSOR, TL	1	1	1	1
705	43150359	SENSOR, TE	1	1	1	1
706	43150369	SENSOR, TO	1	1	1	1
707	43150370	SENSOR, TS	1	1		
708	43150353	SENSOR, TS			1	1
709	43163055	HOLDER, SENSOR (TO)	1	1	1	1
710	43F63325	HOLDER, SENSOR (TE)	1	1	1	1
711	43F63321	HOLDER, SENSOR (TD)	1	1		
712	43F63322	HOLDER, SENSOR (TS)	1	1		
713	43160589	FUSE, 10A	1	1	1	1
714	43160607	TERMINAL BLOCK, 3P, 20A	1	1	1	1
715	43160609	TERMINAL BLOCK, 3P, 60A	1	1	1	1
716	43163059	SPACER, BUSH	1	1	1	1
717	43163066	SPACER, COLLAR	1	1	1	1

# **TOSHIBA CARRIER CORPORATION**

72-34 Horikawa-cho, Saiwai-ku, Kawasaki-shi, Kanagawa 212-8585, JAPAN

Copyright © 2018 TOSHIBA CARRIER CORPORATION, ALL Rights Reserved.