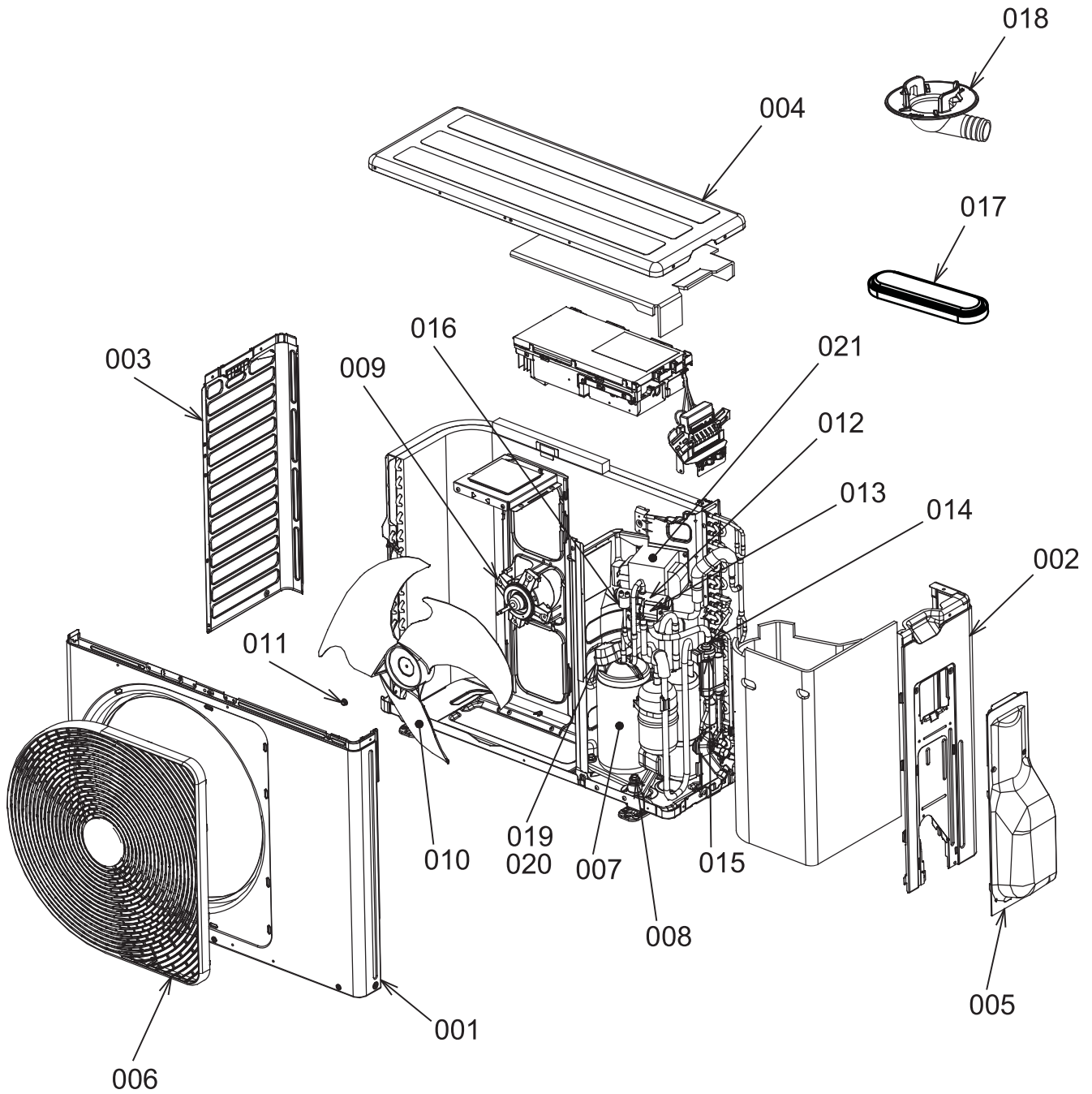


# 14 EXPLODED VIEWS AND PARTS LIST

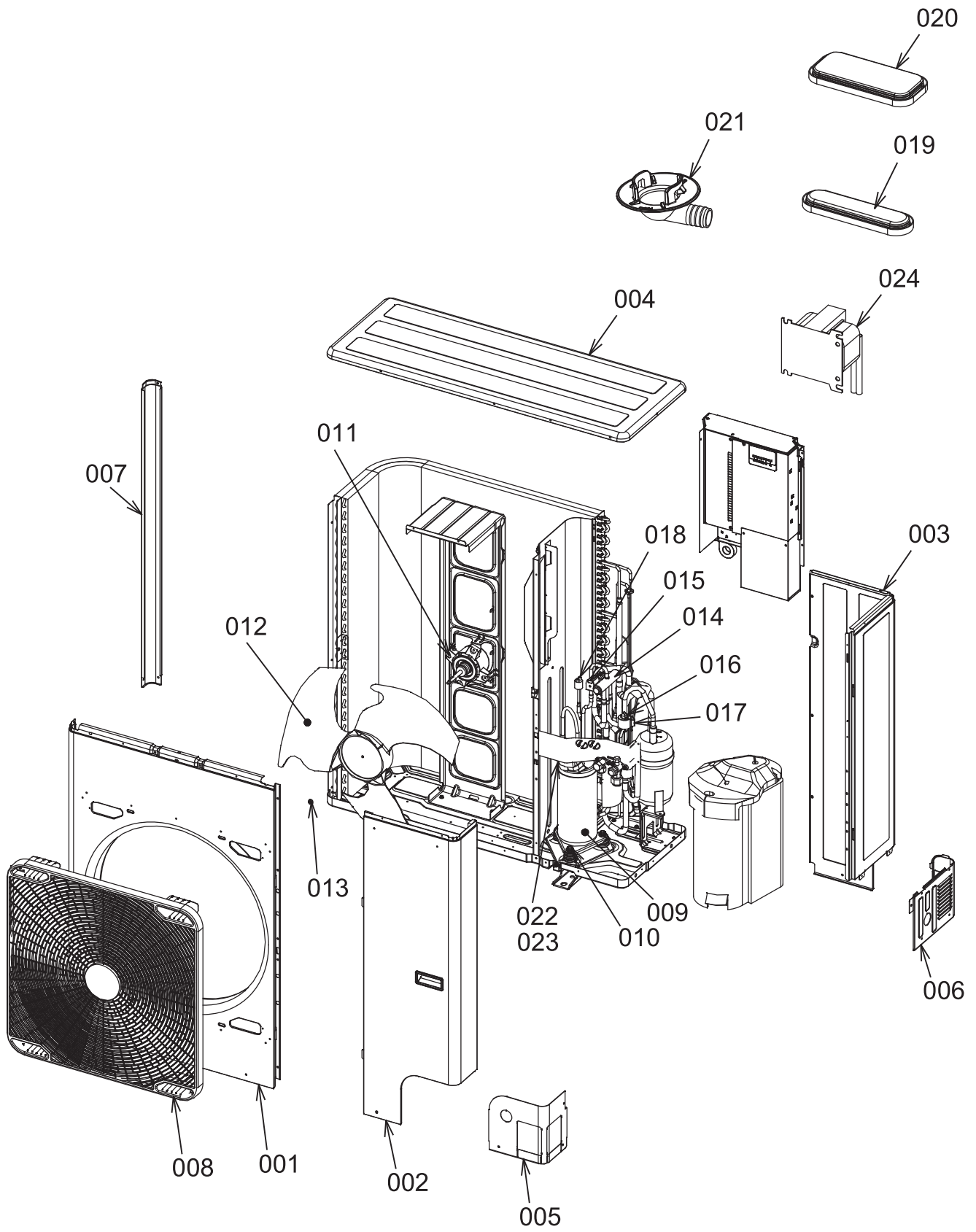
## 14-1. Outdoor Unit

RAV-GP561ATW-E, RAV-GP561ATW-TR



Location No.	Part No.	Description	Q'ty/Set RAV-GP	
			561ATW-E	561ATW-TR
001	43P00012	PANEL, AIR OUTLET, ASSY	1	1
002	43P00013	PANEL, SIDE, RIGHT, ASSY	1	1
003	43P00014	PANEL, SIDE, LEFT, ASSY	1	1
004	43P00015	PANEL, ROOF, ASSY	1	1
005	43P00016	COVER, PACKED, VALVE	1	1
006	43P19003	GUARD, FAN	1	1
007	43P42004	COMPRESSOR, ASSY (WITH COMPRESSOR LEAD)	1	1
008	43P42003	BOLT, COMPRESSOR	3	3
009	43P21002	MOTOR, FAN, ICF-140-A43-1	1	1
010	43P20002	FAN, PROPELLER, PJ441-E	1	1
011	43P97001	NUT, FLANGE	1	1
012	43P46014	VALVE, 4WAY, STF-H0218	1	1
013	43P46013	COIL, VALVE, 4WAY, STF-H01AZ1724A1	1	1
014	43P46008	VALVE, PMV, DPF1.5C-0.4	1	1
015	43P46009	COIL, PMV, PQ-M10012-000313	1	1
016	43P51004	SWITCH, PRESSURE, ACB-4UB154W	1	1
017	43P79008	CAP, WATER-PROOF	2	2
018	43P19002	NIPPLE, DRAIN	1	1
019	43P50007	THERMOSTAT, BIMETAL	1	1
020	43P42002	HOLDER, THERMO	1	1
021	43P58002	REACTOR, CH-102	1	1

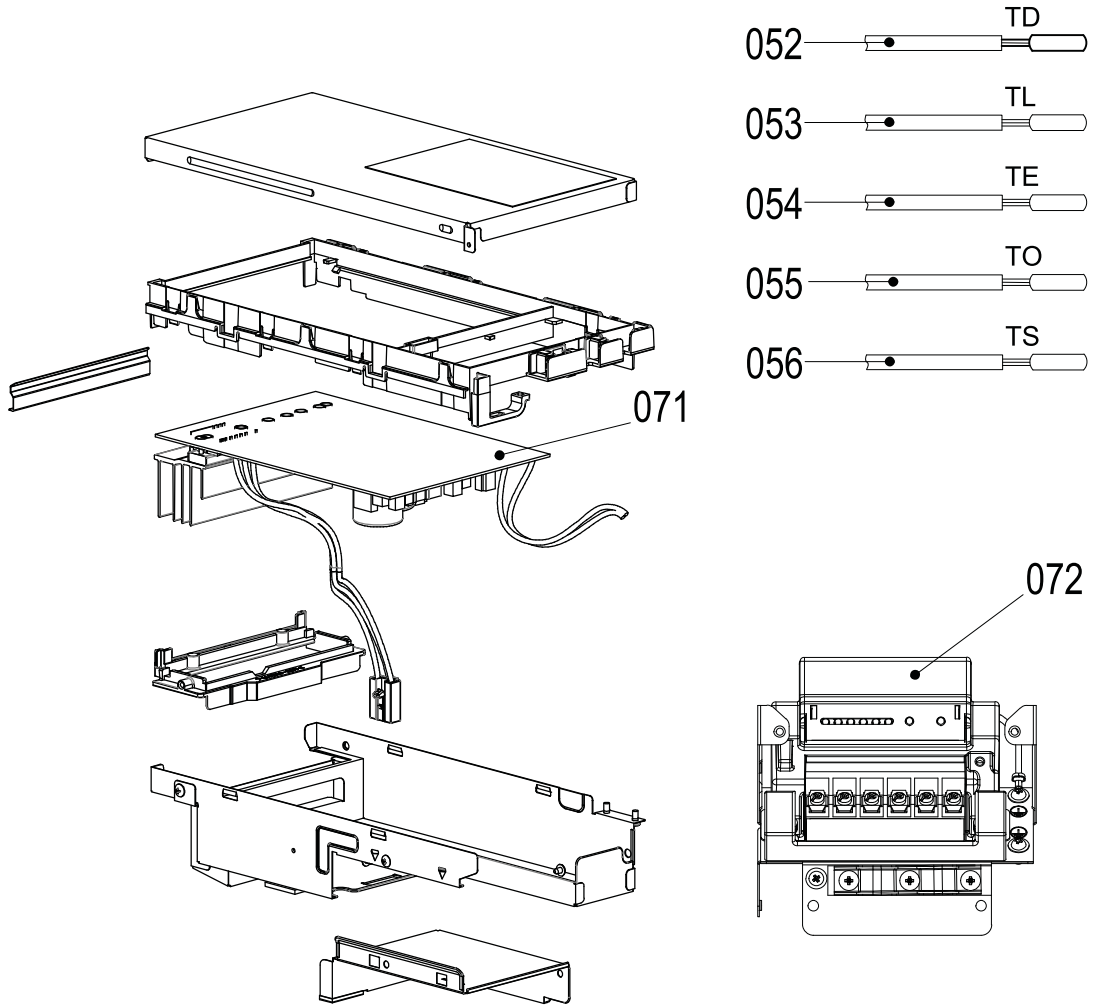
RAV-GP801ATW-E, RAV-GP801ATW-TR



Location No.	Part No.	Description	Q'ty/Set RAV-GP	
			801ATW-E	801ATW-TR
001	43P00005	PANEL, AIR OUTLET	1	1
002	43P00006	PANEL, FRONT, ASSY	1	1
003	43P00007	PANEL, SIDE, RIGHT, ASSY	1	1
004	43P00008	PANEL, ROOF, ASSY	1	1
005	43P00009	PANEL, FRONT, PIPING	1	1
006	43P00010	PANEL, BACK, PIPING, ASSY	1	1
007	43P00011	STAY	1	1
008	43P09001	GUARD, FAN	1	1
009	43P42006	COMPRESSOR, ASSY (WITH COMPRESSOR LEAD)	1	1
010	43P42001	BOLT, COMPRESSOR	3	3
011	43P21001	MOTOR, FAN, ICF-280-A60-1	1	1
012	43P20001	FAN, PROPELLER, PS561-E	1	1
013	43P97001	NUT, FLANGE	1	1
014	43P46014	VALVE, 4WAY, STF-H0218	1	1
015	43P46013	COIL, VALVE, 4WAY, STF-H01AZ1724A1	1	1
016	43P46001	VALVE, PMV, UKV-18D301	1	1
017	43P46002	COIL, PMV, UKV-A040	1	1
018	43P51005	SWITCH, PRESSURE, ACB-4UB83W	1	1
019	43P79008	CAP, WATERPROOF	1	1
020	43P79009	CAP, WATERPROOF	4	4
021	43P19002	NIPPLE, DRAIN	1	1
022	43P50007	THERMOSTAT, BIMETAL	1	1
023	43P42002	HOLDER, THERMO	1	1
024	43P58001	REACTOR, CH-101	1	1

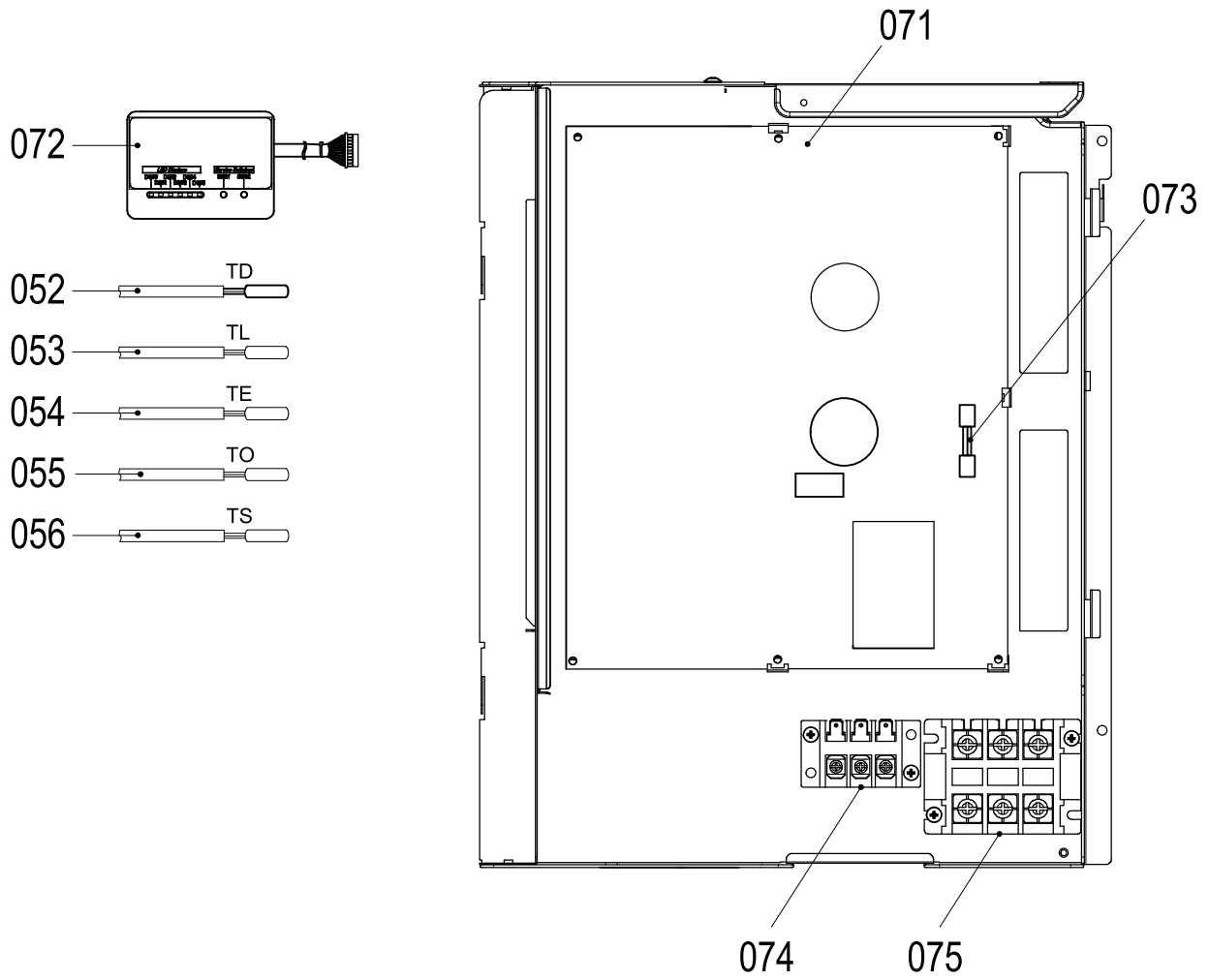
# 14-2. Inverter Assembly

RAV-GP561ATW-E, RAV-GP561ATW-TR



Location No.	Part No.	Description	Q'ty/Set RAV-GP	
			561ATW-E	561ATW-TR
052	43P50012	SENSOR, TD	1	1
053	43P50013	SENSOR, TL	1	1
054	43P50010	SENSOR, TE	1	1
055	43P50004	SENSOR, TO	1	1
056	43P50011	SENSOR, TS	1	1
071	43P69008	PC BOARD ASSY, MCC1768	1	1
072	43P69002	PC BOARD ASSY, MCC1646, TERMINAL BLOCK	1	1

**RAV-GP801ATW-E, RAV-GP801ATW-TR**



Location No.	Part No.	Description	Q'ty/Set RAV-GP	
			801ATW-E	801ATW-TR
052	43P50002	SENSOR, TD	1	1
053	43P50003	SENSOR, TL	1	1
054	43P50004	SENSOR, TE	1	1
055	43P50005	SENSOR, TO	1	1
056	43P50006	SENSOR, TS	1	1
071	43P69009	PC BOARD ASSY, MCC1705	1	1
072	43P69007	PC BOARD ASSY, MCC1646	1	1
073	43P60001	FUSE, 10A	1	1
074	43P60002	TERMINAL BLOCK, 3P, 20A	1	1
075	43P60003	TERMINAL BLOCK, 3P, 60A	1	1