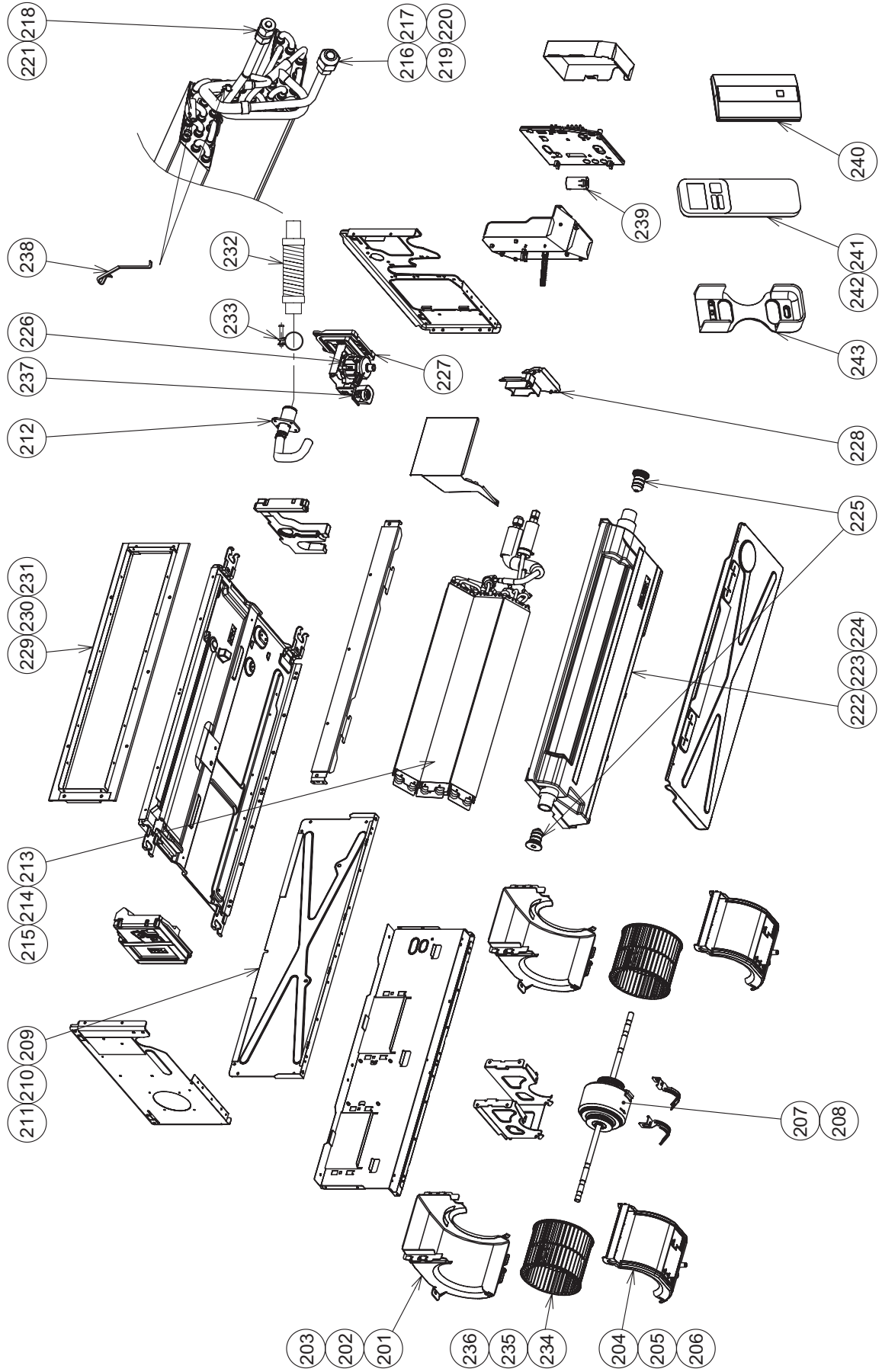
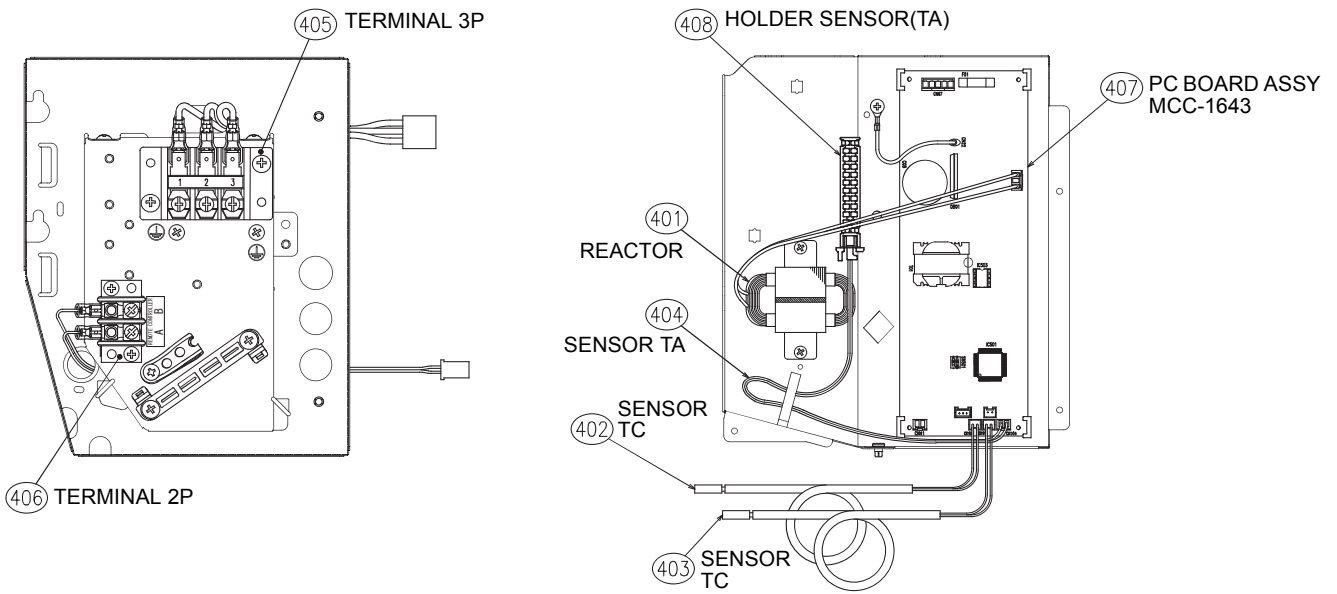


R32 or R410A Model



Location No.	Part No.	Description	Q'ty/Set					
			RAS-M**U2DVG-E, RAS-M**U2DVG-TR					
			07	10	13	16	22	24
201	43H22003	CASE, FAN, UPPER	2	2	2			
202	43H22004	CASE, FAN, UPPER				2		
203	43H22005	CASE, FAN, UPPER					2	2
204	43H22006	CASE, FAN, LOWER	2	2	2			
205	43H22007	CASE, FAN, LOWER				2		
206	43H22008	CASE, FAN, LOWER					2	2
207	43H21004	MOTOR, FAN	1	1	1	1	1	1
208	43H21007	MOTOR, FAN						
209	43H00021	PLATE, INLET	1	1	1			
210	43H00022	PLATE, INLET				1		
211	43H00023	PLATE, INLET					1	1
212	43H70001	HOSE, DRAIN	1	1	1	1	1	1
213	43H44018	REFRIGERATION CYCLE ASSY	1	1	1			
214	43H44019	REFRIGERATION CYCLE ASSY				1		
215	43H44020	REFRIGERATION CYCLE ASSY					1	1
216	43H49027	SOCKET	1	1	1			
217	43H49028	SOCKET				1	1	1
218	43H49029	SOCKET	1	1	1	1	1	1
219	43H49030	NUT, FLARE	1	1	1			
220	43H49031	NUT, FLARE				1	1	1
221	43H49032	NUT, FLARE	1	1	1	1	1	1
222	43H72001	PAN ASSY, DRAIN	1	1	1			
223	43H72002	PAN ASSY, DRAIN				1		
224	43H72003	PAN ASSY, DRAIN					1	1
225	43H79001	CAP, DRAIN	2	2	2	2	2	2
226	43H77001	PUMP, DRAIN	1	1	1	1	1	1
227	43H19006	COVER ASSY, SIDE	1	1	1	1	1	1
228	43H19007	COVER, PIPE	1	1	1	1	1	1
229	43H00024	FLANGE, OUTLET	1	1	1			
230	43H00025	FLANGE, OUTLET				1		
231	43H00026	FLANGE, OUTLET					1	1
232	43H70002	HOSE, DRAIN	1	1	1	1	1	1
233	43H79002	BAND, HOSE	1	1	1	1	1	1
234	43H20006	FAN, MULTI BLADE	2	2	2			
235	43H20007	FAN, MULTI BLADE				2		
236	43H20008	FAN, MULTIBLADE					2	2
237	43H51002	SWITCH, FLOAT	1	1	1	1	1	1
238	43H47008	HOLDER, SENSOR(TC)	2	2	2	2	2	2
239	43H60006	FILTER, NOISE	1	1	1	1	1	1
240	43H58011	UNIT, SIGNAL RECEIVING	1	1	1	1	1	1
241	43H66001	REMOTE CONTROLLER, WIRELESS	1	1	1	1		
242	43H66003	REMOTE CONTROLLER, WIRELESS					1	1
243	43H66002	HOLDER, REMOTE CONTROL	1	1	1	1	1	1

13-2. E-parts



Location No.	Part No.	Description	Q'ty/Set														
			RAS-M**G3DV-E				RAS-M**G3DV-ND				RAS-M**G3DV-TR						
			07	10	13	16	07	10	13	16	07	10	13	16			
401	43H58010	REACTOR	1	1	1	1	1	1	1	1	1	1	1	1	1	1	1
402	43H50010	SENSOR,TC	1	1	1	1	1	1	1	1	1	1	1	1	1	1	1
403	43H50011	SENSOR,TC	1	1	1	1	1	1	1	1	1	1	1	1	1	1	1
404	43H50012	SENSOR,TA	1	1	1	1	1	1	1	1	1	1	1	1	1	1	1
405	43H60013	TERMINAL,3P	1	1	1	1	1	1	1	1	1	1	1	1	1	1	1
406	43H60014	TERMINAL,2P	1	1	1	1	1	1	1	1	1	1	1	1	1	1	1
407	43H69018	PC BOARD ASSY, MCC-1643	1				1						1				
407	43H69019	PC BOARD ASSY, MCC-1643		1				1						1			
407	43H69020	PC BOARD ASSY, MCC-1643			1				1						1		
407	43H69021	PC BOARD ASSY, MCC-1643				1				1							1
408	43H63001	HOLDER,SENSOR(TA)	1	1	1	1	1	1	1	1	1	1	1	1	1	1	1

Location No.	Part No.	Description	Q'ty/Set					
			RAS-M**U2DVG-E					
			RAS-M**U2DVG-TR					
			07	10	13	16	22	24
401	43H58010	REACTOR	1	1	1	1	1	1
402	43H50010	SENSOR,TC	1	1	1	1	1	1
403	43H50011	SENSOR,TC	1	1	1	1	1	1
404	43H50012	SENSOR,TA	1	1	1	1	1	1
405	43H60013	TERMINAL,3P	1	1	1	1	1	1
406	43H60014	TERMINAL,2P	1	1	1	1	1	1
407	43H69018	PC BOARD ASSY, MCC-1643	1					
407	43H69019	PC BOARD ASSY, MCC-1643		1				
407	43H69020	PC BOARD ASSY, MCC-1643			1			
407	43H69021	PC BOARD ASSY, MCC-1643				1		
407	43H69032	PC BOARD ASSY, MCC-1643					1	
407	43H69033	PC BOARD ASSY, MCC-1643						1
408	43H63001	HOLDER,SENSOR(TA)	1	1	1	1	1	1

Toshiba Carrier Air Conditioning (China) Co., Ltd.

**Building 1, No.60, 21st Avenue, Baiyang Street,
Hangzhou Economic and Technological Development Area, China**

Revision record

First issue	—	—	Sep.2014
Revision 1	Change of knockout hole diameter	Page 14	Mar.2015
Revision 2	Drain pan assy changes	P14,49,51,55,85	Oct.2017
Revision 3	R32 model adds R32 refrigerant description of content adds	—	Mar.2018